



US00D753661S

(12) **United States Design Patent**
Daniel

(10) **Patent No.:** **US D753,661 S**
(45) **Date of Patent:** **** Apr. 12, 2016**

(54) **ETHERNET BRIDGE DATACOM PLUG ADAPTER**

(71) Applicant: **Isaac S. Daniel**, Miramar, FL (US)

(72) Inventor: **Isaac S. Daniel**, Miramar, FL (US)

(**) Term: **14 Years**

(21) Appl. No.: **29/514,601**

(22) Filed: **Jan. 14, 2015**

(51) **LOC (10) Cl.** **14-02**

(52) **U.S. Cl.**

USPC **D14/433**

(58) **Field of Classification Search**

USPC D14/356, 432-434, 453, 454, 511,
D14/203.8, 209.1, 238.1, 240, 125;
439/638, 928, 105, 502; 710/303, 304;
361/679.41, 679.55, 679.56; D13/110,
D13/133, 146

CPC ... G06Q 20/202; G06Q 20/322; G06Q 20/32;
G06Q 20/20; G06Q 20/327

See application file for complete search history.

(56) **References Cited**

U.S. PATENT DOCUMENTS

D559,848 S * 1/2008 Siu D14/433
D595,223 S * 6/2009 Yamamoto D13/108
D604,725 S * 11/2009 Chen D13/184
D618,225 S * 6/2010 Tong D13/133

D624,548 S * 9/2010 Yamamoto D14/433
D627,784 S * 11/2010 Yamamoto D14/433
D653,213 S * 1/2012 Andre D13/138.1
D670,291 S * 11/2012 Dalton D14/433
D677,221 S * 3/2013 McSweyn D13/108
D683,314 S * 5/2013 Andre D13/108
D714,293 S * 9/2014 Kelly D14/433
D721,374 S * 1/2015 Liu D14/433
D727,907 S * 4/2015 Higashi D14/433
D729,160 S * 5/2015 Levy D13/110
D740,291 S * 10/2015 Turksu D14/433
D741,865 S * 10/2015 Sundermeyer D14/433
2007/0229025 A1 * 10/2007 Tsai H01R 13/2442
320/111

* cited by examiner

Primary Examiner — Austin Murphy

(74) *Attorney, Agent, or Firm* — Carol N. Green Kaul, Esq.

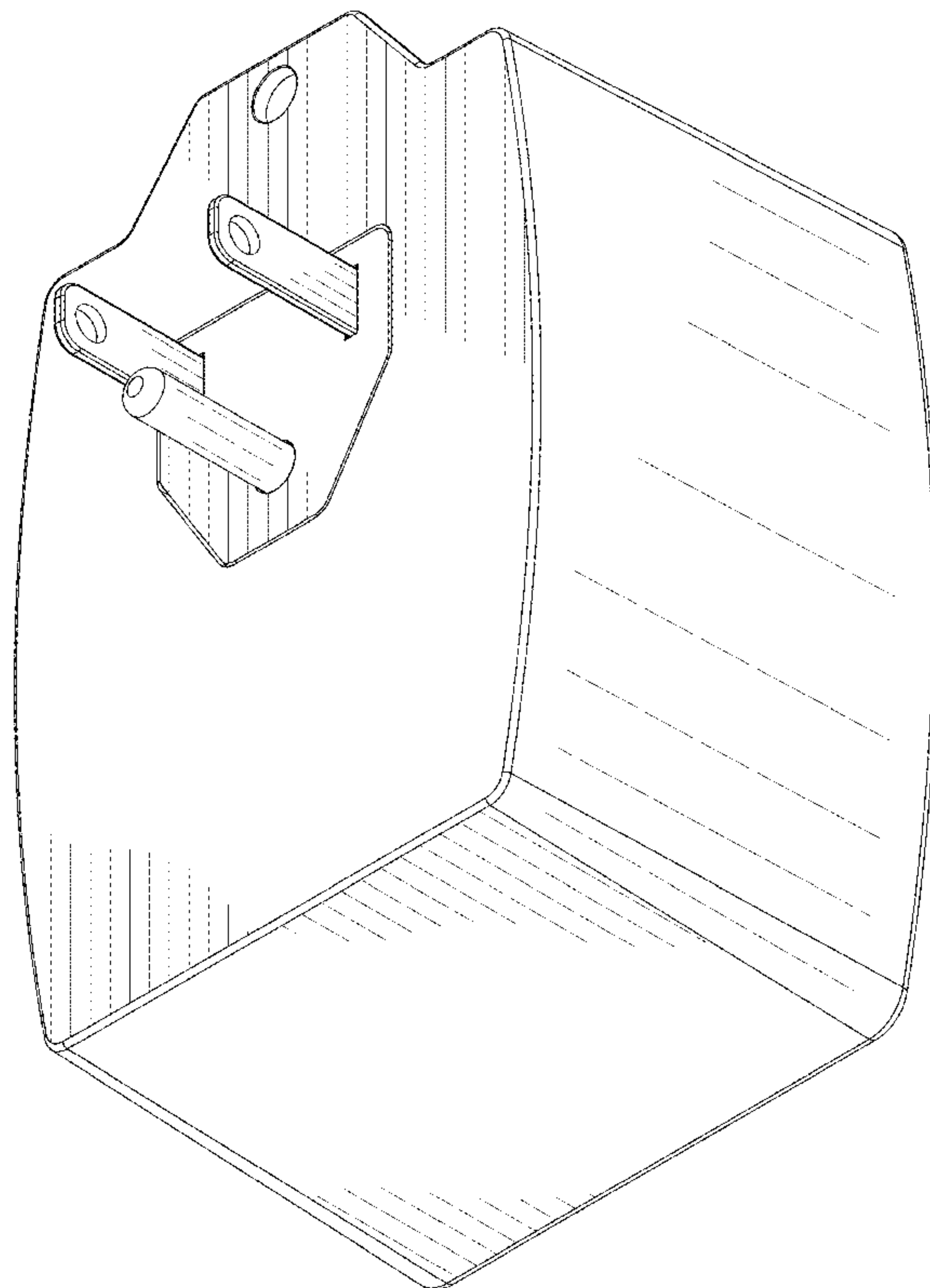
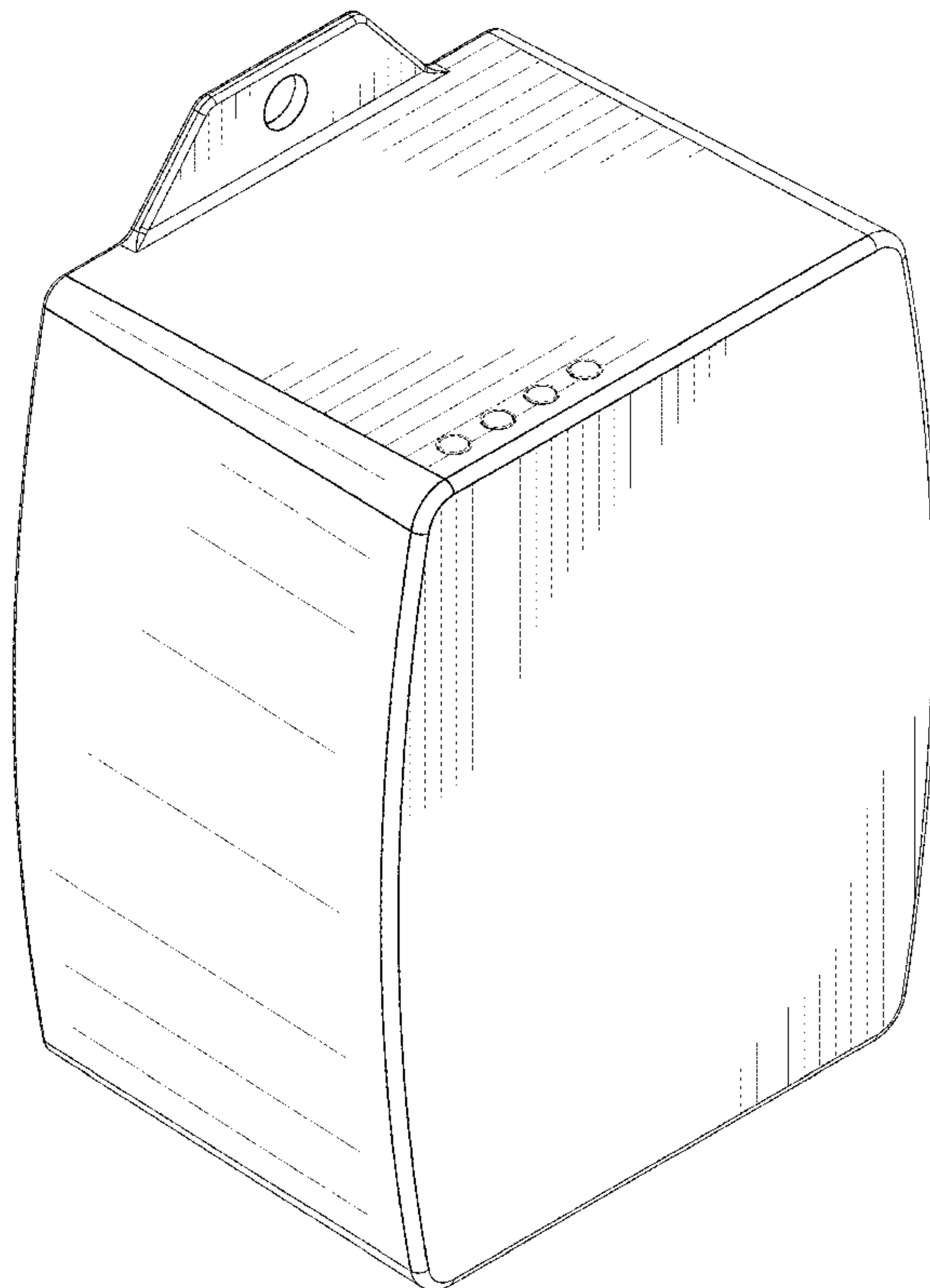
(57) **CLAIM**

The ornamental design for an ethernet bridge datacom plug adapter, as shown and described.

DESCRIPTION

FIG. 1 is a front perspective view of the invention.
FIG. 2 is a rear perspective view of the invention.
FIG. 3 is a top perspective view of the invention.
FIG. 4 is a bottom perspective view of the invention.
FIG. 5 is a right side perspective view of the invention.
FIG. 6 is a front plan view of the invention; and,
FIG. 7 is a rear plan view of the invention.

1 Claim, 7 Drawing Sheets



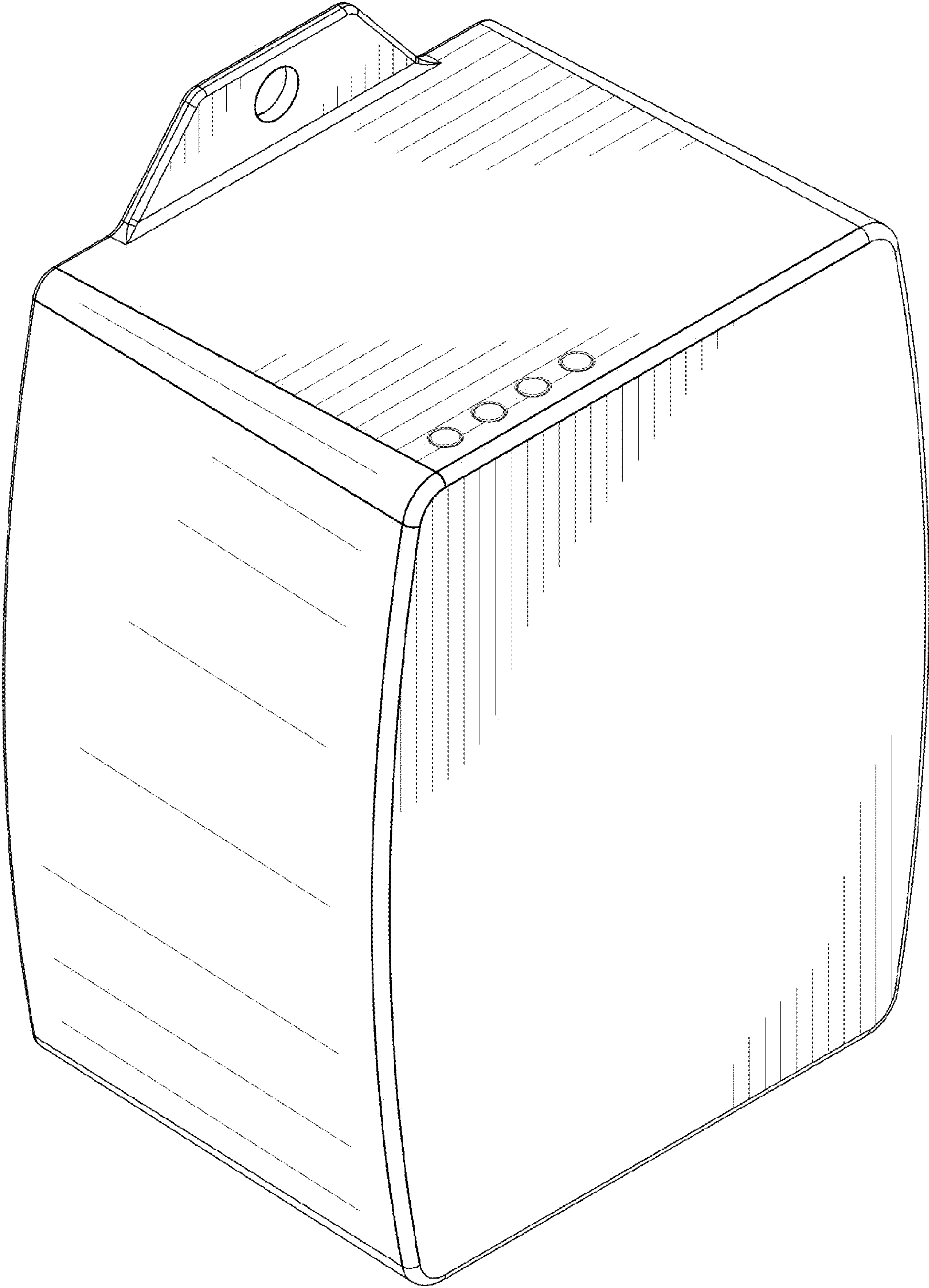


FIG. 1

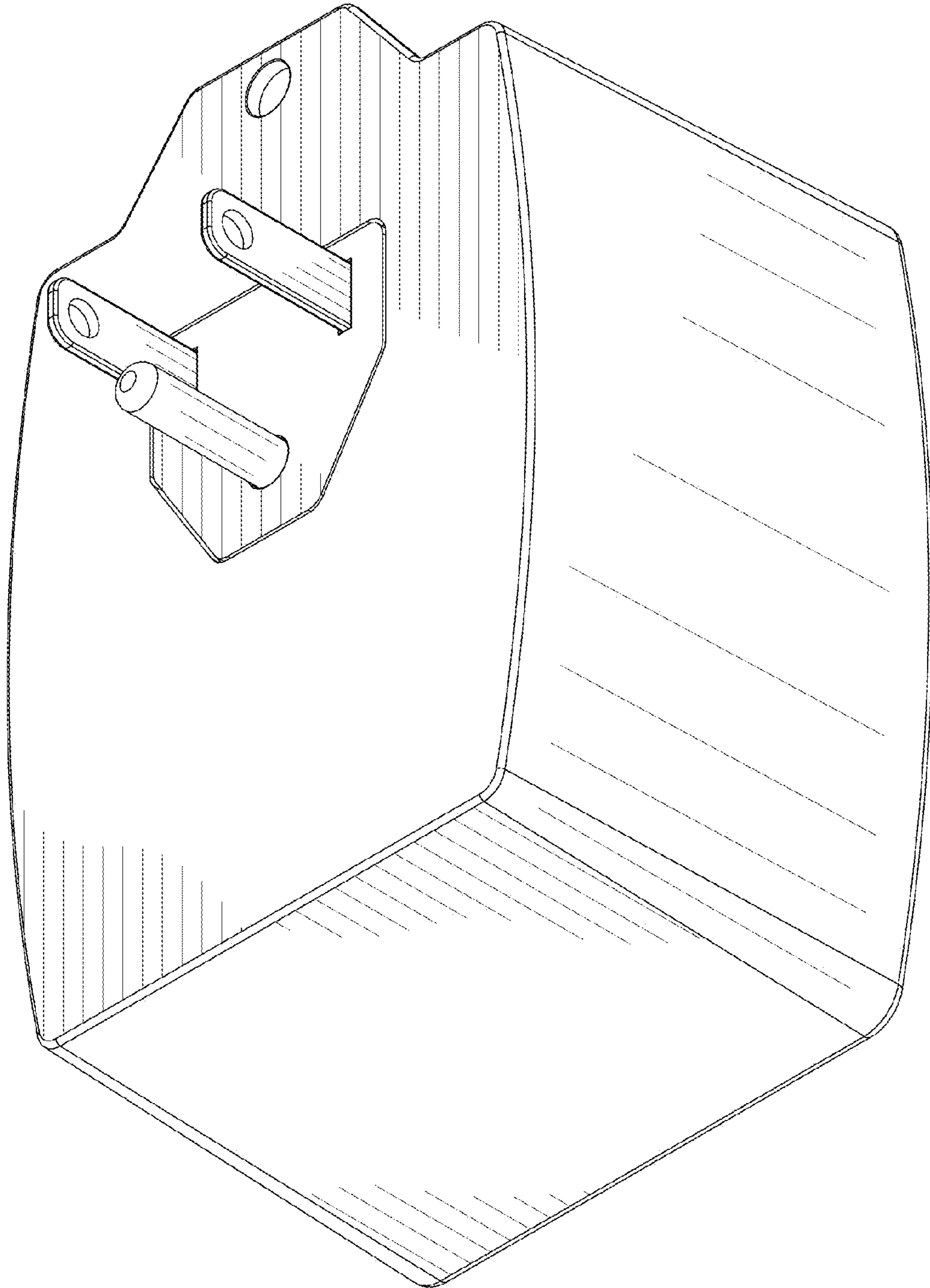


FIG. 2

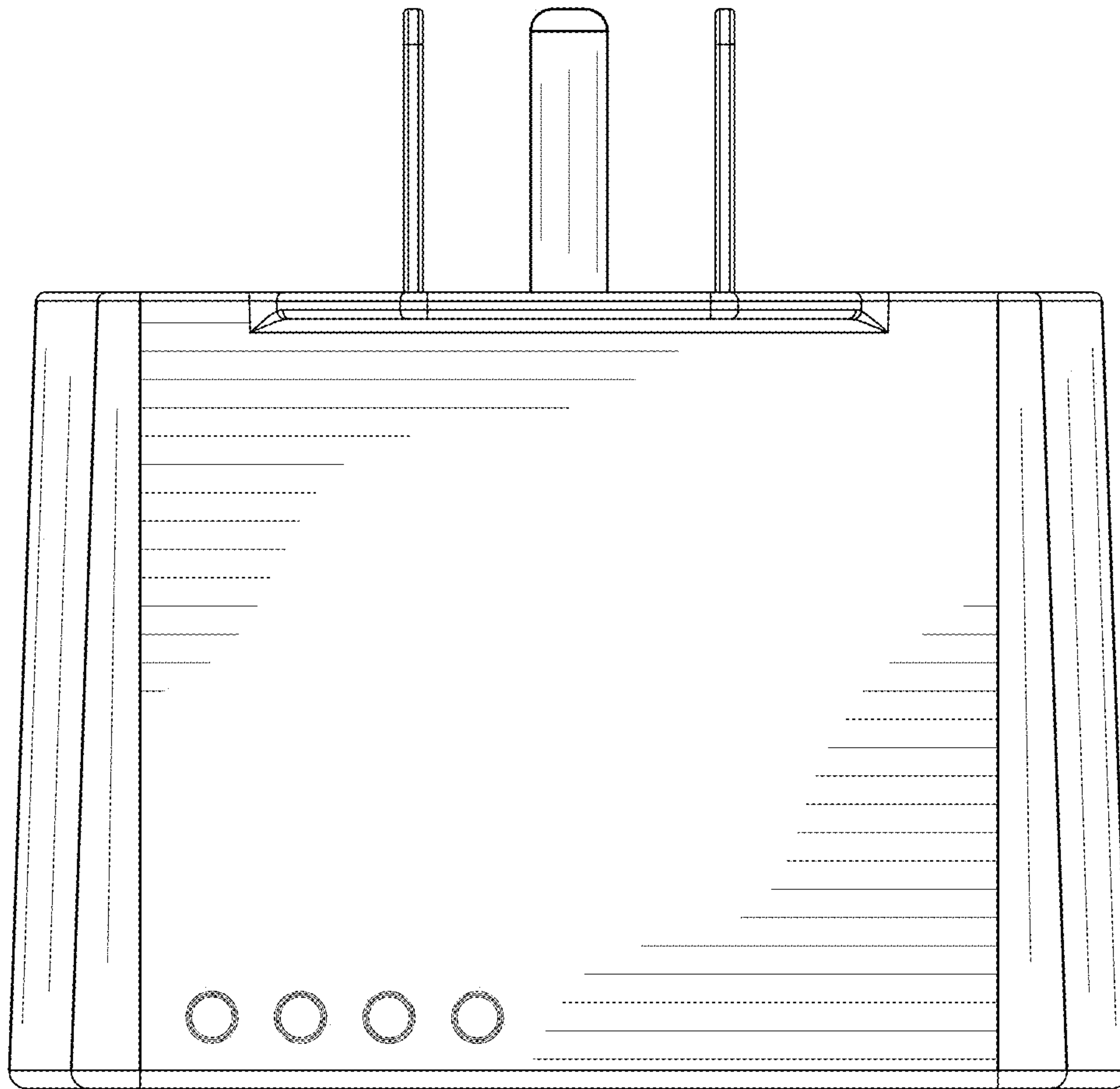


FIG. 3

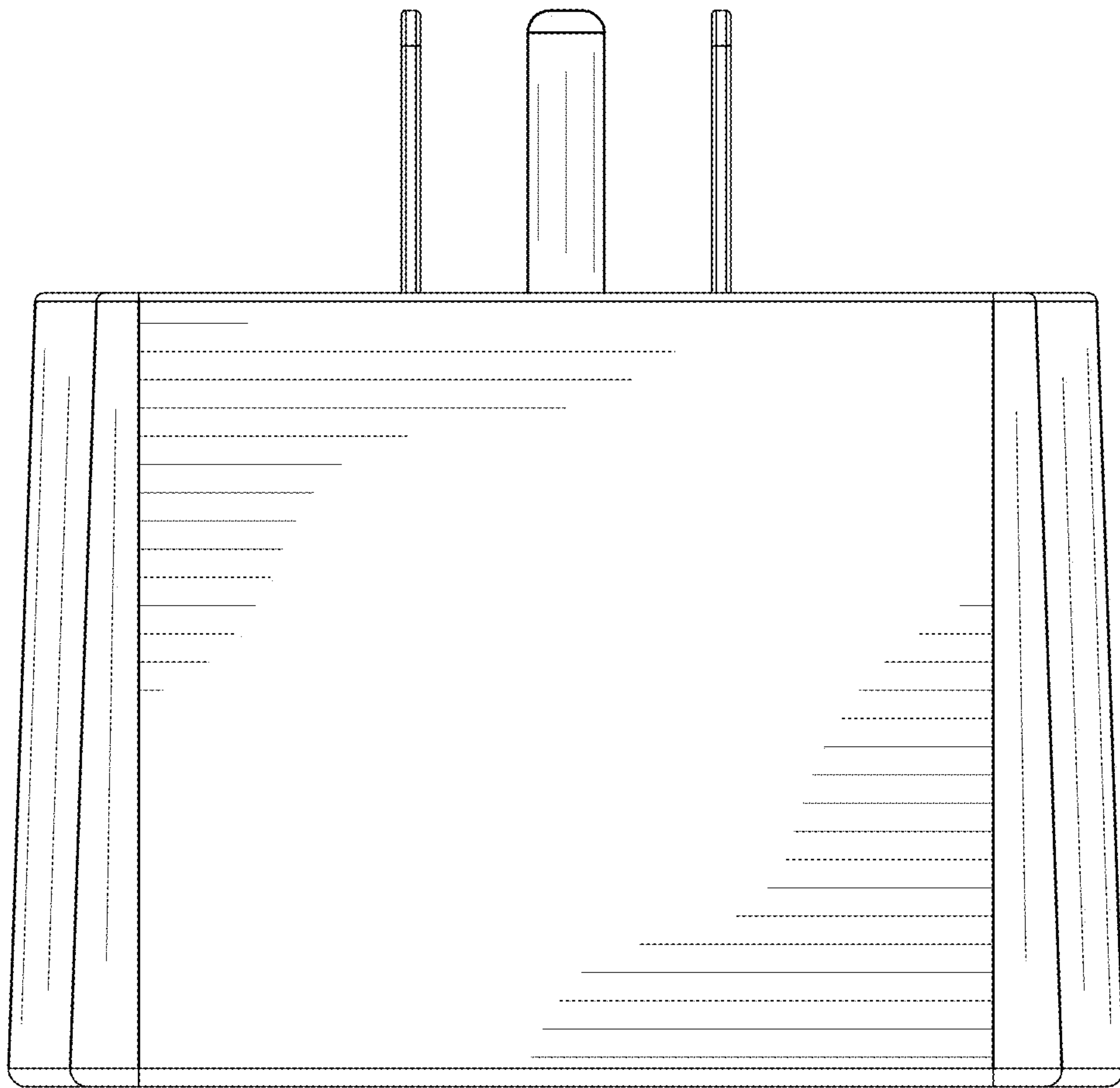


FIG. 4

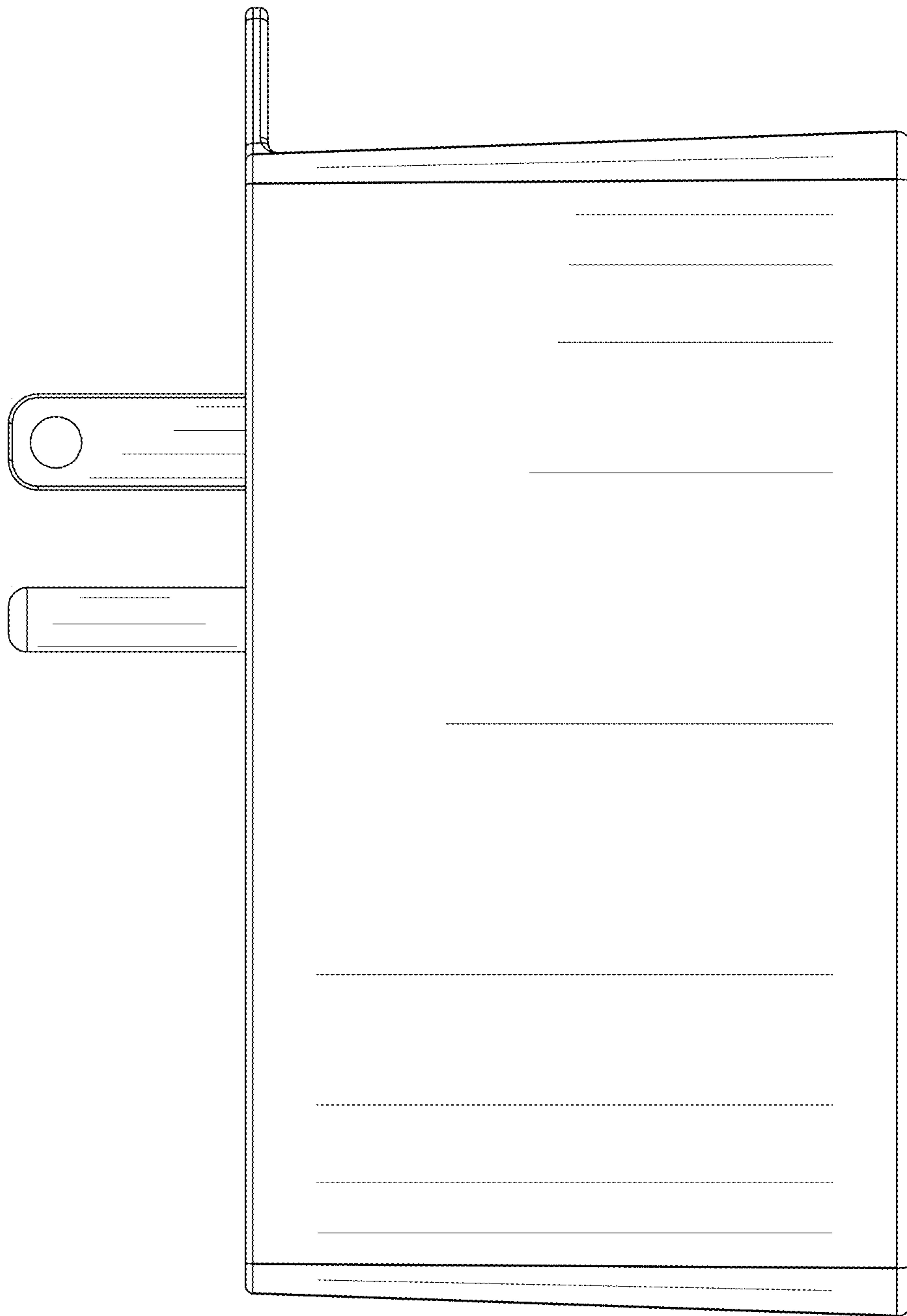


FIG. 5

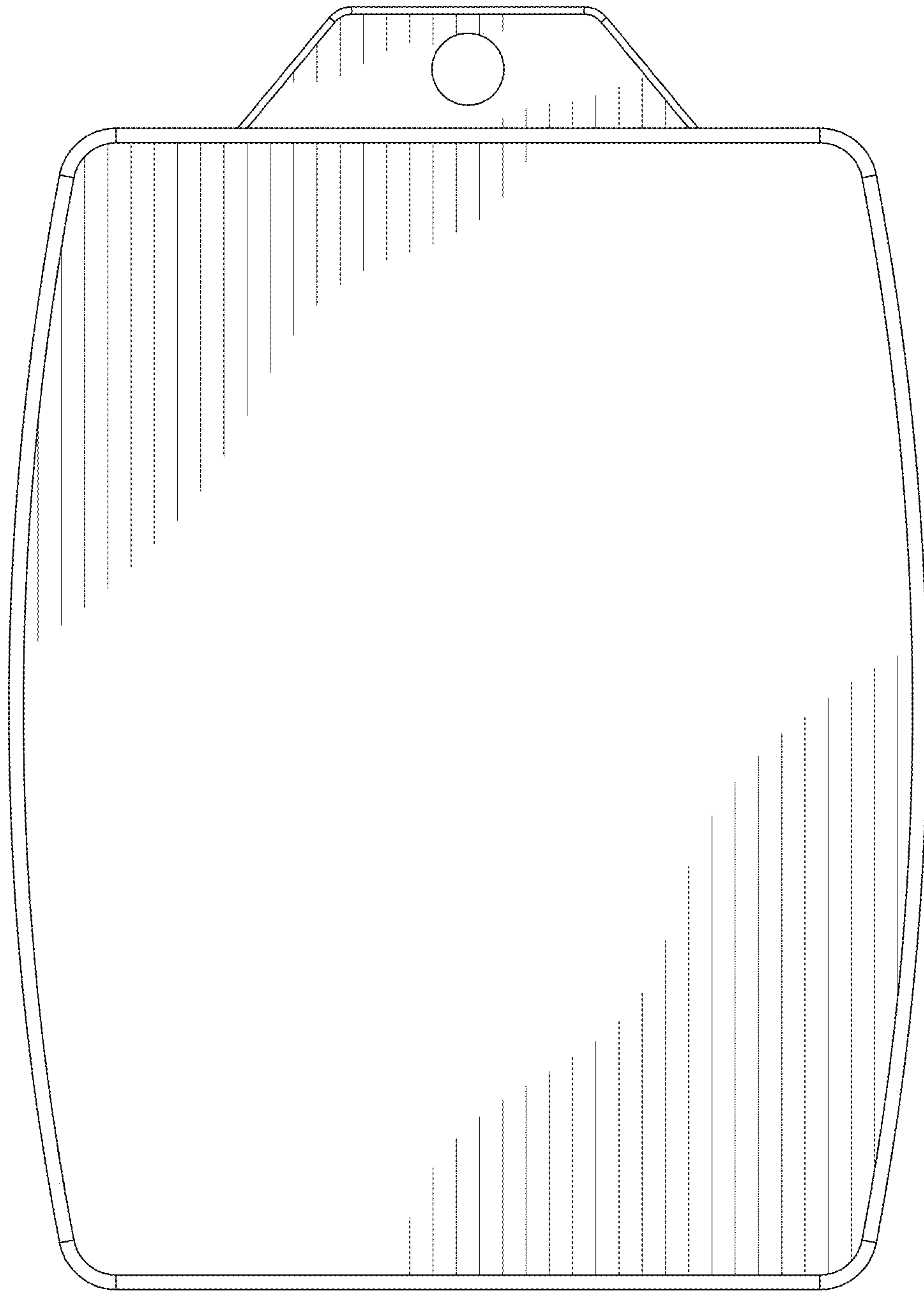


FIG. 6

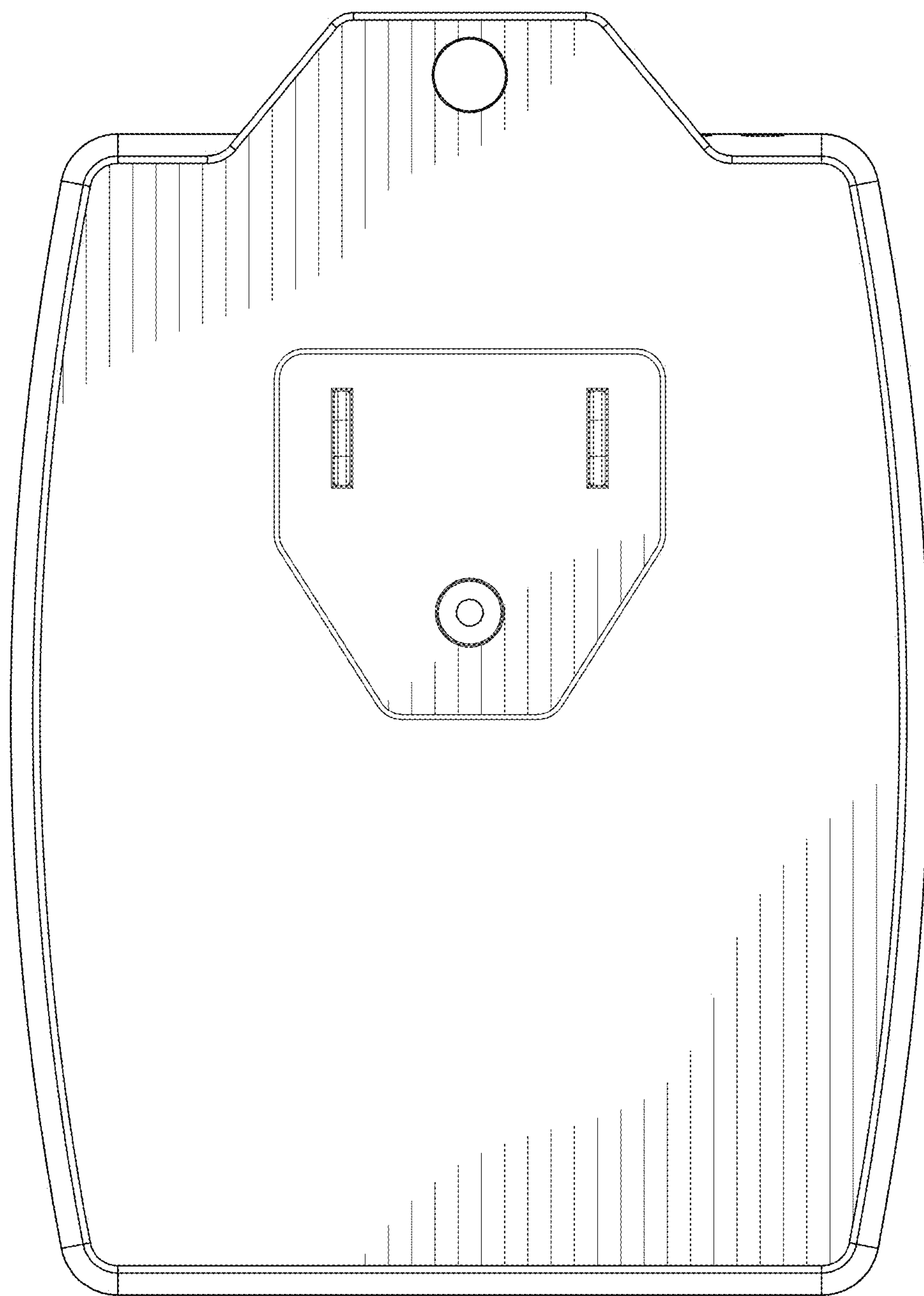


FIG. 7