



US00D753660S

(12) **United States Design Patent**
Zhou et al.

(10) **Patent No.:** **US D753,660 S**
(45) **Date of Patent:** **** Apr. 12, 2016**

(54) **INDICIA SCANNER**

(71) Applicant: **Hand Held Products, Inc.**, Fort Mill, SC (US)

(72) Inventors: **Peng Zhou**, Suzhou (CN); **Timothy R. Fitch**, Syracuse, NY (US); **Hao Xu**, Suzhou (CN)

(73) Assignee: **Hand Held Products, Inc.**, Fort Mill, SC (US)

(**) Term: **15 Years**

(21) Appl. No.: **29/532,816**

(22) Filed: **Jul. 10, 2015**

Related U.S. Application Data

(63) Continuation of application No. 29/492,903, filed on Jun. 4, 2014, now Pat. No. Des. 734,339.

(30) **Foreign Application Priority Data**

Dec. 5, 2013 (CN) 2013 3 0600382

(51) **LOC (10) Cl.** **14-02**

(52) **U.S. Cl.**
USPC **D14/428**

(58) **Field of Classification Search**

USPC D14/420, 426-430, 453, 346, 341, 347, D14/412, 138; D13/107, 184; 358/473; 235/462.43, 462.45, 462.47, 462.48, 235/462.44, 462.46, 487, 472.01, 472.02, 235/145 A, 145 R; D10/78; 324/426; D3/273; 710/73; D18/7; 361/679, 728, 361/679.56; 382/313, 321; 455/575.1, 561, 455/572; 345/156, 168, 169, 172, 173, 87; 705/17, 18, 22-25

CPC G06F 1/626; G06F 1/1626; G06F 1/1656; G06F 1/1632; G06F 1/1684; G06F 1/1635; G06F 8/63; G06F 17/30091; G06F 9/4401; G06K 7/10881; G06K 7/1098; G06K 7/10722; G06K 7/1404; G06K 7/0004; G06K 7/10633; G06K 7/10851; G06K 7/1091; G06K 7/1092;

G06K 7/1093; G06K 7/10; G06K 7/109; G06K 7/1417; G06K 9/228; G06K 17/0022; G06K 17/00; G06K 2207/1011; G06K 2207/1013; G06K 2207/1016; G06K 2207/1018; G06K 2017/0051; G06K 2017/0067; G06K 2007/10524; G07G 1/0081; G07G 1/009; G06Q 20/20; G06Q 20/201; G06Q 20/202; G06Q 20/203; G06Q 20/30; G06Q 20/32; G06Q 20/322; G06Q 20/4014; G06Q 10/087; H04N 1/00127; H04N 1/00135; H04N 1/00326; H04N 1/00334; H04N 1/00307; H04N 1/107; H04N 2201/0084; H04N 2101/00; H04M 1/0249; H04M 1/0262; H04M 1/0266; H04M 1/18; H04M 1/23; H04M 1/236; H04B 1/3827; H04B 1/3833; H04B 1/3877; H04B 1/3883; H04B 1/3888; H04B 2001/3894; H01M 2/1066

See application file for complete search history.

(56) **References Cited**

U.S. PATENT DOCUMENTS

D362,435 S * 9/1995 Charych D14/428
5,475,206 A * 12/1995 Reddersen G06K 7/10653
235/462.39

(Continued)

Primary Examiner — Susan Moon Lee

(74) *Attorney, Agent, or Firm* — Additon, Higgins & Pendleton, P.A.

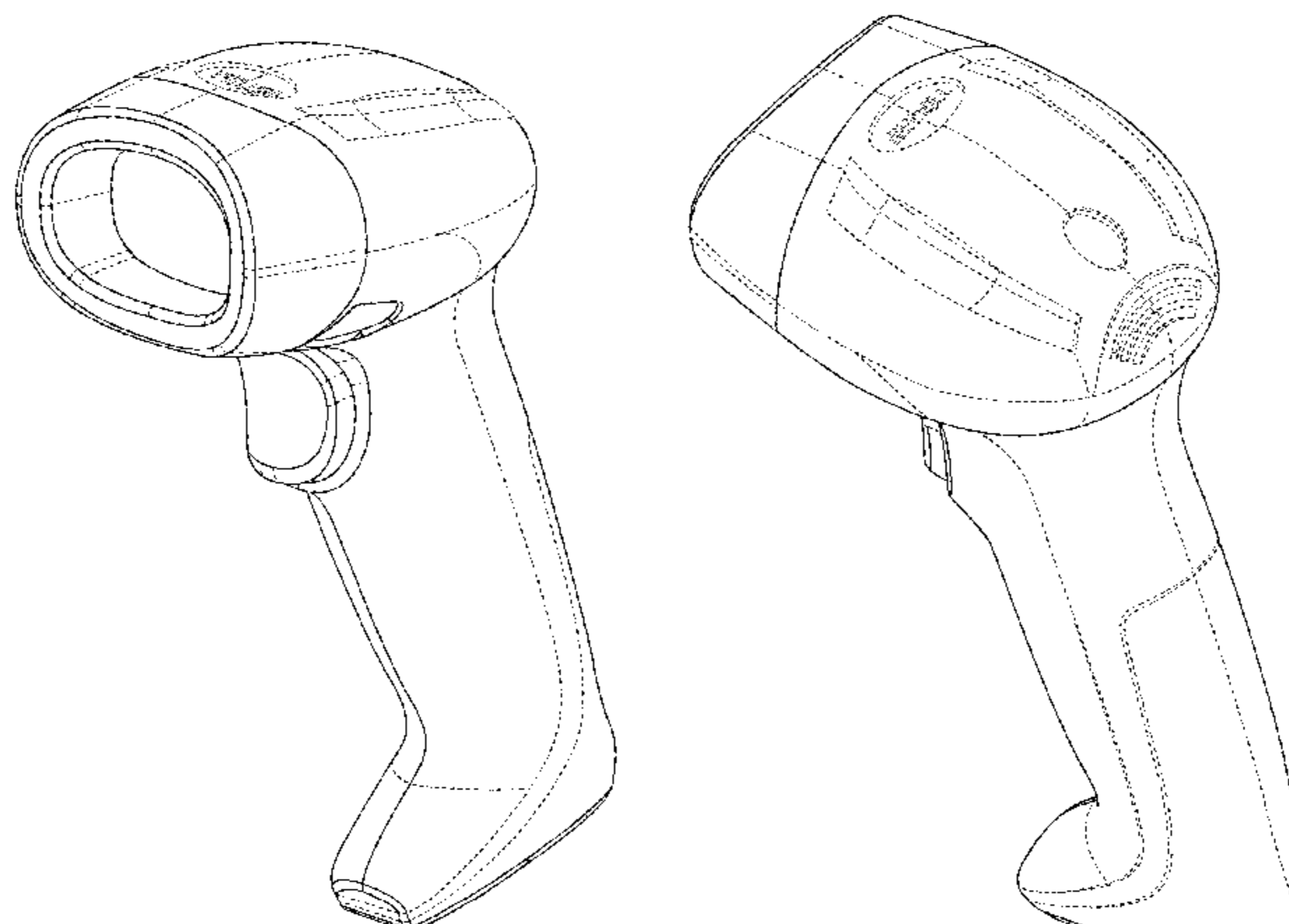
(57) **CLAIM**

The ornamental design for an indicia scanner, as shown and described.

DESCRIPTION

FIG. 1 is a first perspective view of an indicia scanner; FIG. 2 is a front elevation view thereof; FIG. 3 is a rear elevation view thereof; FIG. 4 is a left side elevation view thereof; FIG. 5 is a right side elevation view thereof; FIG. 6 is a top plan view thereof; FIG. 7 is a bottom view thereof; FIG. 8 is a second perspective view thereof; FIG. 9 is a third perspective view thereof; and, FIG. 10 is a fourth perspective view thereof. Singular broken lines and unshaded portions contained within broken lines are not claimed.

1 Claim, 10 Drawing Sheets



(56)

References Cited

U.S. PATENT DOCUMENTS

5,850,078	A *	12/1998	Giordano	G06K 7/10881	235/462.27	2002/0125323	A1 *	9/2002	Marrs, Jr.	G06K 7/10881	235/462.45
D414,171	S *	9/1999	Swift	D14/428		2002/0148902	A1 *	10/2002	Schlieffers	G06K 7/10881	235/472.01
6,000,619	A *	12/1999	Reddersen	G06K 7/10653	235/462.43	2004/0094627	A1 *	5/2004	Parker	G06K 7/10544	235/472.01
D418,500	S *	1/2000	Giordano	D14/429		2004/0134990	A1 *	7/2004	Fitch	G06K 7/10881	235/472.01
D446,524	S *	8/2001	Bontly	D14/426		2005/0023358	A1 *	2/2005	Byun	G07G 1/0045	235/462.45
6,321,990	B1 *	11/2001	Giordano	G06K 7/10633	235/462.45	2006/0027657	A1 *	2/2006	Ninnink	G06K 7/14	235/454
6,352,204	B2 *	3/2002	Hattersley	235/454		2006/0032921	A1 *	2/2006	Gerst, III	G06K 7/10851	235/455
D459,728	S *	7/2002	Roberts	D14/428		2006/0131419	A1 *	6/2006	Nunnink	G06K 7/10732	235/472.02
6,442,180	B1 *	8/2002	Gurrieri	G06K 7/10881	372/9	2007/0090193	A1 *	4/2007	Nunnink	G06K 7/10732	235/473
D470,145	S *	2/2003	Schlieffers	D14/428		2007/0091332	A1 *	4/2007	Nunnink	G06K 7/10732	358/1.6
6,517,003	B2 *	2/2003	Vassura	G06K 1/10881	235/462.45	2007/0119939	A1 *	5/2007	Epshteyn	G06K 7/10712	235/462.08
D518,057	S *	3/2006	Johnson	D14/428		2007/0176003	A1 *	8/2007	Brock	G06K 7/10801	235/462.24
7,059,528	B2 *	6/2006	Barkan	G06K 7/10693	235/462.01	2007/0199996	A1 *	8/2007	He	G06K 7/12	235/462.43
D538,285	S *	3/2007	MacGregor	D14/428		2008/0156880	A1 *	7/2008	Vinogradov	G06K 7/10732	235/462.42
D541,283	S *	4/2007	MacGregor	D14/428		2008/0179402	A1 *	7/2008	Barkan	G06K 7/10722	235/462.41
D556,761	S *	12/2007	MacGregor	D14/428		2008/0191022	A1 *	8/2008	Barkan	G06K 7/14	235/462.01
D562,825	S *	2/2008	Fitch	D14/426		2008/0265035	A1 *	10/2008	Vinogradov	G06K 7/10722	235/462.41
D570,843	S *	6/2008	Mazzone	D14/426		2008/0290169	A1 *	11/2008	Gurevich	G06K 7/10811	235/462.2
D574,832	S *	8/2008	MacGregor	D14/428		2009/0050701	A1 *	2/2009	Wang	G06K 9/00456	235/462.41
7,461,790	B2 *	12/2008	McQueen	G03B 7/093	235/454	2009/0078773	A1 *	3/2009	Carlson	G06K 7/10722	235/462.24
D588,596	S *	3/2009	Mazzone	D14/426		2009/0078774	A1 *	3/2009	He	G06K 7/10722	235/462.41
7,527,515	B1 *	5/2009	Olson	H01R 13/6272	310/50	2009/0084847	A1 *	4/2009	He	G06K 7/10722	235/455
D603,408	S *	11/2009	Fitch	D14/426		2009/0084849	A1 *	4/2009	He	G06K 7/10851	235/462.01
D606,544	S *	12/2009	Di Bari	D14/426		2009/0140052	A1 *	6/2009	Liu	G06K 7/10732	235/462.42
D614,625	S *	4/2010	Fitch	D14/426		2009/0218403	A1 *	9/2009	Joseph	G06K 7/10732	235/462.21
8,028,913	B2 *	10/2011	Liu	G06K 7/10722	235/455	2009/0218405	A1 *	9/2009	Joseph	G06K 7/10732	235/462.42
8,186,597	B1 *	5/2012	Fletcher	G06K 7/10881	235/462.25	2009/0272807	A1 *	11/2009	Vinogradov	G06K 7/10702	235/462.01
8,296,754	B2 *	10/2012	Fitch	G07G 1/0081	235/435	2010/0308116	A1 *	12/2010	Sani	A45C 11/00	235/472.01
8,376,233	B2 *	2/2013	Horn	G06K 7/146	235/462.25	2011/0069877	A1 *	3/2011	Vincenzi	G06K 7/109	382/135
D677,258	S *	3/2013	Mistkawi	D14/426		2011/0073658	A1 *	3/2011	Vassura	G06K 7/109	235/472.01
8,390,909	B2 *	3/2013	Plesko	G02B 26/105	359/199.3	2011/0121077	A1 *	5/2011	Joseph	G06K 7/10722	235/462.11
8,421,604	B2 *	4/2013	Bellows	G06K 7/0008	340/12.26	2011/0127334	A1 *	6/2011	Shi	G06K 7/10811	235/462.35
8,424,768	B2 *	4/2013	Rueblinger	G06K 7/10881	235/462.01	2011/0127335	A1 *	6/2011	He	G06K 7/0008	235/462.41
D682,277	S *	5/2013	Tasselli	D14/426		2011/0132984	A1 *	6/2011	Fletcher	F16M 11/10	235/454
D683,764	S *	6/2013	Ridl	D14/492		2011/0290886	A1 *	12/2011	Carlson	G06K 7/10811	235/462.24
8,469,275	B2 *	6/2013	Dahari	G06K 7/14	235/462.01	2011/0290889	A1 *	12/2011	Tamburrini	G06K 7/10881	235/470
D687,856	S *	8/2013	Haug	D14/489		2011/0297853	A1 *	12/2011	Liu	G06K 7/10831	250/566
D692,004	S *	10/2013	Man	D14/426		2012/0029994	A1 *	2/2012	Barkan	G06Q 30/0207	705/14.25
D692,892	S *	11/2013	Mistkawi	D14/426		2012/0048940	A1 *	3/2012	Chaumont	G06K 7/10594	235/462.21
8,657,199	B2 *	2/2014	Barkan	G06K 7/10722	235/462.11							
D702,238	S *	4/2014	Alegiani	D14/426								
8,833,660	B1 *	9/2014	Slutsky	G06K 7/10712	235/454							
8,870,074	B1 *	10/2014	Gannon	H01M 2/00	235/472.01							
8,910,872	B2 *	12/2014	Barkan	G06K 7/10732	235/462.42							
D723,563	S *	3/2015	Alegiani	D14/426								
D726,186	S *	4/2015	Jenkins	D14/426								
D730,357	S *	5/2015	Fitch	D14/426								
9,053,378	B1 *	6/2015	Hou	G06K 7/10594								
D734,339	S *	7/2015	Zhou	D14/428								
2001/0045466	A1 *	11/2001	Bontly	G06K 7/10881	235/472.01							
2002/0056755	A1 *	5/2002	Canini	G06K 7/10881	235/462.48							
2002/0096566	A1 *	7/2002	Schwartz	G06K 7/10742	235/462.42							

(56)

References Cited

U.S. PATENT DOCUMENTS

2012/0097744	A1*	4/2012	Drzymala	G06K 7/10732 235/462.21	2013/0306734	A1*	11/2013	Xian	G06K 7/1408 235/462.33
2012/0111946	A1*	5/2012	Golant	G06K 7/10633 235/470	2013/0313325	A1*	11/2013	Wilz, Sr.	G06K 7/10801 235/462.25
2012/0228382	A1*	9/2012	Havens	G06K 7/10792 235/462.1	2013/0327834	A1*	12/2013	Hennick	G06K 7/10831 235/462.36
2012/0287332	A1*	11/2012	Fjellstad	G06K 7/10732 348/362	2014/0048684	A1*	2/2014	Barkan	G06K 7/10722 250/208.1
2012/0319645	A1*	12/2012	O'Donnell	H02J 7/025 320/108	2014/0059414	A1*	2/2014	He	G06K 9/00449 715/222
2013/0001290	A1*	1/2013	Trajkovic	G07G 1/0081 235/375	2014/0089121	A1*	3/2014	Kaminsky	G07G 1/0081 705/23
2013/0043312	A1*	2/2013	Van Horn	G06K 7/10831 235/462.1	2014/0091147	A1*	4/2014	Evans	G06K 7/10881 235/472.02
2013/0070322	A1*	3/2013	Fritz	G06K 7/10633 359/201.1	2014/0117092	A1*	5/2014	Vinogradov	G06K 7/10732 235/462.21
2013/0200158	A1*	8/2013	Feng	G06K 7/10633 235/462.36	2014/0144978	A1*	5/2014	Sun	G06K 7/10544 235/375
2013/0214048	A1*	8/2013	Wilz, Sr.	G06K 7/10584 235/462.1	2014/0246496	A1*	9/2014	Brock	G06K 7/10722 235/472.01
2013/0292474	A1*	11/2013	Xian	235/462.26	2014/0361082	A1*	12/2014	Xian	G06K 7/10584 235/455
2013/0292478	A1*	11/2013	Wang	G06K 7/10851 235/472.01	2015/0034724	A1*	2/2015	He	G06K 7/1443 235/462.08
2013/0306730	A1*	11/2013	Brady	G06K 7/10792 235/455	2015/0102109	A1*	4/2015	Huck	G06K 7/109 235/462.14

* cited by examiner

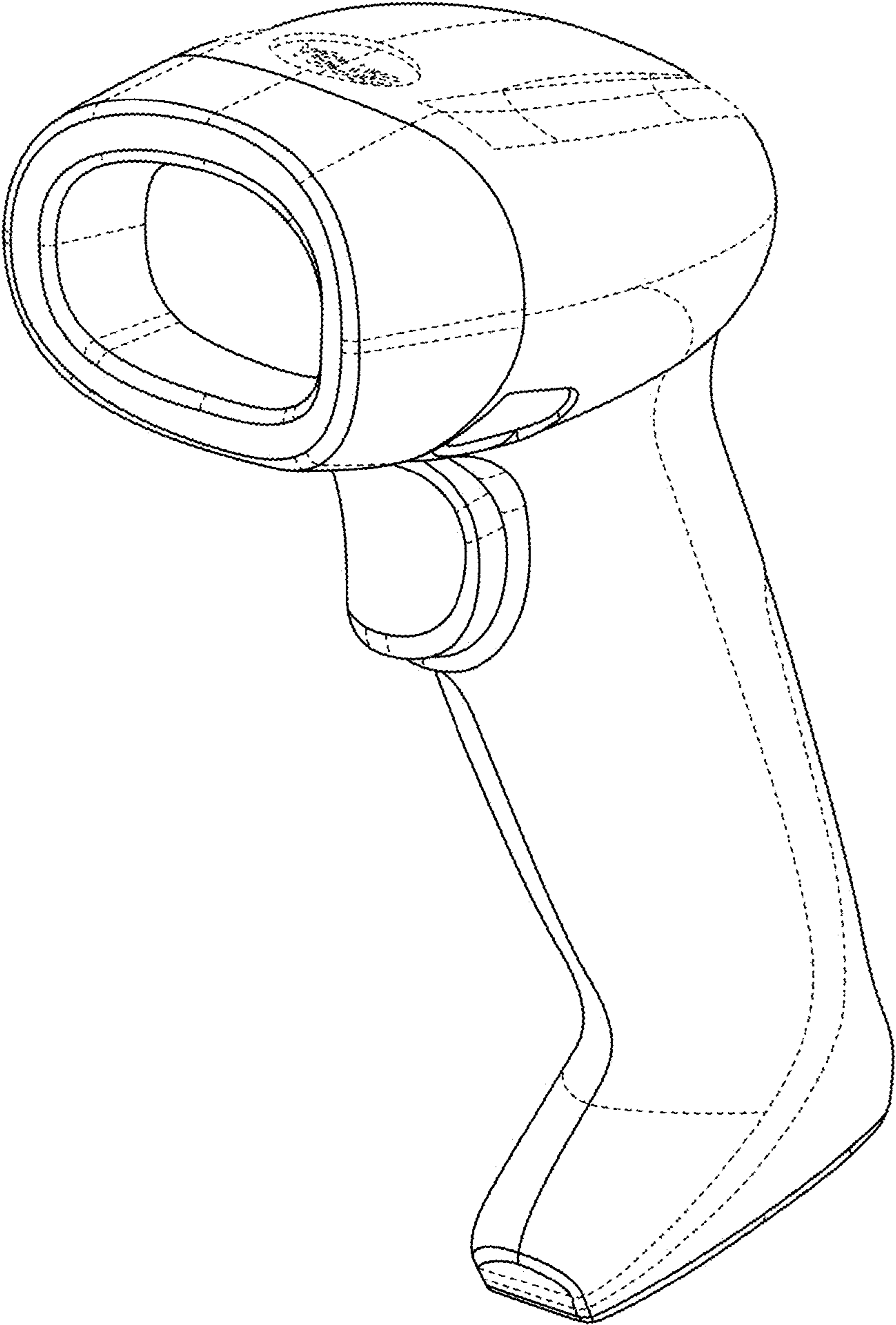


FIG. 1

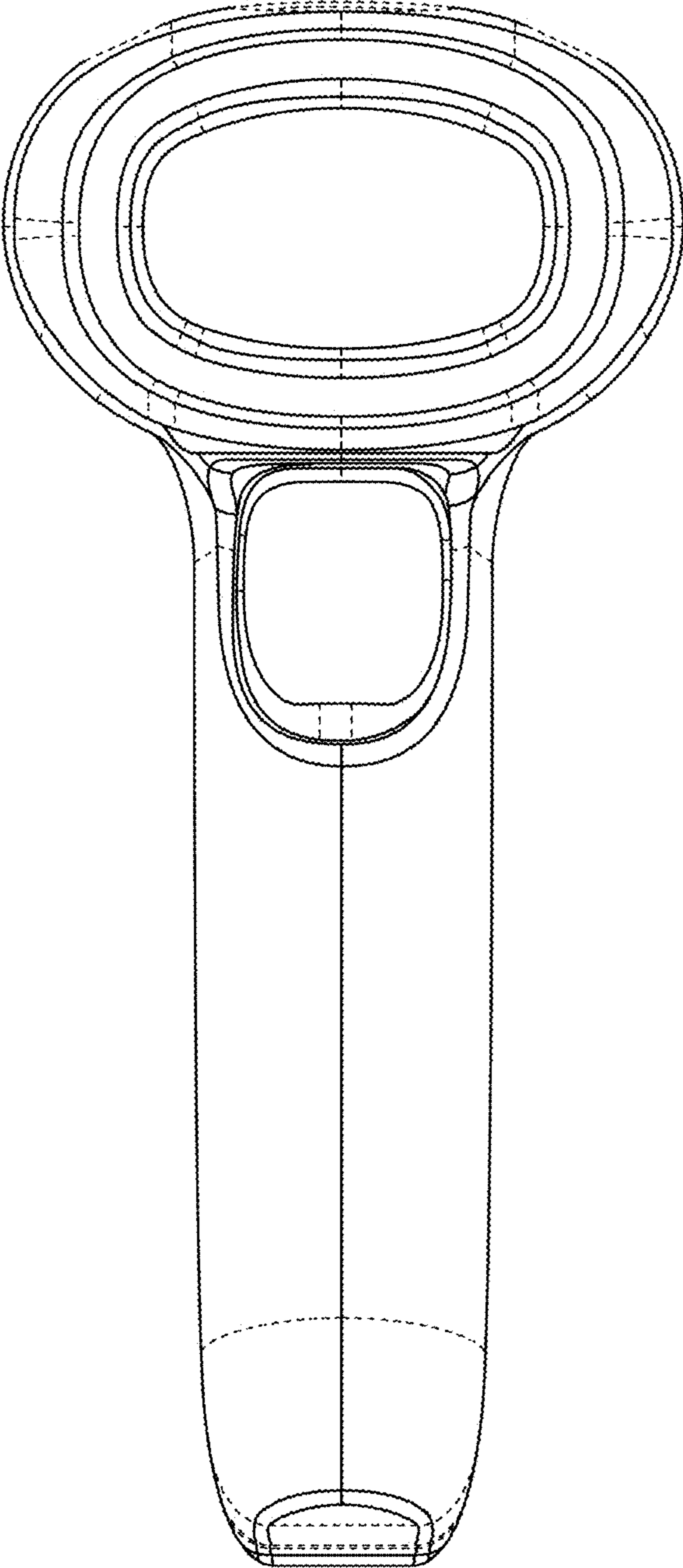


FIG. 2

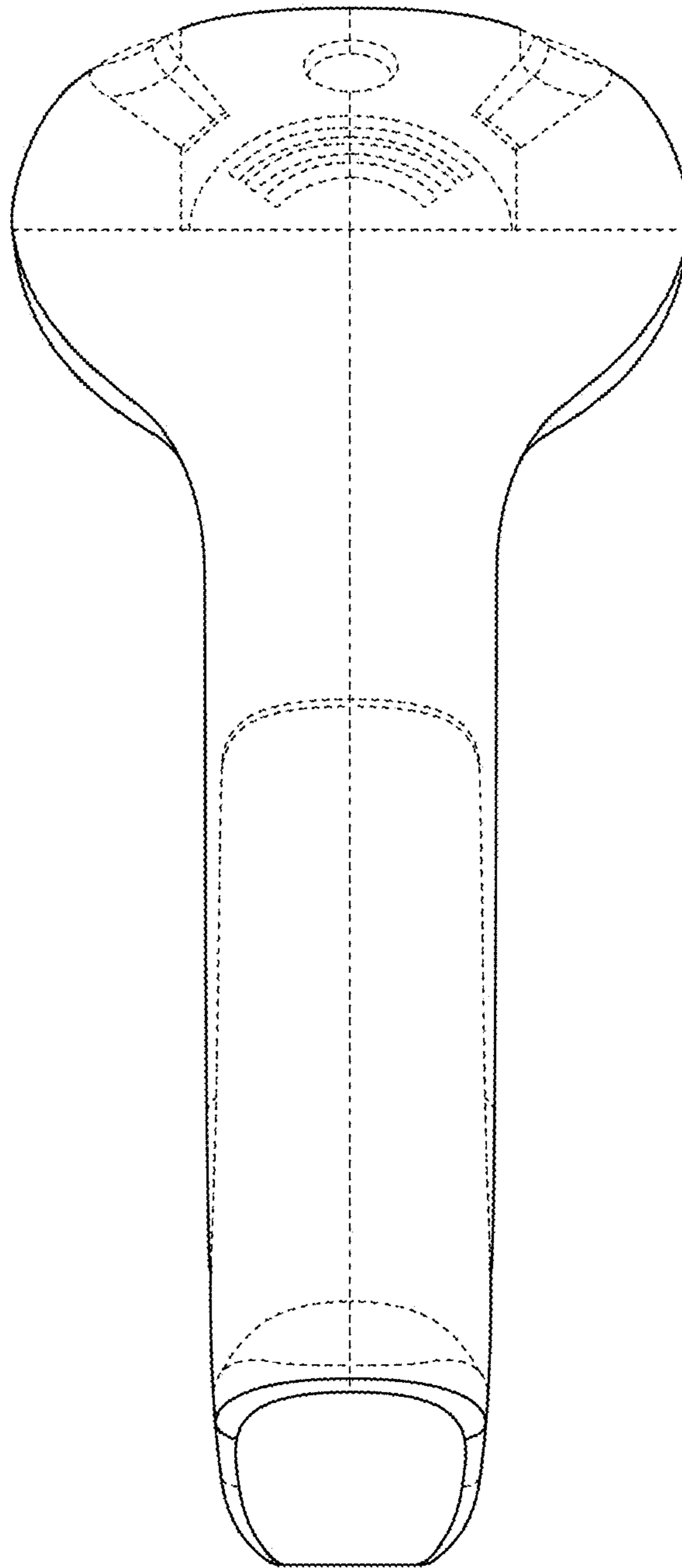


FIG. 3

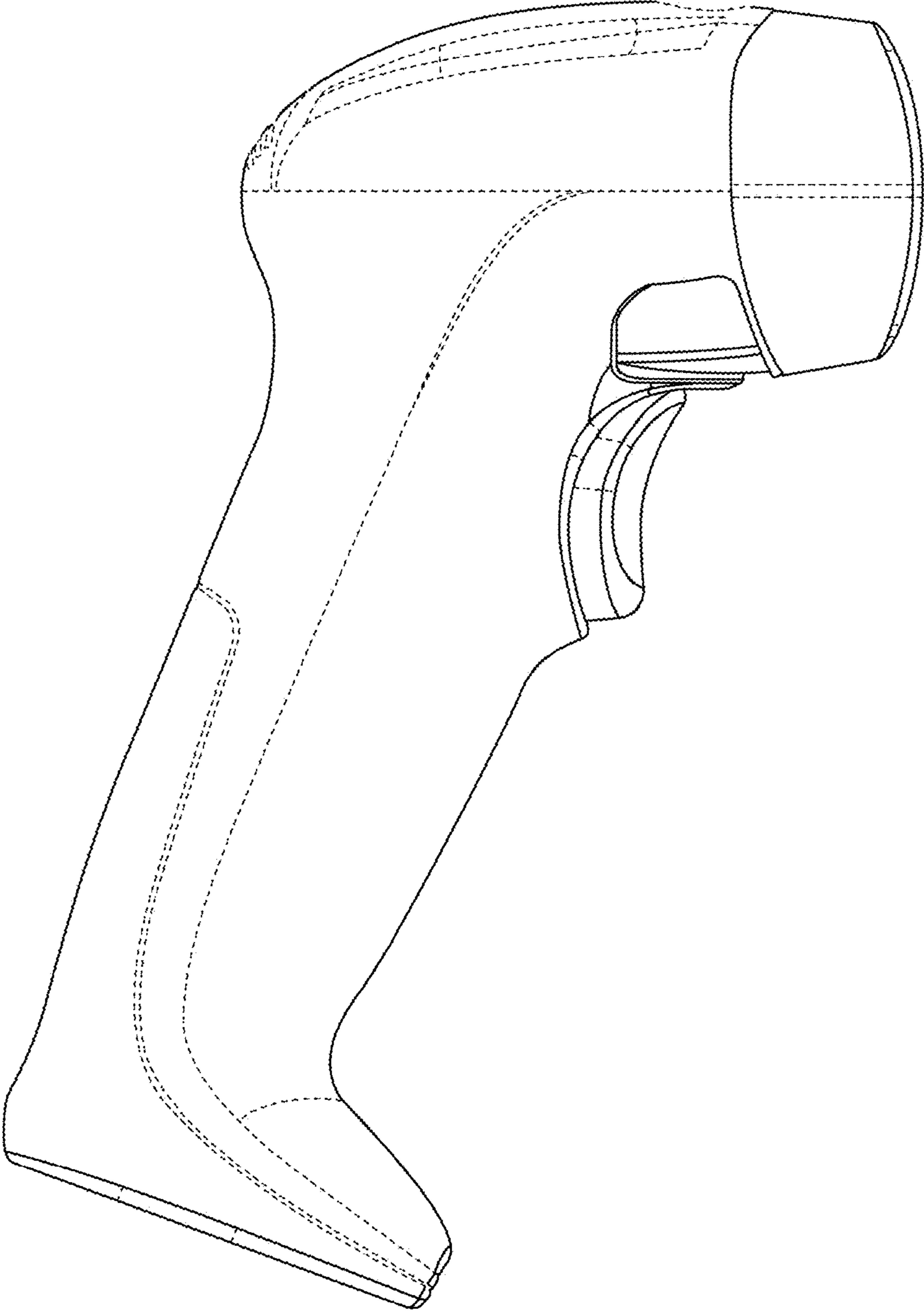


FIG. 4

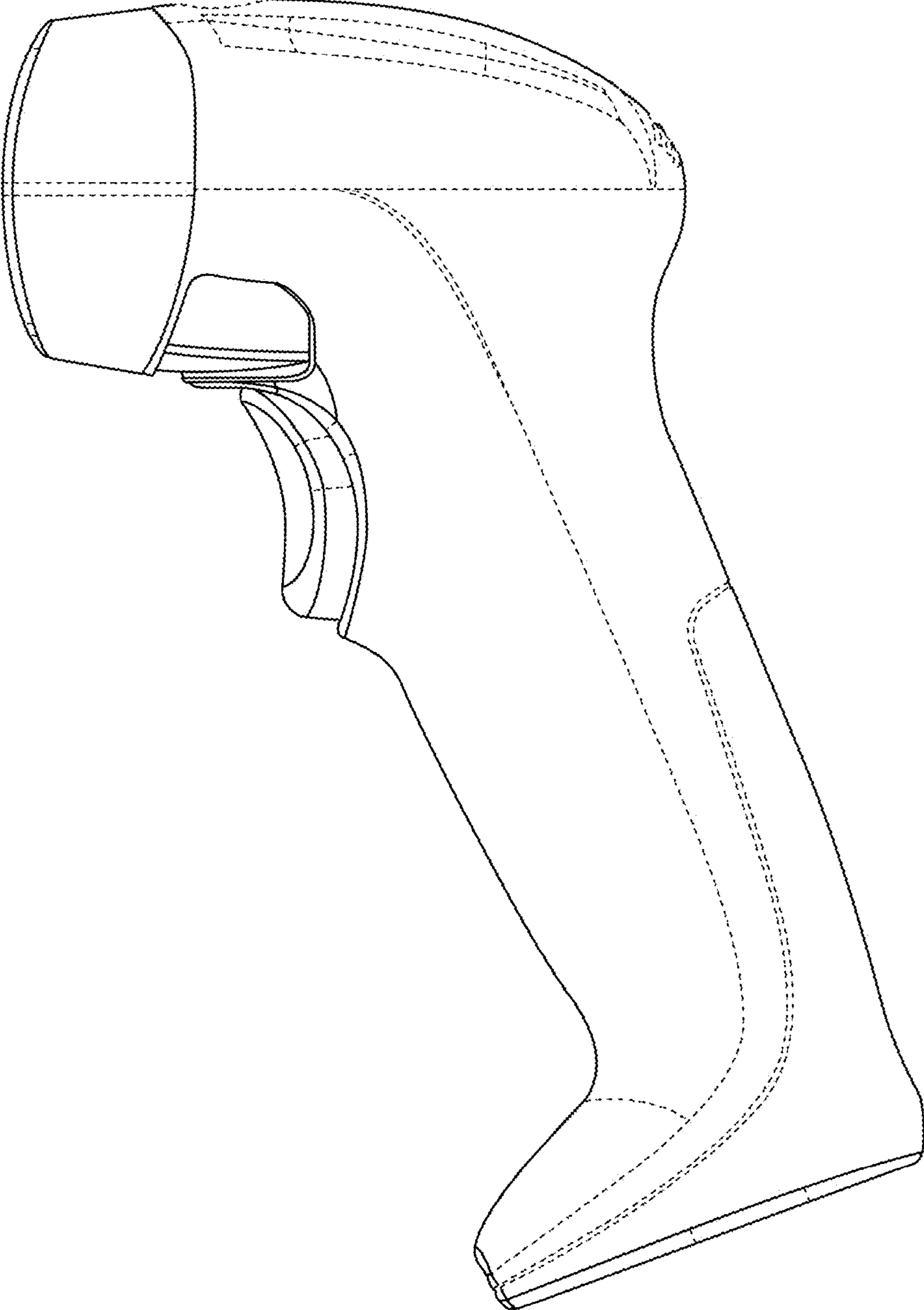


FIG. 5

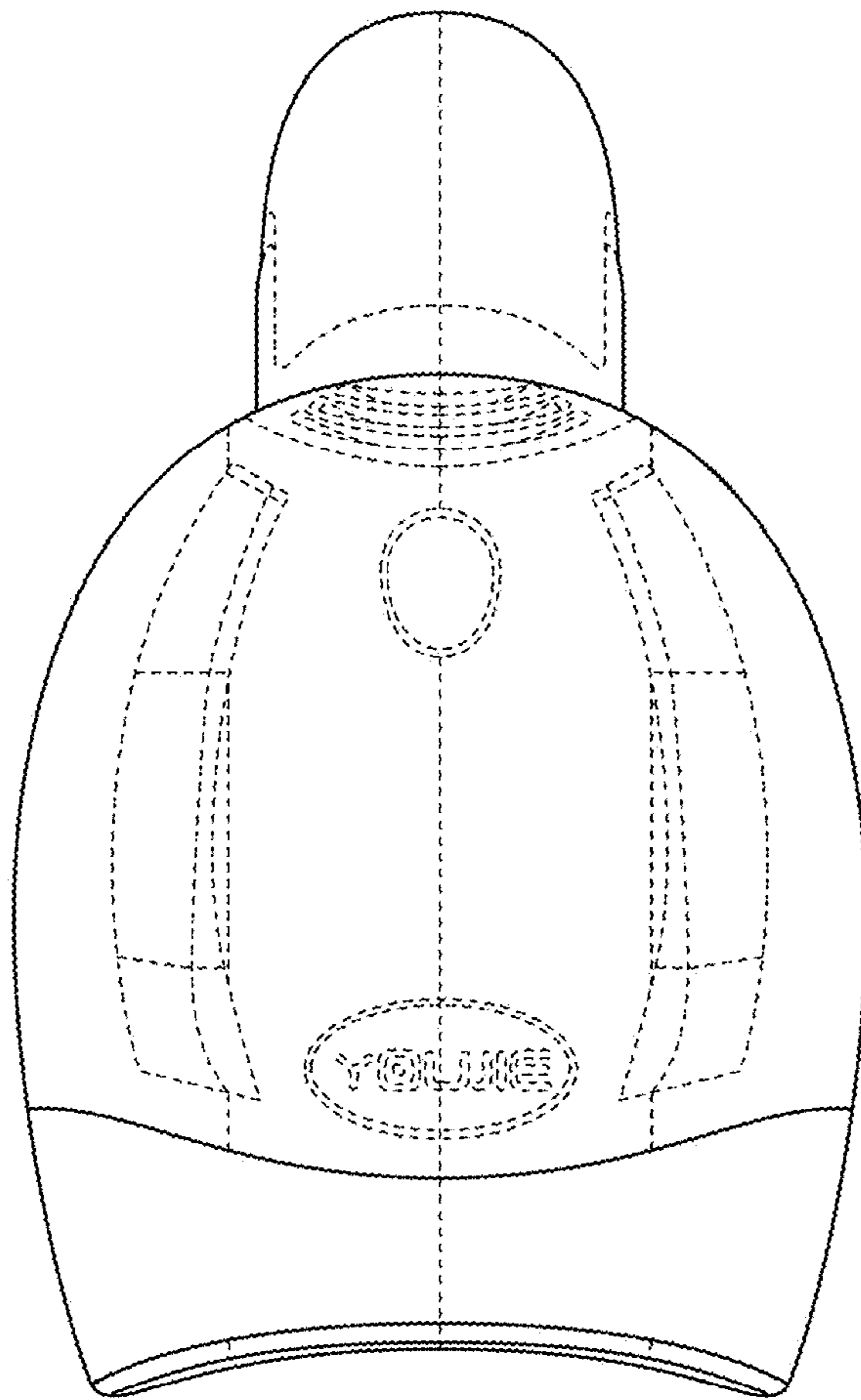


FIG. 6

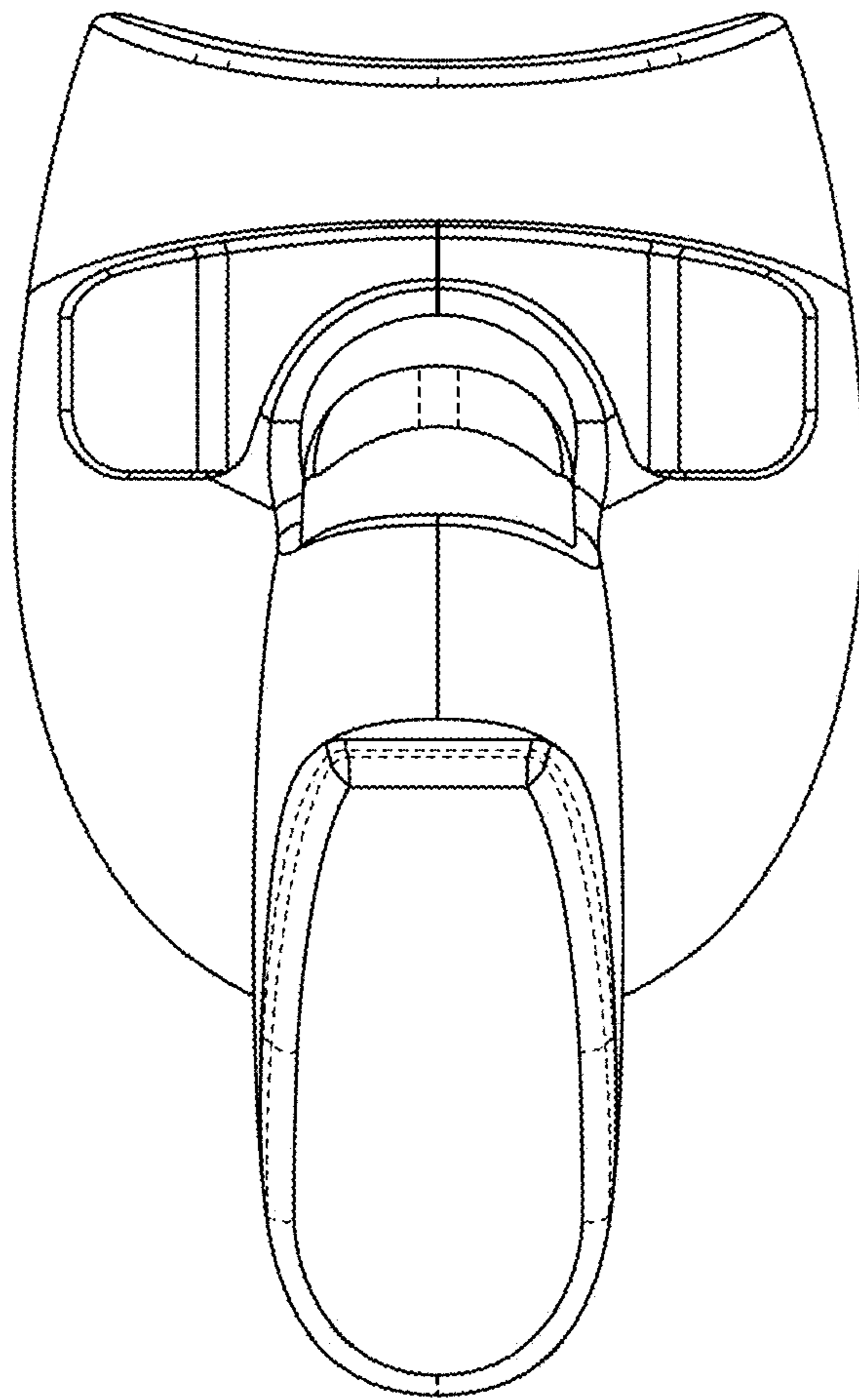


FIG. 7

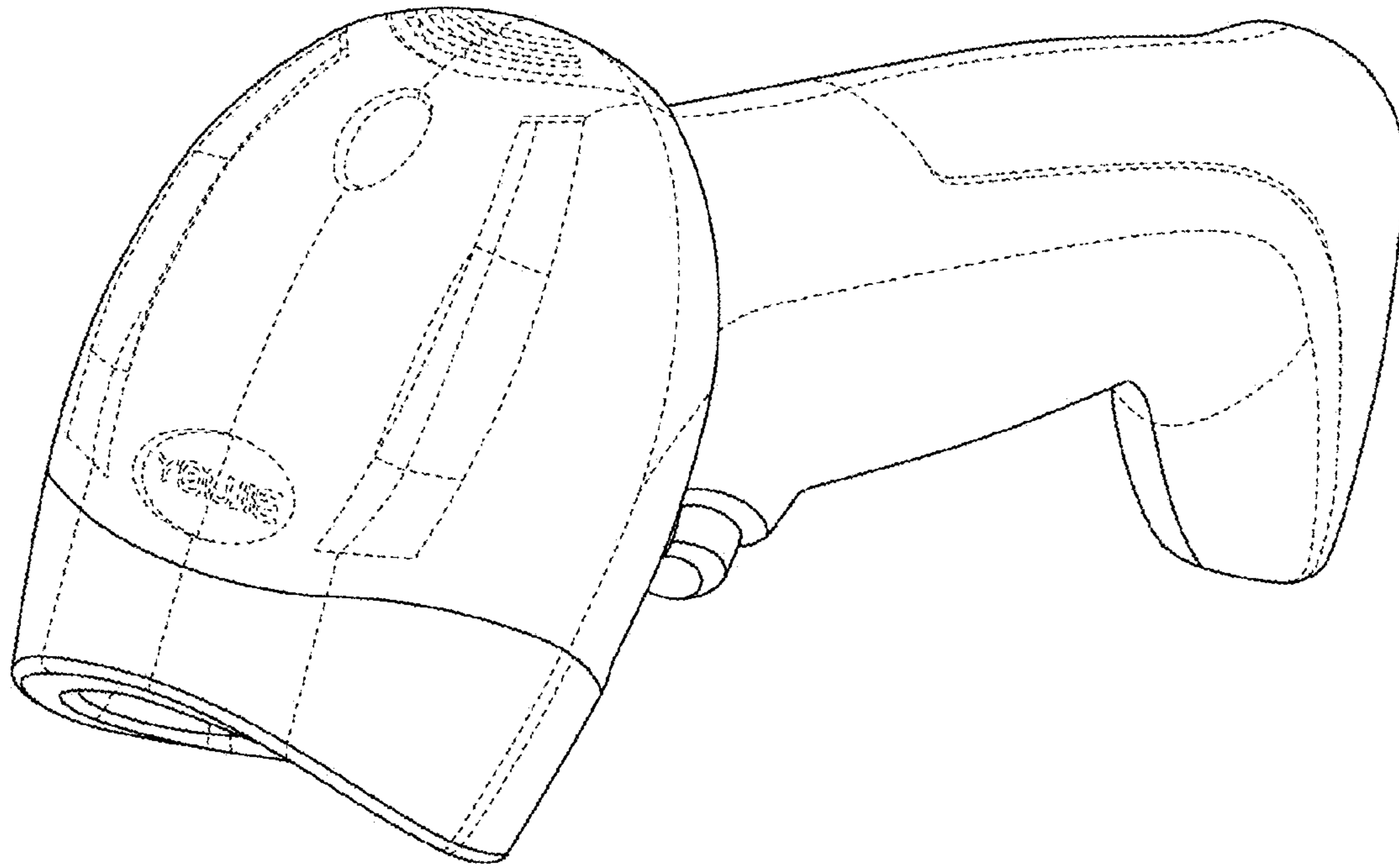


FIG. 8

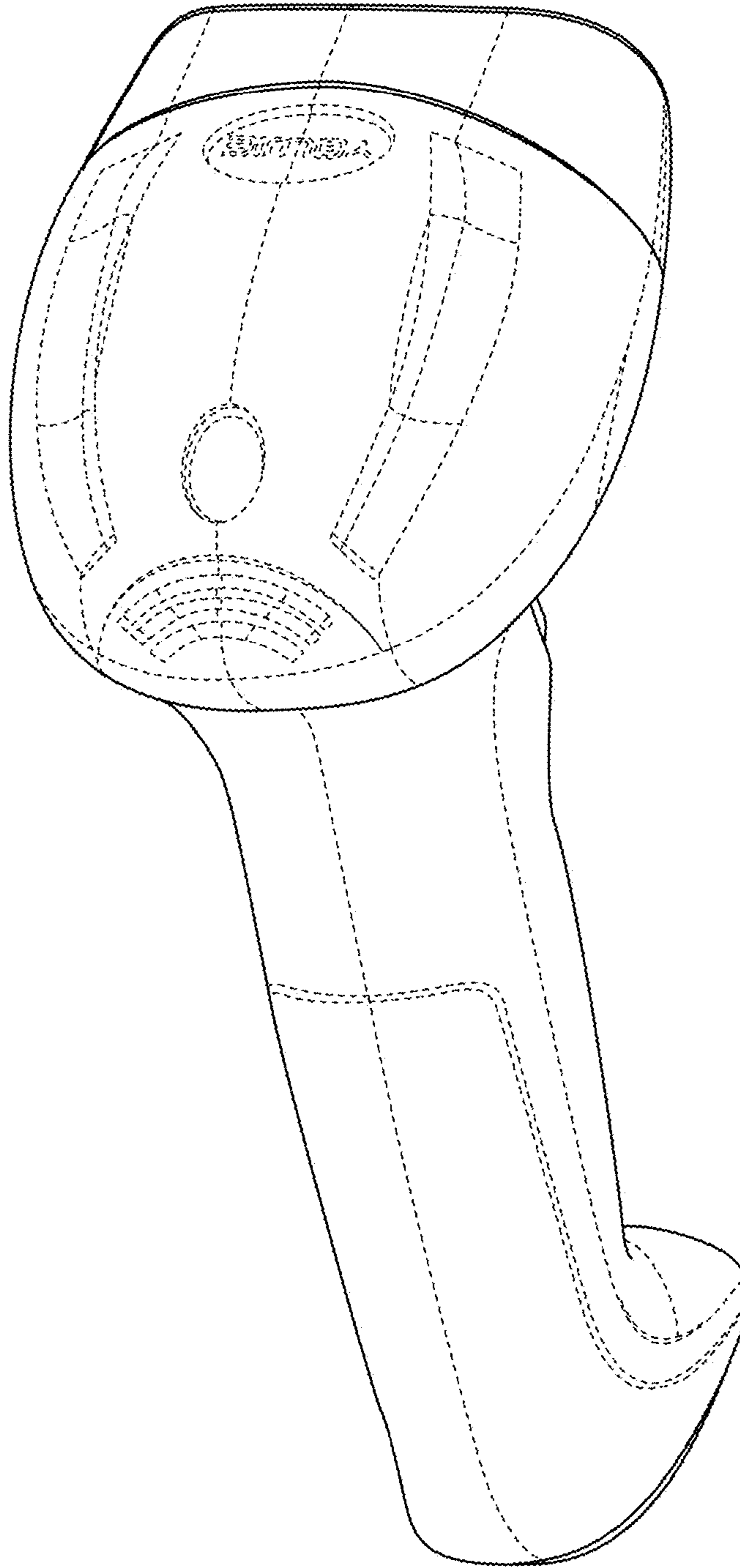


FIG. 9

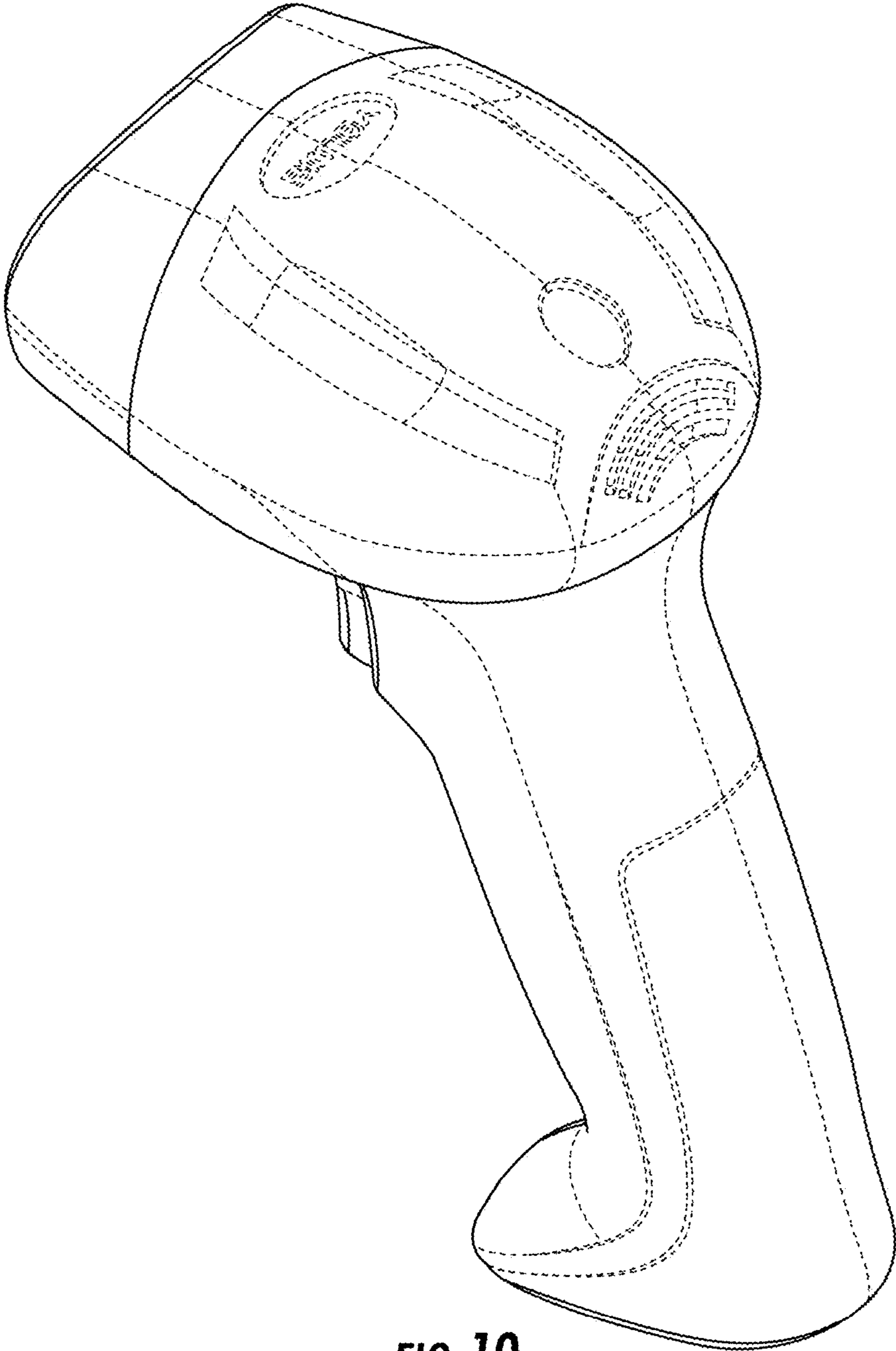


FIG. 10