



US00D753654S

(12) **United States Design Patent**  
**Eastwood et al.**

(10) **Patent No.:** **US D753,654 S**  
(45) **Date of Patent:** **\*\* Apr. 12, 2016**

(54) **WEARABLE ELECTRONIC DISPLAY DEVICE**

(71) Applicant: **INTEL CORPORATION**, Santa Clara, CA (US)

(72) Inventors: **Mark Eastwood**, Kentfield, CA (US);  
**John Groff**, San Francisco, CA (US)

(73) Assignee: **Intel Corporation**, Santa Clara, CA (US)

(\*\*) Term: **14 Years**

(21) Appl. No.: **29/501,343**

(22) Filed: **Sep. 3, 2014**

(51) **LOC (10) Cl.** ..... **14-02**

(52) **U.S. Cl.**  
USPC ..... **D14/344**; D11/4

(58) **Field of Classification Search**  
USPC ..... D10/15, 28, 30-32, 38, 39, 128, 132;  
D11/3, 4, 200; D14/138 R, 144, 344;  
D18/4.5; D24/187; 63/9; 224/170, 219;  
368/10, 69, 82 X, 276, 281-283, 316;  
455/575.6; 600/595  
CPC ..... A44C 5/12; A45F 2005/008  
See application file for complete search history.

(56) **References Cited**

**U.S. PATENT DOCUMENTS**

107,588	A *	9/1870	Barclay	63/9
228,425	A *	6/1880	Vester	63/8
229,276	A *	6/1880	Riley et al.	63/8
D47,148	S *	3/1915	Wells	D11/4
D141,652	S *	6/1945	Ray-Dupuis	D11/4
D147,512	S *	9/1947	Smith	D11/4
D369,569	S *	5/1996	Kaufmann	D11/4
D394,411	S *	5/1998	Gozlan	D11/4
D473,155	S *	4/2003	Bonnet	D11/26

D519,396	S *	4/2006	Migliorati	D11/4
D618,581	S *	6/2010	Takahashi	D11/37
D694,662	S *	12/2013	Buckley	D11/3
2013/0206801	A1 *	8/2013	Delgatty	224/219

\* cited by examiner

*Primary Examiner* — Robert M Spear

*Assistant Examiner* — Darcey E Heflin

(74) *Attorney, Agent, or Firm* — International IP Law Group, P.L.L.C.

(57) **CLAIM**

The ornamental design for a wearable electronic display device, as shown and described.

**DESCRIPTION**

FIG. 1 is a bottom view of a wearable electronic display device;

FIG. 2 is a top view of the wearable electronic display device from FIG. 1;

FIG. 3 is a left view of the wearable electronic display device from FIG. 1;

FIG. 4 is a right view of the wearable electronic display device from FIG. 1;

FIG. 5 is a front view of the wearable electronic display device from FIG. 1;

FIG. 6 is a back view of the wearable electronic display device from FIG. 1;

FIG. 7 is a right perspective view of the back side of the wearable electronic display design from FIG. 1;

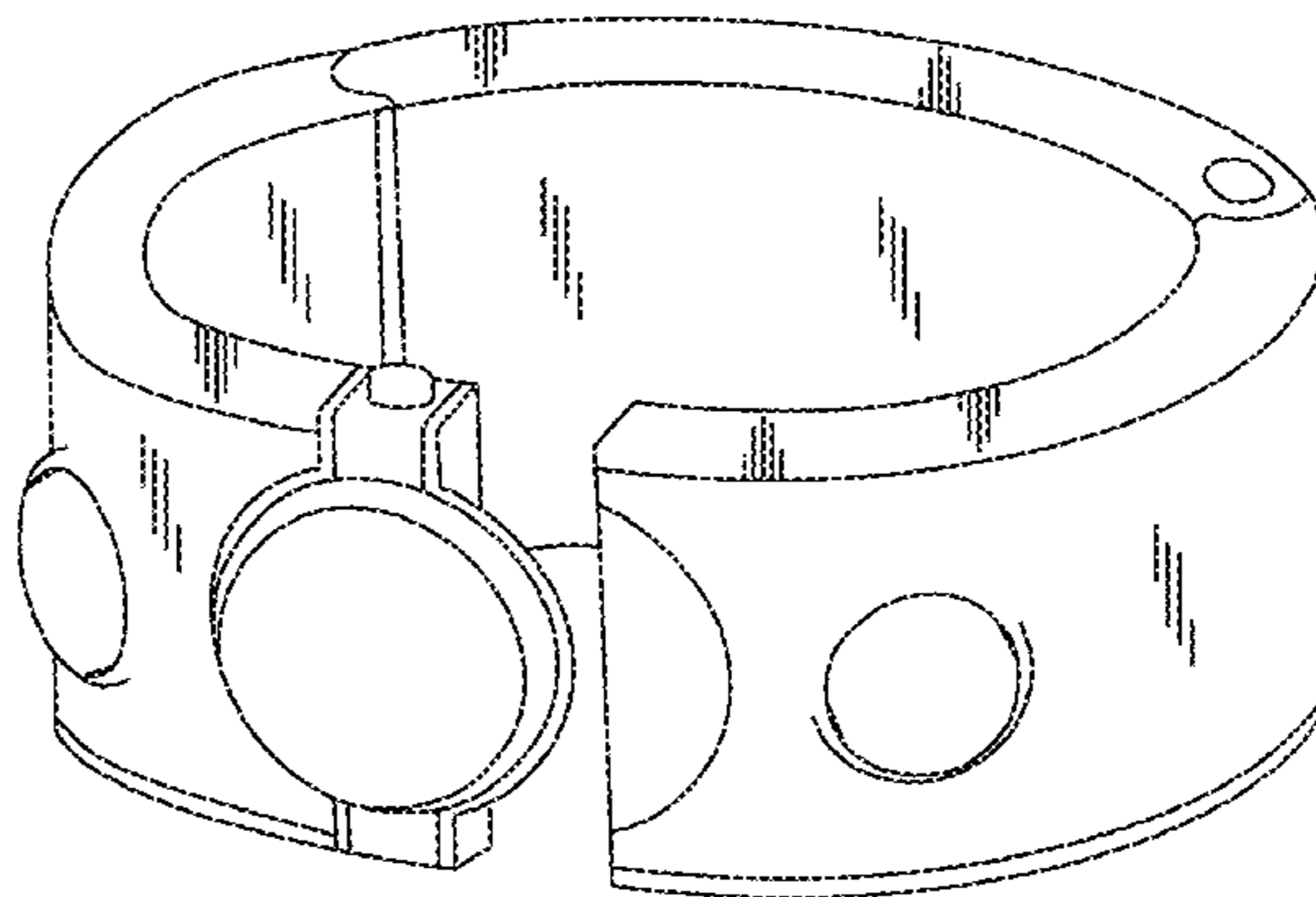
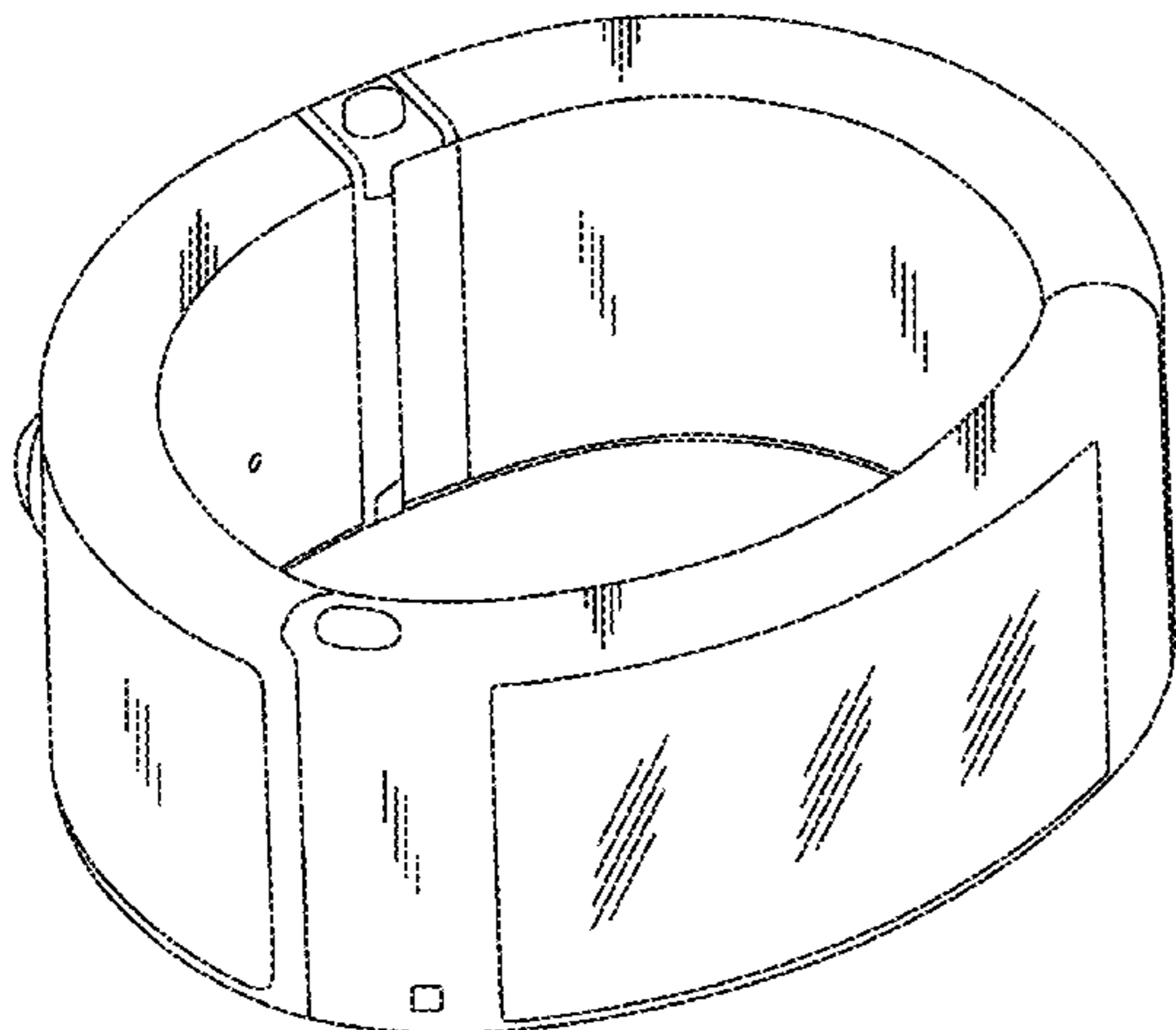
FIG. 8 is a left perspective of the back side of the wearable electronic display design from FIG. 1;

FIG. 9 is a front perspective view of the wearable electronic display device from FIG. 1;

FIG. 10 is a right perspective view of the front side of the opened wearable electronic display design from FIG. 1; and,

FIG. 11 is a left perspective view of the front side of the opened wearable electronic display design from FIG. 1.

**1 Claim, 11 Drawing Sheets**



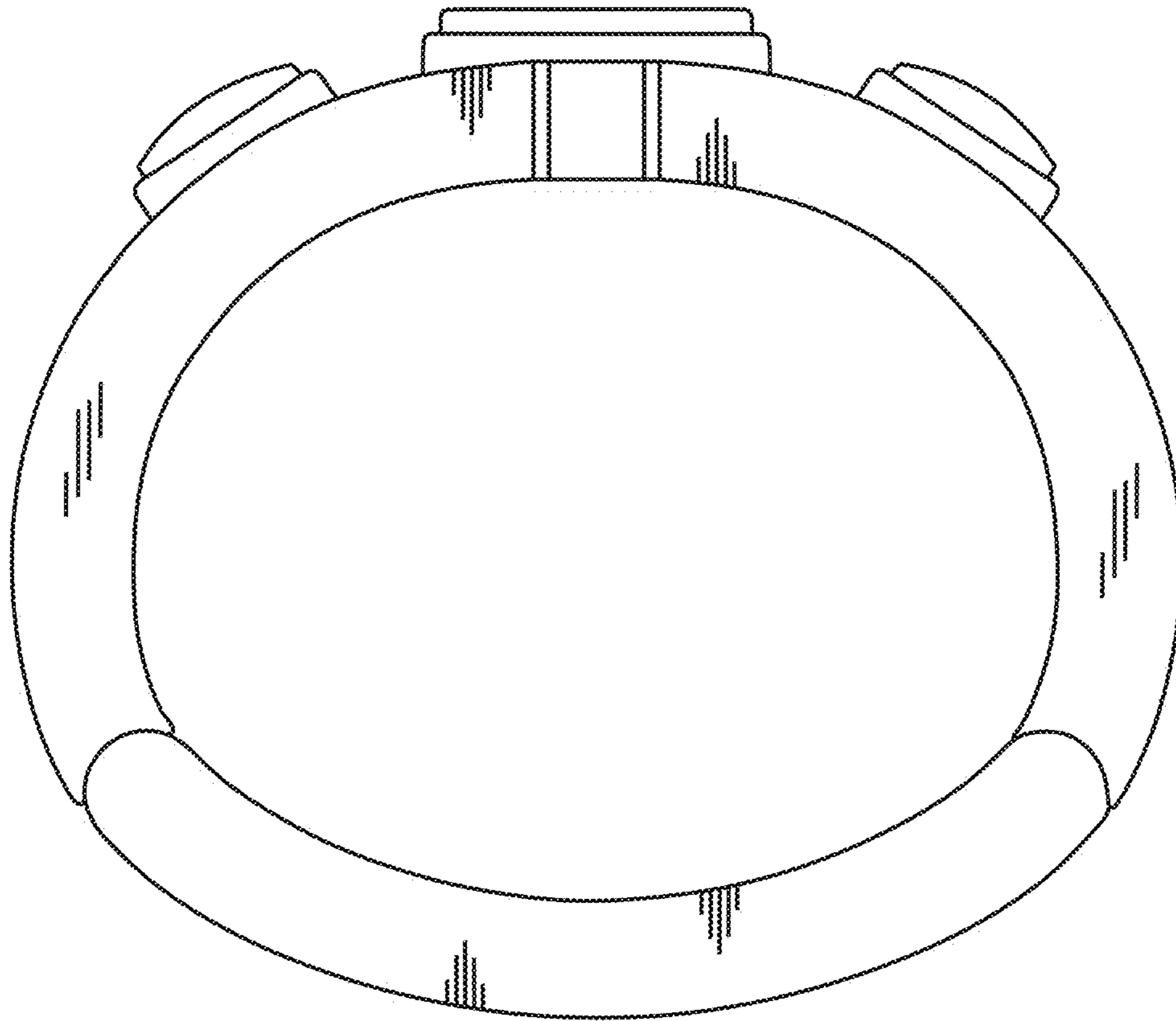


FIG. 1

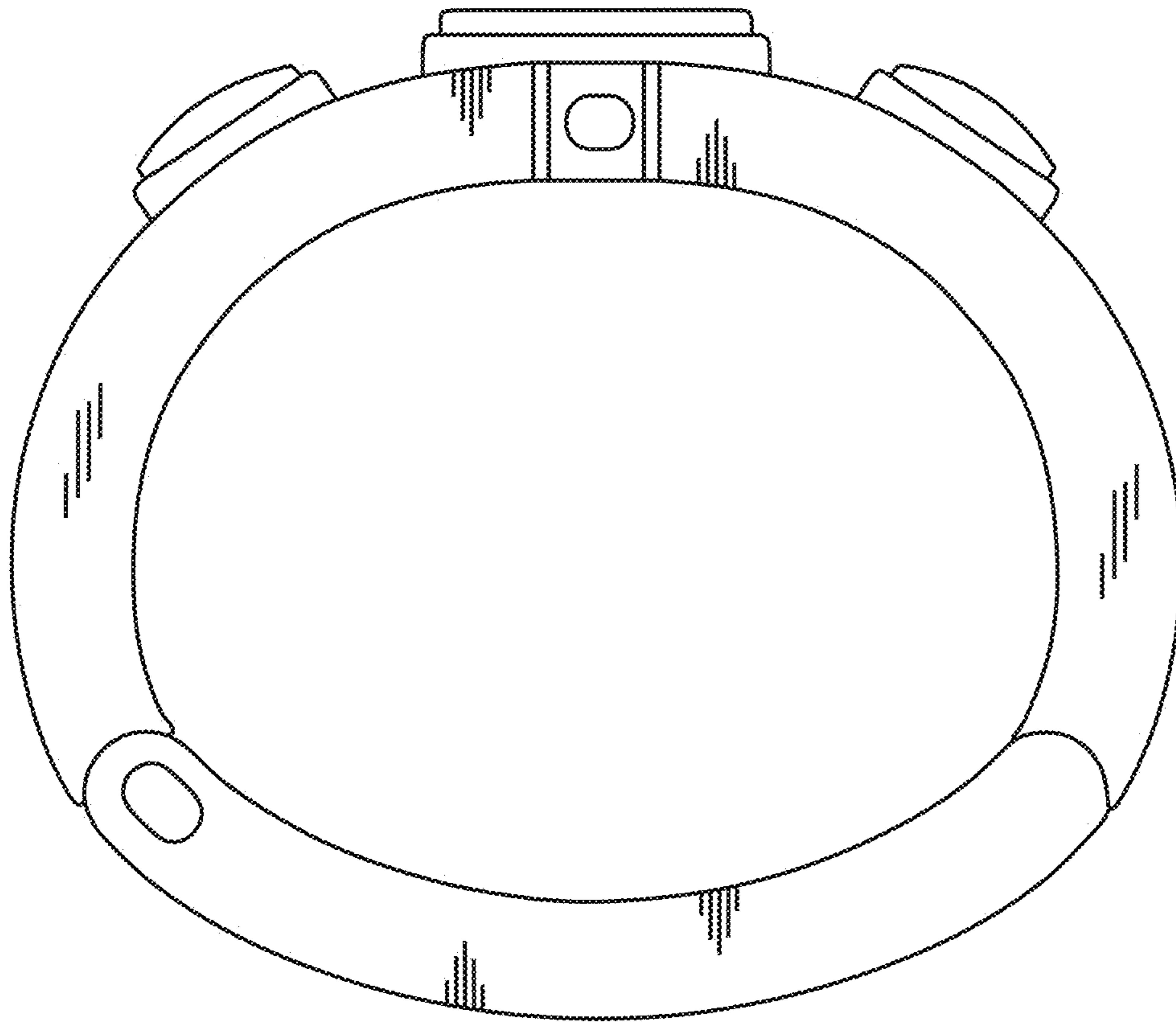


FIG. 2

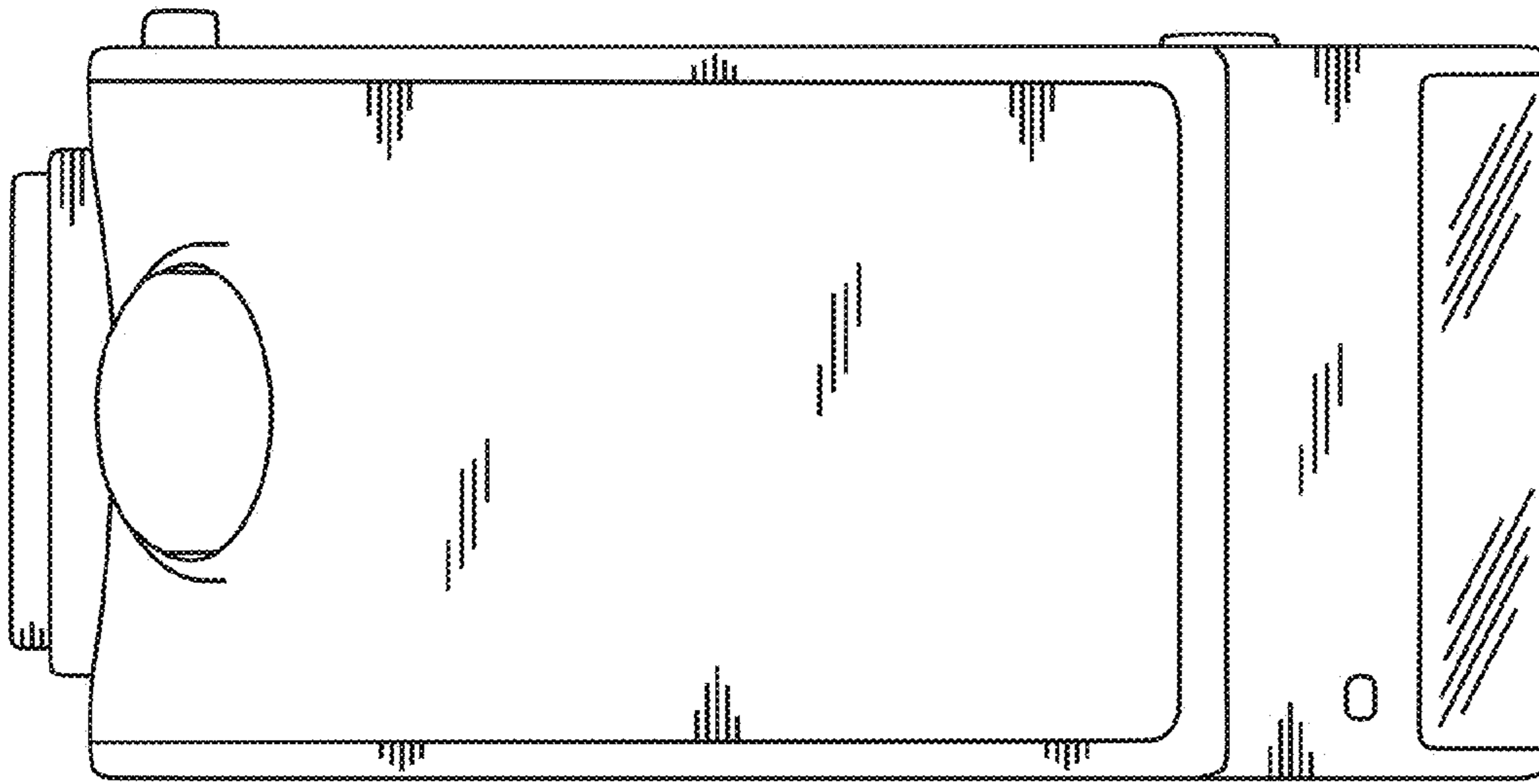


FIG. 3

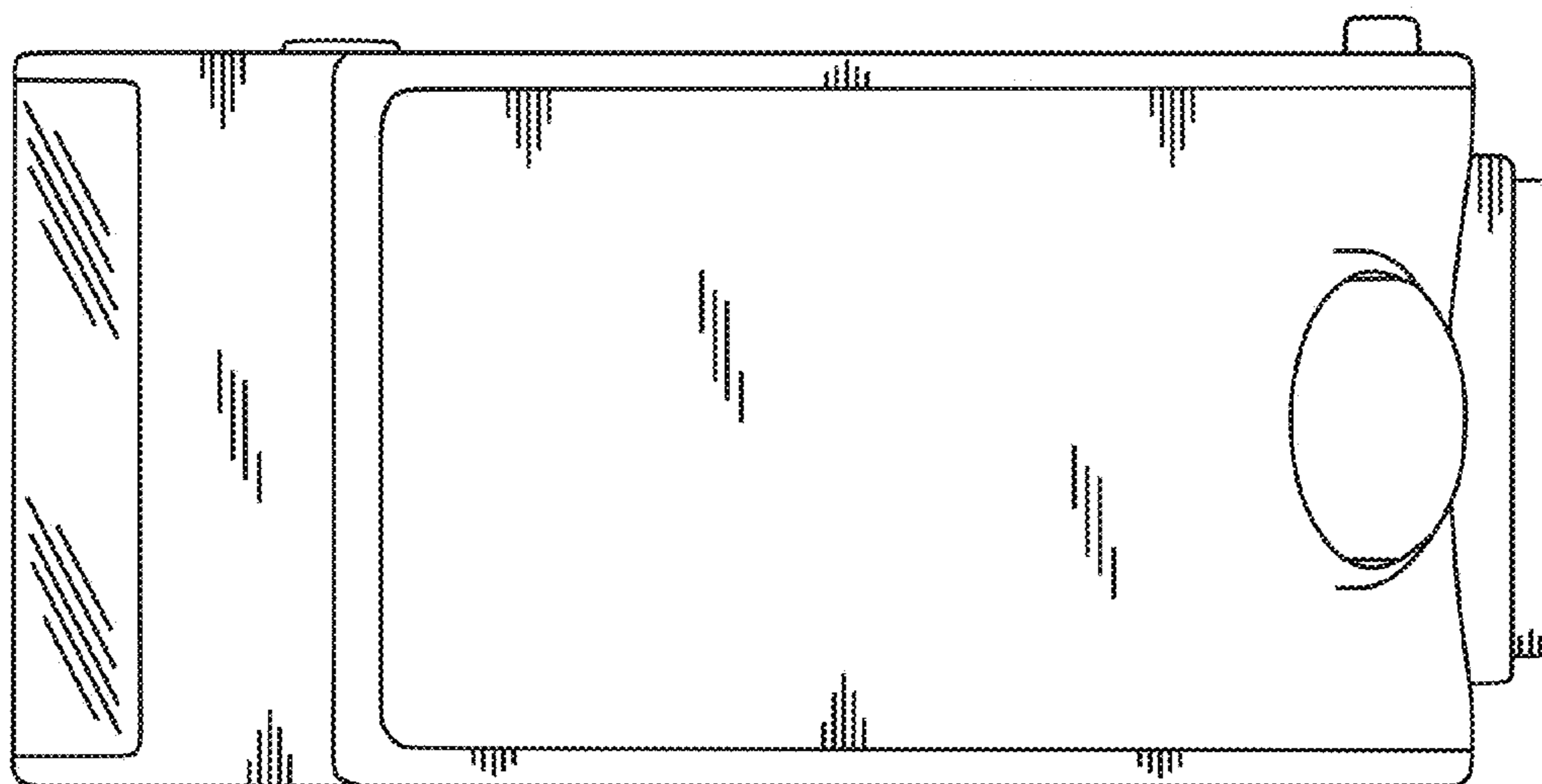


FIG. 4

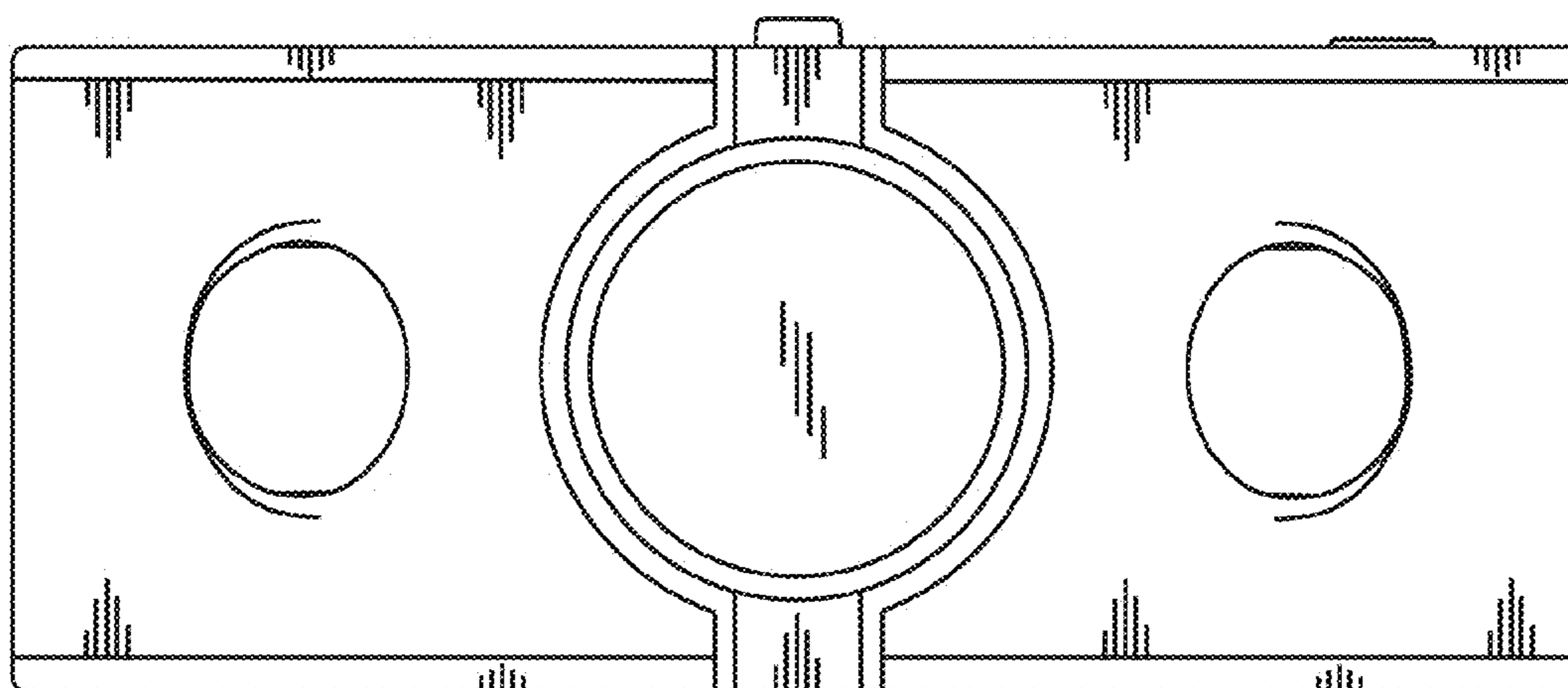


FIG. 5



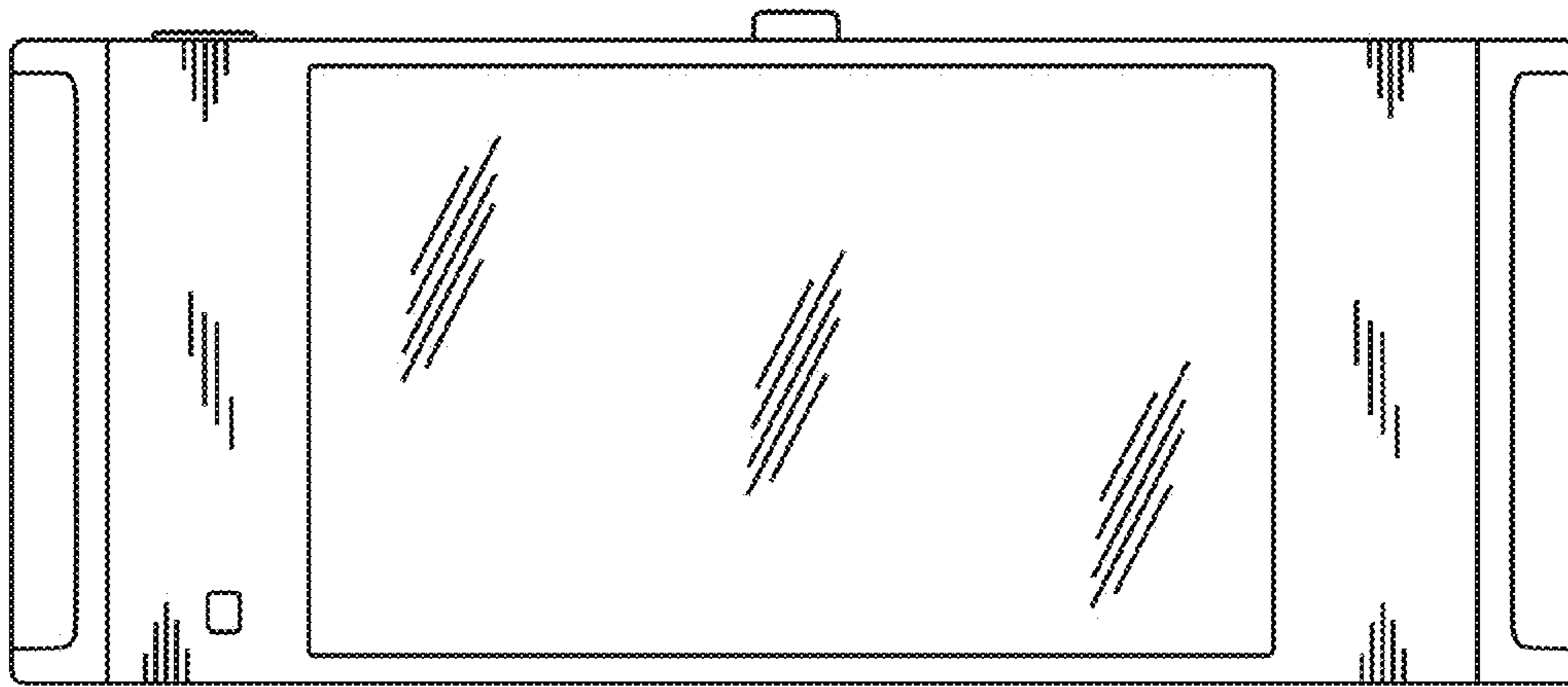


FIG. 6

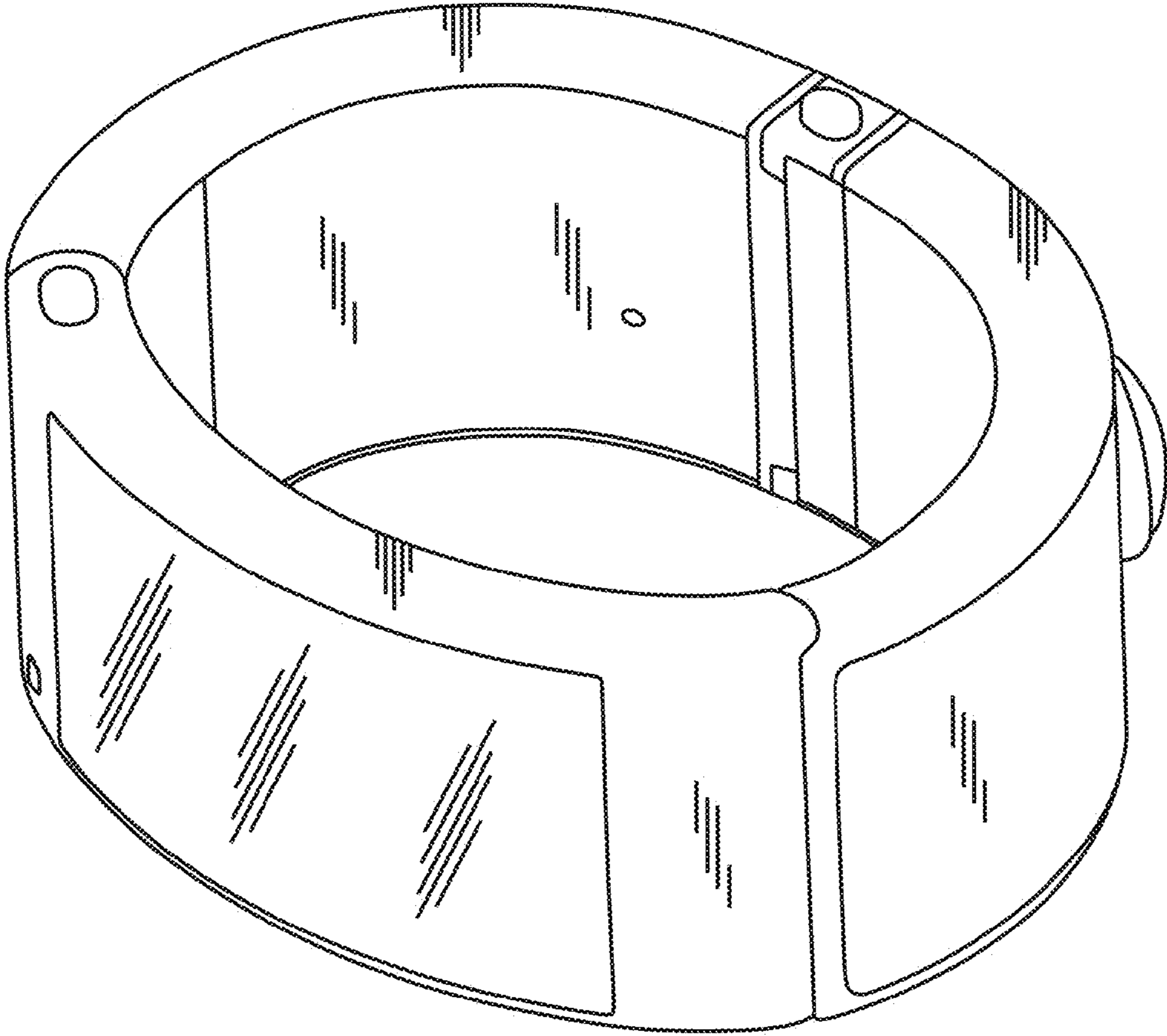


FIG. 7



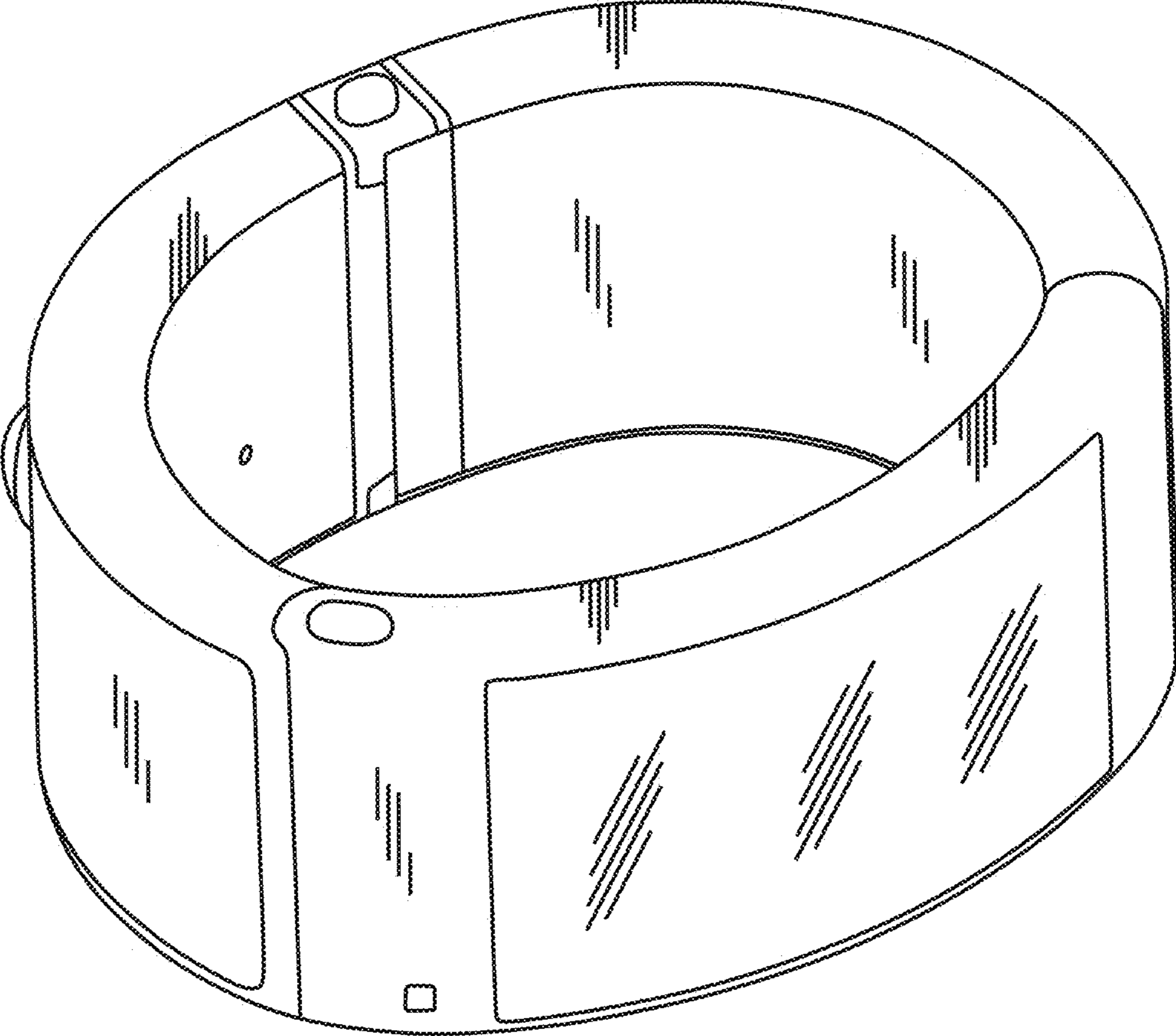


FIG. 8

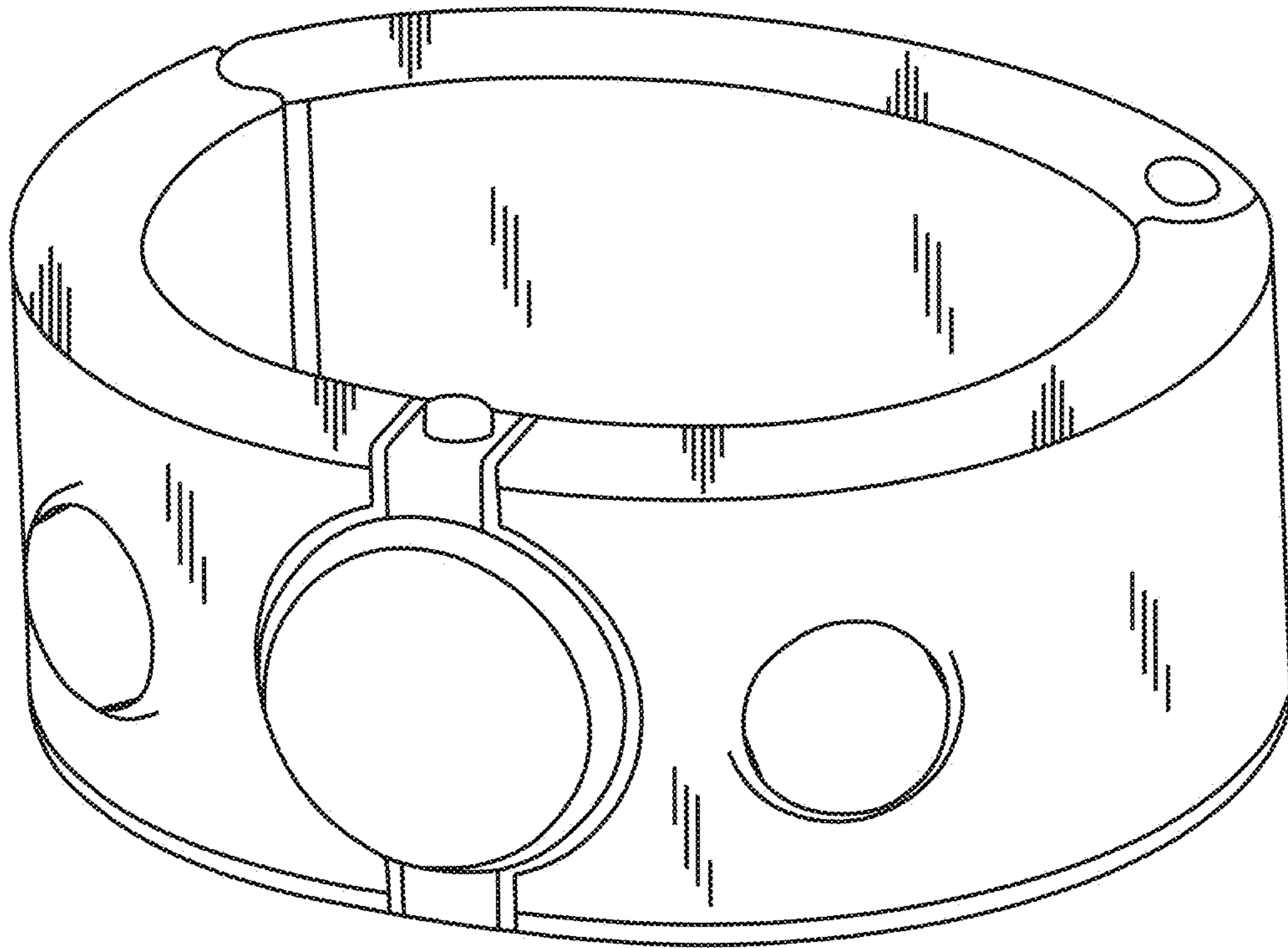


FIG. 9

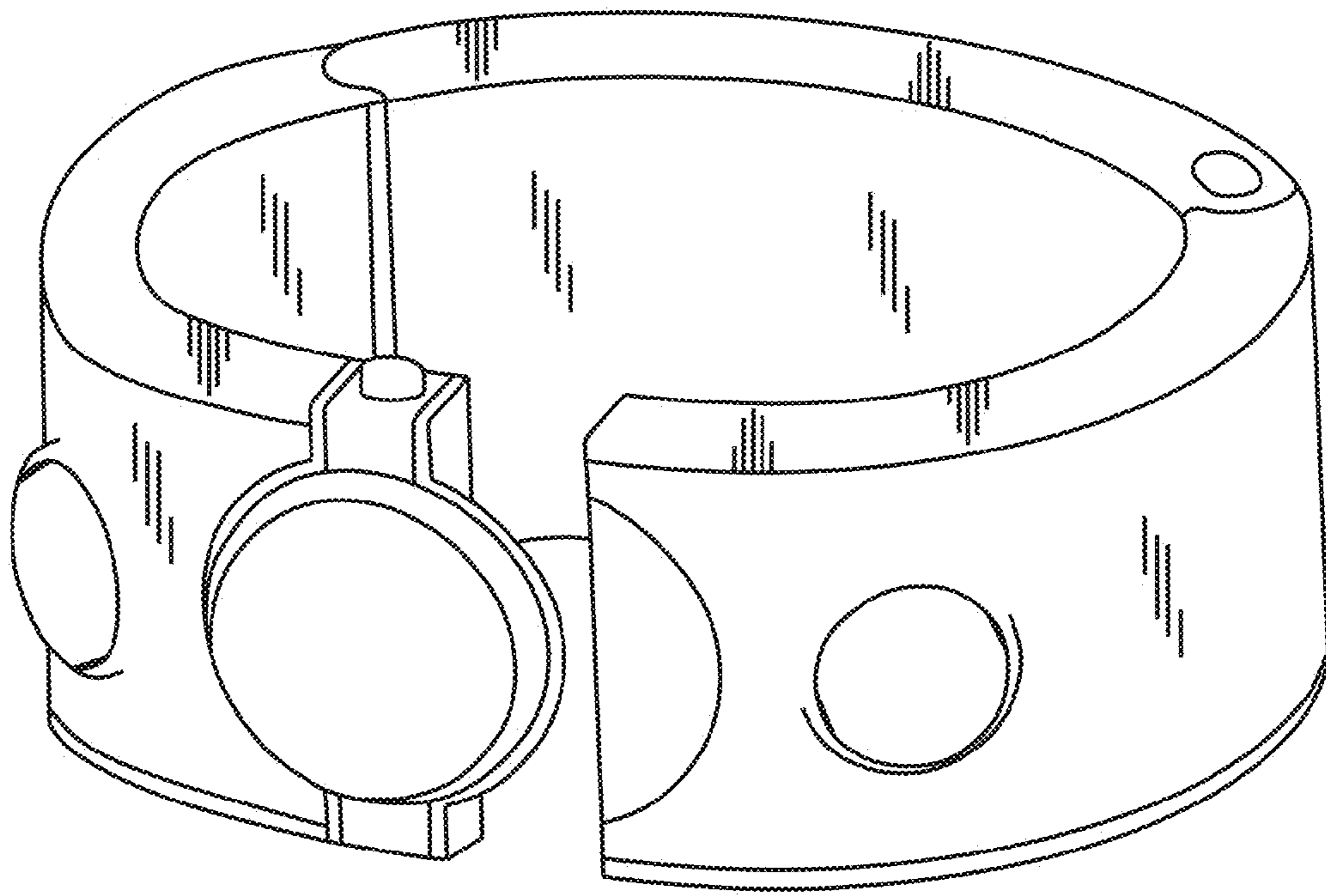


FIG. 10

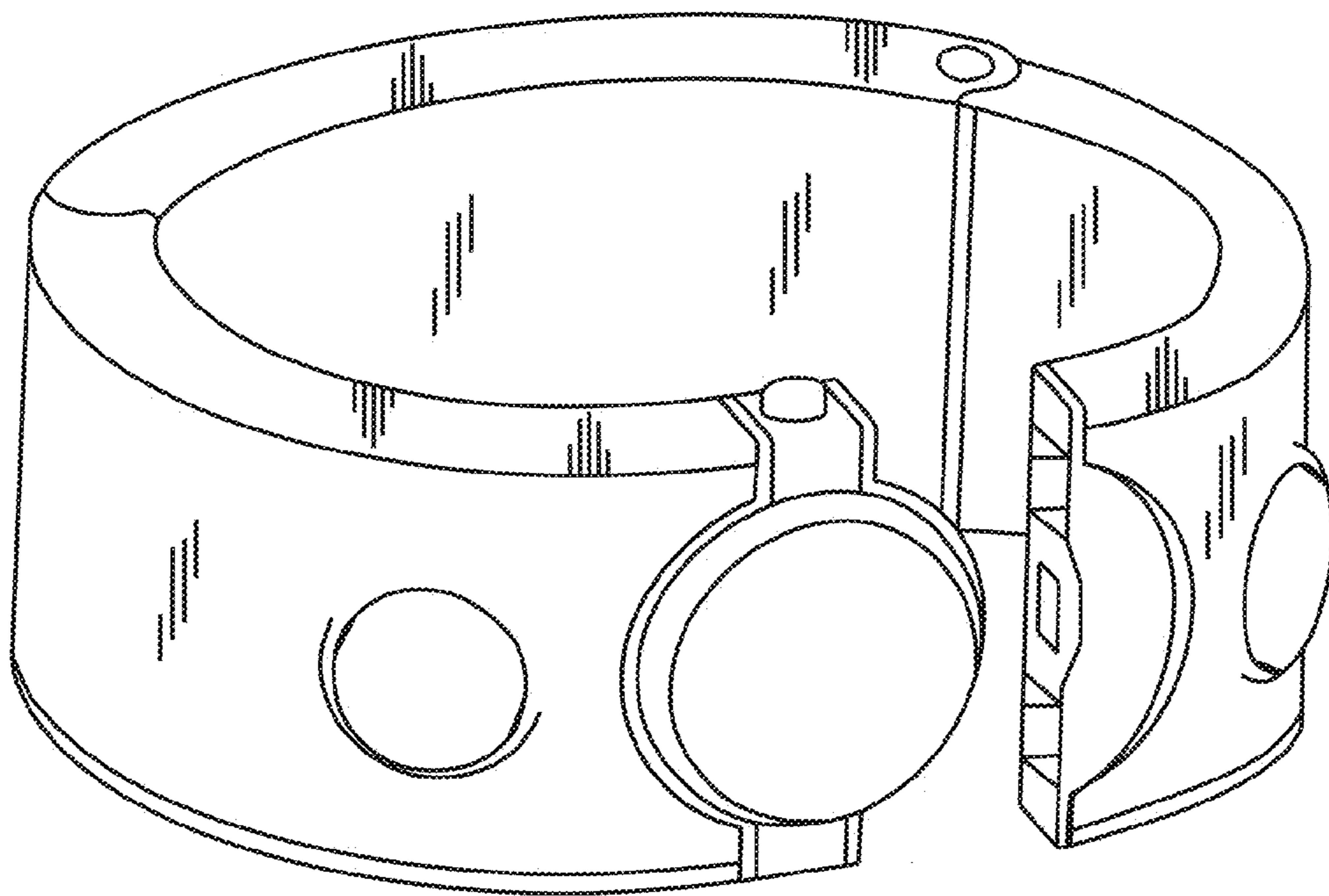


FIG. 11