

US00D753652S

(12) **United States Design Patent**  
**Endo et al.**

(10) **Patent No.:** **US D753,652 S**  
(45) **Date of Patent:** **\*\* Apr. 12, 2016**

(54) **PORTABLE INFORMATION TERMINAL**

FOREIGN PATENT DOCUMENTS

(71) Applicant: **SEMICONDUCTOR ENERGY LABORATORY CO., LTD.**, Atsugi-shi, Kanagawa-ken (JP)

TW 145519 11/1990

(72) Inventors: **Akio Endo**, Kanagawa (JP); **Masaaki Hiroki**, Kanagawa (JP)

OTHER PUBLICATIONS

Hirakata Yoshiharu et al., "Image Display Device", U.S. Appl. No. 29/478,750, filed Jan. 8, 2014, Specification and Drawings.

(Continued)

(73) Assignee: **SEMICONDUCTOR ENERGY LABORATORY CO., LTD.**, Kanagawa-ken (JP)

*Primary Examiner* — Prabhakar Deshmukh

(74) *Attorney, Agent, or Firm* — Nixon Peabody LLP; Jeffrey L. Costellia

(\*\*) Term: **14 Years**

(57) **CLAIM**

We claim, the ornamental design for a portable information terminal, as shown and described.

(21) Appl. No.: **29/501,263**

**DESCRIPTION**

(22) Filed: **Sep. 3, 2014**

(30) **Foreign Application Priority Data**

Mar. 13, 2014 (JP) ..... 2014-005327

(51) **LOC (10) Cl.** ..... **14-02**

(52) **U.S. Cl.**  
USPC ..... **D14/341**; D14/496

(58) **Field of Classification Search**  
USPC ..... D14/138 AB, 138 AD, 341–346, D14/203.1–203.7, 496, 143, 248, 218, D14/138 G, 147, 138 AC, 138 AA, 138 R, D14/434, 339, 340; 455/575.1, 556.2, 455/575.3, 566; D21/324, 328–333; 379/433.1, 433.04, 433.12; D13/168; 273/148 B

CPC ..... G06F 3/041; G06F 3/0488; G06F 3/14; H04M 1/021

See application file for complete search history.

FIG. 1 is a front elevation view of a portable information terminal showing our new design; FIG. 2 is a rear elevation view thereof; FIG. 3 is a right side elevation view thereof; FIG. 4 is a left side elevation view thereof; FIG. 5 is a top plan view thereof; FIG. 6 is a bottom plan view thereof; FIG. 7 is a front elevation view thereof, shown in folded position; FIG. 8 is a rear elevation view of FIG. 7; FIG. 9 is a right side elevation view of FIG. 7; FIG. 10 is a left side elevation view of FIG. 7; FIG. 11 is a top plan view of FIG. 7; FIG. 12 is a bottom plan view of FIG. 7; FIG. 13 is a front perspective view thereof, shown in unfolded position; and, FIG. 14 is a front perspective view thereof, shown in folded position.

The portable information terminal can function as a computer, a media reproducing device (e.g., a music player, a video player, or a game player), a media storage device, a communication device (e.g., a mobile phone) or the like, for example. The portable information terminal includes a flexible display which can be curved. The flexible display is held by a housing and two supports. The flexible display can be placed on a front side of the housing. The portable information terminal can be used in a state in which the flexible display is tri-folded, unfolded or curved as necessary.

The portable information terminal is used in a state in which the flexible display is folded, unfolded or curved as necessary.

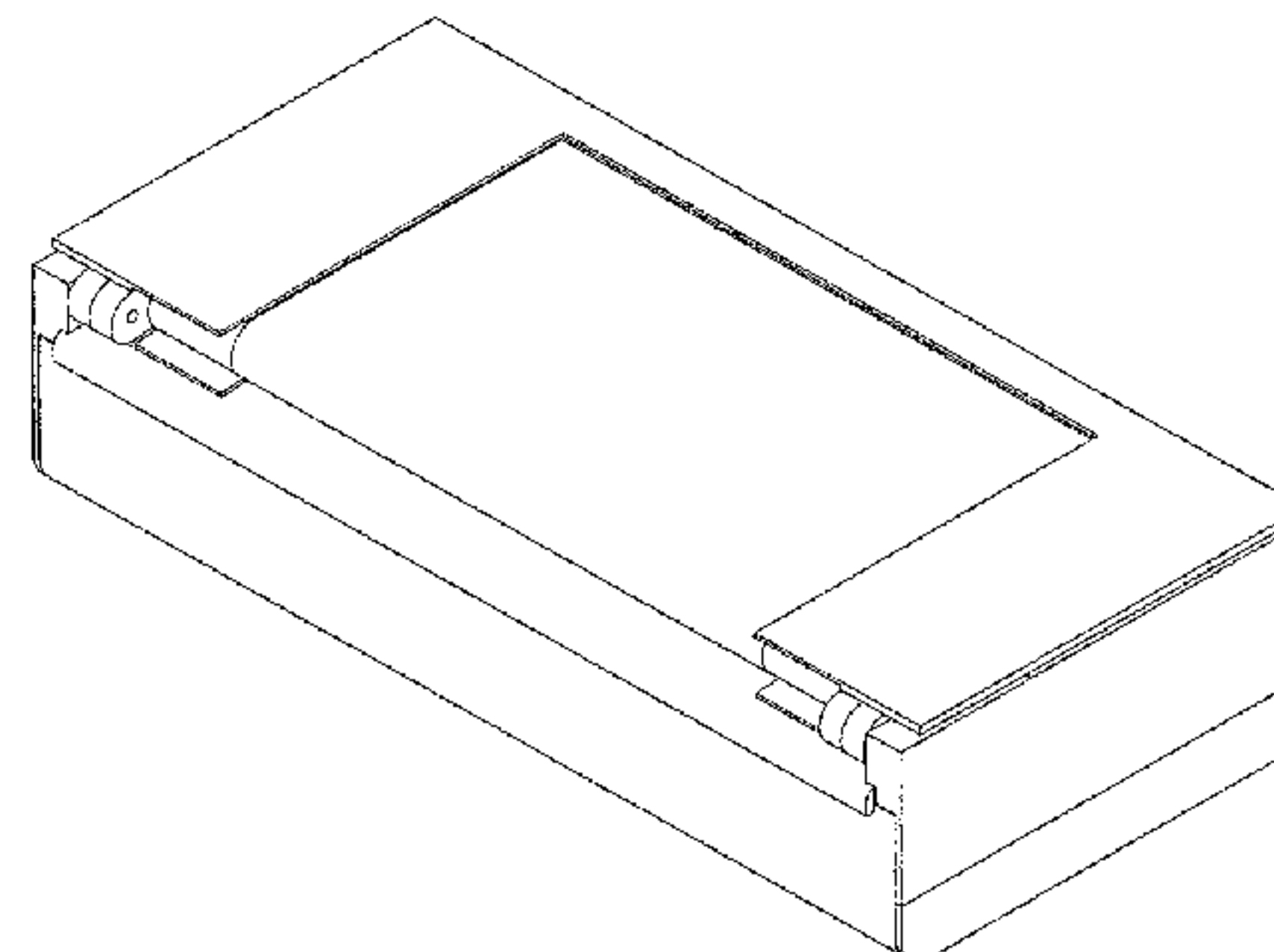
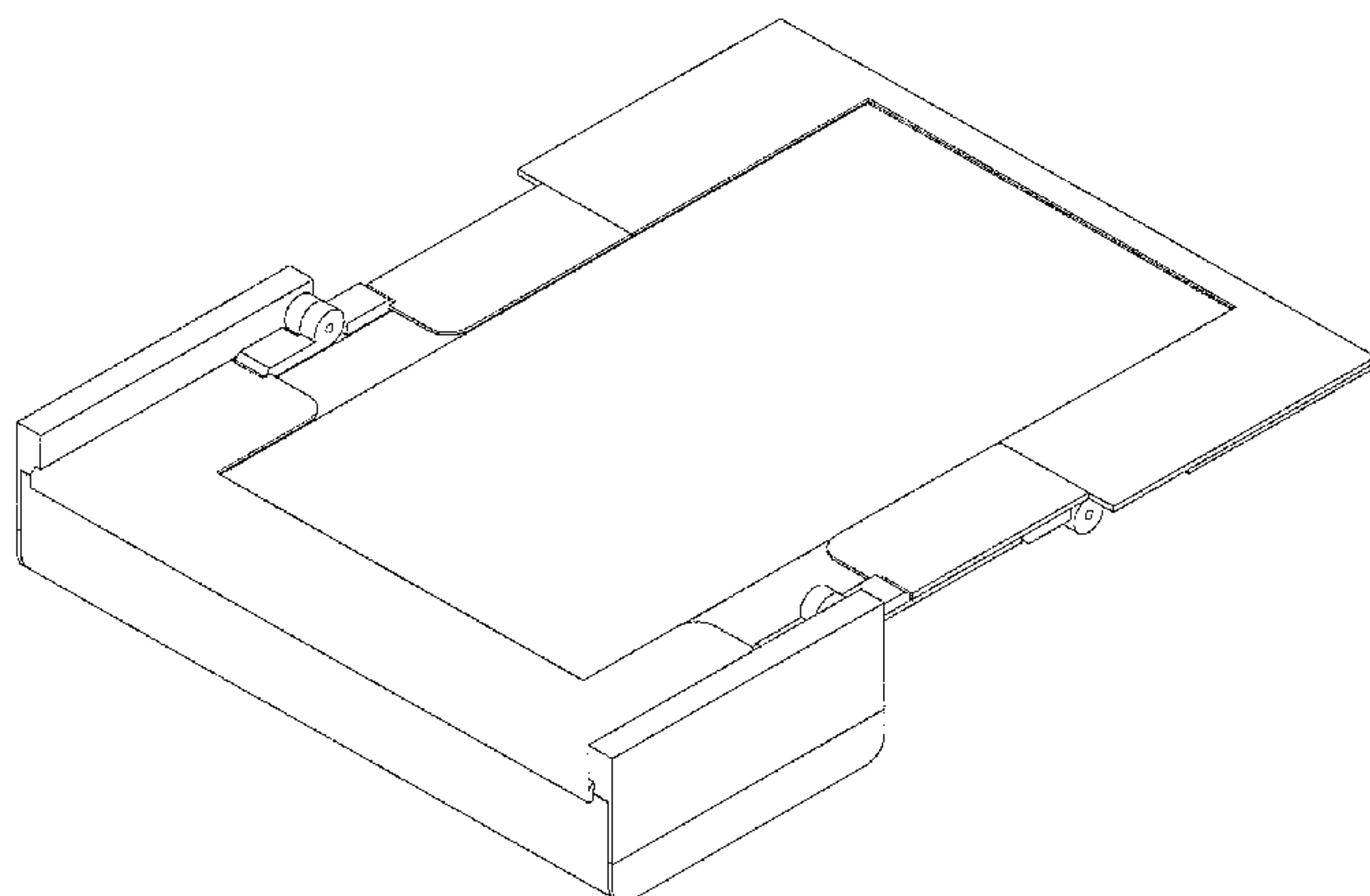
(56) **References Cited**

U.S. PATENT DOCUMENTS

5,887,373 A \* 3/1999 Byers ..... A47G 1/065  
40/605  
6,353,529 B1 \* 3/2002 Cies ..... G06F 1/1616  
248/917

(Continued)

**1 Claim, 7 Drawing Sheets**



(56)

**References Cited**

U.S. PATENT DOCUMENTS

D493,463 S \* 7/2004 Takahashi ..... D14/345  
D586,364 S \* 2/2009 Hermansen ..... D14/496  
8,692,735 B2 \* 4/2014 Kawashimo ..... G09G 3/20  
345/1.1  
D716,750 S \* 11/2014 Matsumoto ..... D14/138 AB  
D724,578 S \* 3/2015 Yamazaki ..... D14/341  
8,972,658 B2 \* 3/2015 Yoshino ..... A63F 13/00  
463/43  
8,982,070 B2 \* 3/2015 Tomimori ..... G06F 3/0483  
345/1.1  
D735,711 S \* 8/2015 Kuwabara ..... D14/344

OTHER PUBLICATIONS

Shunpei Yamazaki et al., "Portable Information Terminal", U.S.  
Appl. No. 29/478,747, filed Jan. 8, 2014, Specification and Drawings.  
Shunpei Yamazaki et al., "Portable Information Transmittal", U.S.  
Appl. No. 29/478,765, filed Jan. 8, 2014, Specification and Drawings.  
Shunpei Yamazaki et al., "Portable Information Terminal", U.S.  
Appl. No. 29/478,786, filed Jan. 8, 2014, Specification and Drawings.  
Shunpei Yamazaki et al., "Portable Information Terminal", U.S.  
Appl. No. 29/478,760, filed Jan. 8, 2014, Specification and Drawings.

\* cited by examiner

FIG. 1

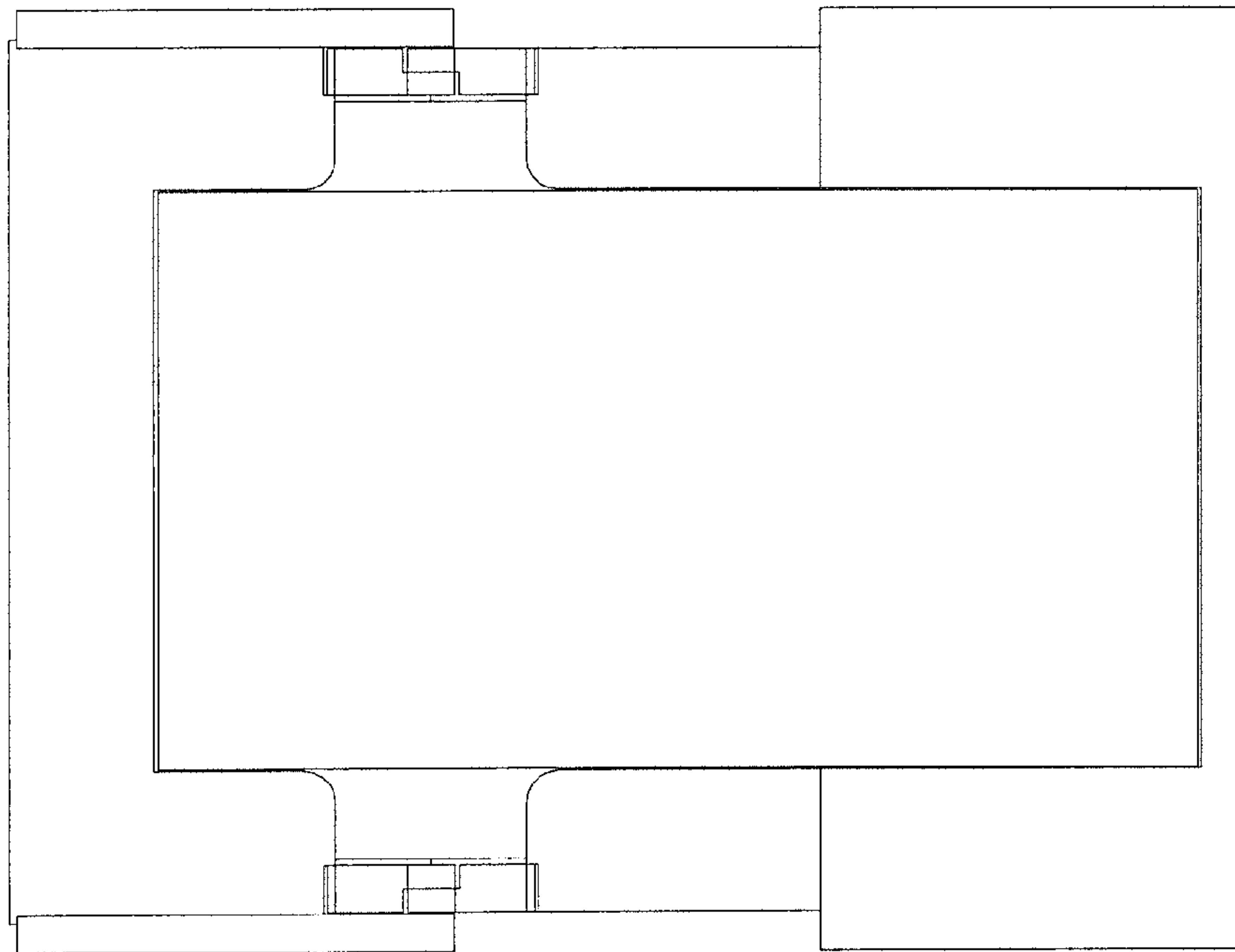


FIG. 2

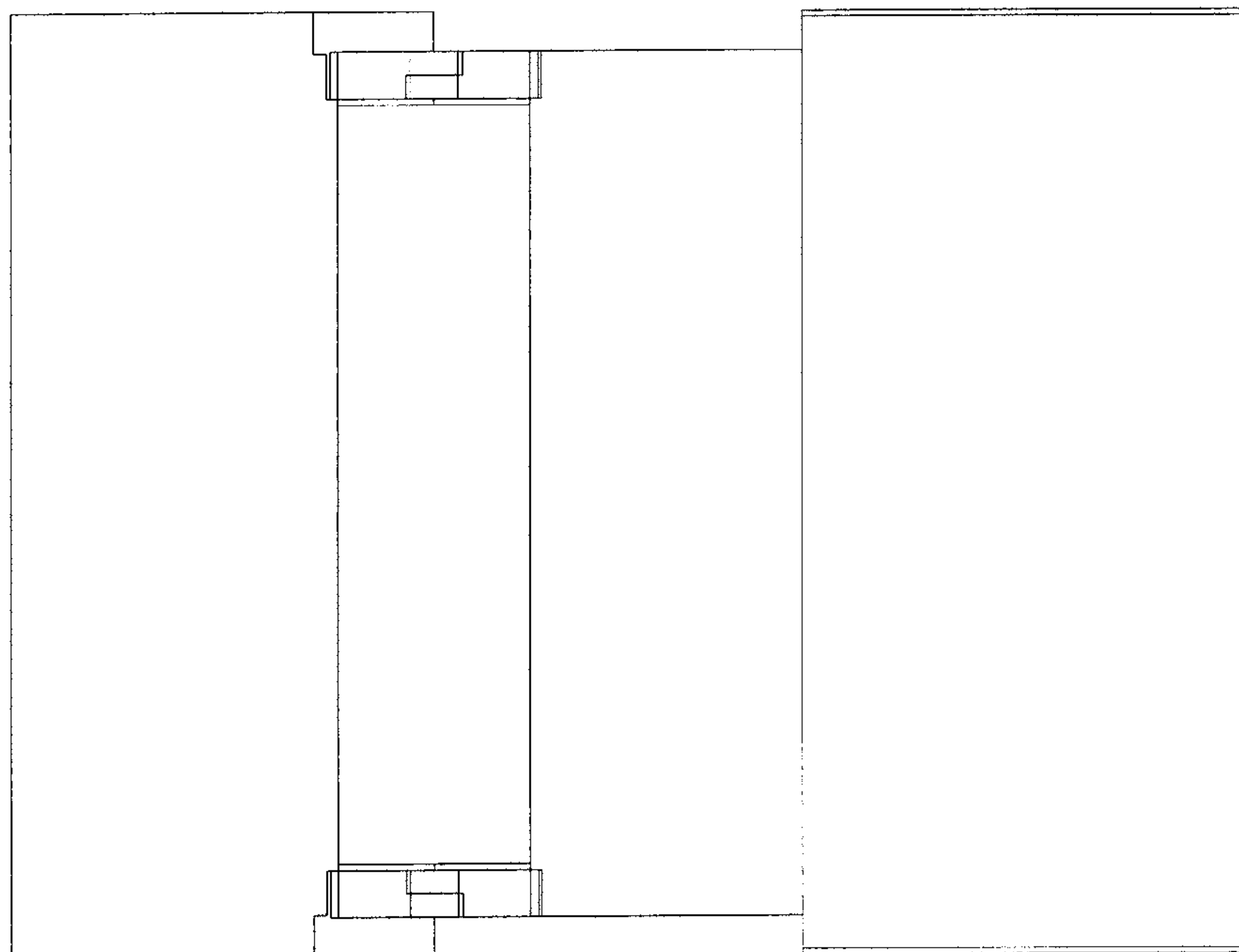


FIG. 3

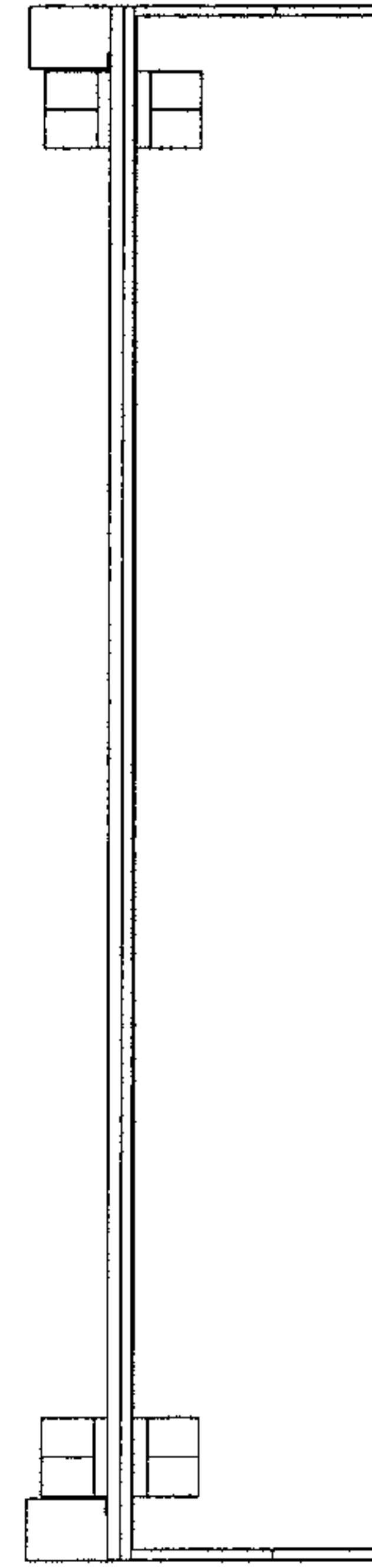


FIG. 4

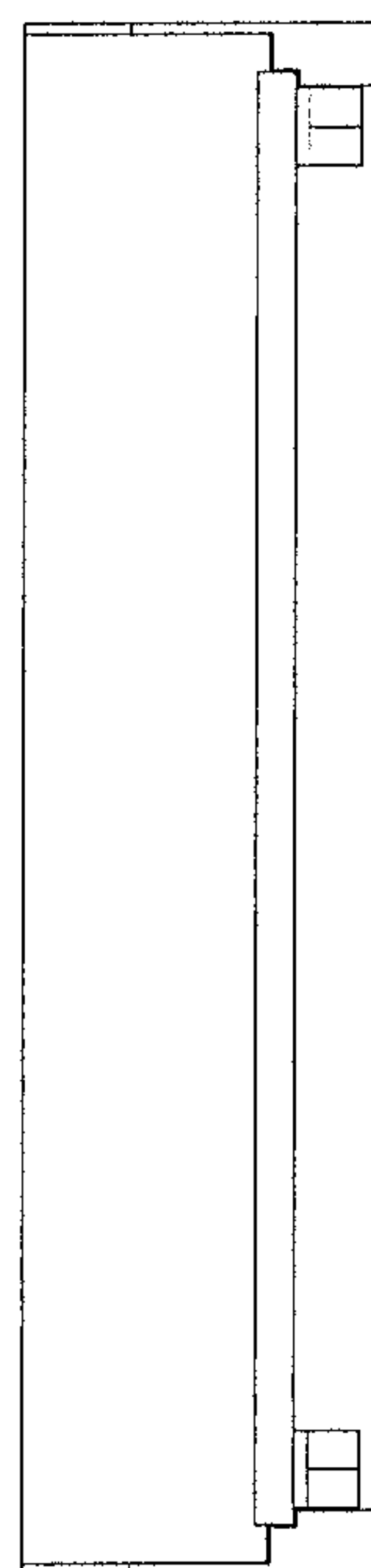


FIG. 5

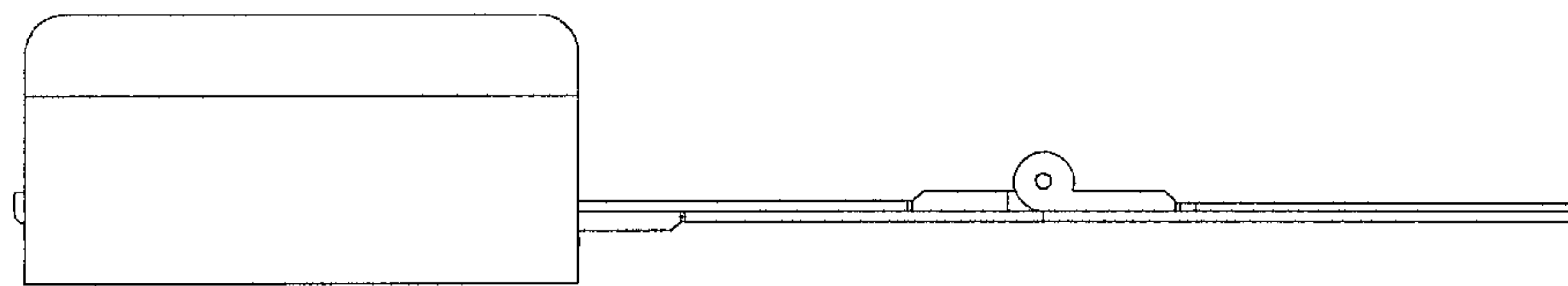


FIG. 6

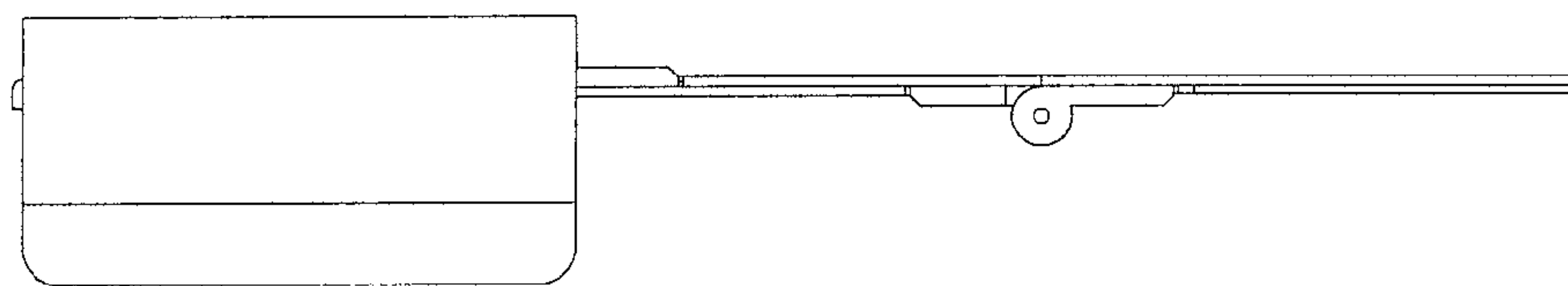


FIG. 7

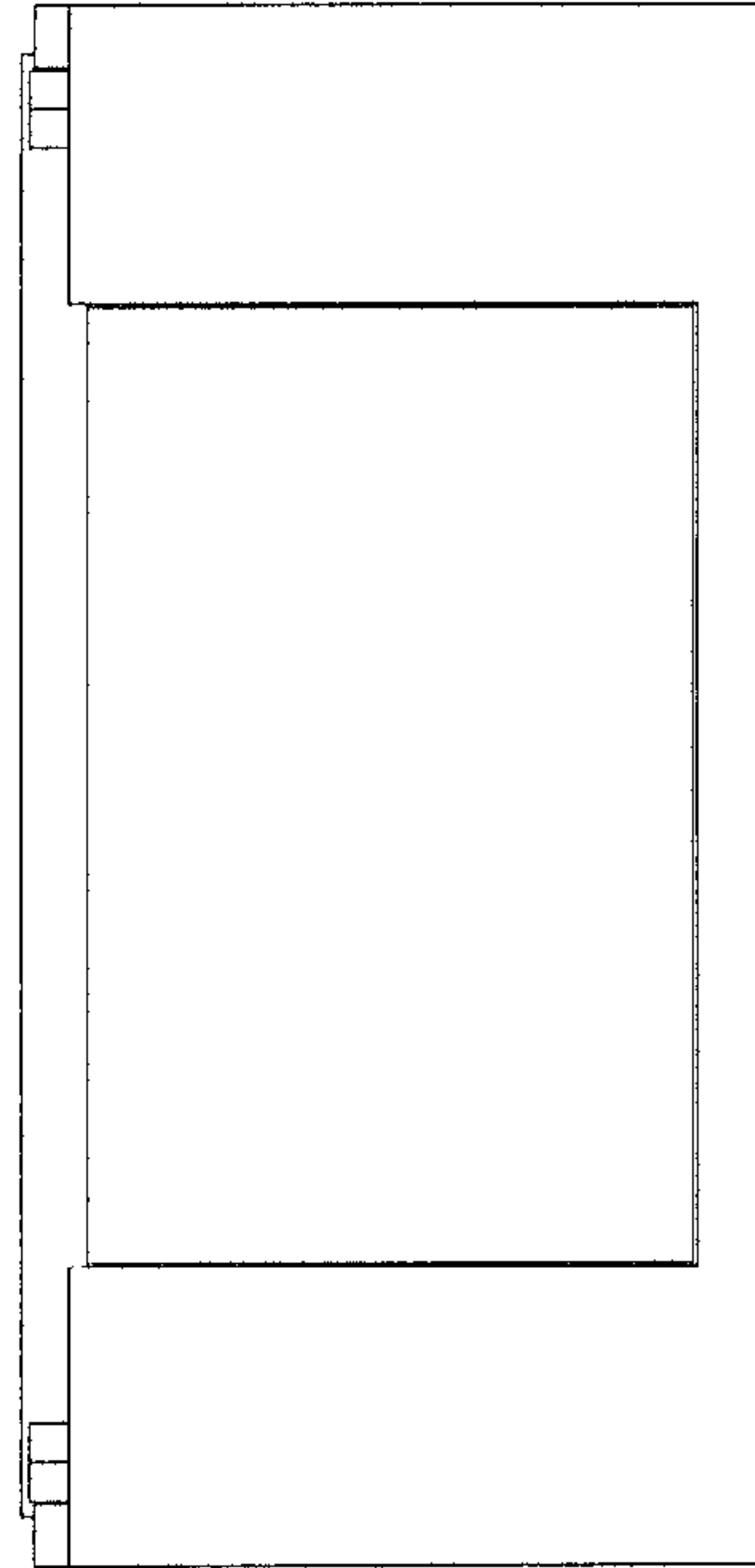


FIG. 8

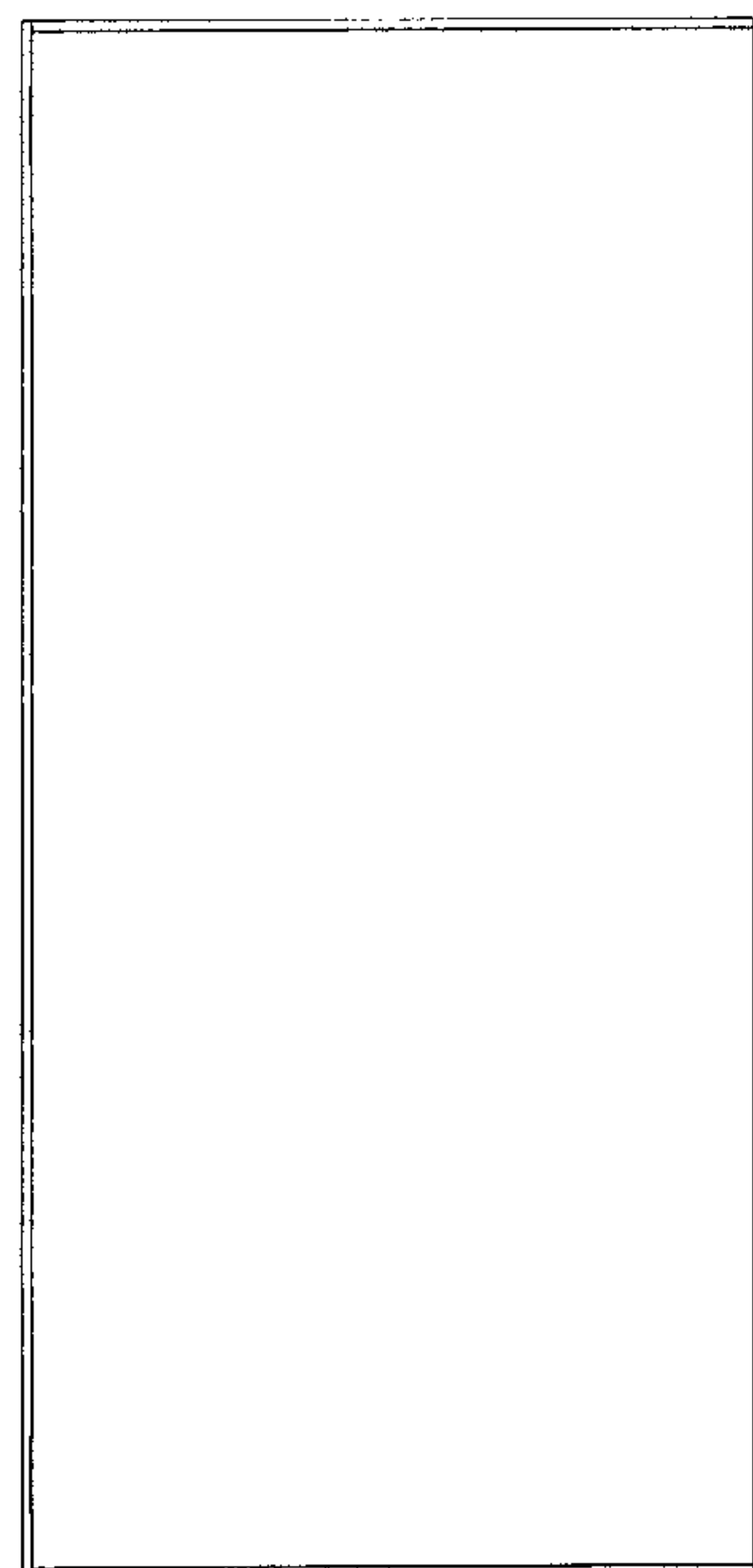


FIG. 9

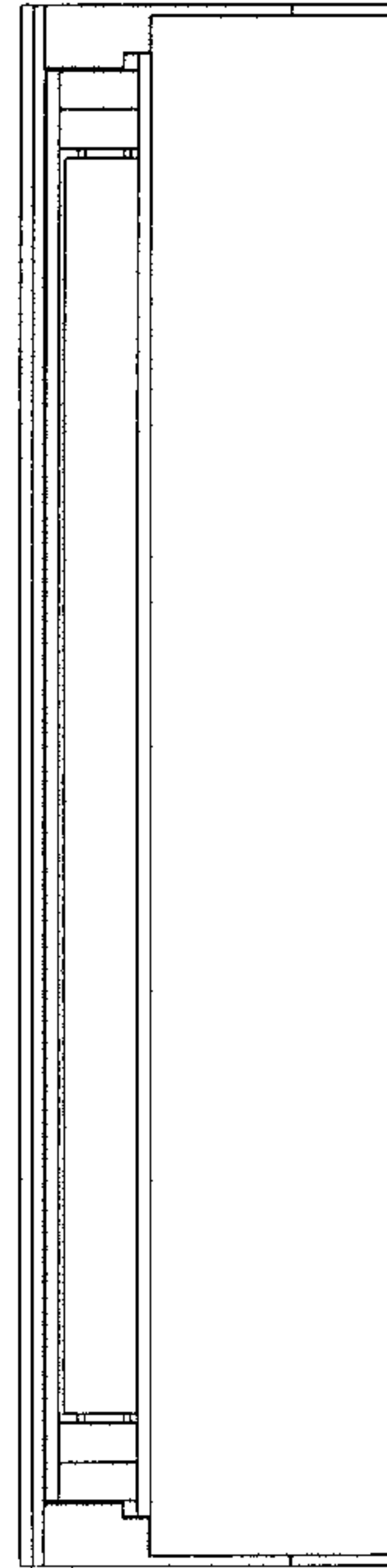


FIG. 10

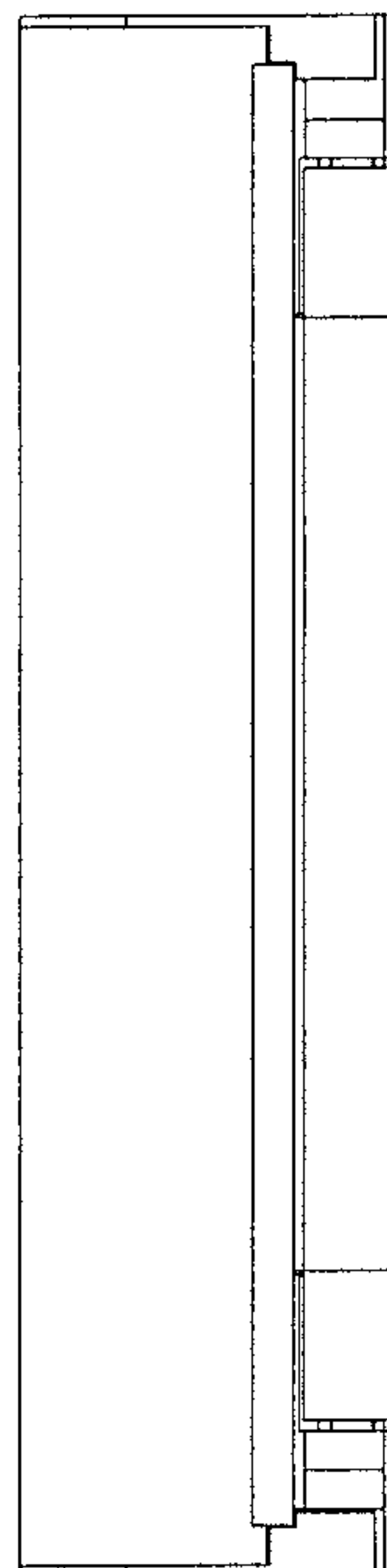


FIG. 11

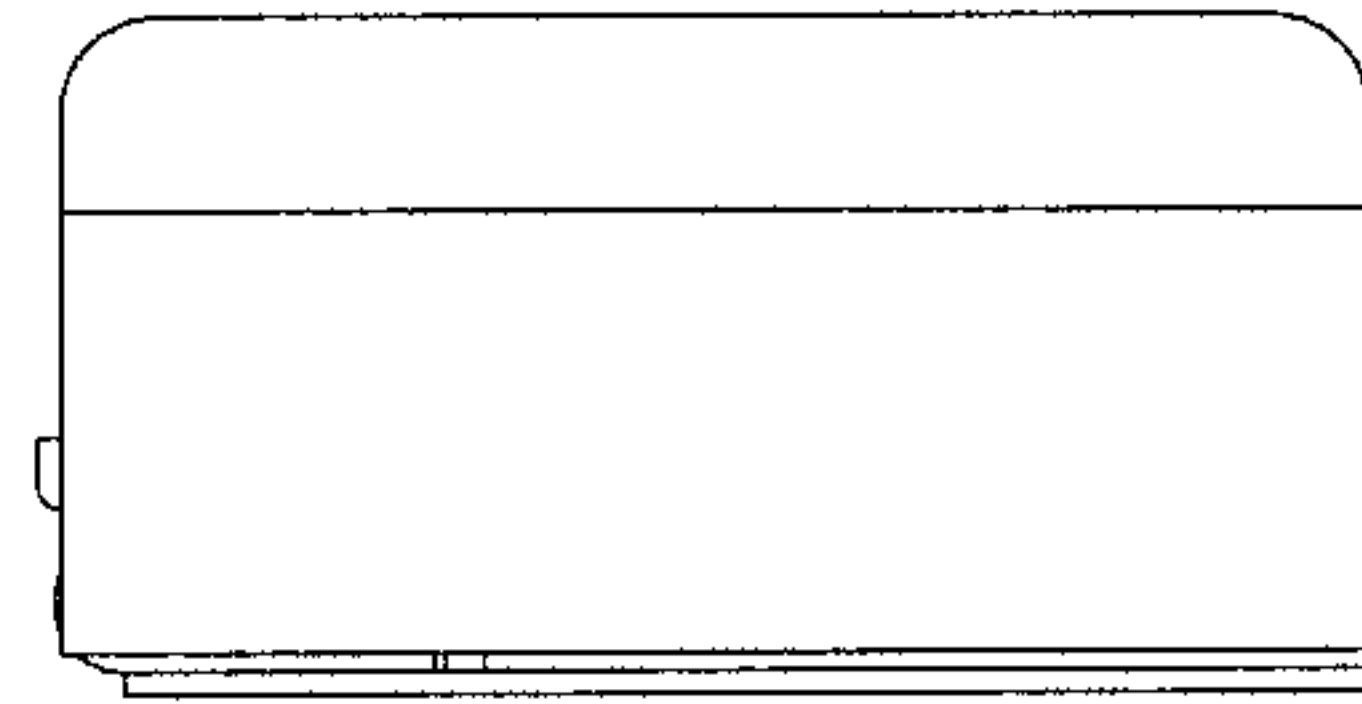


FIG. 12

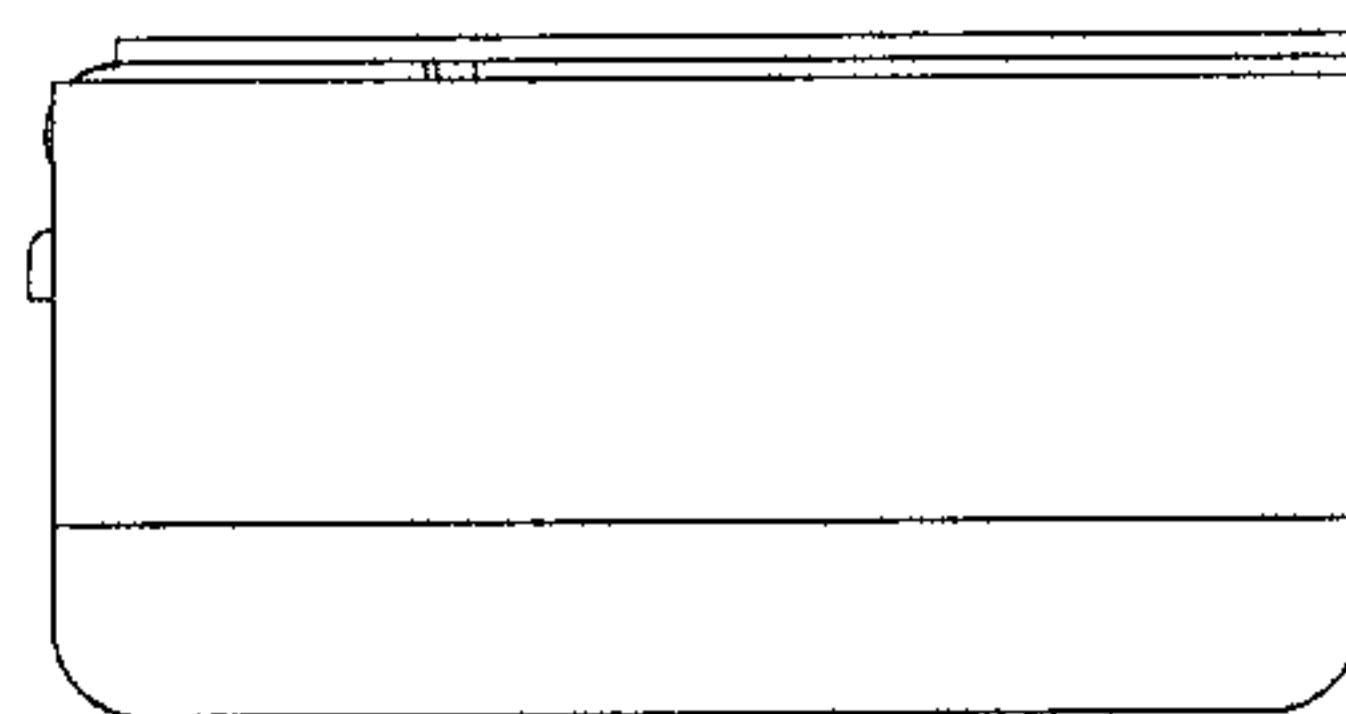




FIG. 13

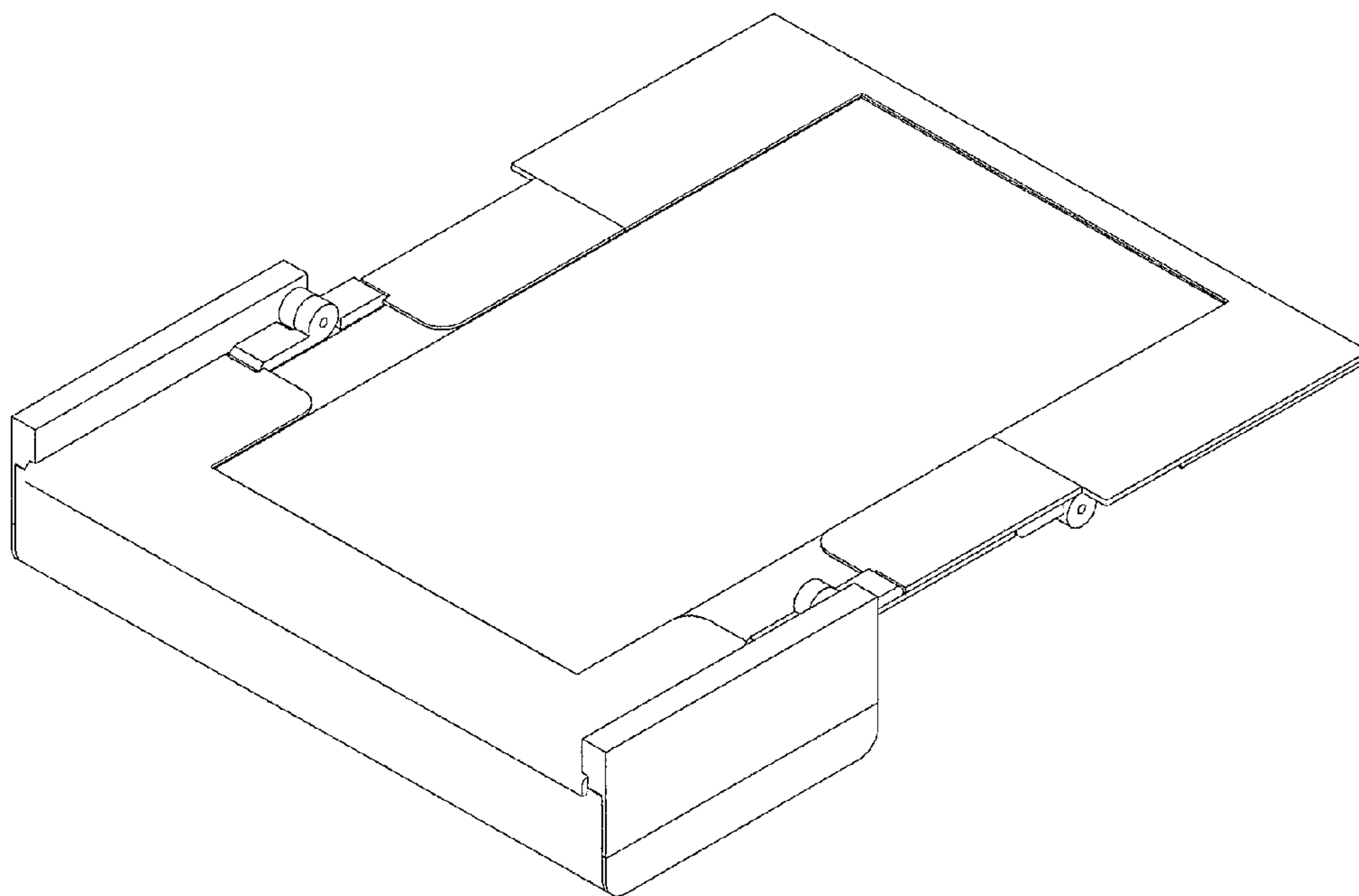


FIG. 14

