

US00D753651S

(12) **United States Design Patent**
Hong et al.

(10) **Patent No.:** **US D753,651 S**
(45) **Date of Patent:** **** Apr. 12, 2016**

- (54) **TABLET COMPUTER**
- (71) Applicant: **Hewlett-Packard Development Company, L.P.**, Houston, TX (US)
- (72) Inventors: **Insun Hong**, Houston, TX (US); **Dimitre Mehandjiysky**, Houston, TX (US); **Kevin L. Massaro**, Houston, TX (US); **Ming-Chih Kuo**, Taipei (TW)
- (73) Assignee: **Hewlett-Packard Development Company, L.P.**, Houston, TX (US)
- (**) Term: **14 Years**
- (21) Appl. No.: **29/497,603**
- (22) Filed: **Jul. 25, 2014**
- (51) **LOC (10) Cl.** **14-02**
- (52) **U.S. Cl.**
USPC **D14/341**
- (58) **Field of Classification Search**
USPC D14/341, 138 G, 138 R, 138 AA, 248, 14/496, 126, 129, 132, 451; 361/679.56; 455/575.4
CPC G06F 1/16
See application file for complete search history.

(56) **References Cited**

U.S. PATENT DOCUMENTS

D321,346 S *	11/1991	Sugiyama	D14/129
D337,569 S *	7/1993	Kando	D14/341
D340,701 S *	10/1993	Takeuchi	D14/341
D342,497 S *	12/1993	Saito	D14/126
D415,147 S *	10/1999	Adachi	D14/126
D427,169 S *	6/2000	Saeki	D14/126
D429,227 S *	8/2000	Shimizu	D14/126
D432,101 S *	10/2000	Oba	D14/126
D434,763 S *	12/2000	Jobs	D14/375
D453,333 S *	2/2002	Chen	D14/374
D473,531 S *	4/2003	Kubota	D14/126
D490,420 S *	5/2004	Solomon	D14/341
D497,146 S *	10/2004	Asanuma	D14/126

D503,160 S *	3/2005	Peng	D14/129
D504,889 S *	5/2005	Andre	D14/341
D531,150 S *	10/2006	Yabe	D14/129
D540,203 S *	4/2007	Jeon	D10/65
D541,682 S *	5/2007	Uno	D10/65
D560,227 S *	1/2008	Bennett	D14/496
D582,916 S *	12/2008	Wada	D14/371
D585,399 S *	1/2009	Hwang	D14/130
D590,374 S *	4/2009	Madonna	D14/218
D590,378 S *	4/2009	Bradford	D14/223
D594,356 S *	6/2009	Riddiford	D10/65
D596,173 S *	7/2009	Arfin	D14/307
D619,553 S *	7/2010	Katsumata	D14/126
7,768,508 B2 *	8/2010	Okuley	G06F 1/162 345/168
D625,306 S *	10/2010	Miyawaki	D14/341
D636,769 S *	4/2011	Wood	D14/341
D637,596 S *	5/2011	Akana	D14/341

(Continued)

Primary Examiner — Paula Greene

(74) *Attorney, Agent, or Firm* — Foley & Lardner

(57) **CLAIM**

We claim the ornamental design for a tablet computer, as shown and described.

DESCRIPTION

FIG. 1 is a top, front, right perspective view of an embodiment of the claimed design;

FIG. 2 is a front elevation view thereof;

FIG. 3 is a rear elevation view thereof;

FIG. 4 is a left elevation view thereof;

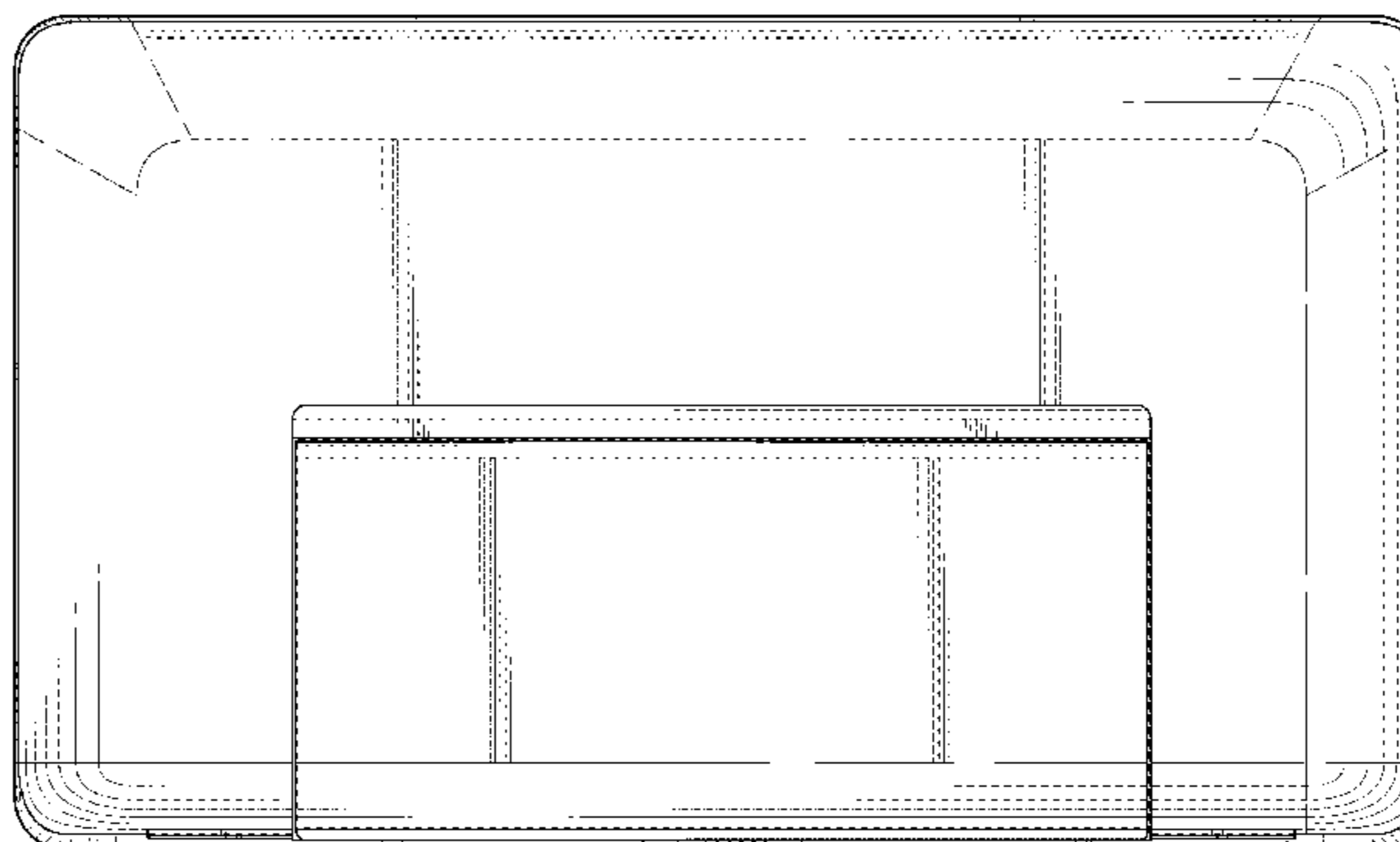
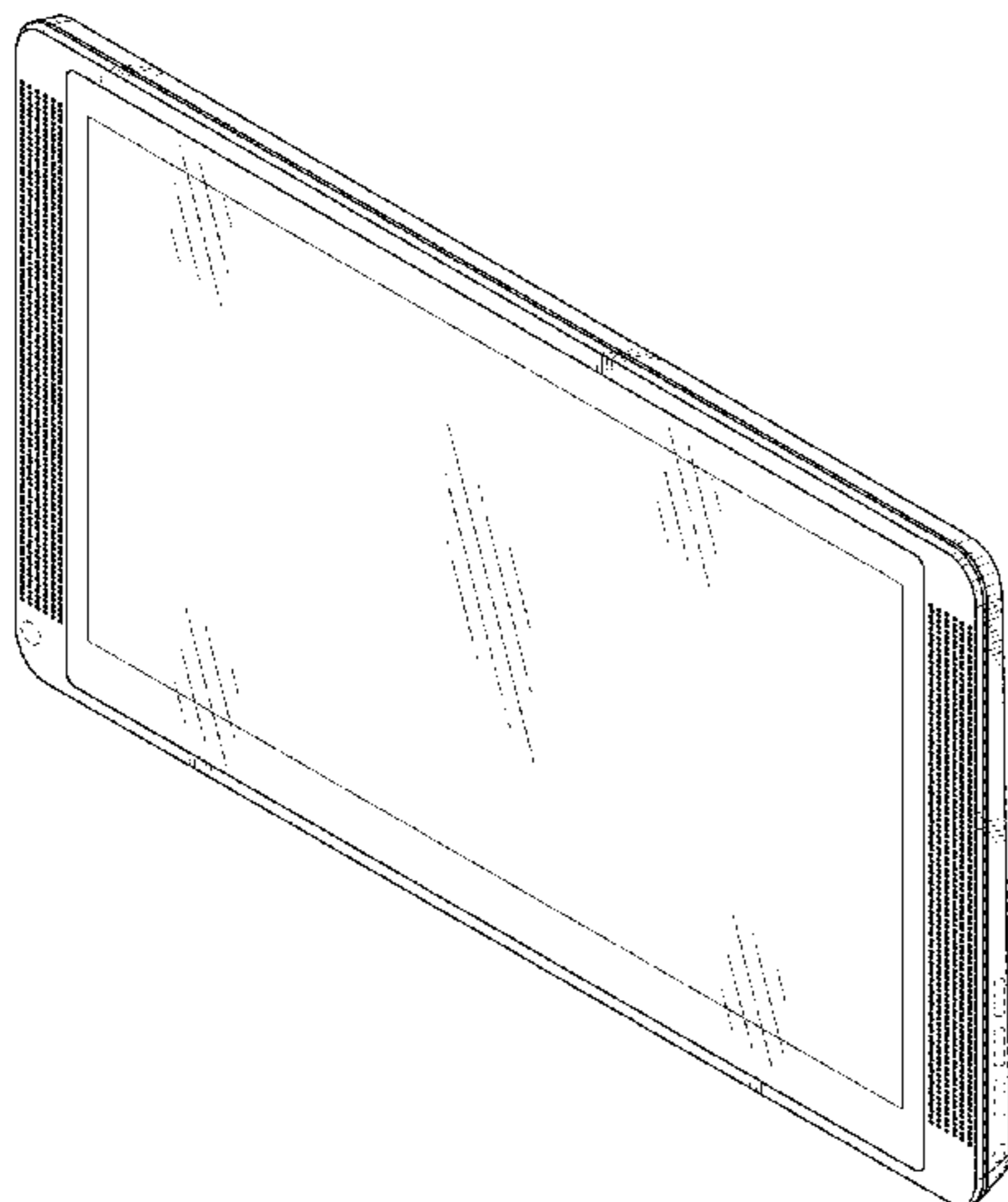
FIG. 5 is a right elevation view thereof;

FIG. 6 is a top plan view thereof; and,

FIG. 7 is a bottom plan view thereof.

The ornamental design which is claimed is shown in solid lines in the drawings. The broken lines in the drawings form no part of the claimed design. Broken lines formed by equal length dashes show unclaimed subject matter. Broken lines formed by unequal length dashes (i.e., dash-dot) define bounds of the claimed design.

1 Claim, 5 Drawing Sheets



(56)

References Cited

U.S. PATENT DOCUMENTS

D637,985 S *	5/2011	Andresen	D14/126	D680,524 S *	4/2013	Feng	D14/341
D639,804 S *	6/2011	Hwang	D14/341	D684,970 S *	6/2013	Zhang	D14/341
D645,833 S *	9/2011	Seflic	D14/138 G	D695,249 S *	12/2013	Kim	D14/138 G
D653,661 S *	2/2012	Ohrstrom	D14/341	D696,246 S *	12/2013	Kim	D14/341
D654,074 S *	2/2012	Wood	D14/341	D720,746 S *	1/2015	Chung	D14/341
D668,651 S *	10/2012	Kim	D14/138 G	D737,813 S *	9/2015	Hirooka	D14/341
D671,514 S *	11/2012	Kim	D14/138 G	2006/0164400 A1 *	7/2006	Sun	G06F 3/03547 345/173
D678,271 S *	3/2013	Chiu	D14/341	2008/0045279 A1 *	2/2008	Ohki	H04M 1/0247 455/575.1
D678,877 S *	3/2013	Groene	D14/341	2013/0027862 A1 *	1/2013	Rayner	G06F 1/1656 361/679.3

* cited by examiner

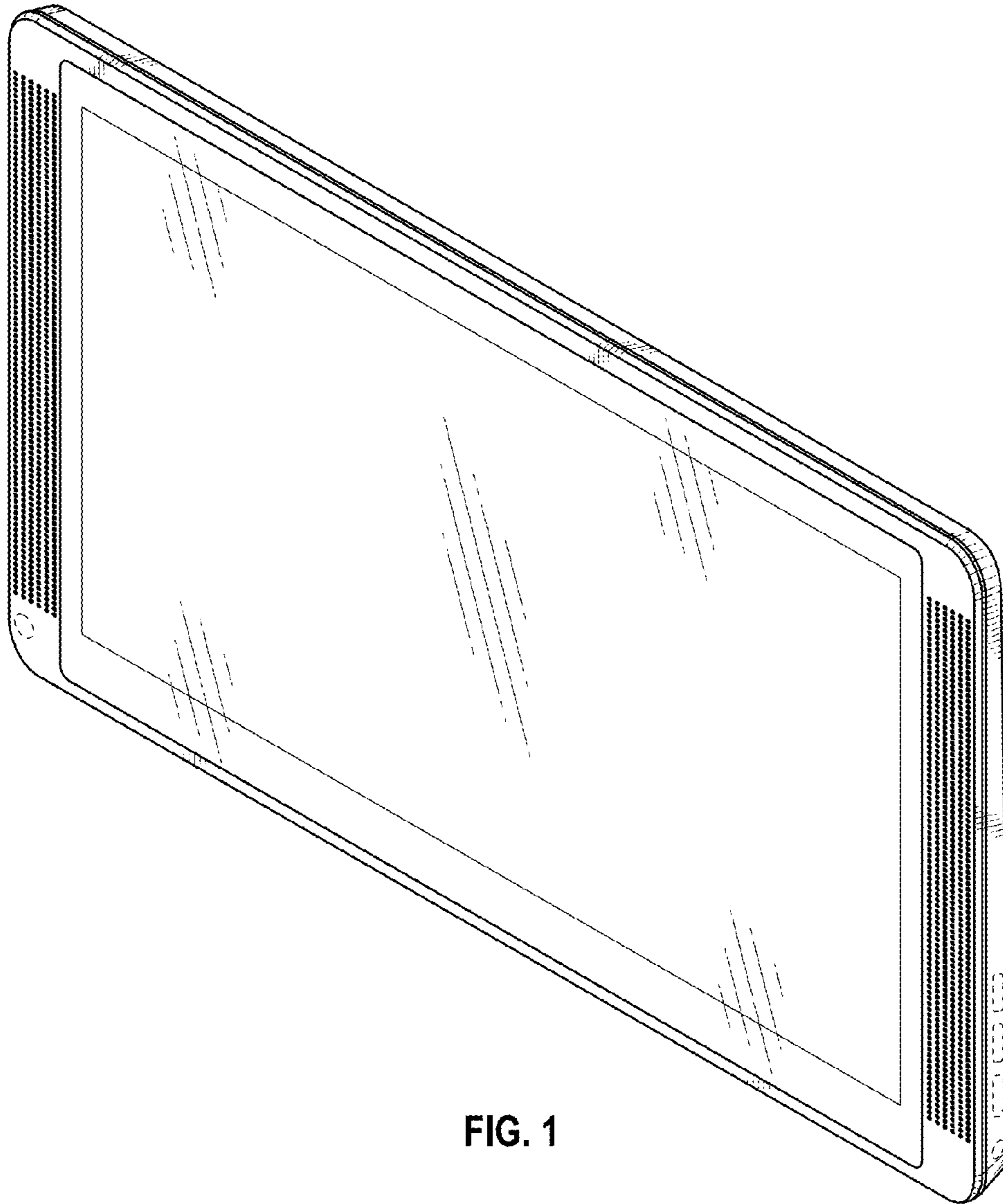


FIG. 1

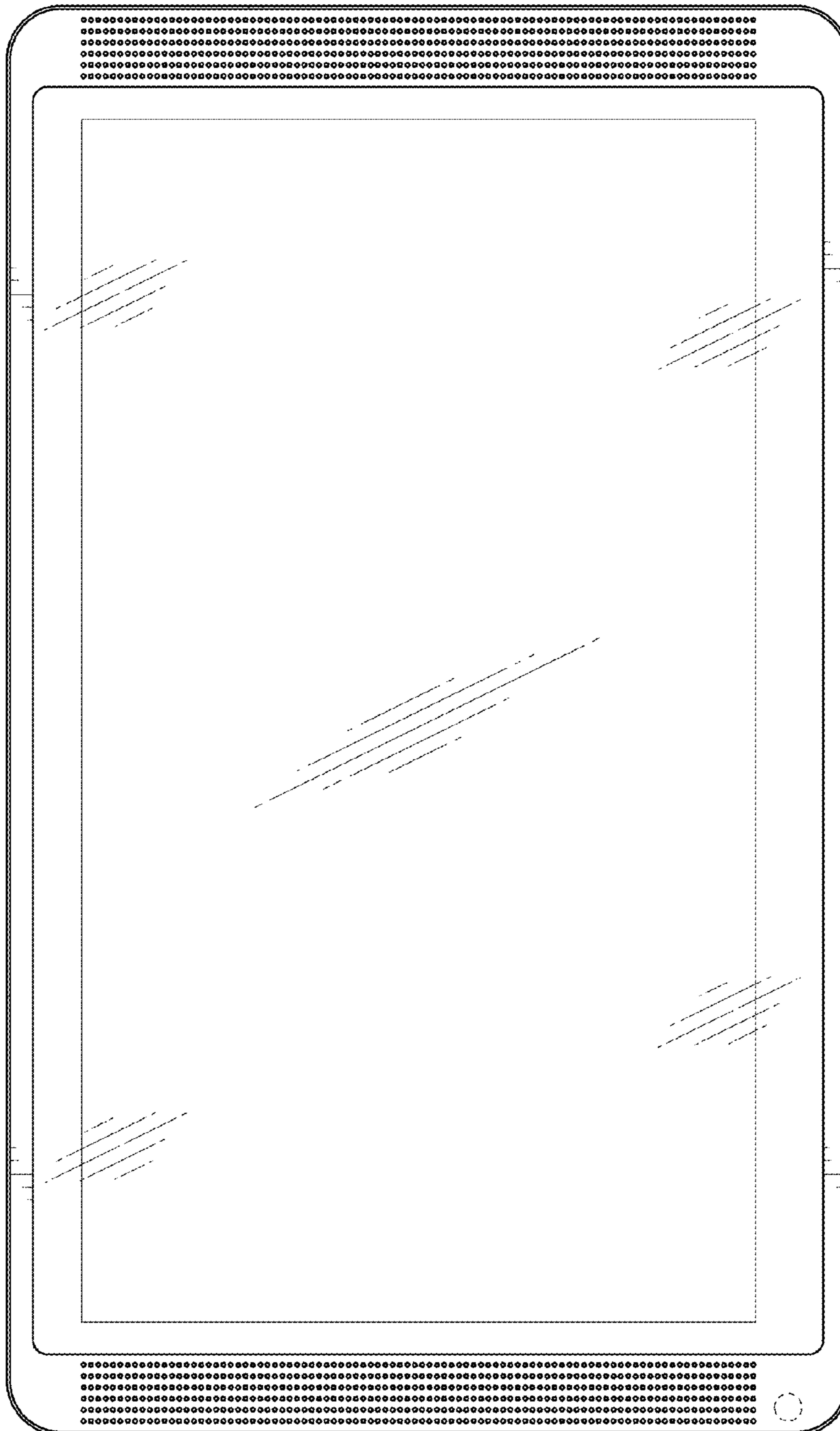


FIG. 2

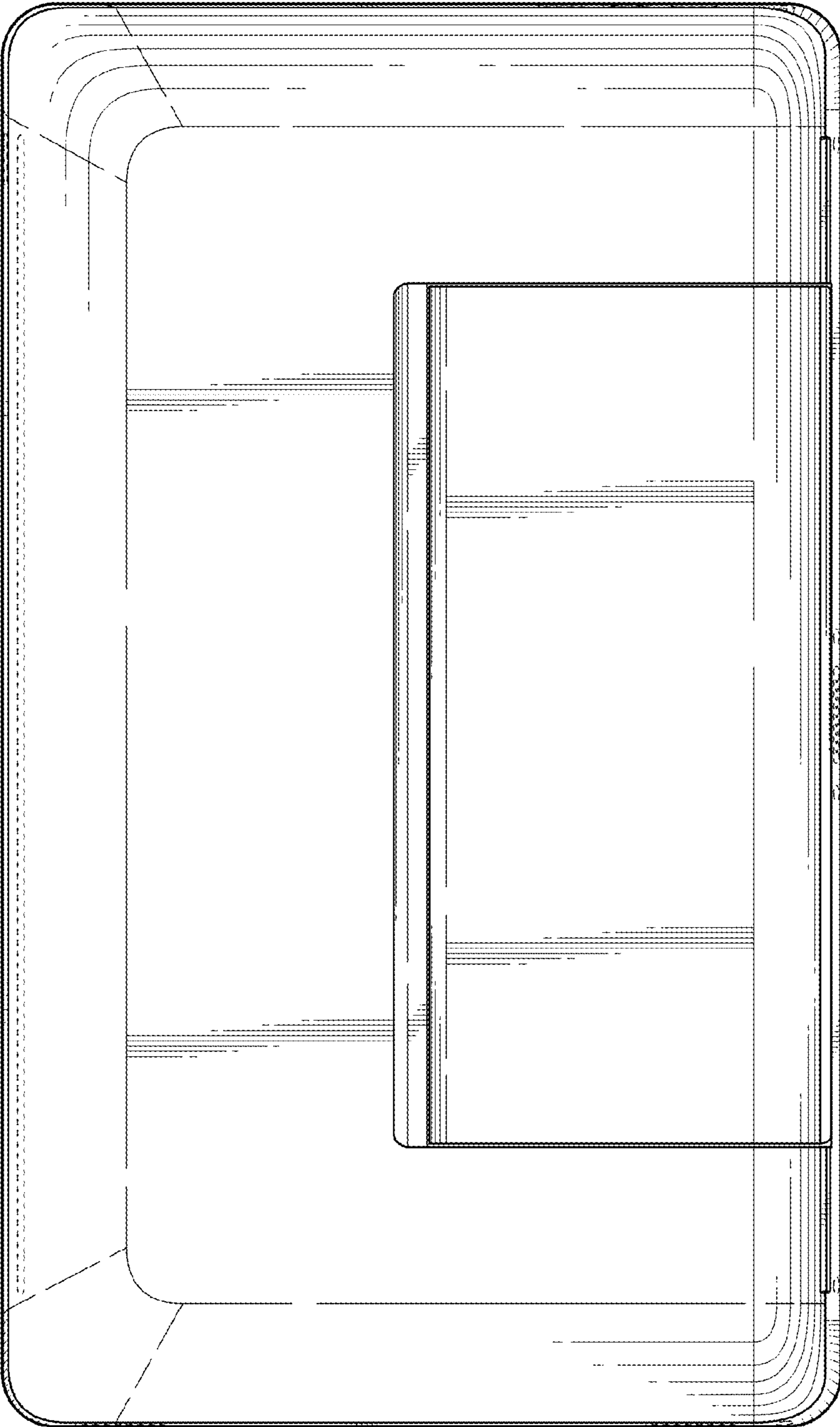


FIG. 3

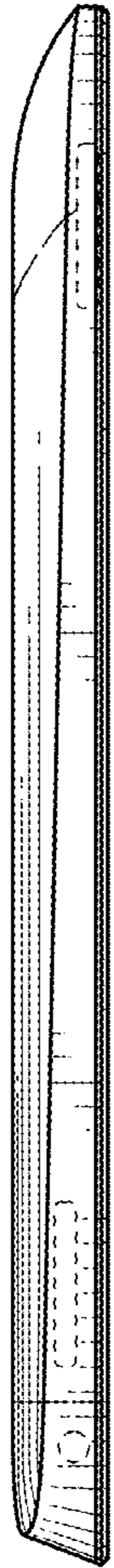


FIG. 4



FIG. 5

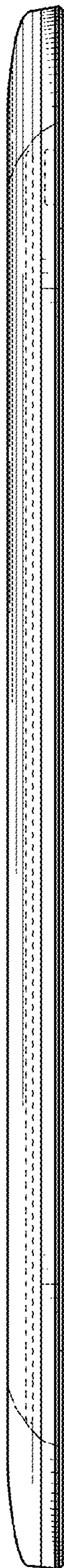


FIG. 6

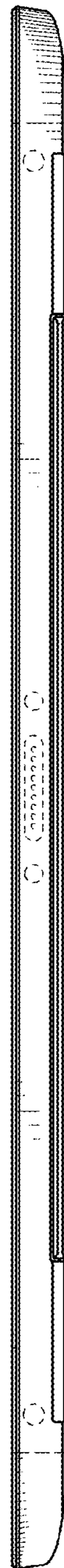


FIG. 7