



US00D753650S

(12) **United States Design Patent**
Tanaka et al.

(10) **Patent No.:** **US D753,650 S**
(45) **Date of Patent:** **** Apr. 12, 2016**

(54) **PORTABLE COMPUTER**

(56) **References Cited**

(71) Applicant: **Panasonic Intellectual Property Management Co., Ltd.**, Osaka (JP)
(72) Inventors: **Yohei Tanaka**, Osaka (JP); **So Suzuki**, Osaka (JP); **Takashi Tsukahara**, Osaka (JP); **Satoshi Tanigawa**, Tokyo (JP); **Yoshito Ishikawa**, Osaka (JP)

U.S. PATENT DOCUMENTS

D558,754 S * 1/2008 Takemasa D14/328
D572,479 S * 7/2008 Buck D3/282
D586,798 S * 2/2009 Tanaka D14/315
D623,644 S * 9/2010 Hsu D14/315
D623,648 S * 9/2010 Hsu D14/324
D673,557 S * 1/2013 Cruz D14/315
2004/0112776 A1 * 6/2004 Lord G06F 1/1616
206/320

(73) Assignee: **Panasonic Intellectual Property Management Co., Ltd.**, Osaka (JP)

FOREIGN PATENT DOCUMENTS

(**) Term: **14 Years**

JP D1492228 3/2014
JP D1492740 3/2014

(21) Appl. No.: **29/518,001**

* cited by examiner

(22) Filed: **Feb. 19, 2015**

Primary Examiner — Freda S Nunn

(30) **Foreign Application Priority Data**

(74) *Attorney, Agent, or Firm* — Panasonic Patent Center

Sep. 4, 2014 (JP) 2014-019481

(57) **CLAIM**

We claim the ornamental design for a portable computer, as shown and described.

(51) **LOC (10) Cl.** **14-02**

DESCRIPTION

(52) **U.S. Cl.**

USPC **D14/315**

(58) **Field of Classification Search**

USPC D14/315-327; D18/1, 2, 7, 11; 235/145 A, 145 R; 341/22, 23; 345/104, 345/156, 168, 169, 173; 361/679.08, 361/679.09, 679.11, 679.26, 679.27

CPC G06F 1/16; G06F 1/1616; G06F 1/1626; G06F 1/1632; G06F 1/1613; G06F 1/1601; G06F 1/1618; G06F 1/162; G06F 1/166; G06F 1/1654; G06F 1/1681; G06F 1/1637; G06F 1/1688; H01R 35/02; H03M 11/00; G09B 13/04; H03K 17/94; G09G 5/00; F16M 11/10; H05K 5/00; H04M 1/0237

See application file for complete search history.

1 Claim, 9 Drawing Sheets

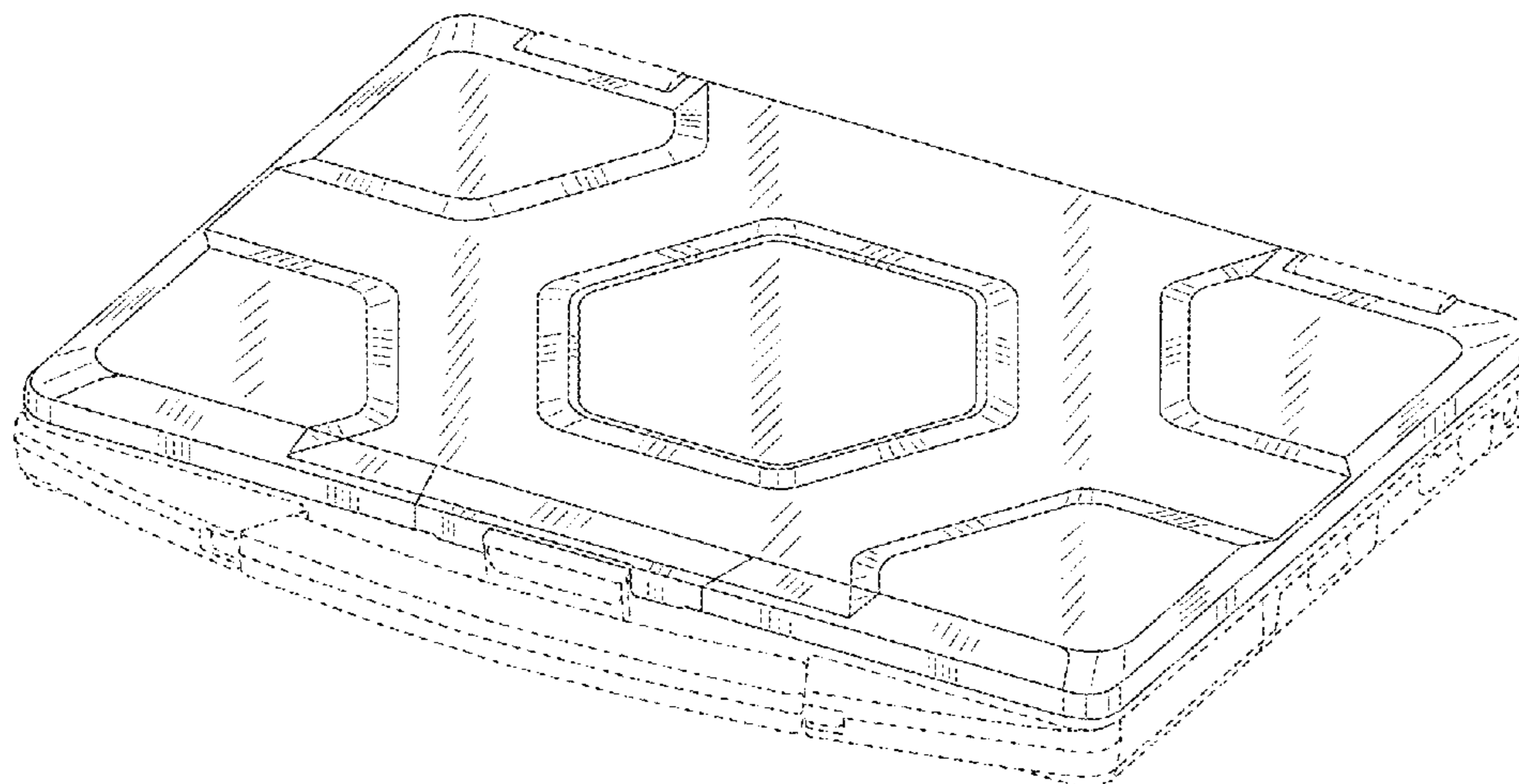


FIG. 1

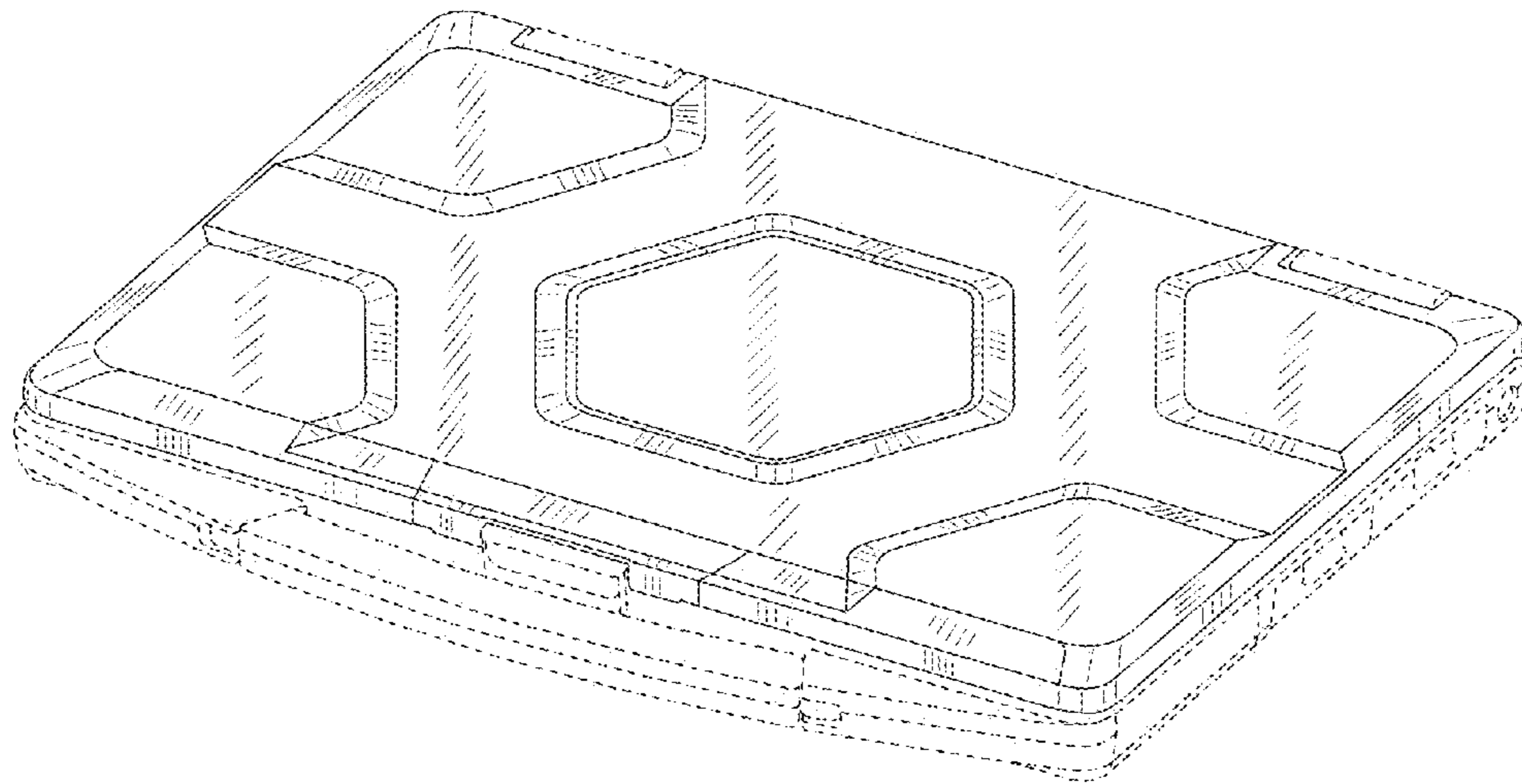


FIG. 2

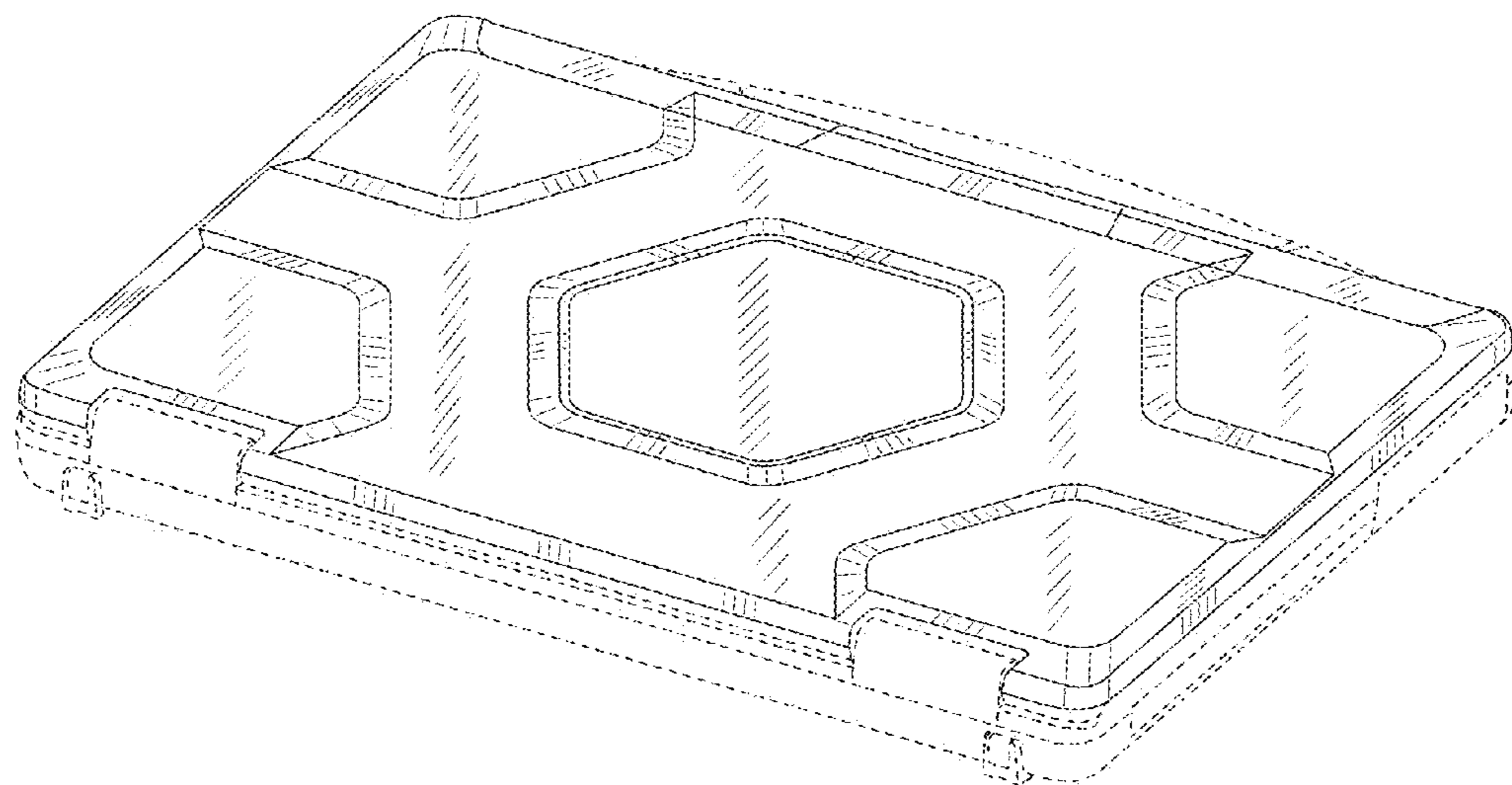


FIG. 3

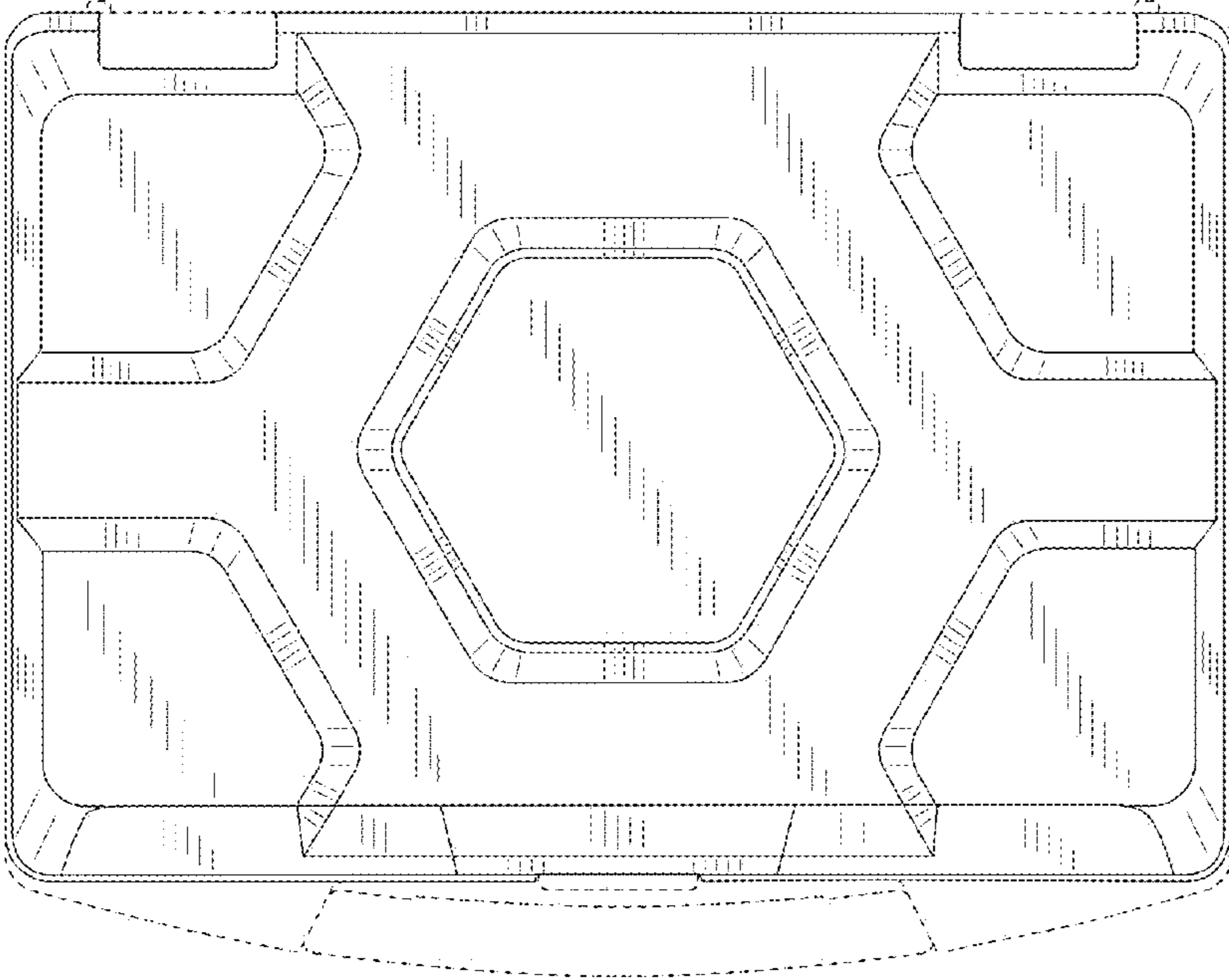


FIG. 4

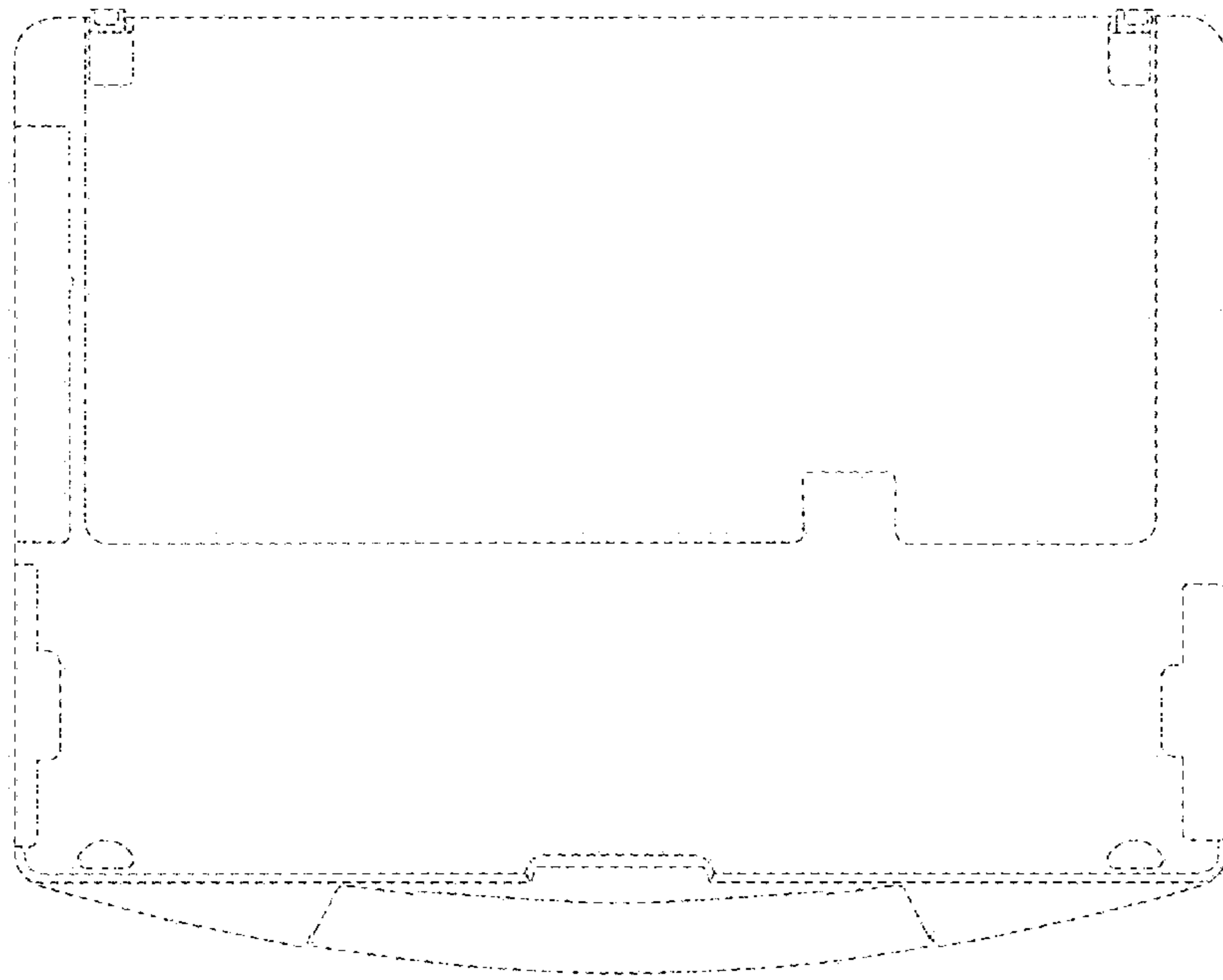


FIG. 5

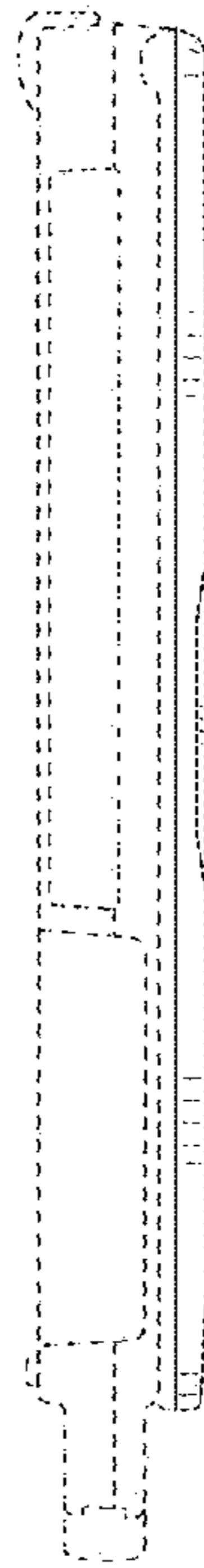


FIG. 6

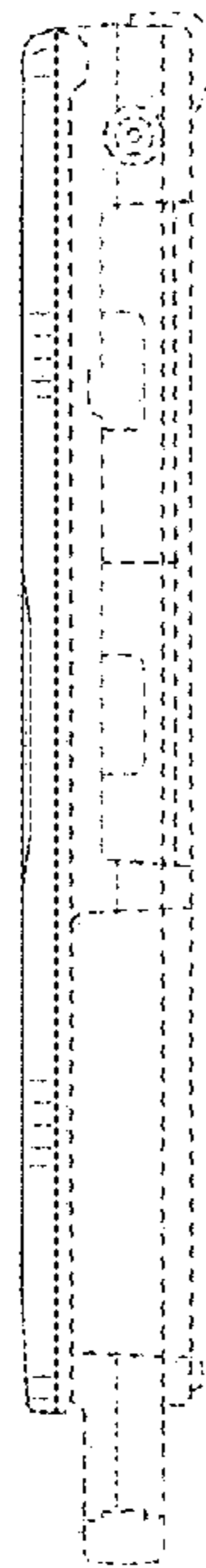


FIG. 7

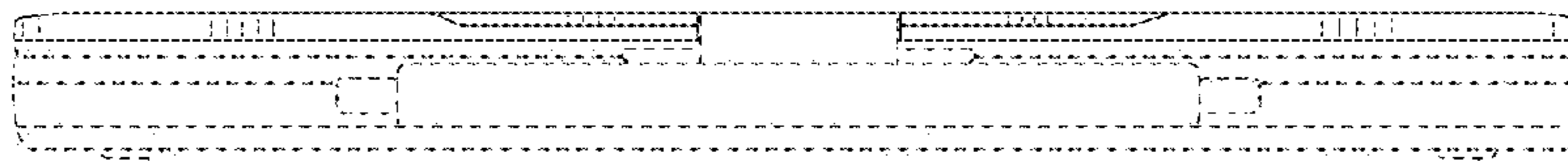


FIG. 8

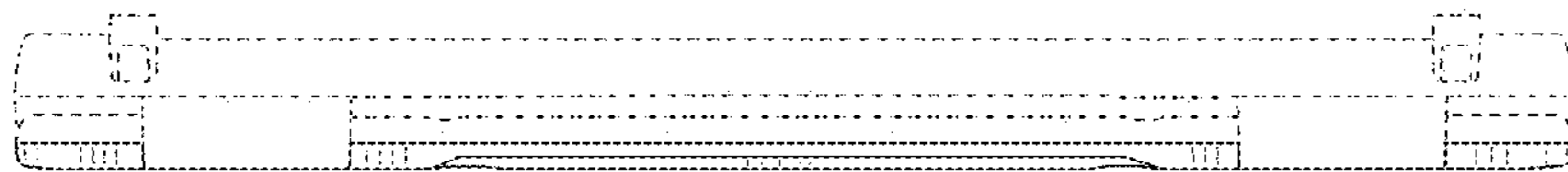


FIG. 9

