



US00D753646S

(12) **United States Design Patent**
Kimura et al.

(10) **Patent No.:** **US D753,646 S**
(45) **Date of Patent:** **** Apr. 12, 2016**

(54) **COMPUTER**

(71) Applicant: **Sony Corporation**, Tokyo (JP)
(72) Inventors: **Yasunori Kimura**, Nagano (JP);
Shuichi Chihara, Nagano (JP); **Yasushi Tsuji**, Nagano (JP); **Junichiro Misawa**, Nagano (JP); **Shingo Harada**, Nagano (JP)

(73) Assignee: **Sony Corporation**, Tokyo (JP)

(**) Term: **14 Years**

(21) Appl. No.: **29/476,518**

(22) Filed: **Dec. 13, 2013**

(30) **Foreign Application Priority Data**

Sep. 20, 2013 (JP) D2013-021771
Sep. 20, 2013 (JP) D2013-021772
Sep. 20, 2013 (JP) D2013-021773
Sep. 20, 2013 (JP) D2013-021774
Sep. 20, 2013 (JP) D2013-021775

(51) **LOC (10) Cl.** **14-02**

(52) **U.S. Cl.**
USPC **D14/315**

(58) **Field of Classification Search**
USPC D14/315-327; D18/1, 2, 7, 11;
235/145 A, 145 R; 341/22, 23; 345/104,
345/156, 168, 169, 173; 361/679.08,
361/679.09, 679.11, 679.26, 679.27
CPC G06F 1/16; G06F 1/1616; H01R 35/02;
H03M 11/00; G09B 13/04; H03K 17/94
See application file for complete search history.

(56) **References Cited**

U.S. PATENT DOCUMENTS

8,284,545 B2 * 10/2012 Peng et al. 361/679.01
D682,828 S * 5/2013 Kim et al. D14/327
2006/0023408 A1 * 2/2006 Schlesener et al. 361/683

Primary Examiner — Freda S Nunn

(74) *Attorney, Agent, or Firm* — Michael Best & Friedrich LLP

(57) **CLAIM**

The ornamental design for a computer, as shown and described.

DESCRIPTION

FIG. 1 is a perspective view of a computer showing our new design;

FIG. 2 is a top plan view thereof;

FIG. 3 is a front elevational view thereof;

FIG. 4 is a right side elevational view thereof;

FIG. 5 is an enlarged partial perspective view thereof along the lines 5-5 and 5-5 of FIG. 1;

FIG. 6 is an enlarged partial top plan view thereof along the lines 6-6 and 6-6 of FIG. 2;

FIG. 7 is an enlarged cross-sectional view thereof cut along the lines 7-7 of FIGS. 4 and 6;

FIG. 8 is an enlarged cross-sectional view thereof cut along the lines 8-8 of FIGS. 3 and 6;

FIG. 9 is a perspective view thereof wherein the key is pressed;

FIG. 10 is a top plan view thereof;

FIG. 11 is a front elevational view thereof;

FIG. 12 is a right side elevational view thereof;

FIG. 13 is an enlarged partial perspective view thereof along the lines 13-13 and 13-13 of FIG. 9;

FIG. 14 is an enlarged partial top plan view thereof along the lines 14-14 of FIG. 10;

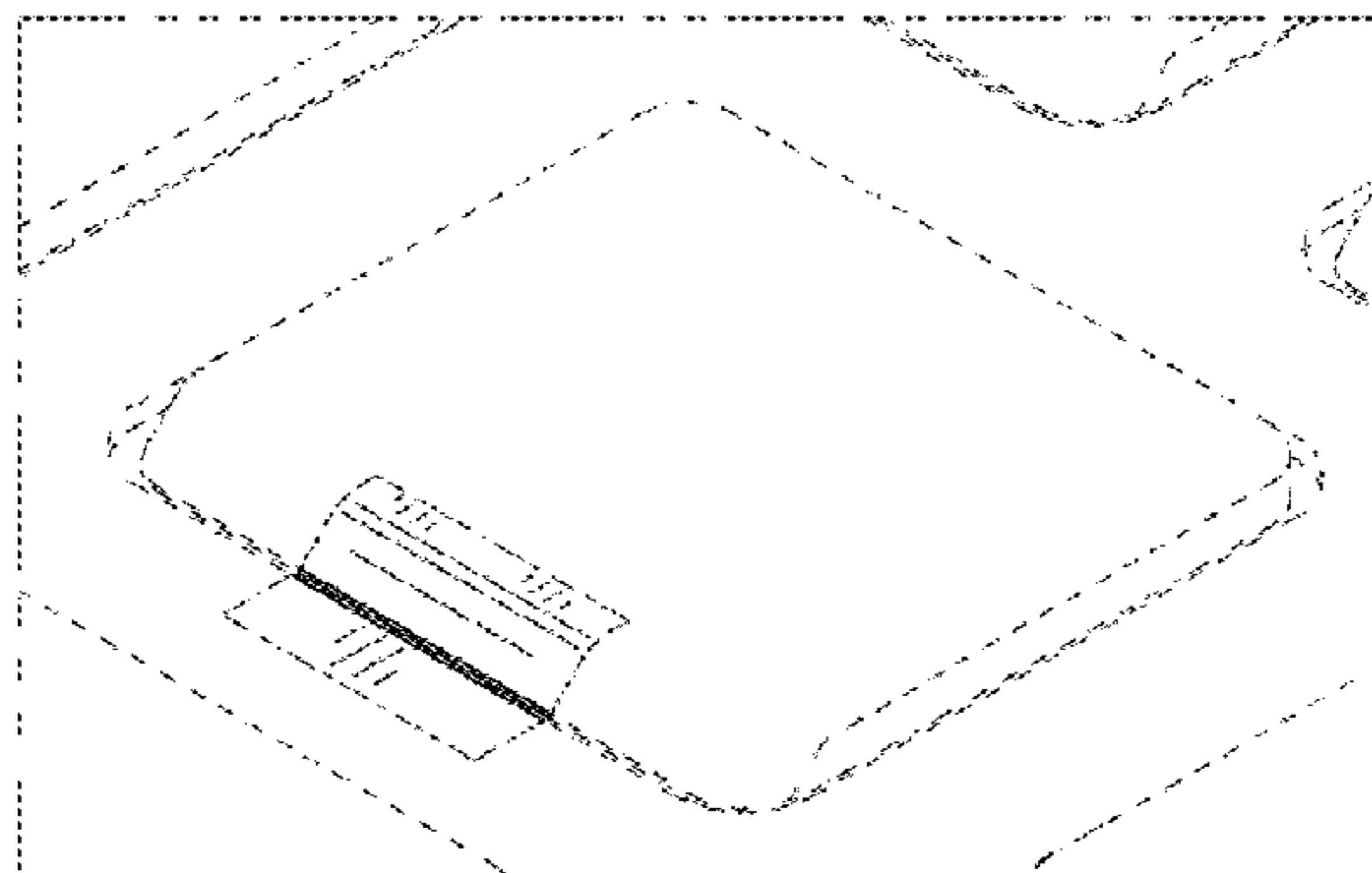
FIG. 15 is an enlarged cross-sectional view thereof cut along the lines 15-15 of FIGS. 12 and 14;

FIG. 16 is another enlarged cross-sectional view thereof cut along the lines 16-16 of FIG. 15; and,

FIG. 17 is an enlarged cross-sectional view thereof cut along the lines 17-17 of FIGS. 11 and 14.

The evenly-spaced broken lines illustrate unclaimed portions of the computer and form no part of the claimed design. The single dot-dash broken lines define boundaries of, and are not included in the claimed design. The double dot-dash broken lines show the boundaries of the enlarged figures that match the portions of the computer shown with arrows and corresponding figure numbers. The double-dot-dash broken lines do not form the claimed design.

1 Claim, 10 Drawing Sheets



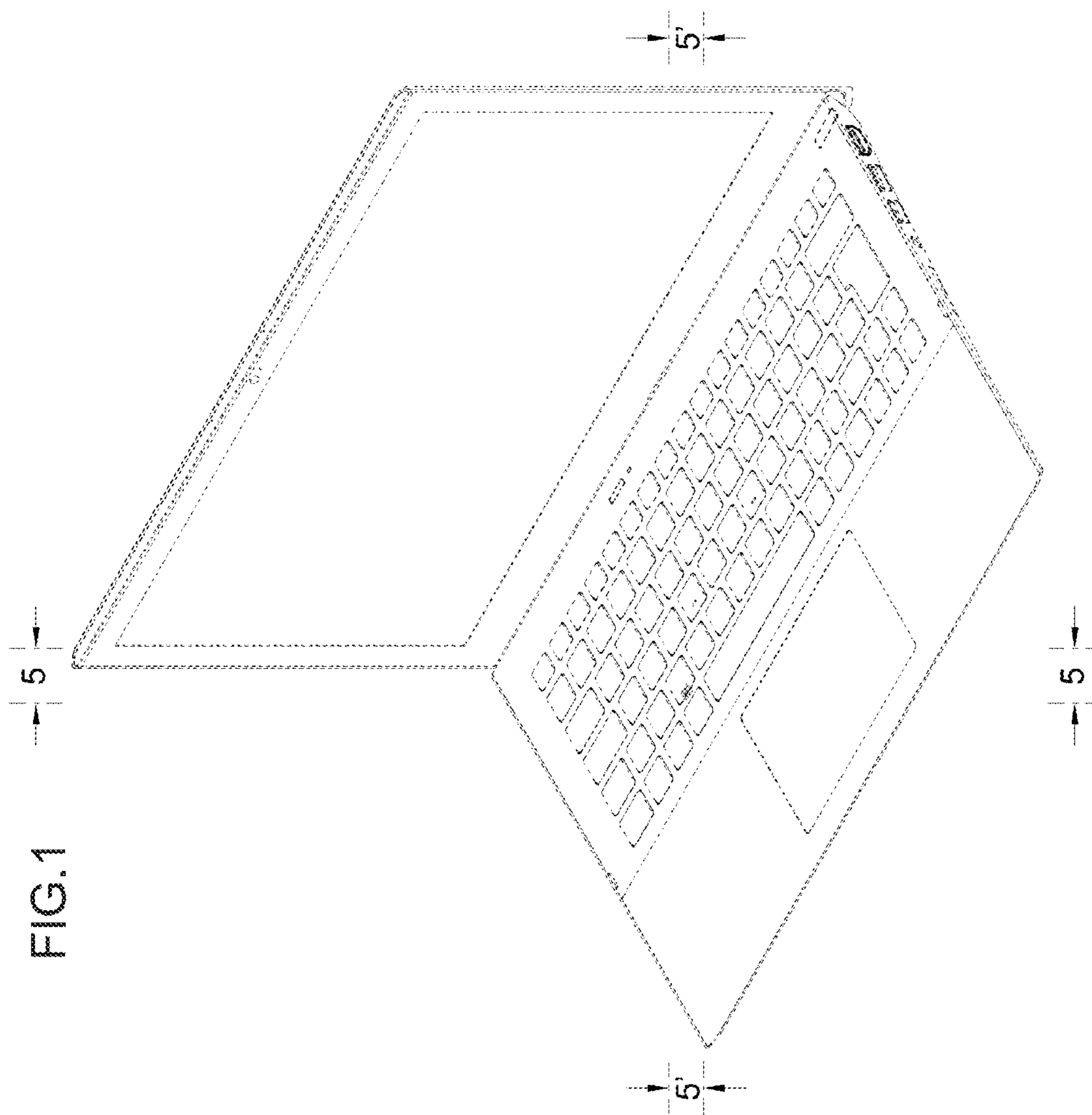


FIG.2

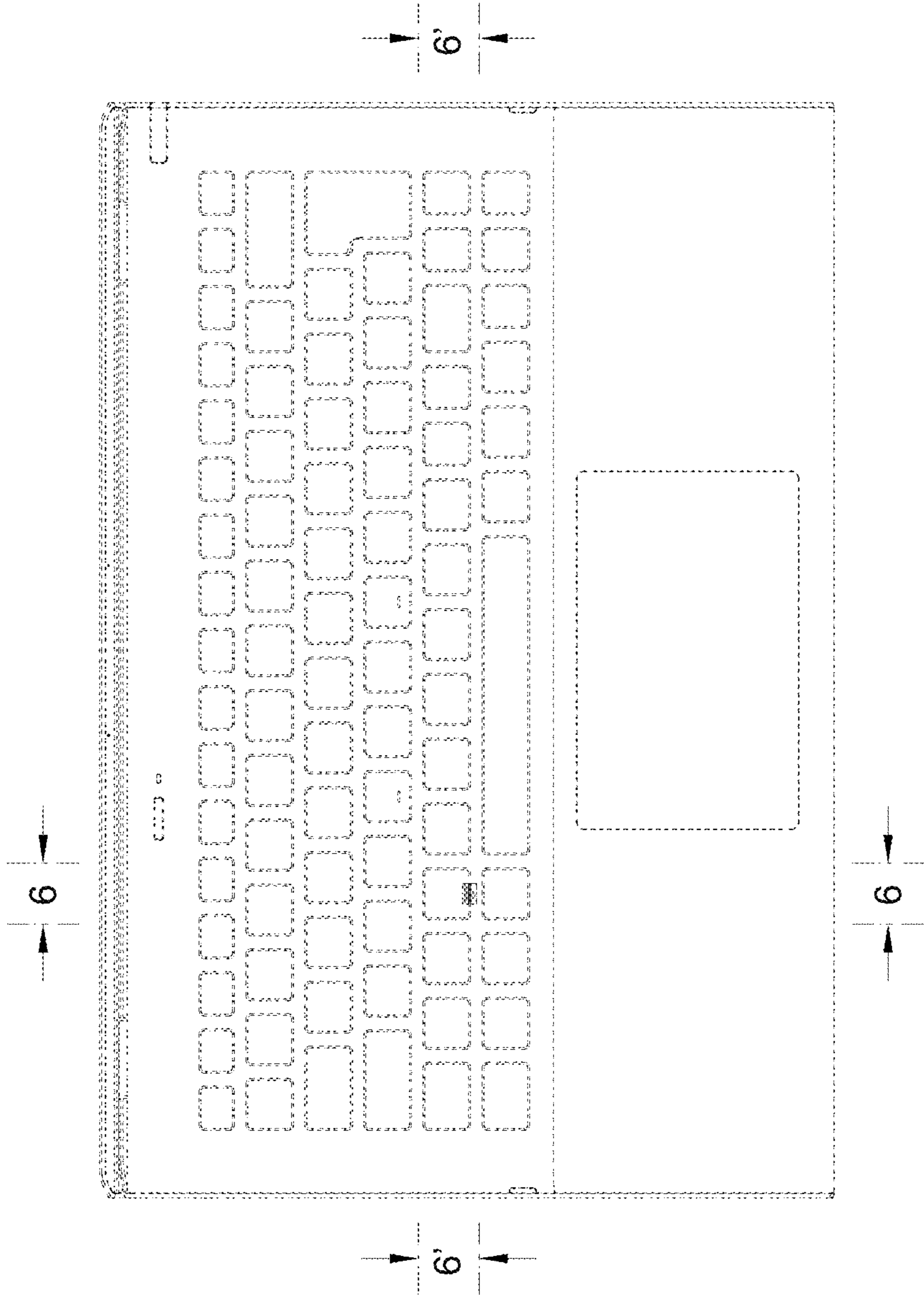


FIG.3

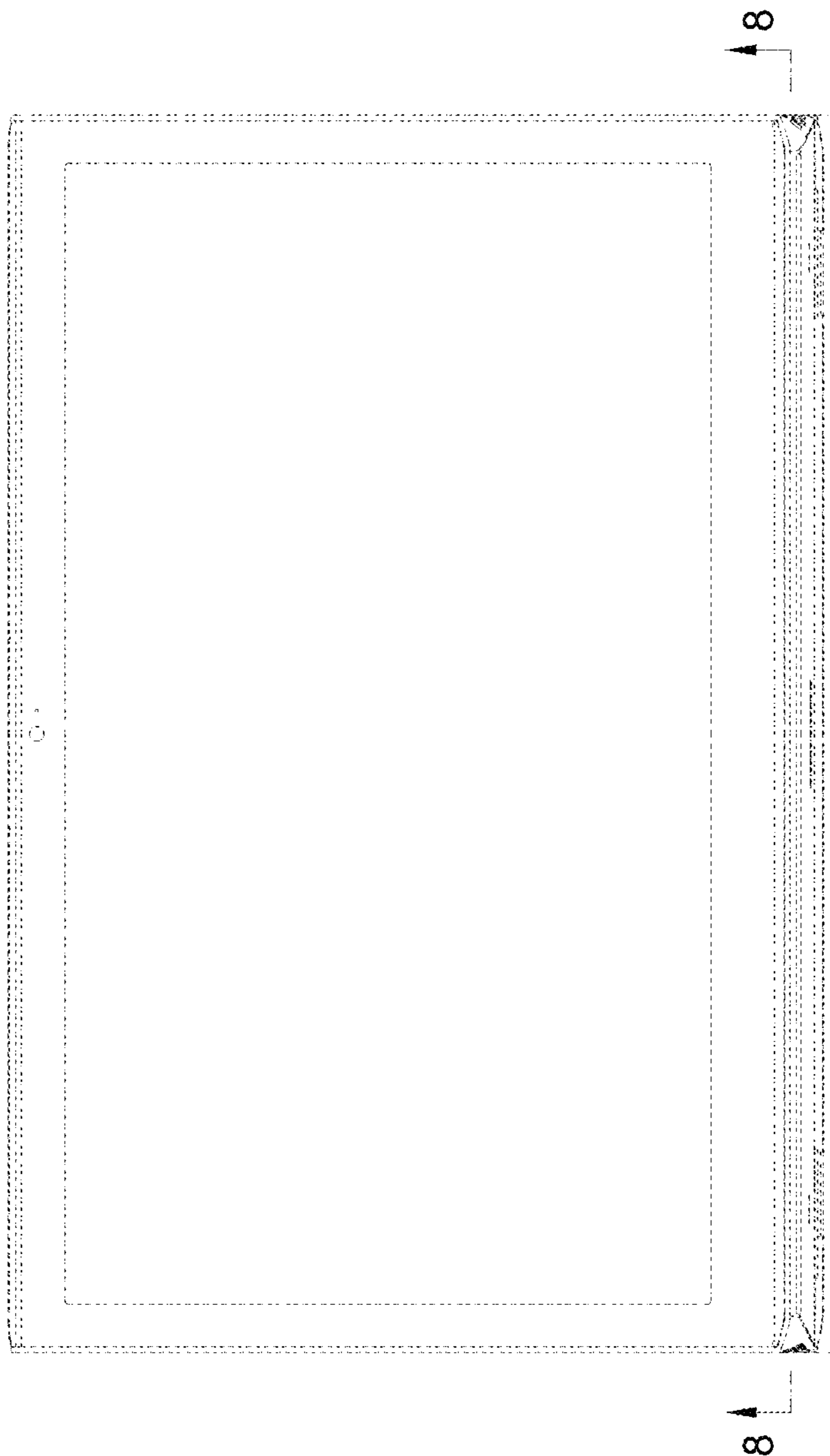


FIG. 4

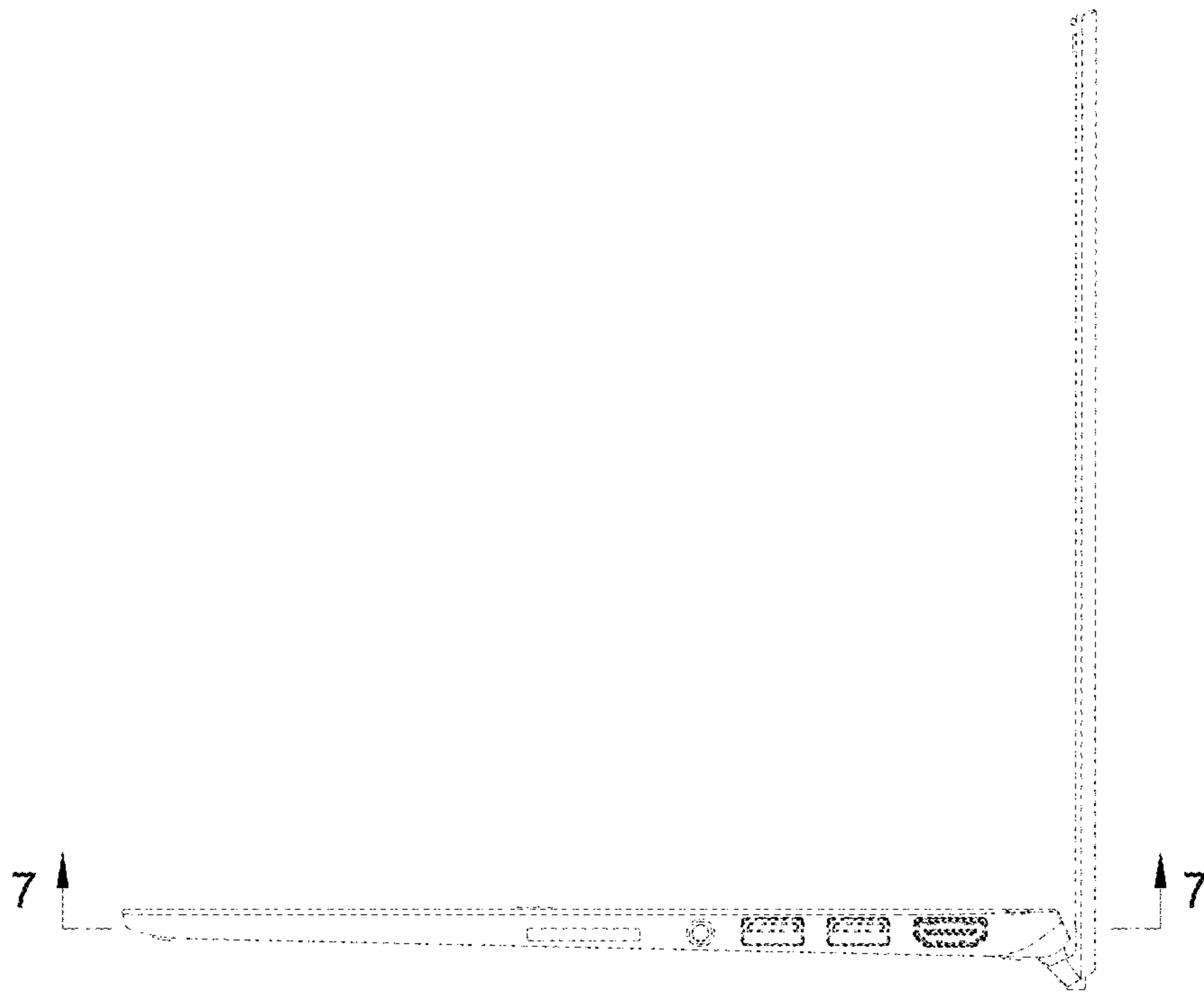


FIG.5

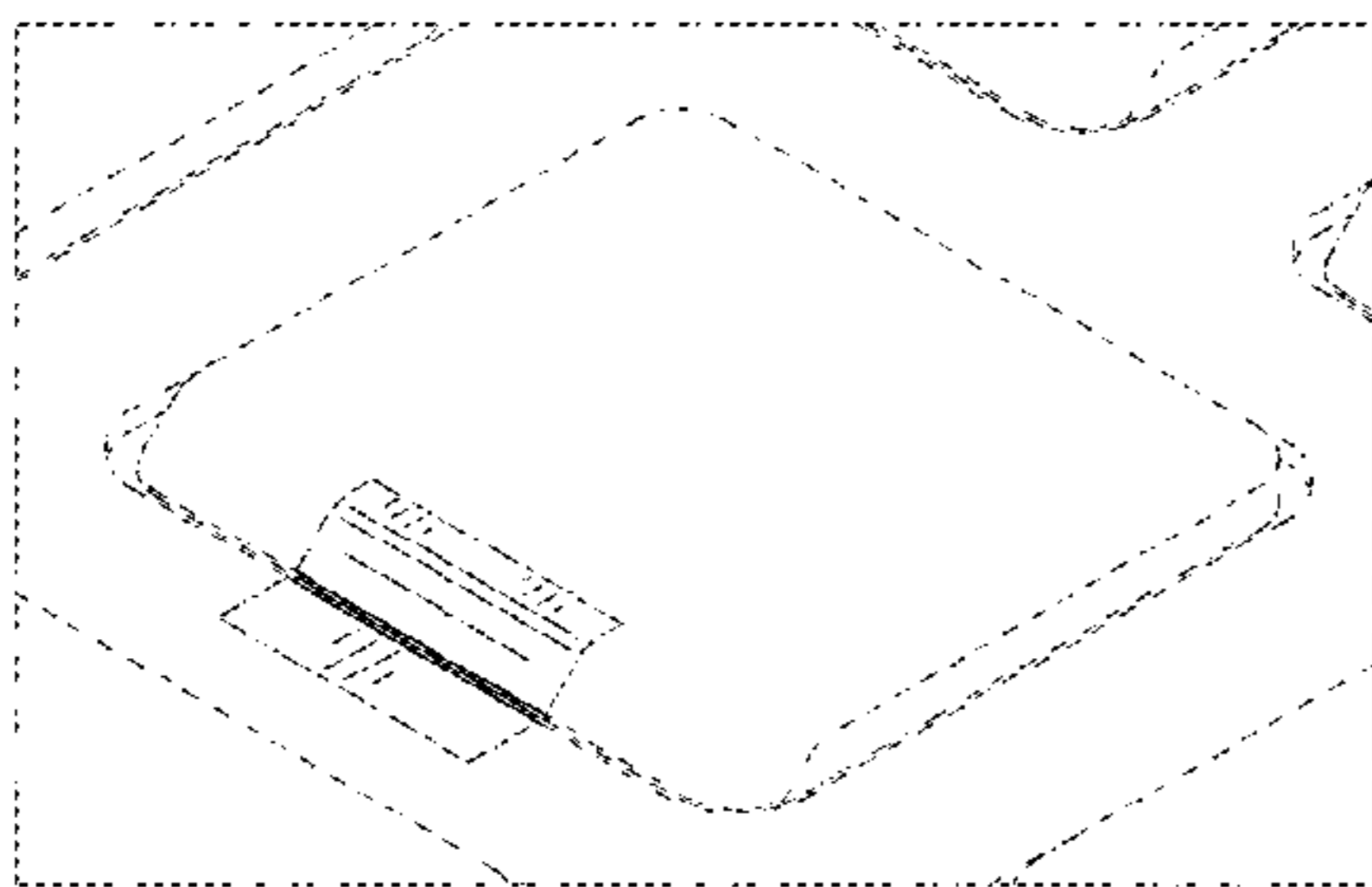


FIG.6

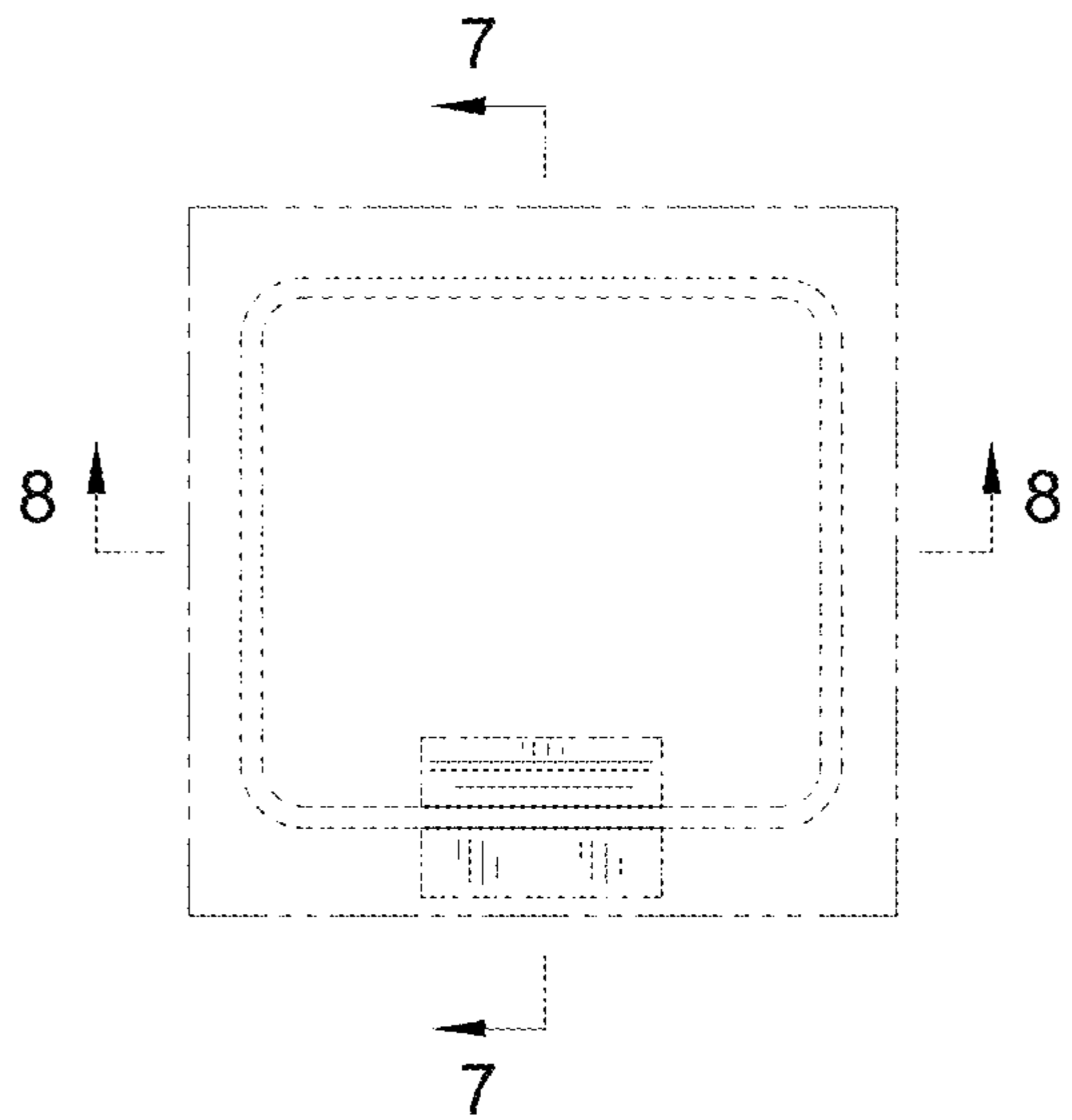


FIG.7

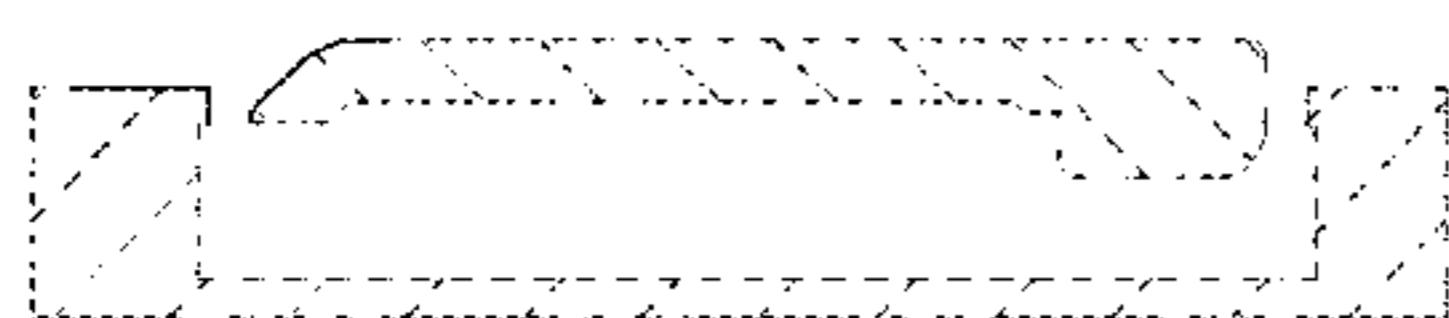
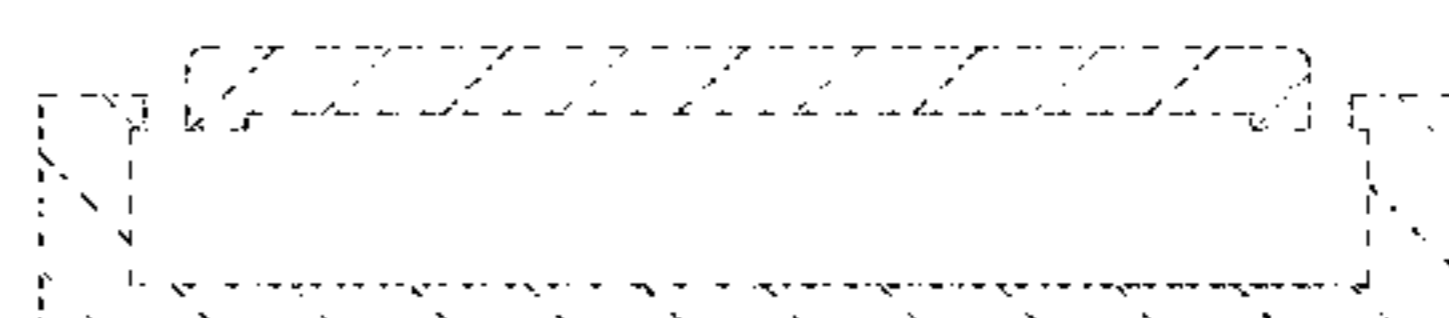


FIG.8



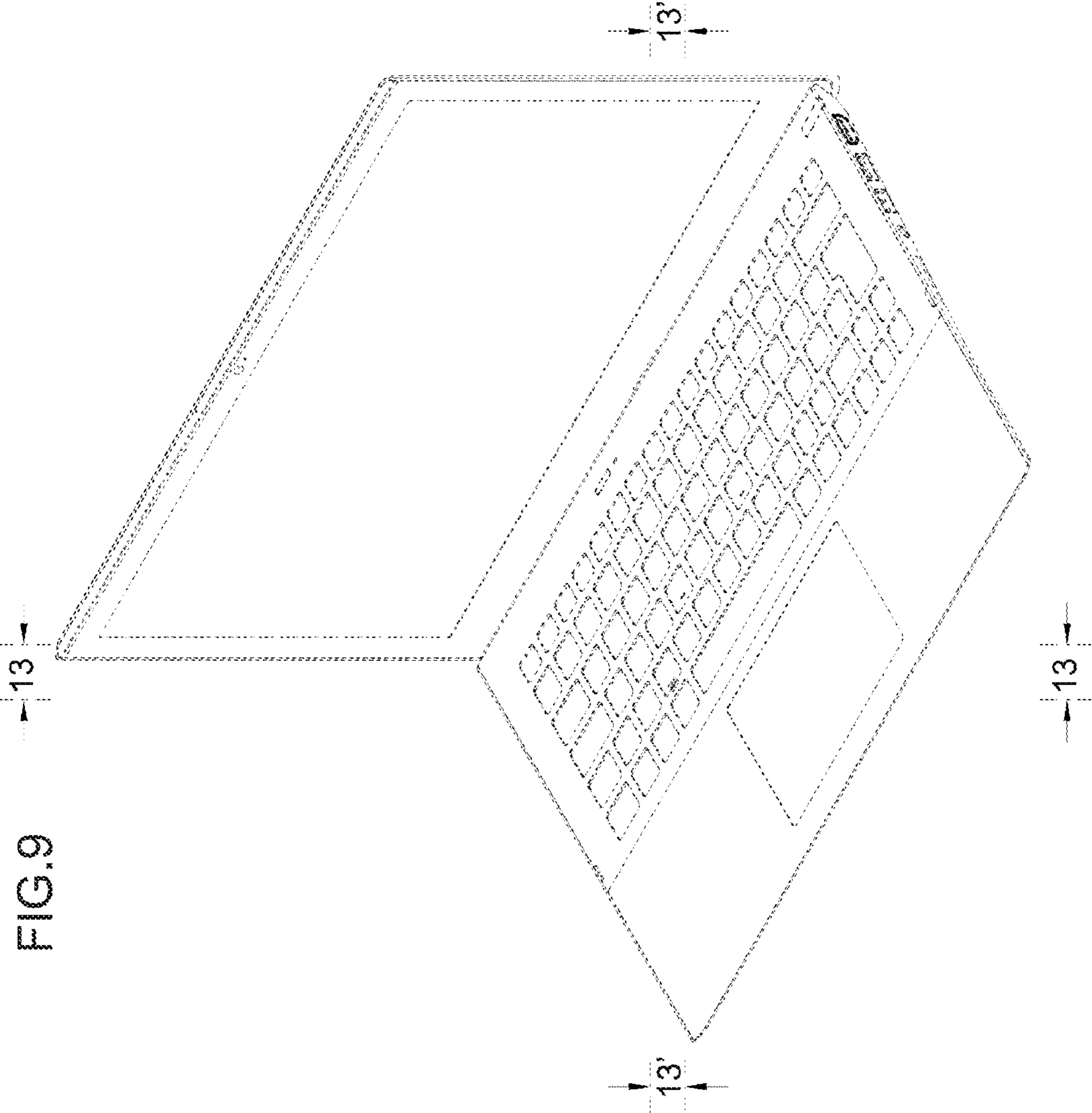


FIG.10

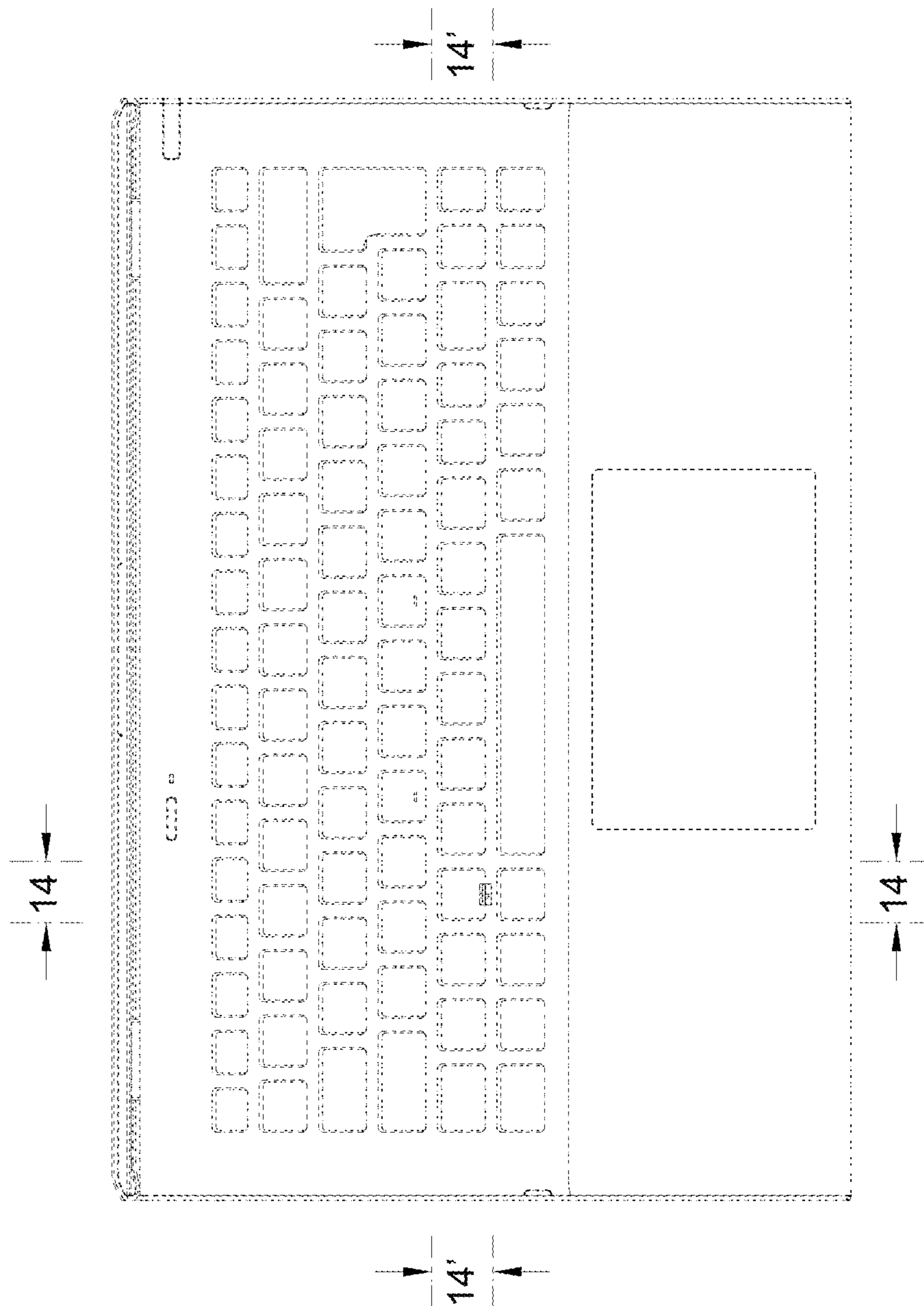


FIG.11

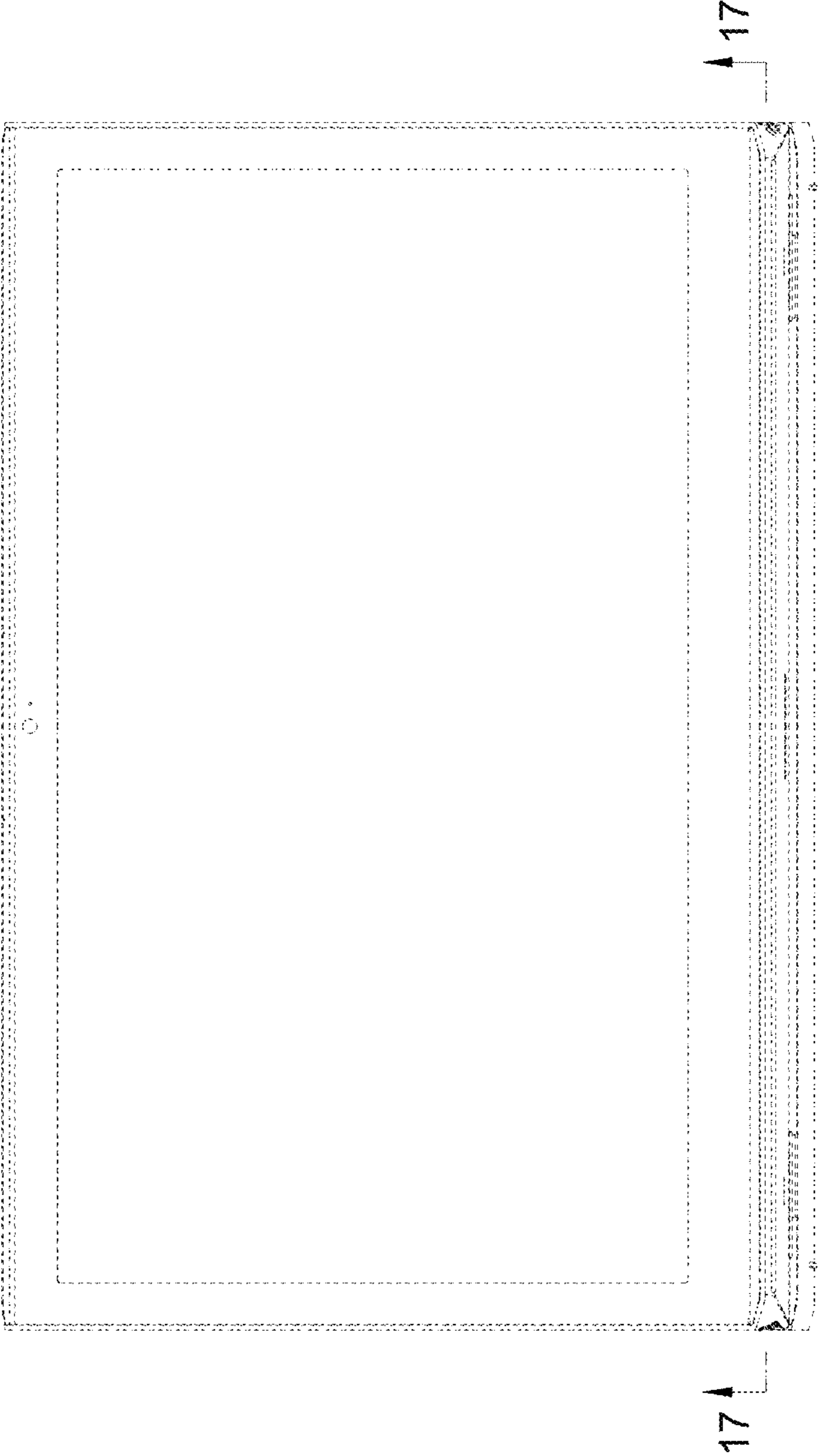


FIG.12

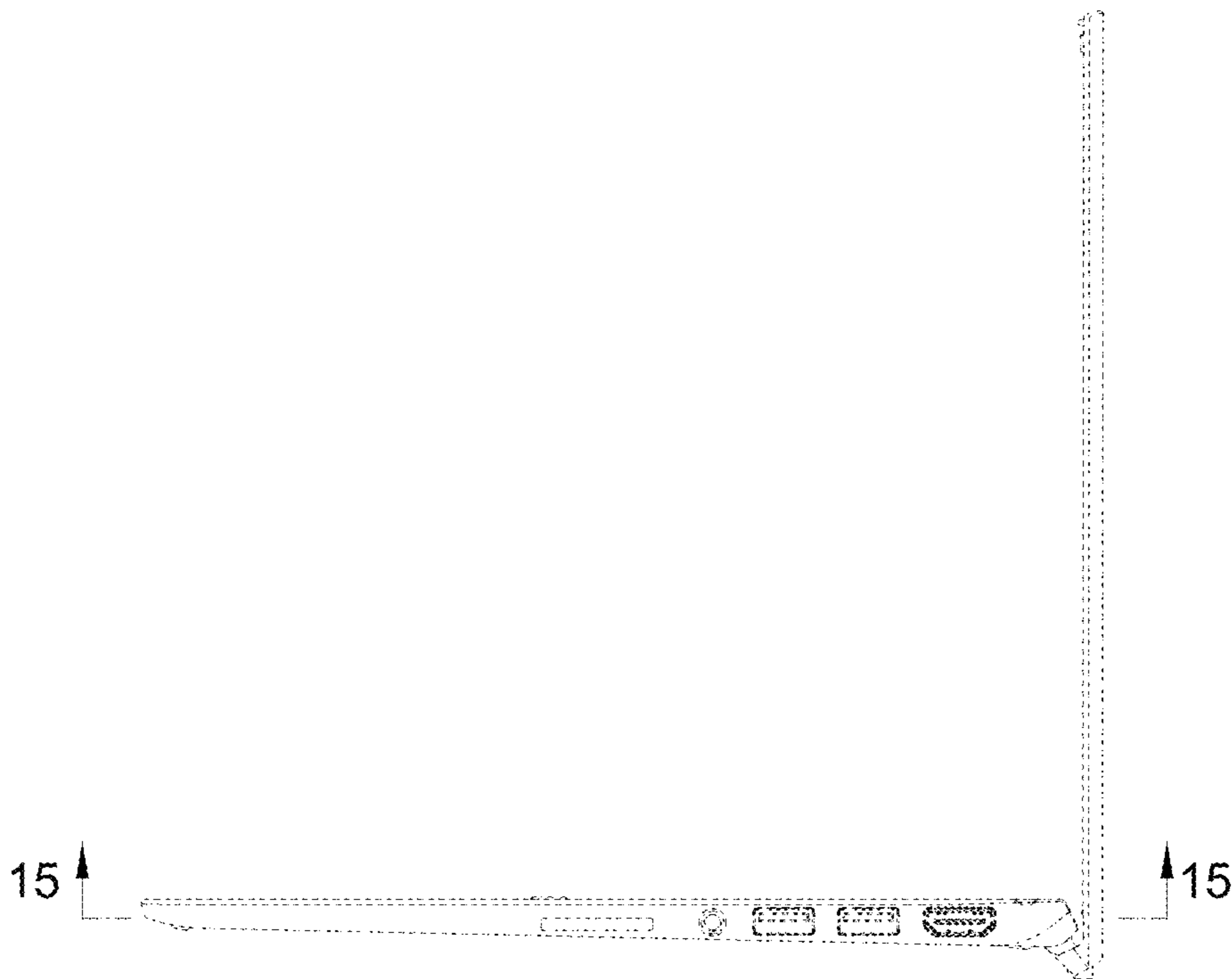


FIG.13

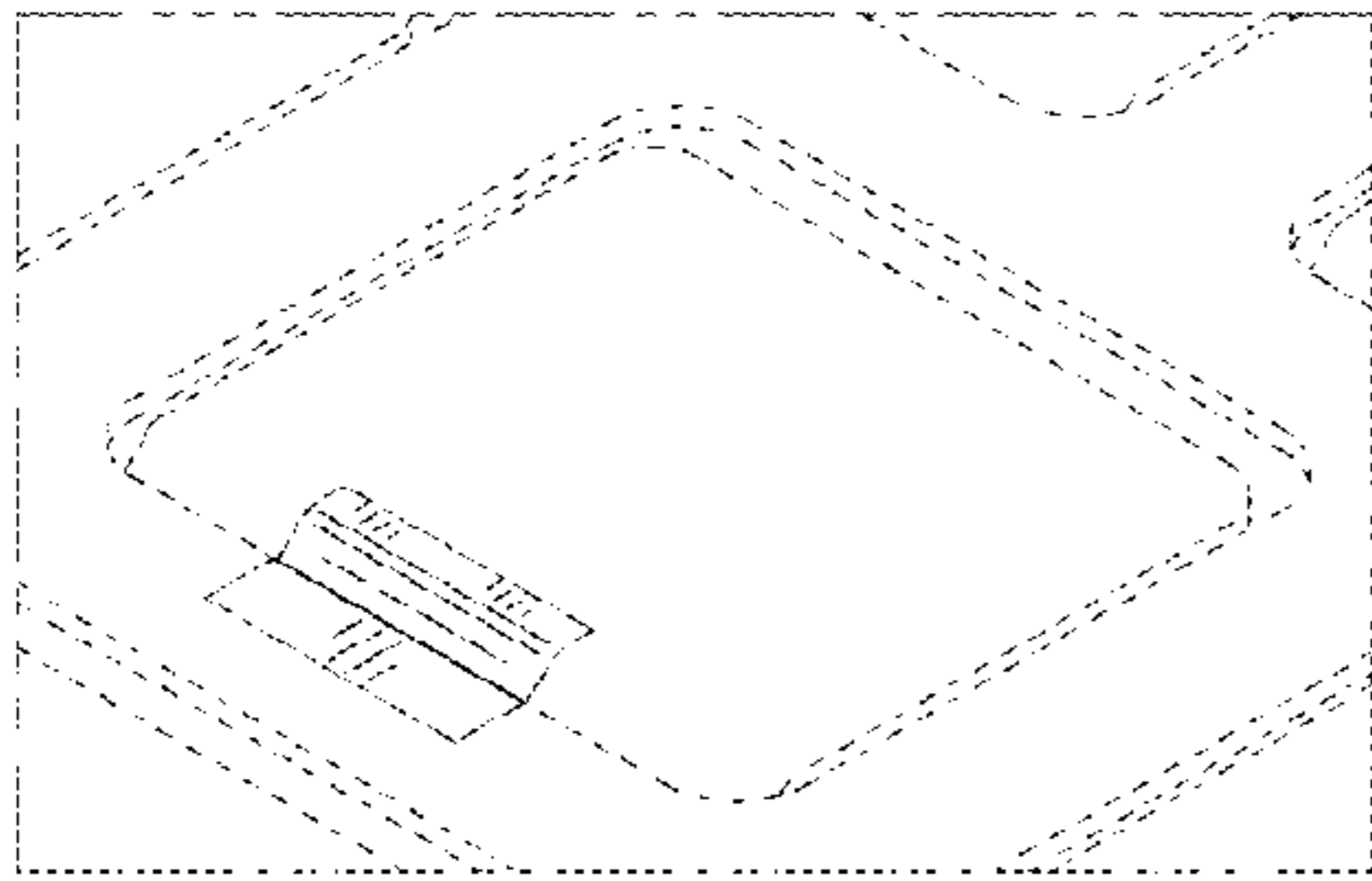


FIG.14

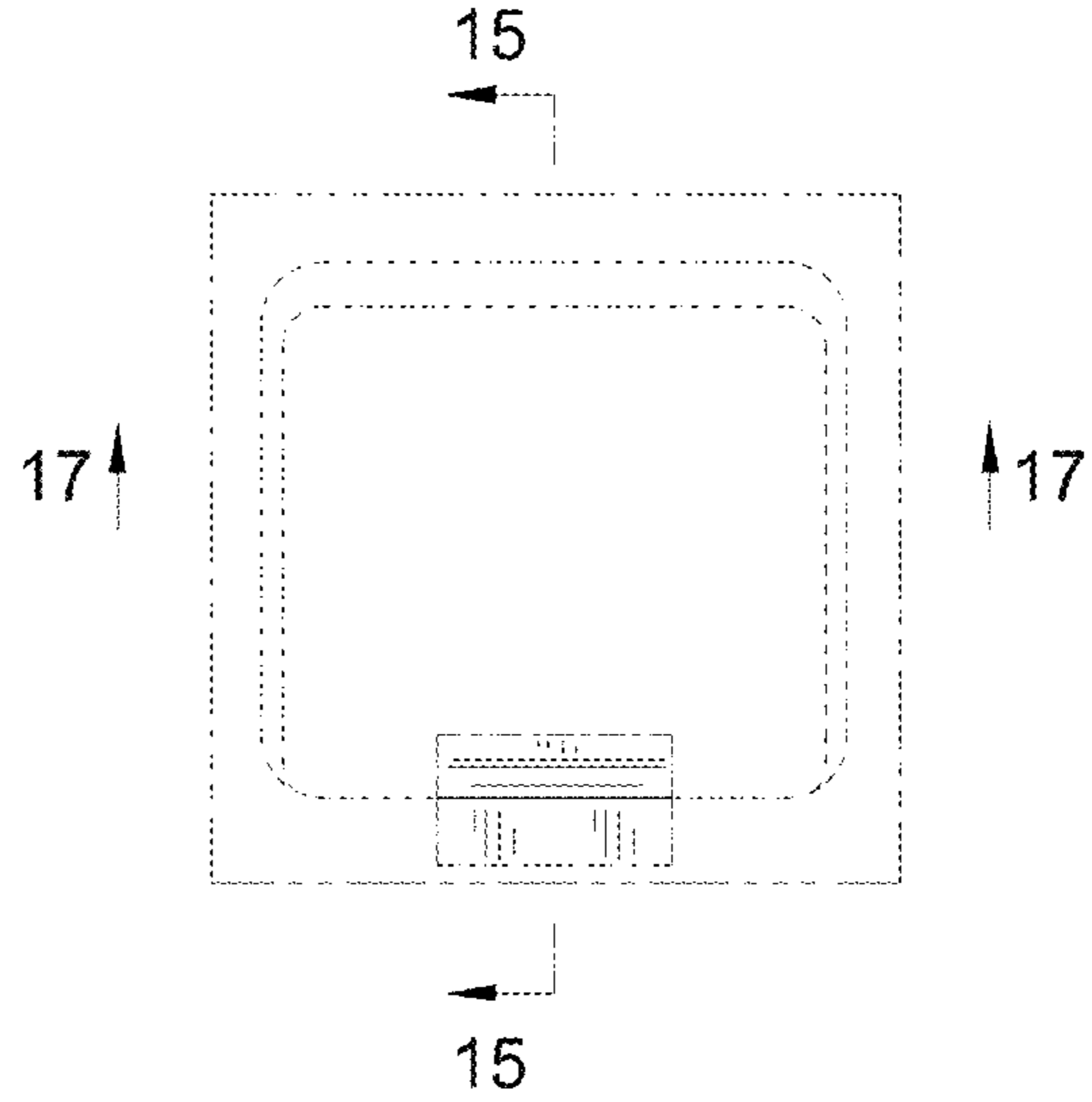


FIG.15

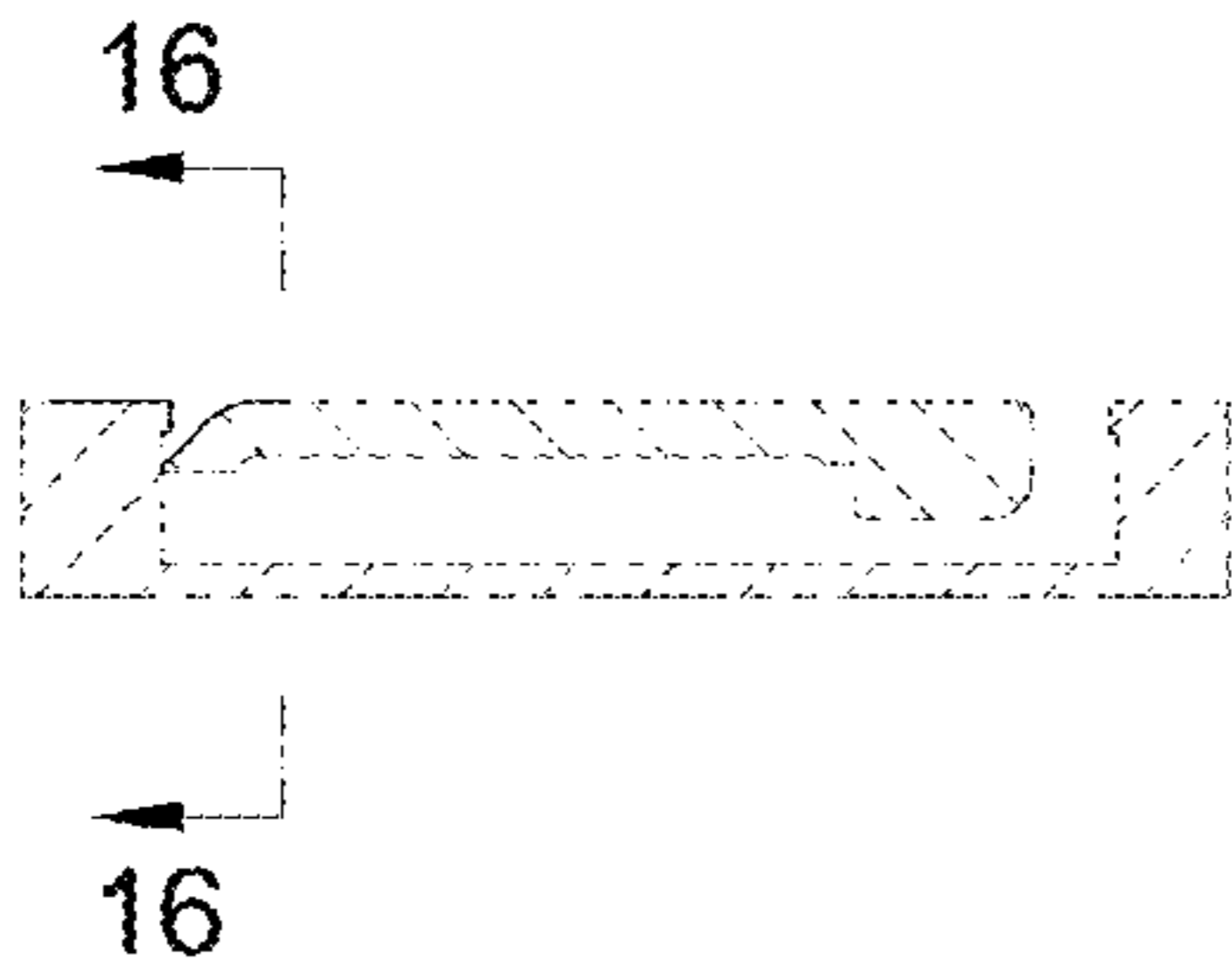


FIG.16

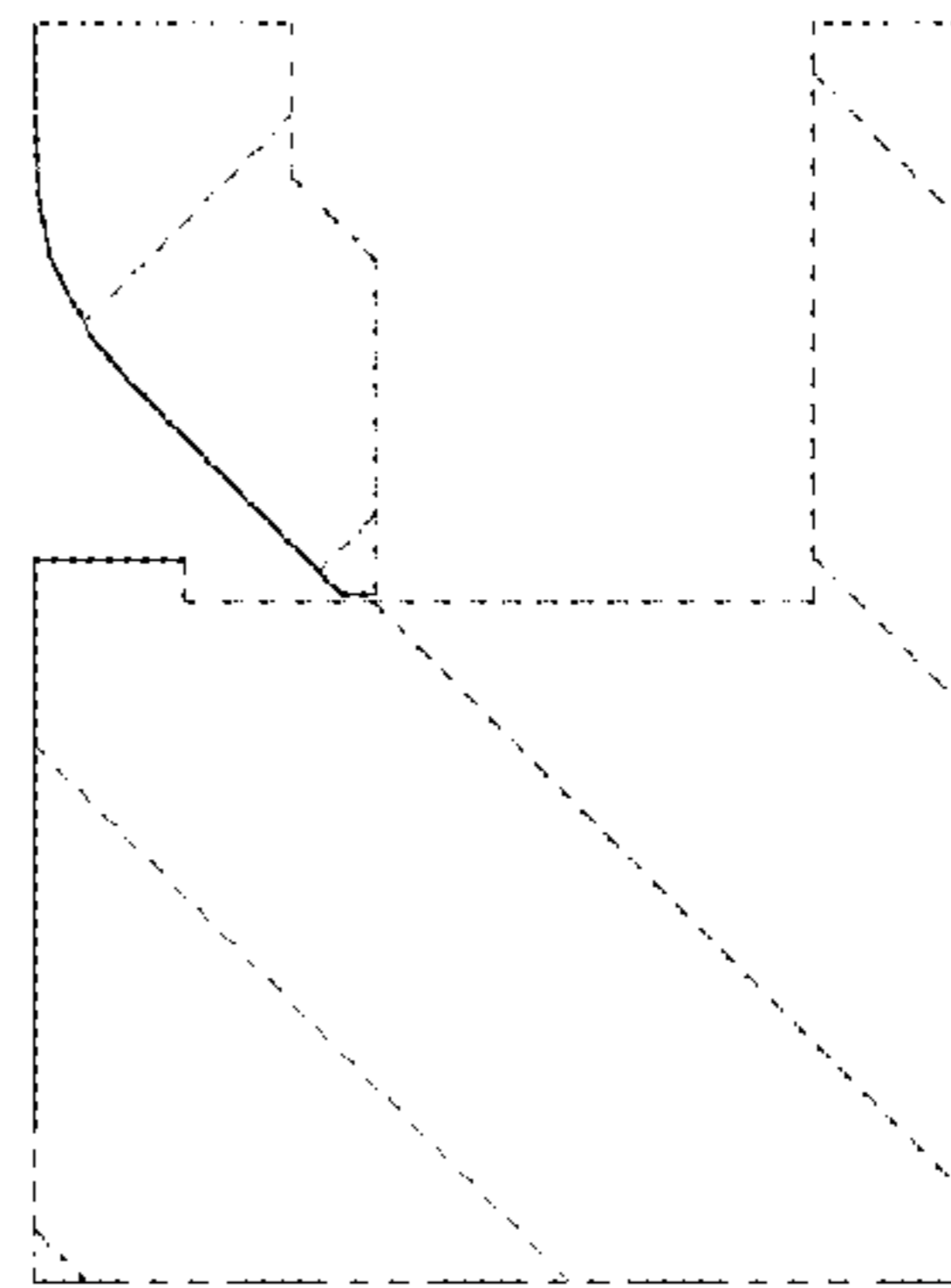


FIG.17

