



US00D753645S

(12) **United States Design Patent**  
**Tian et al.**

(10) **Patent No.:** **US D753,645 S**  
(45) **Date of Patent:** **\*\* Apr. 12, 2016**

(54) **LAPTOP COMPUTER**

(71) Applicant: **LENOVO (BEIJING) CO., LTD.**,  
Beijing (CN)

(72) Inventors: **Chunyu Tian**, Beijing (CN); **Junjie Gan**, Beijing (CN)

(73) Assignee: **Lenovo (Beijing) Co., Ltd.**, Beijing (CN)

(\*\*) Term: **14 Years**

(21) Appl. No.: **29/459,341**

(22) Filed: **Jun. 28, 2013**

(30) **Foreign Application Priority Data**

Dec. 28, 2012 (CN) ..... 2012 3 0658989  
Feb. 1, 2013 (CN) ..... 2013 3 0033017

(51) **LOC (10) Cl.** ..... **14-02**

(52) **U.S. Cl.**  
USPC ..... **D14/315**

(58) **Field of Classification Search**  
USPC ..... D14/315-327, 455; D18/1, 2, 7, 11;  
235/145 A, 145 R; 341/22, 23; 345/104,  
345/156, 168, 169, 173; 361/679.08,  
361/679.09, 679.11, 679.26, 679.27  
See application file for complete search history.

(56) **References Cited**

**U.S. PATENT DOCUMENTS**

D416,238 S \* 11/1999 Irie et al. .... D14/318  
D463,797 S \* 10/2002 Andre et al. .... D14/327

D564,511 S \* 3/2008 Akhtar ..... D14/318  
7,542,284 B1 \* 6/2009 Wilson, Sr. .... 361/679.45  
D601,138 S \* 9/2009 Solomon et al. .... D14/315  
D684,152 S \* 6/2013 Ilchan et al. .... D14/315  
D688,238 S \* 8/2013 Hsu et al. .... D14/315  
2005/0041378 A1 \* 2/2005 Hamada et al. .... 361/680

**FOREIGN PATENT DOCUMENTS**

JP D1438161 S 4/2012

\* cited by examiner

*Primary Examiner* — Freda S Nunn

(74) *Attorney, Agent, or Firm* — Oppedahl Patent Law Firm LLC

(57) **CLAIM**

The ornamental design for a laptop computer, as shown and described.

**DESCRIPTION**

FIG. 1 is a front elevation view of a laptop computer showing our new design. The features shown in broken lines in the drawings depict environmental subject matter only and form no part of the claimed design.

FIG. 2 is a back view thereof;

FIG. 3 is a bottom plan view thereof;

FIG. 4 is a top view thereof;

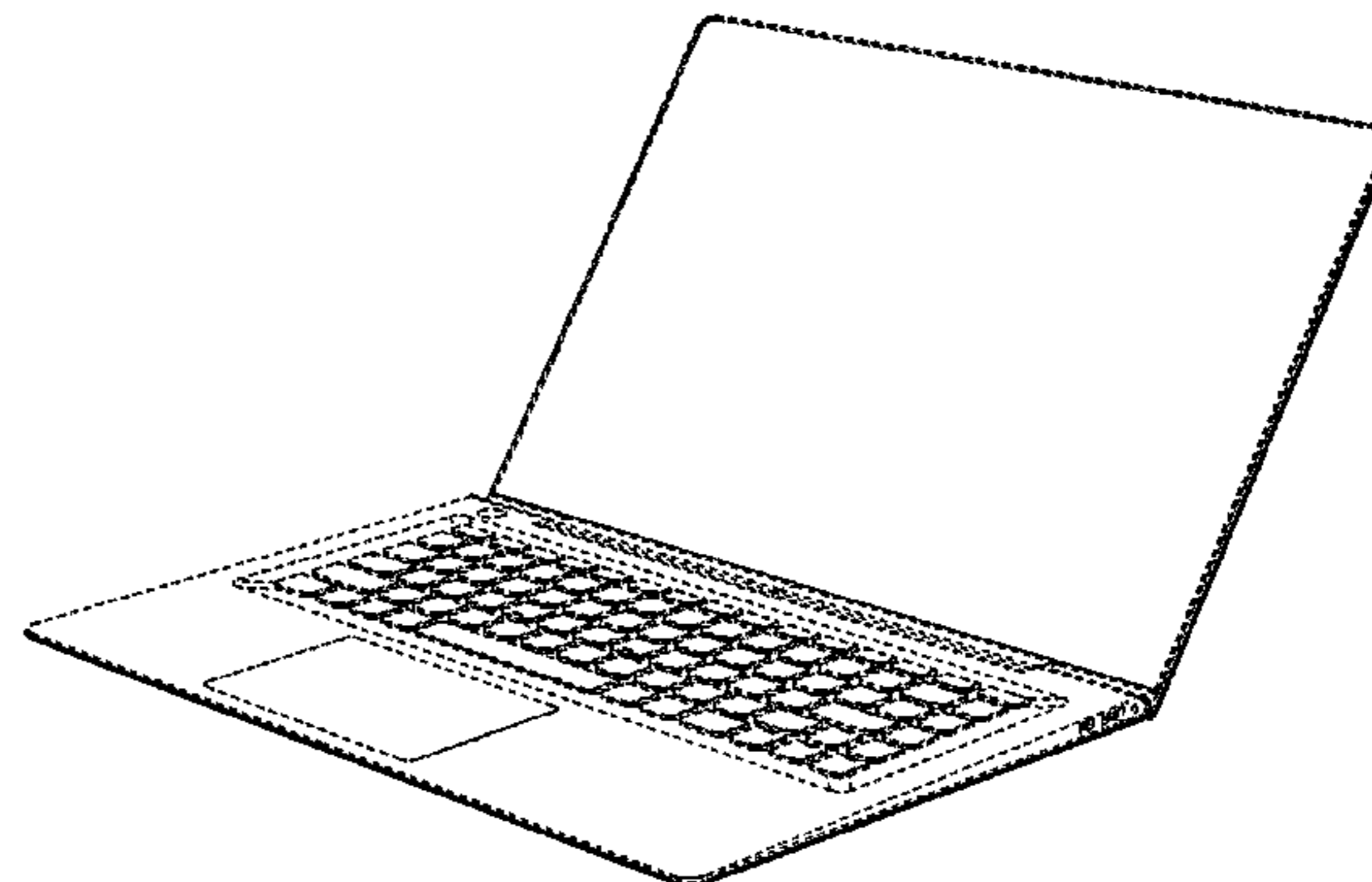
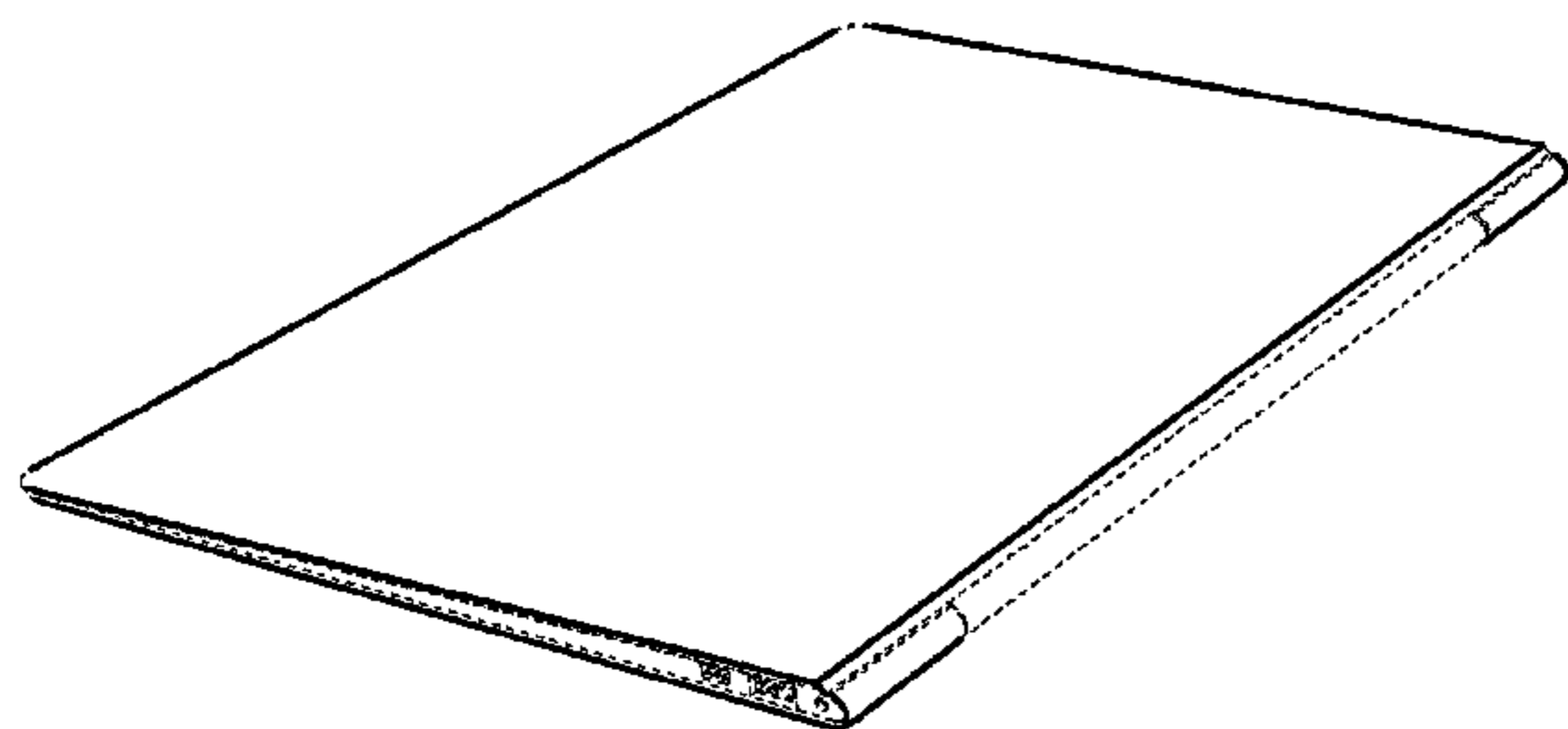
FIG. 5 is a right side view thereof;

FIG. 6 is a left side view thereof;

FIG. 7 is a back perspective view thereof; and,

FIG. 8 is a front perspective view thereof with the cover in an open position.

**1 Claim, 5 Drawing Sheets**



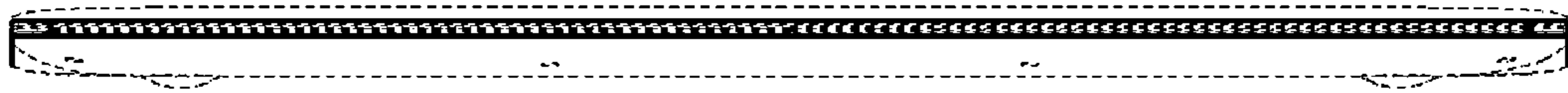


Fig.1

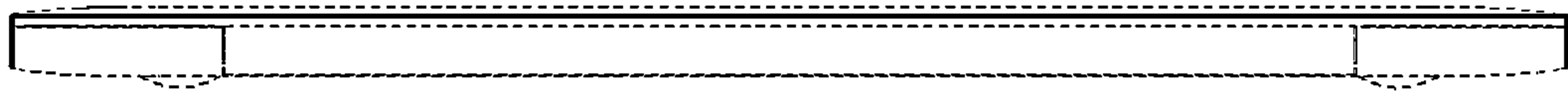


Fig.2

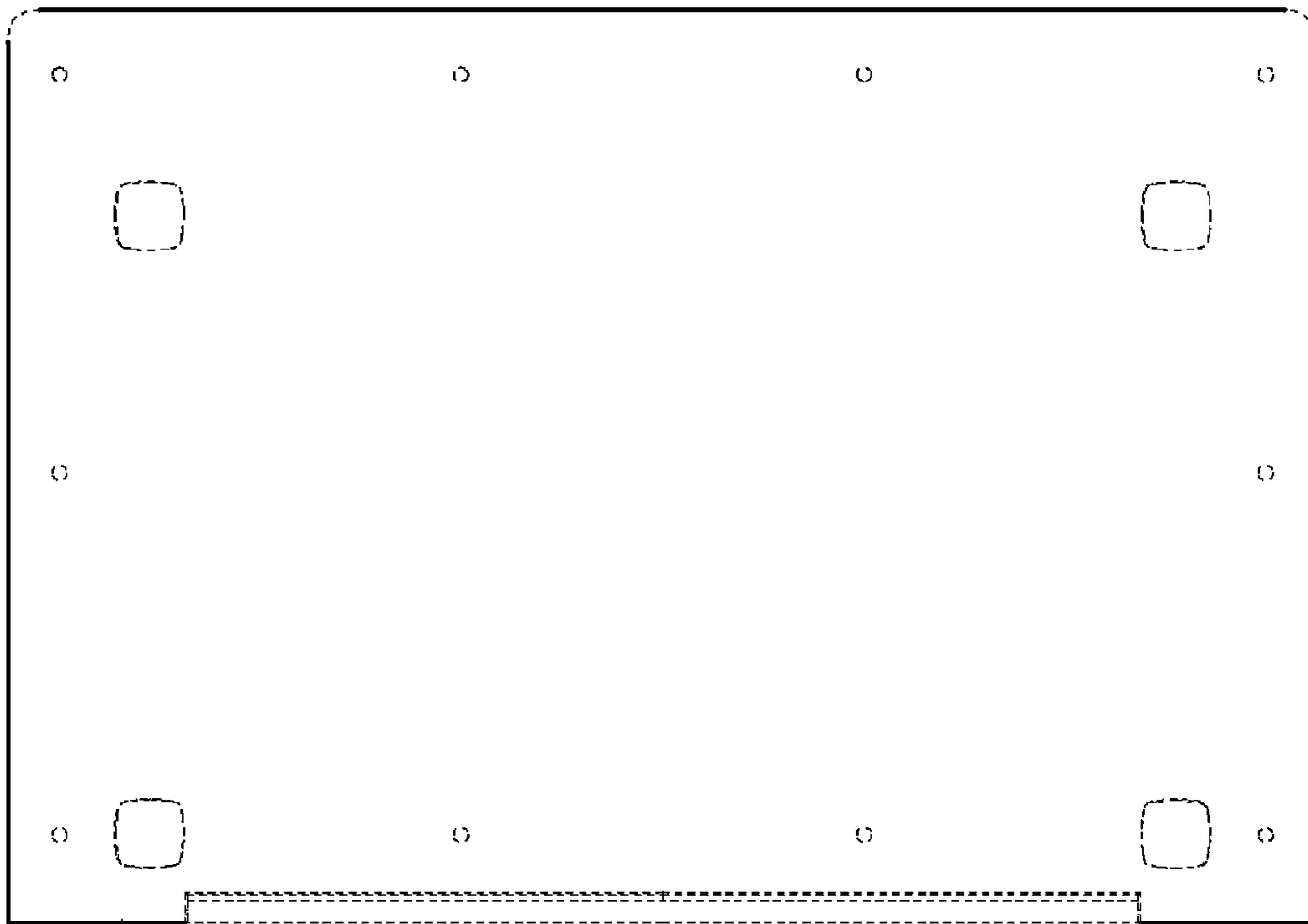


Fig.3



Fig.4

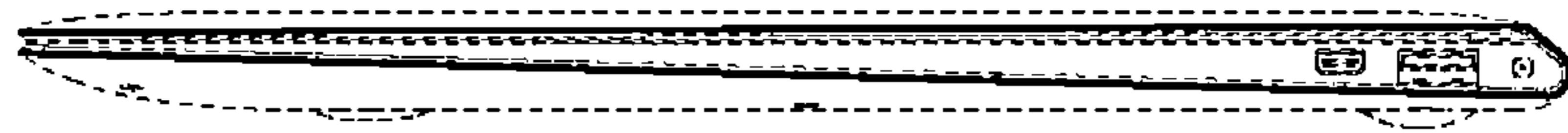


Fig.5

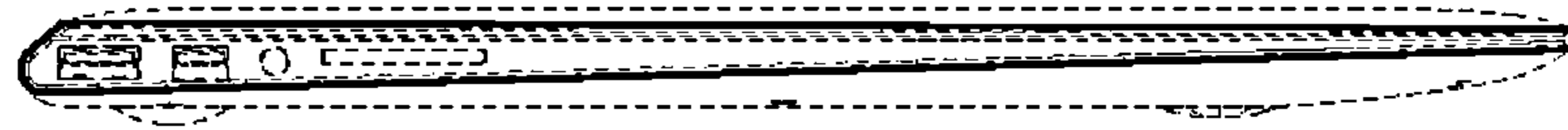


Fig.6

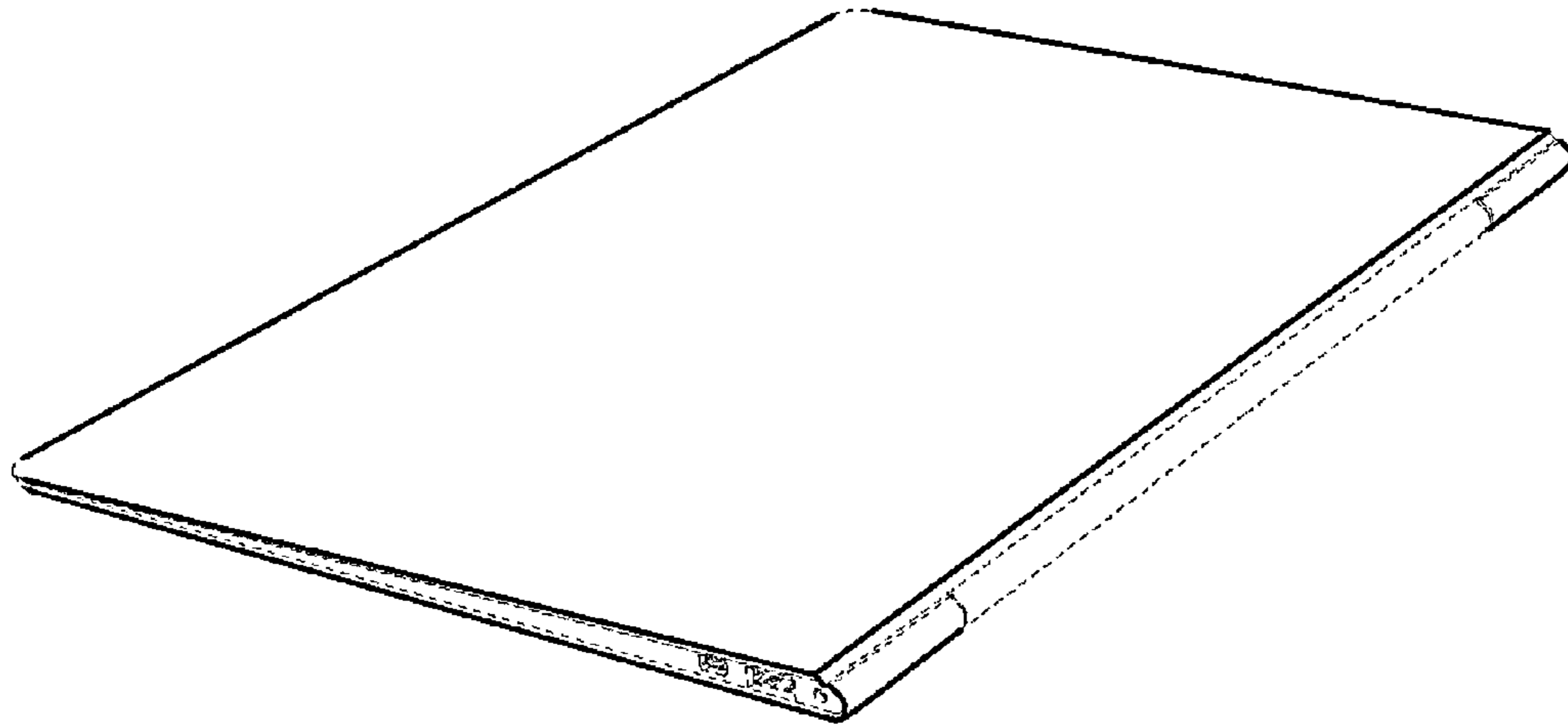


Fig.7

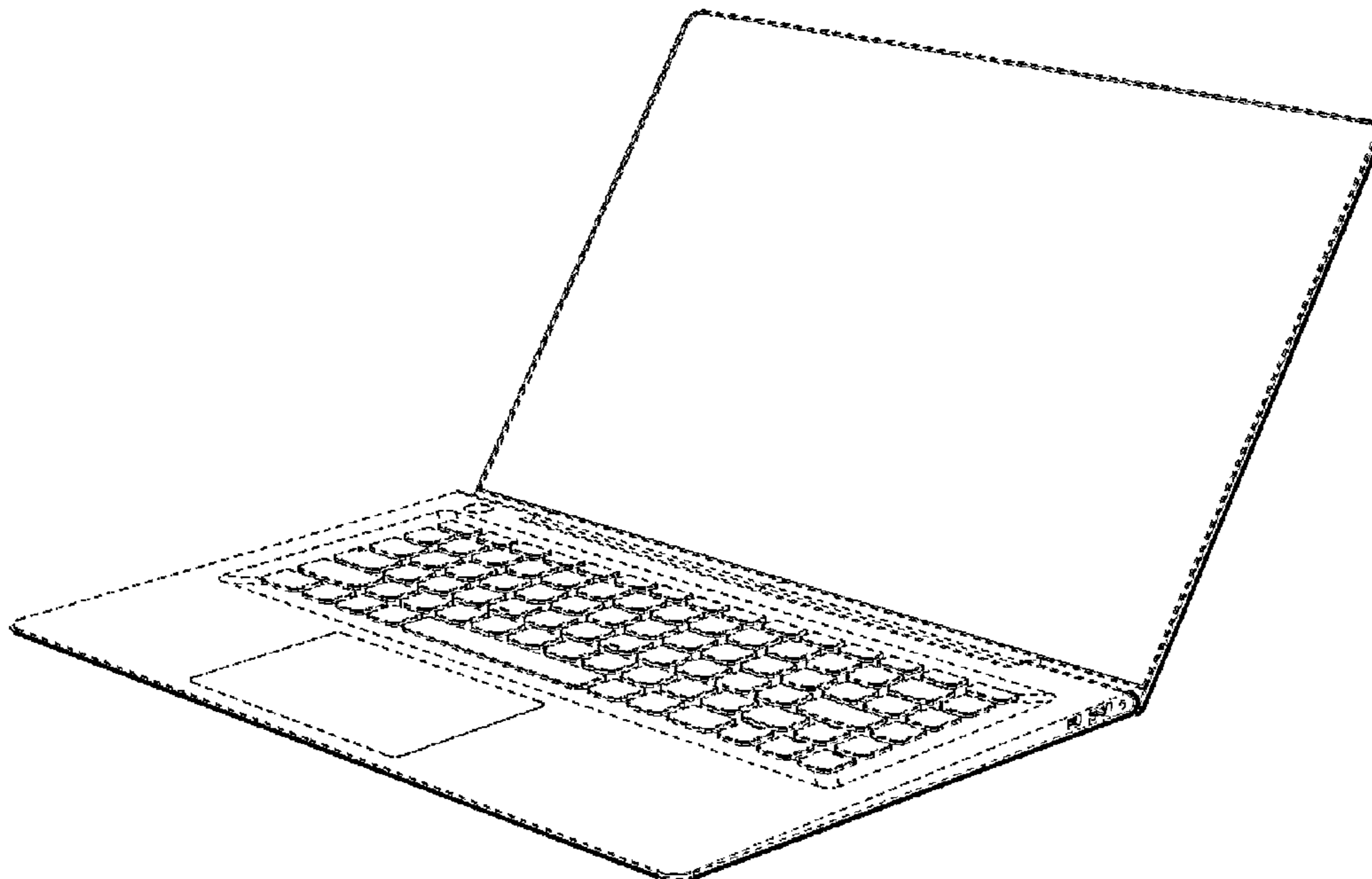


Fig.8