



US00D753643S

(12) **United States Design Patent**  
**Kim et al.**

(10) **Patent No.:** **US D753,643 S**  
(45) **Date of Patent:** **\*\* Apr. 12, 2016**

- (54) **ELECTRONIC DEVICE HOLDER**
- (71) Applicant: **Samsung Electronics Co., Ltd.**,  
Suwon-si, Gyeonggi-do (KR)
- (72) Inventors: **Daejong Kim**, Seoul (KR); **Sangsung Woo**, Seoul (KR); **Jiin Baek**, Seoul (KR); **Hong-Pyo Kim**, Seoul (KR); **Chiyong Ahn**, Seoul (KR)
- (73) Assignee: **SAMSUNG ELECTRONICS CO., LTD.** (KR)

7,626,634	B2 *	12/2009	Ohki	.....	F16M 11/10
					348/207.1
D636,927	S *	4/2011	Lin	.....	D26/138
D667,042	S *	9/2012	Shen	.....	D14/423
D677,707	S *	3/2013	Shen	.....	D16/232
D692,012	S *	10/2013	Thorne	.....	D14/253
D699,242	S *	2/2014	Hu	.....	D14/423
D700,607	S *	3/2014	Cederstrom	.....	D14/420
D714,774	S *	10/2014	Baumann	.....	D14/253
D716,787	S *	11/2014	Takabatake	.....	D14/252
D717,289	S *	11/2014	Takabatake	.....	D14/252
D721,074	S *	1/2015	Harris	.....	D14/253
D731,879	S *	6/2015	Williamson	.....	D8/381
D733,115	S *	6/2015	Aspinall	.....	D14/253

(Continued)

- (\*\*) Term: **14 Years**
- (21) Appl. No.: **29/508,553**
- (22) Filed: **Nov. 7, 2014**

*Primary Examiner* — Cynthia Underwood  
(74) *Attorney, Agent, or Firm* — Cantor Colburn LLP

- (30) **Foreign Application Priority Data**
- May 9, 2014 (KR) ..... 30-2014-0023108
- (51) **LOC (10) Cl.** ..... **14-03**
- (52) **U.S. Cl.**  
USPC ..... **D14/253**
- (58) **Field of Classification Search**  
USPC ..... D14/253, 251, 240, 217, 496, 440, 423;  
D8/381  
CPC ..... H04M 1/00; H04M 1/04; H04M 1/06;  
H04M 1/11  
See application file for complete search history.

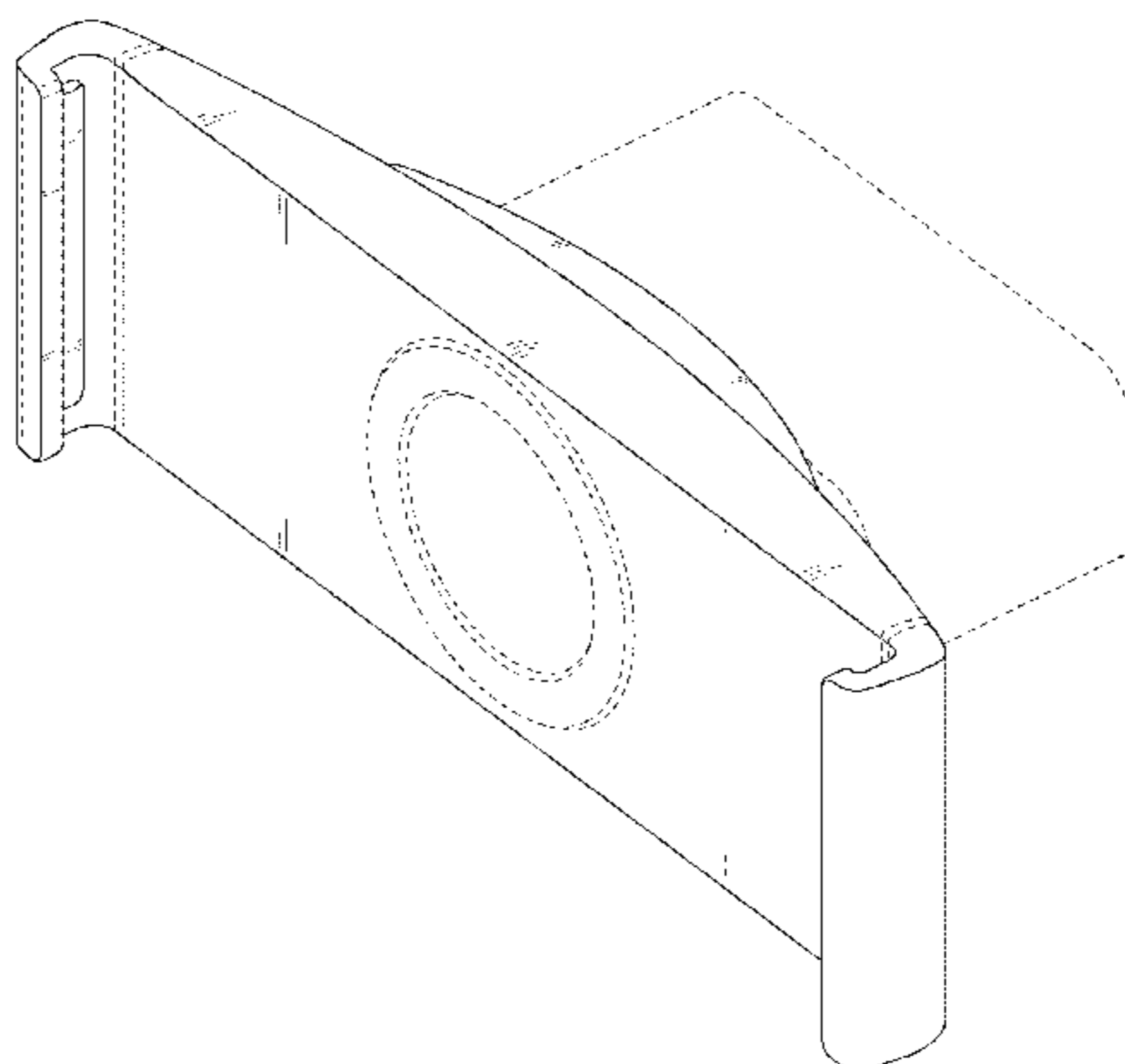
(57) **CLAIM**  
We claim the ornamental design for an electronic device holder, as shown and described.

**DESCRIPTION**

FIG. 1 is a front perspective view of an electronic device holder, showing our new design;  
 FIG. 2 is a front elevation view thereof;  
 FIG. 3 is a rear elevation view thereof;  
 FIG. 4 is a left-side elevation view thereof;  
 FIG. 5 is a right-side elevation view thereof;  
 FIG. 6 is a top plan view thereof;  
 FIG. 7 is a bottom plan view thereof;  
 FIG. 8 is a rear perspective view thereof;  
 FIG. 9 is another perspective view thereof, in a stretched position; and,  
 FIG. 10 is another perspective view thereof, in an environment of use.  
 The broken lines showing of portions of the electronic device holder form no part of the claimed design.  
 The broken lines showing of the electronic device in FIG. 10 are for the purpose of illustrating environmental structure and form no part of the claimed design.

- (56) **References Cited**
- U.S. PATENT DOCUMENTS
- D234,851 S \* 4/1975 Tyson et al. .... D14/149
- D245,520 S \* 8/1977 Smith ..... D14/240
- D301,632 S \* 6/1989 Lohrentz ..... D26/61
- D308,730 S \* 6/1990 Nakagawa ..... D26/107
- D409,992 S \* 5/1999 Mockett ..... D14/451
- D517,402 S \* 3/2006 Cairns ..... D8/381
- D518,480 S \* 4/2006 Zheng ..... D14/307
- D536,124 S \* 1/2007 Liao ..... D26/106
- D556,363 S \* 11/2007 Komar ..... D26/106

**1 Claim, 10 Drawing Sheets**



# US D753,643 S

Page 2

---

(56)

## References Cited

### U.S. PATENT DOCUMENTS

D739,382 S *	9/2015	Niho .....	D14/217	
D740,295 S *	10/2015	Alegiani .....	D14/453	* cited by examiner
D740,799 S *	10/2015	Fan .....	D14/253	
D741,313 S *	10/2015	Moon .....	D14/253	
D742,961 S *	11/2015	Backs .....	D18/50	

FIG. 1

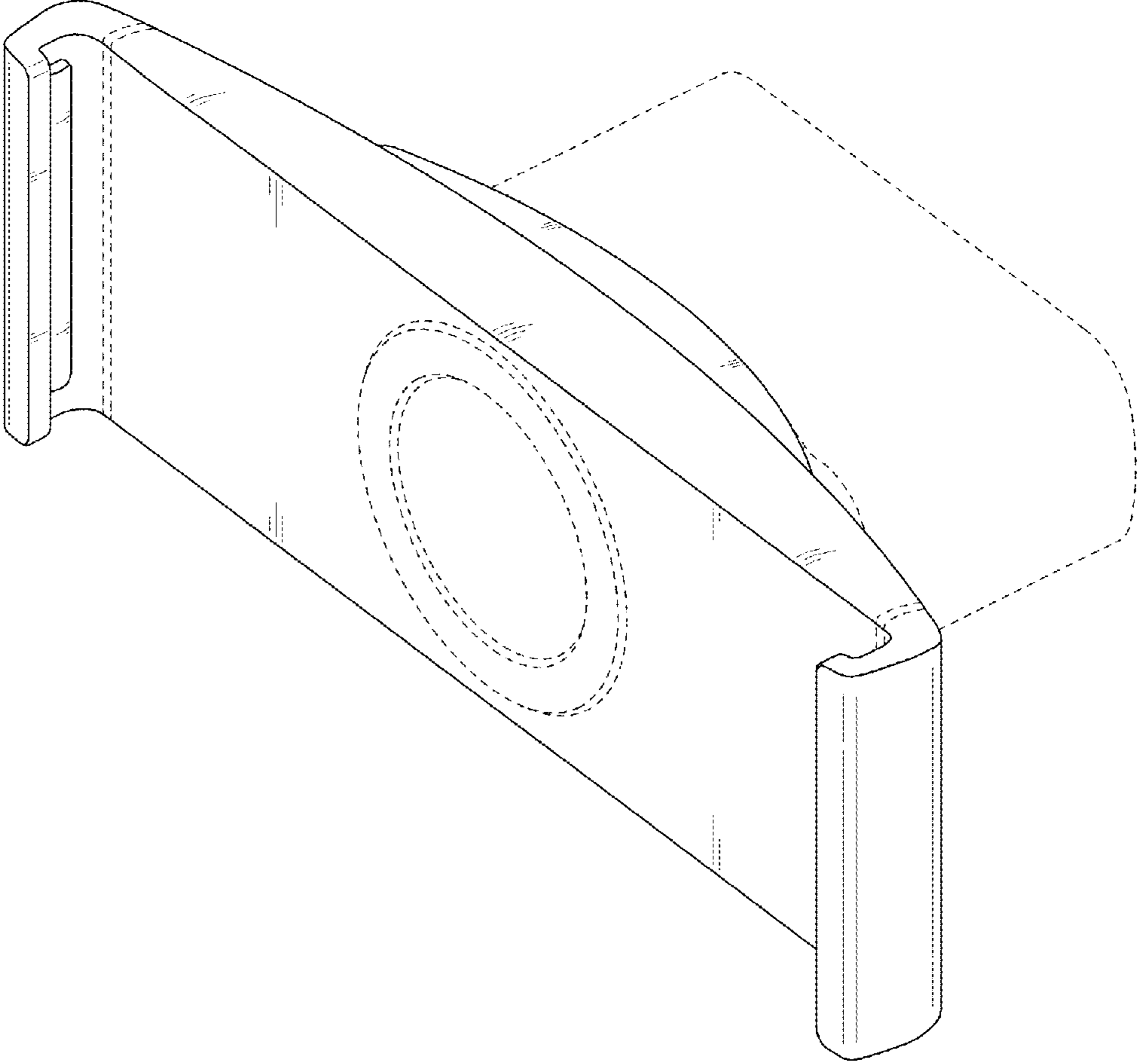


FIG. 2

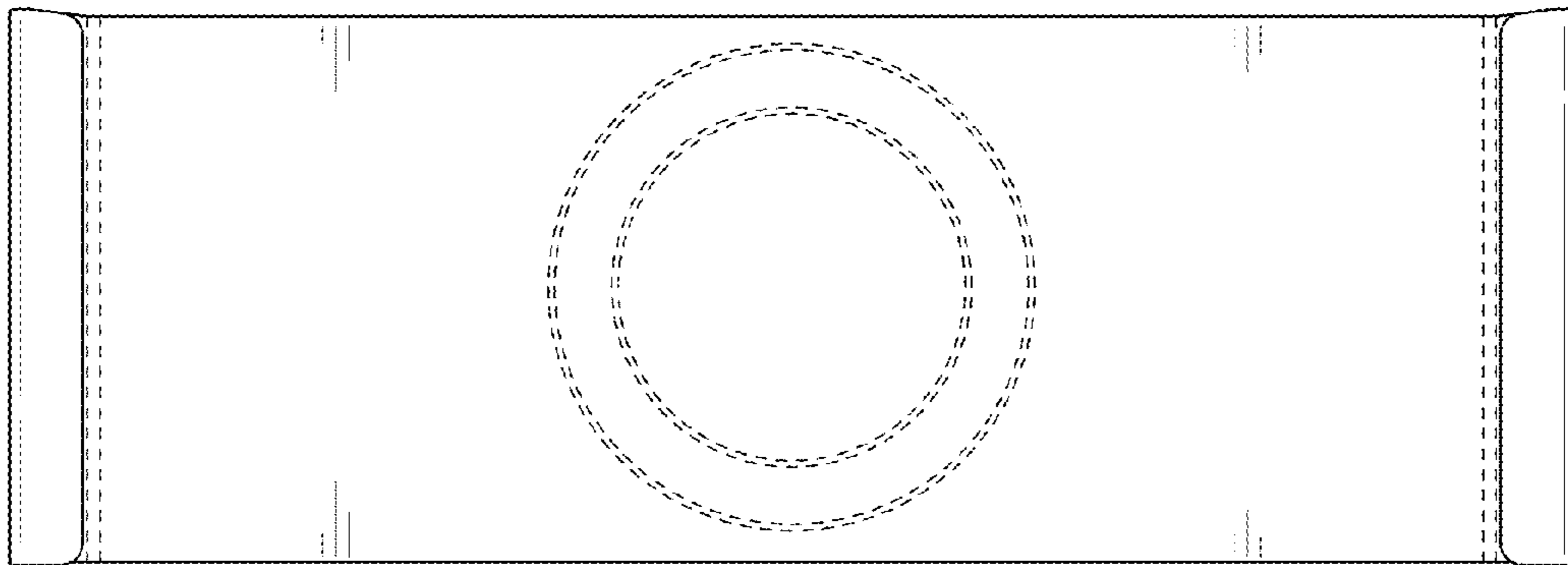


FIG. 3

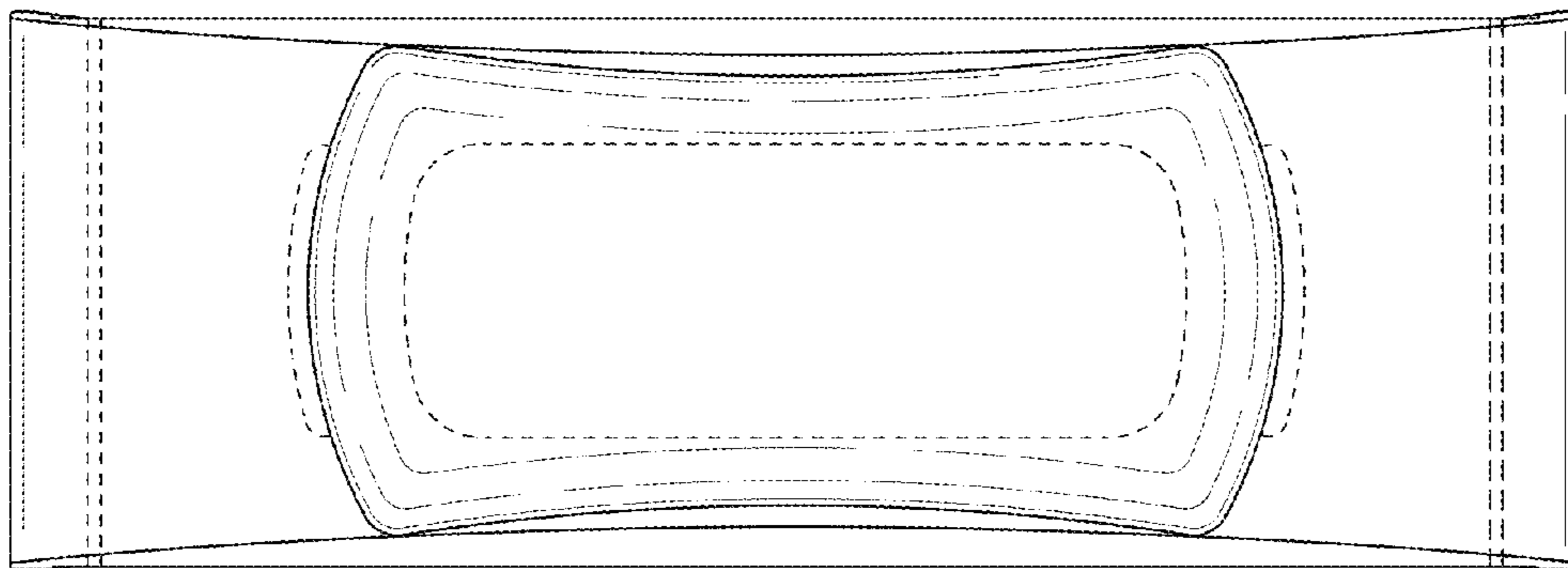


FIG. 4

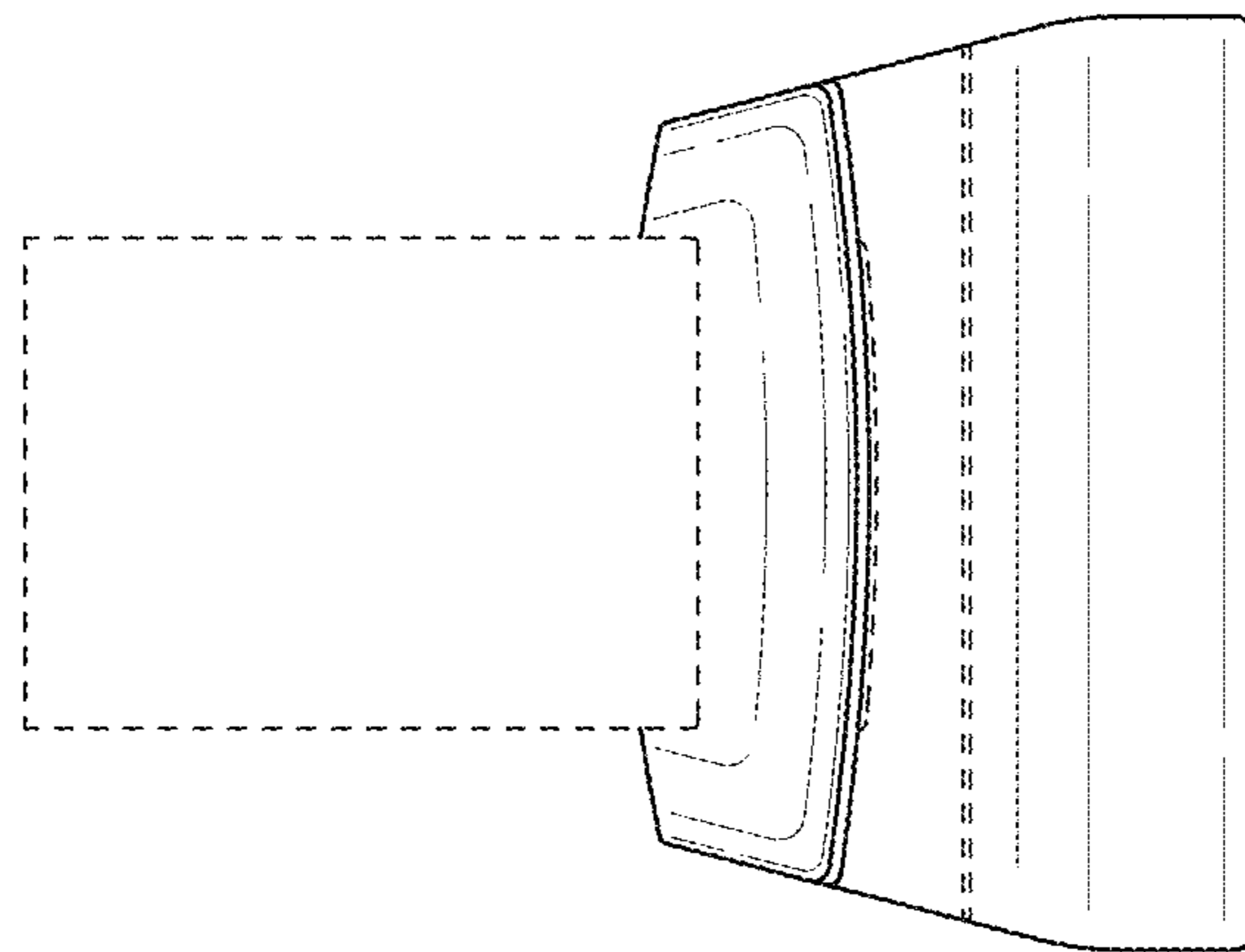


FIG. 5

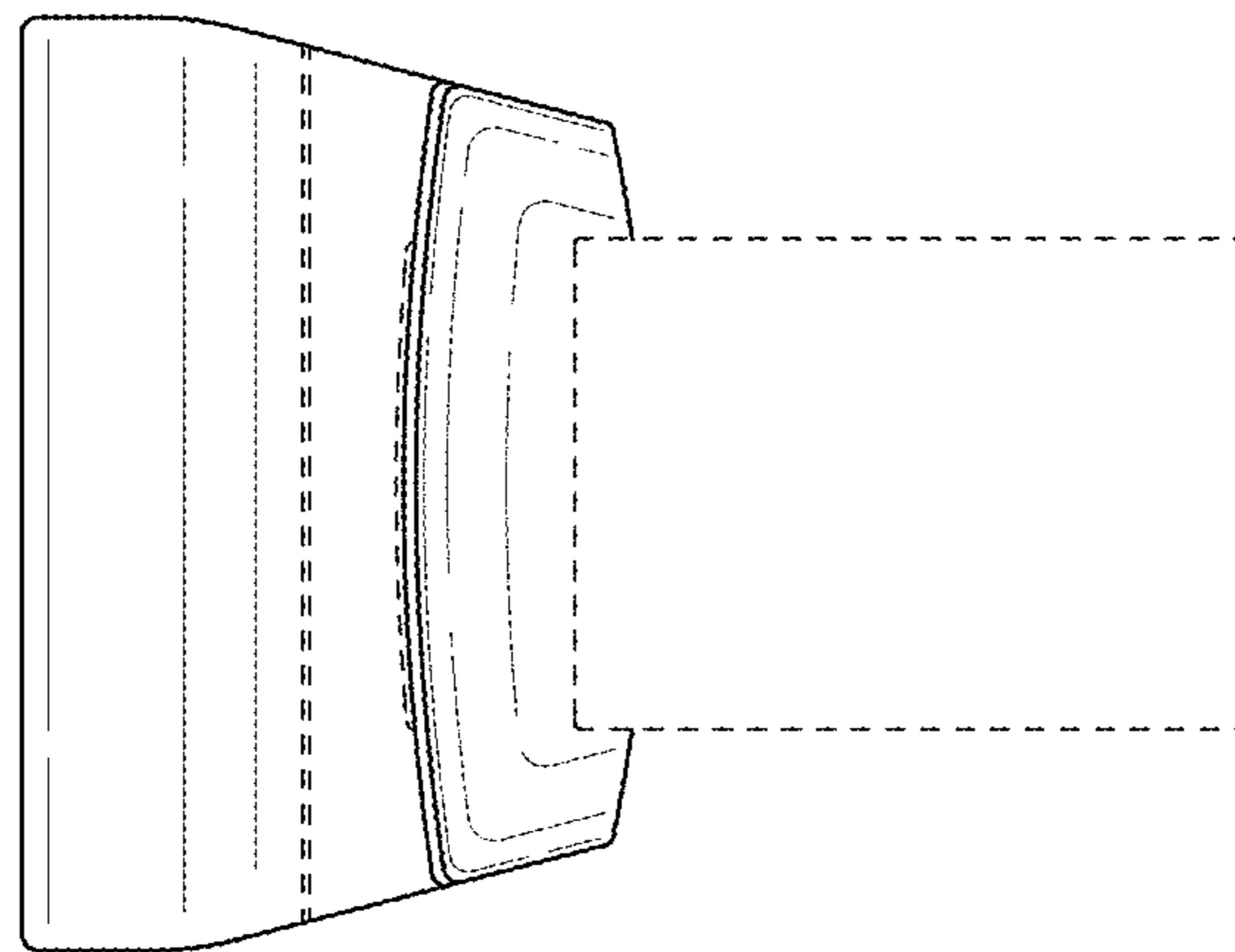


FIG. 6

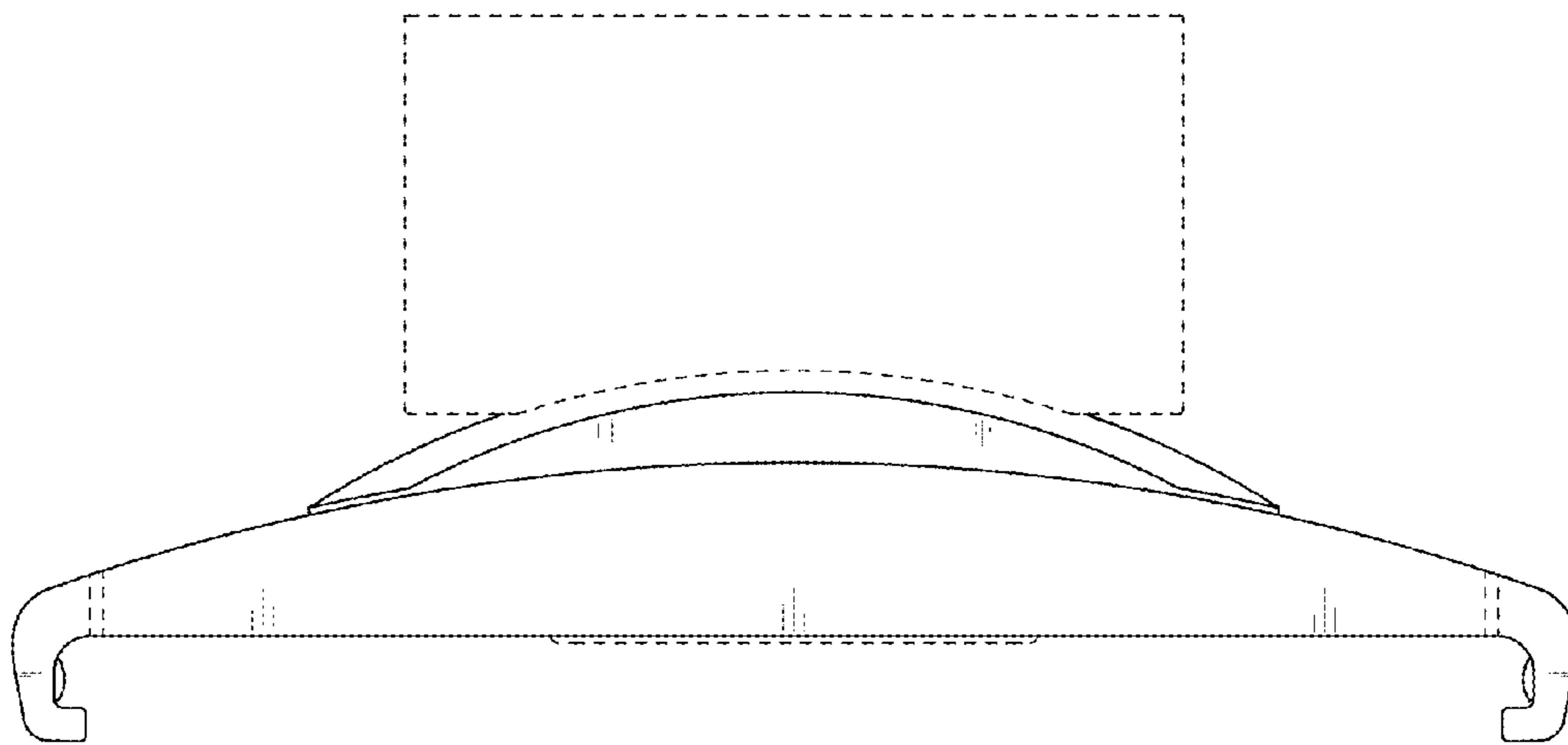




FIG. 7

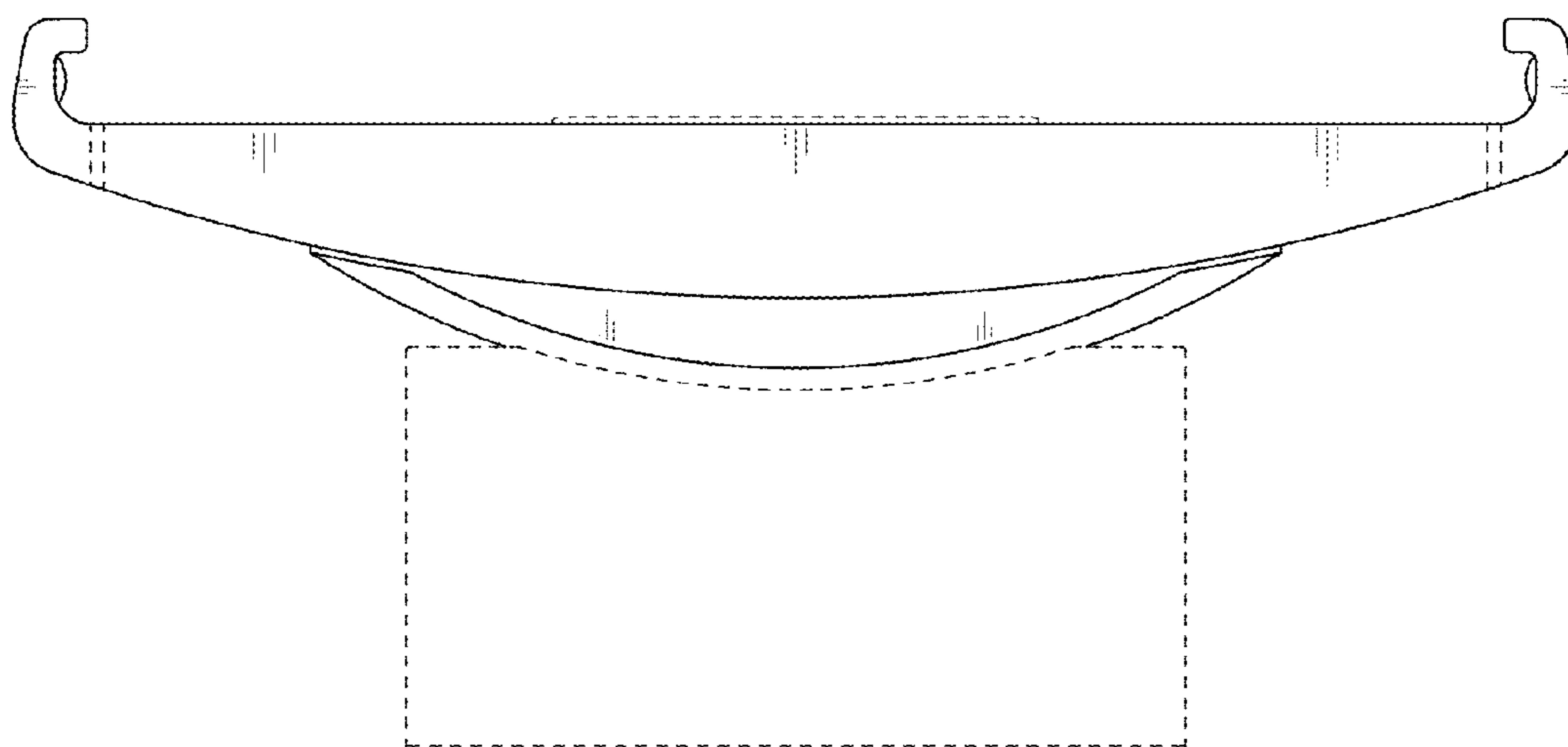


FIG. 8

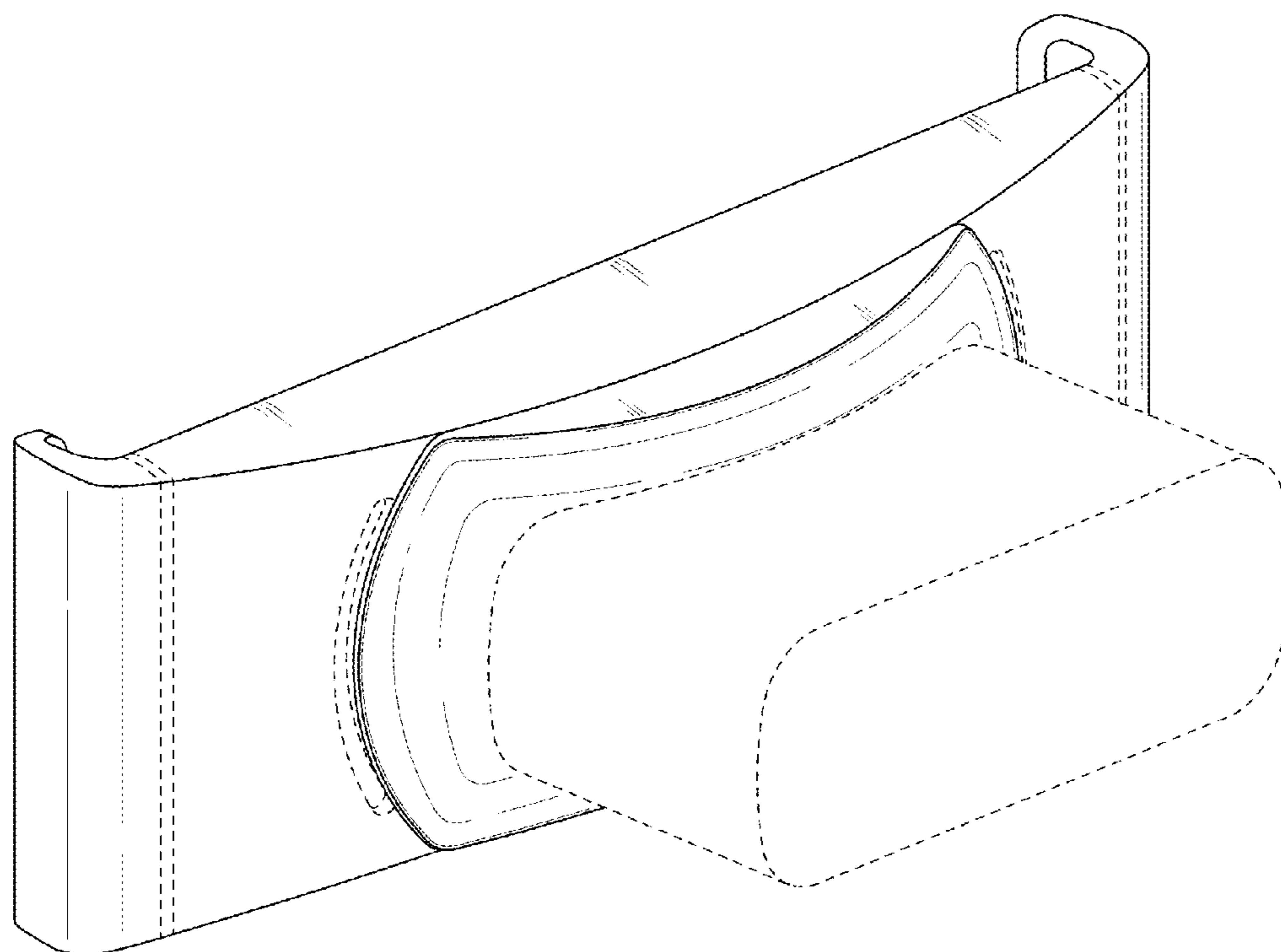


FIG. 9

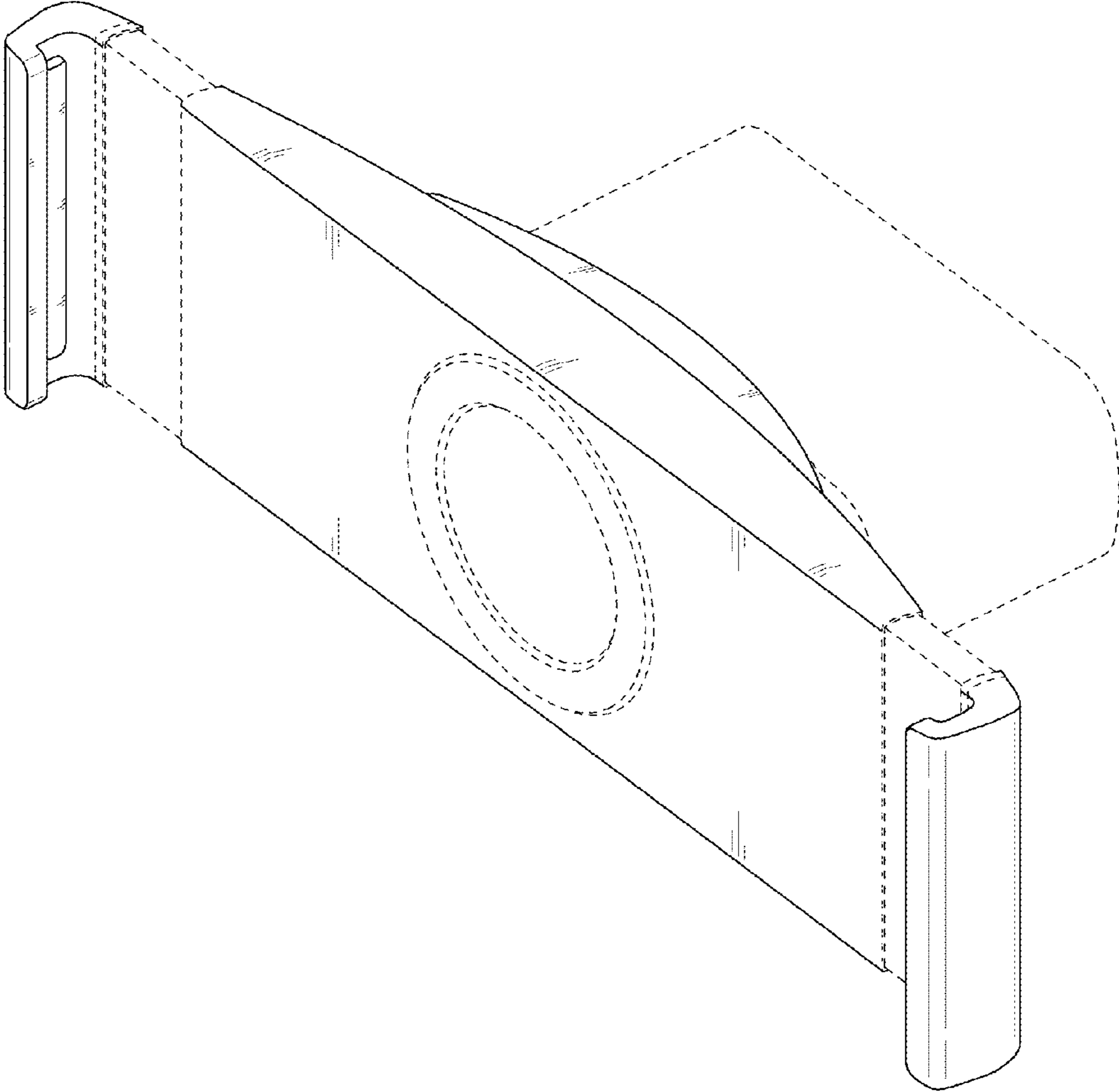


FIG. 10

