



US00D753637S

(12) **United States Design Patent**  
**Shin et al.**

(10) **Patent No.:** **US D753,637 S**  
(45) **Date of Patent:** **\*\* Apr. 12, 2016**

(54) **TELEVISION RECEIVER**

(71) Applicant: **Samsung Electronics Co., Ltd.**,  
Suwon-si, Gyeonggi-do (KR)

(72) Inventors: **Rina Shin**, Seoul (KR); **Hyung-Ho Hwangbo**, Seoul (KR); **Hae-Sung Park**, Seoul (KR); **Christopher Edward Bangle**, Clavesana (IT); **Nam-Hyun Park**, Namyangju-Si (KR); **Do-Sung Jung**, Seoul (KR)

(73) Assignee: **SAMSUNG ELECTRONICS CO., LTD.** (KR)

(\*\*) Term: **14 Years**

(21) Appl. No.: **29/472,320**

(22) Filed: **Nov. 11, 2013**

(30) **Foreign Application Priority Data**

Jun. 20, 2013 (KR) ..... 30-2013-0031782

(51) **LOC (10) Cl.** ..... **14-03**

(52) **U.S. Cl.**  
USPC ..... **D14/239**

(58) **Field of Classification Search**

USPC ..... D14/125–135, 371–382, 336, 448–452  
CPC ..... G06F 1/1601; G06F 2200/1612; G06F 1/1616; G06F 1/1677; G06F 1/1681; F16M 11/2021; F16M 11/04; F16M 11/041; F16M 11/105; F16M 11/12; F16M 11/18; F16M 11/22; F16M 11/24; F16M 2200/024; F16M 2200/068; F16M 11/02; F16M 11/14; F16M 11/2064; F16M 11/42; F16M 13/00  
See application file for complete search history.

(56) **References Cited**

**U.S. PATENT DOCUMENTS**

D460,056 S \* 7/2002 Niitsu ..... D14/126  
D504,669 S \* 5/2005 Fujiki ..... D14/126  
D560,625 S \* 1/2008 Niitsu ..... D14/126

D571,748 S \* 6/2008 Ellison ..... D14/126  
D656,473 S \* 3/2012 Laube et al. .... D14/126  
D664,513 S \* 7/2012 Laube et al. .... D14/126  
D675,583 S \* 2/2013 Kubota ..... D14/126  
D690,674 S \* 10/2013 Lu et al. .... D14/126  
D709,843 S \* 7/2014 Inoue et al. .... D14/126  
D725,059 S \* 3/2015 Kim et al. .... D14/126  
D729,797 S \* 5/2015 Hickok et al. .... D14/371

\* cited by examiner

*Primary Examiner* — Susan Bennett Hattan

*Assistant Examiner* — Brett Miller

(74) *Attorney, Agent, or Firm* — Cantor Colburn LLP

(57) **CLAIM**

The ornamental design for a television receiver, as shown and described.

**DESCRIPTION**

FIG. 1 is a perspective view of a television receiver, showing our new design;

FIG. 2 is a front view thereof;

FIG. 3 is a rear view thereof;

FIG. 4 is a side view thereof;

FIG. 5 is another side view thereof;

FIG. 6 is a top plan view thereof;

FIG. 7 is a bottom plan view thereof;

FIG. 8 is a rear perspective view thereof;

FIG. 9 is an enlarged view of the encircled portion 9 in FIG. 1;

FIG. 10 is an enlarged cross section view taken along line 10-10 of FIG. 2;

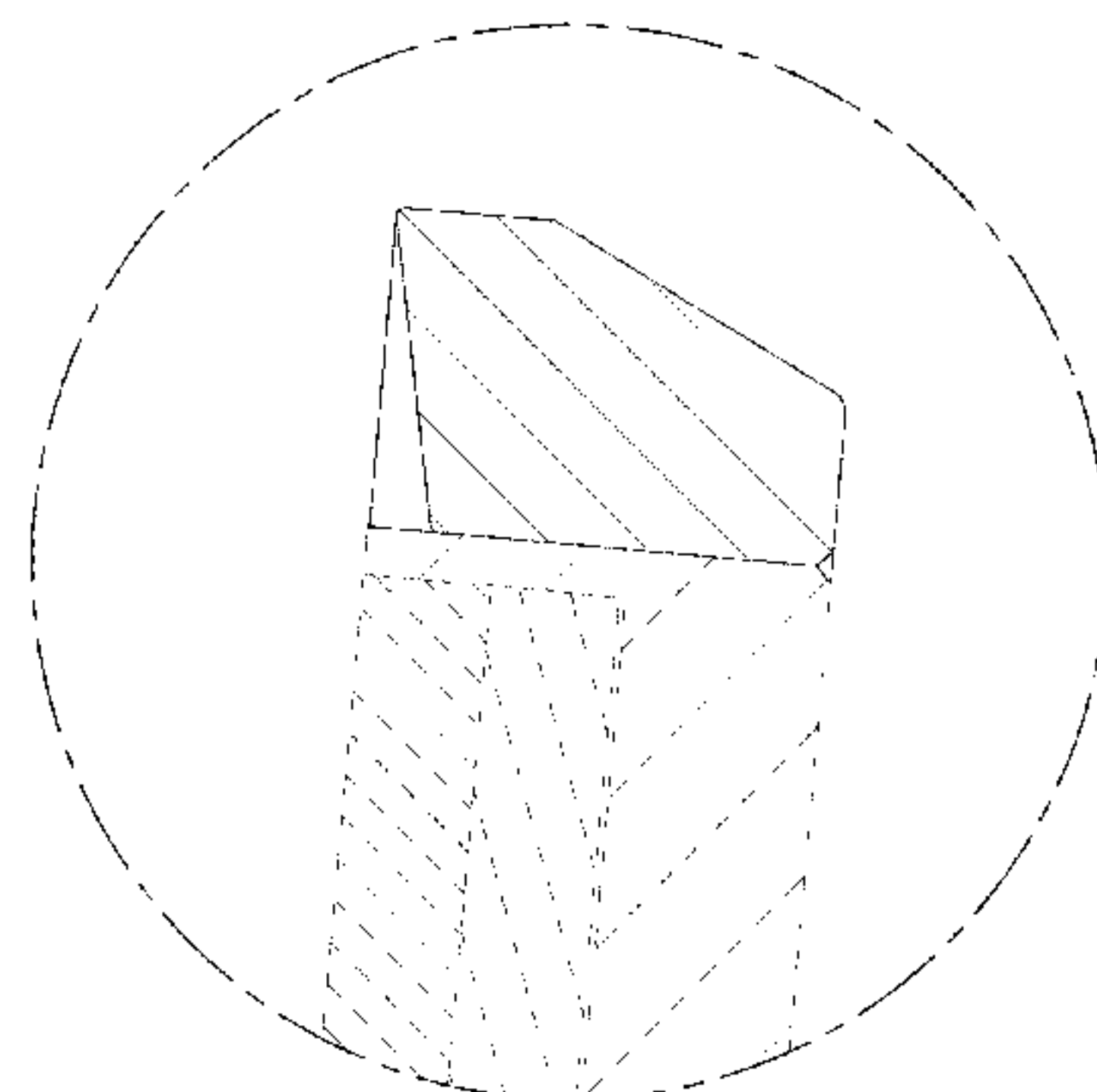
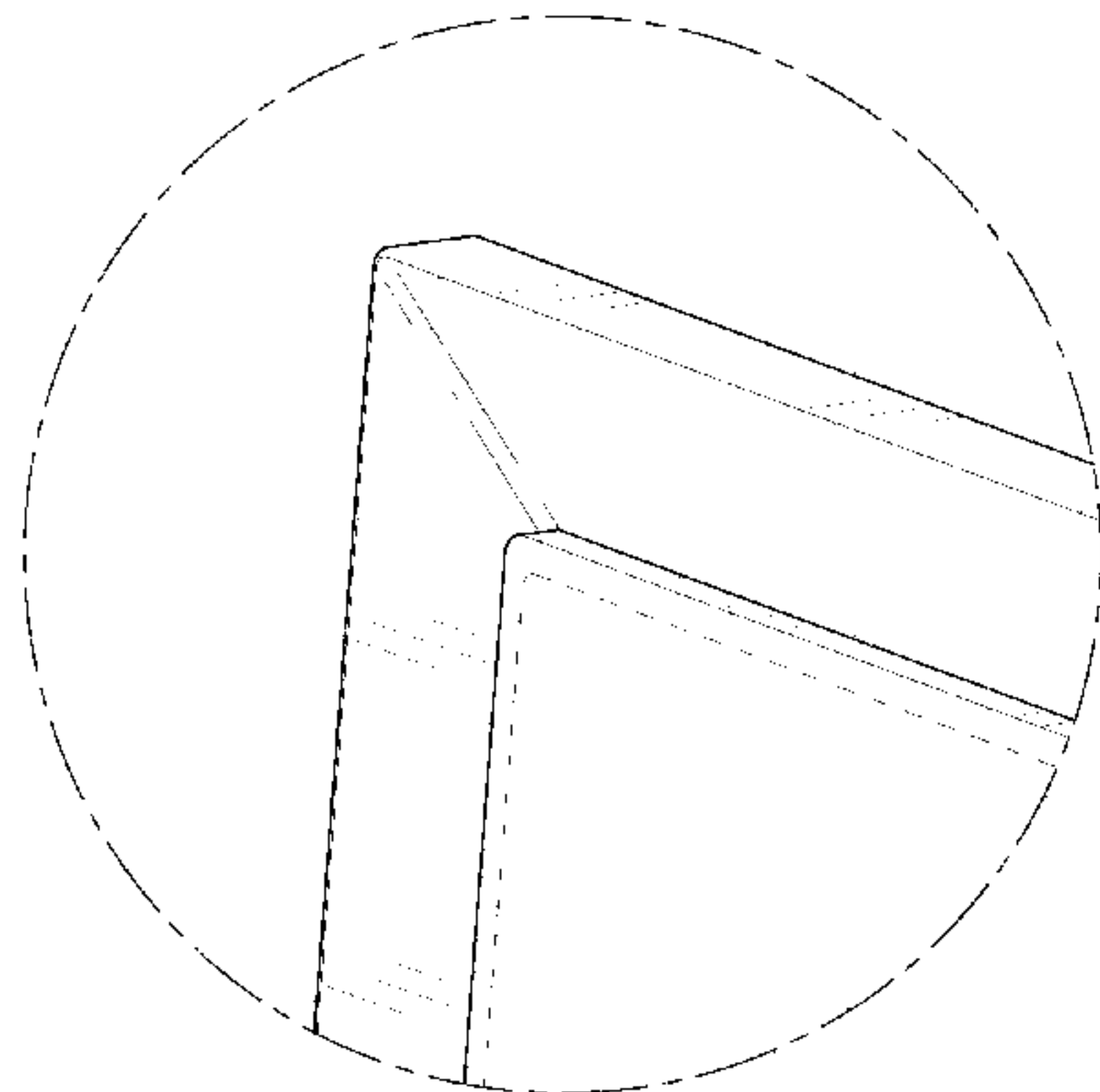
FIG. 11 is an enlarged view of the encircled portion 11 in FIG. 10; and,

FIG. 12 is an enlarged view of the encircled portion 12 in FIG. 10.

The even length broken lines depict portions of the television receiver that form no part of the claimed design. The uneven length broken lines depict the locations and borders of enlarged and/or sectional views and form no part of the claimed design.

The shade lines in the figures show contour and not surface ornamentation.

**1 Claim, 11 Drawing Sheets**



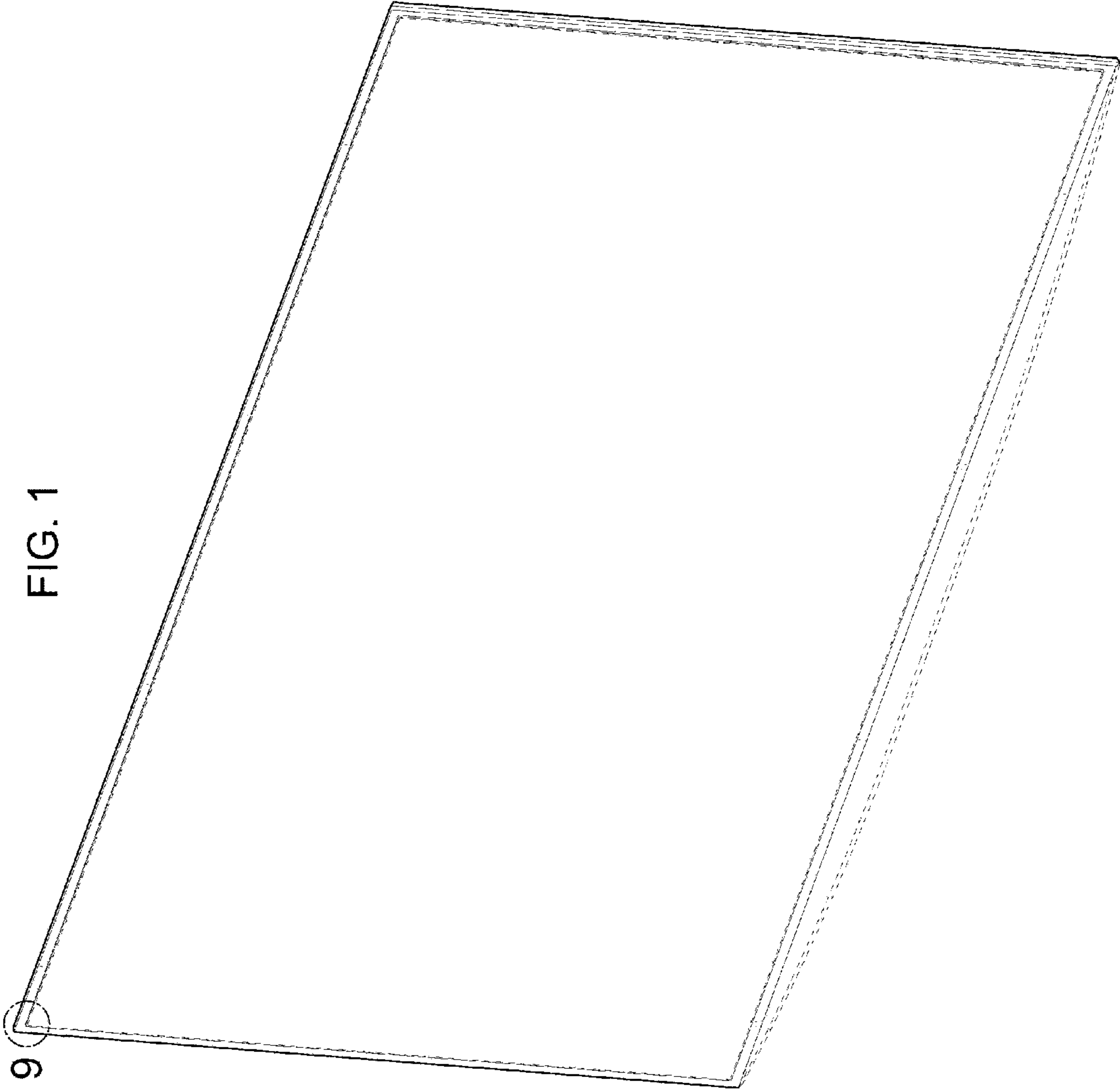


FIG. 2

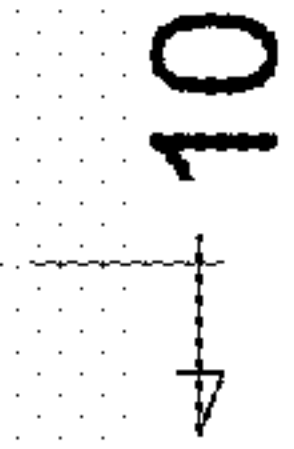
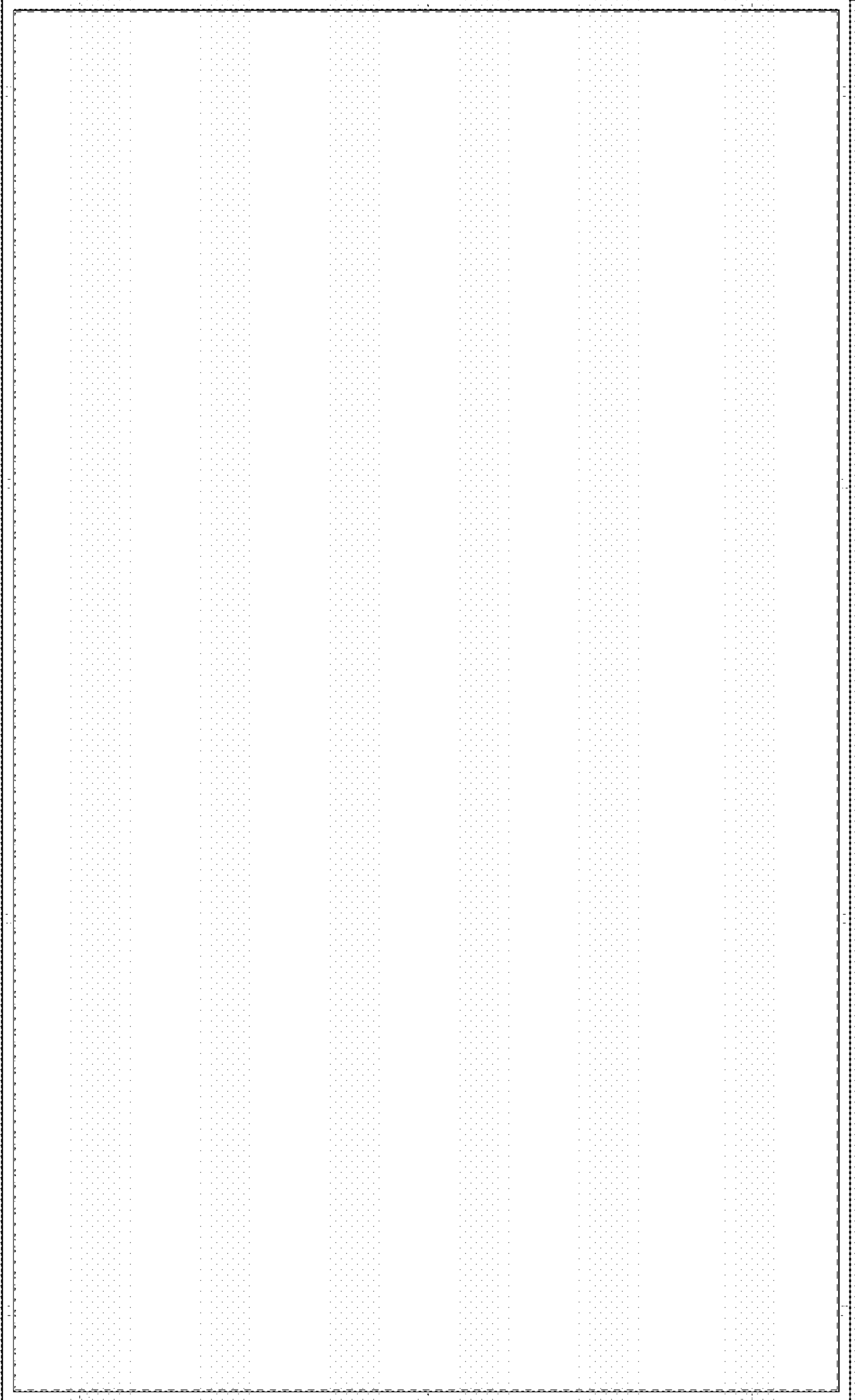


FIG. 3

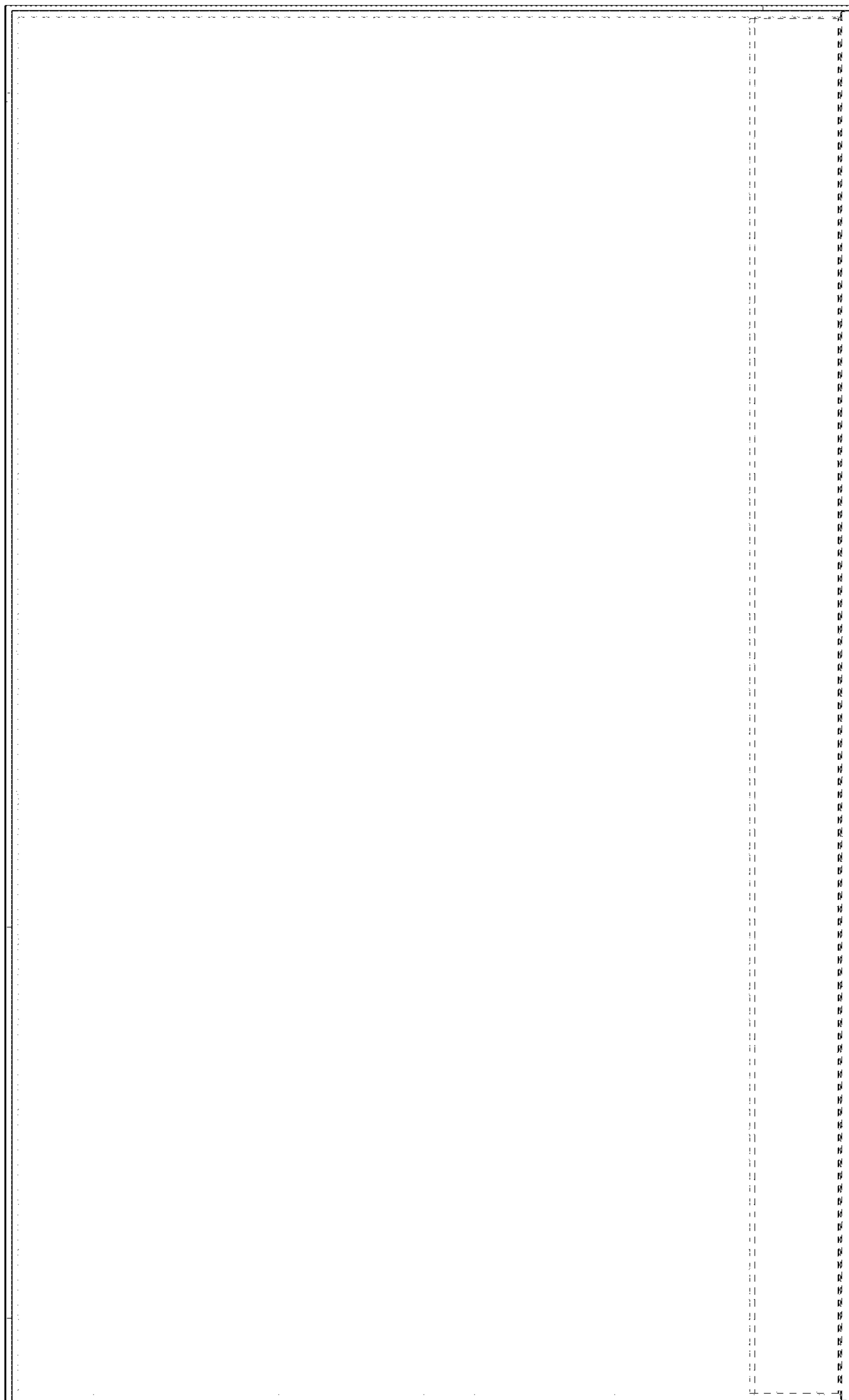


FIG. 5

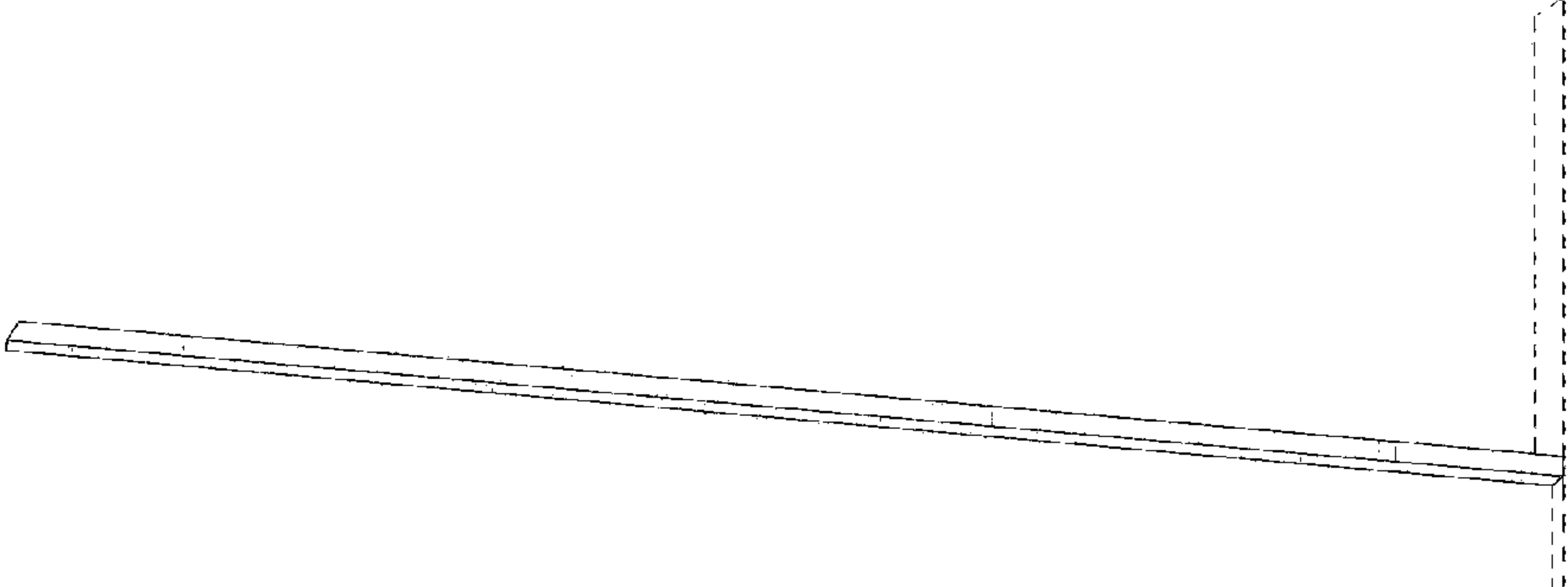


FIG. 4

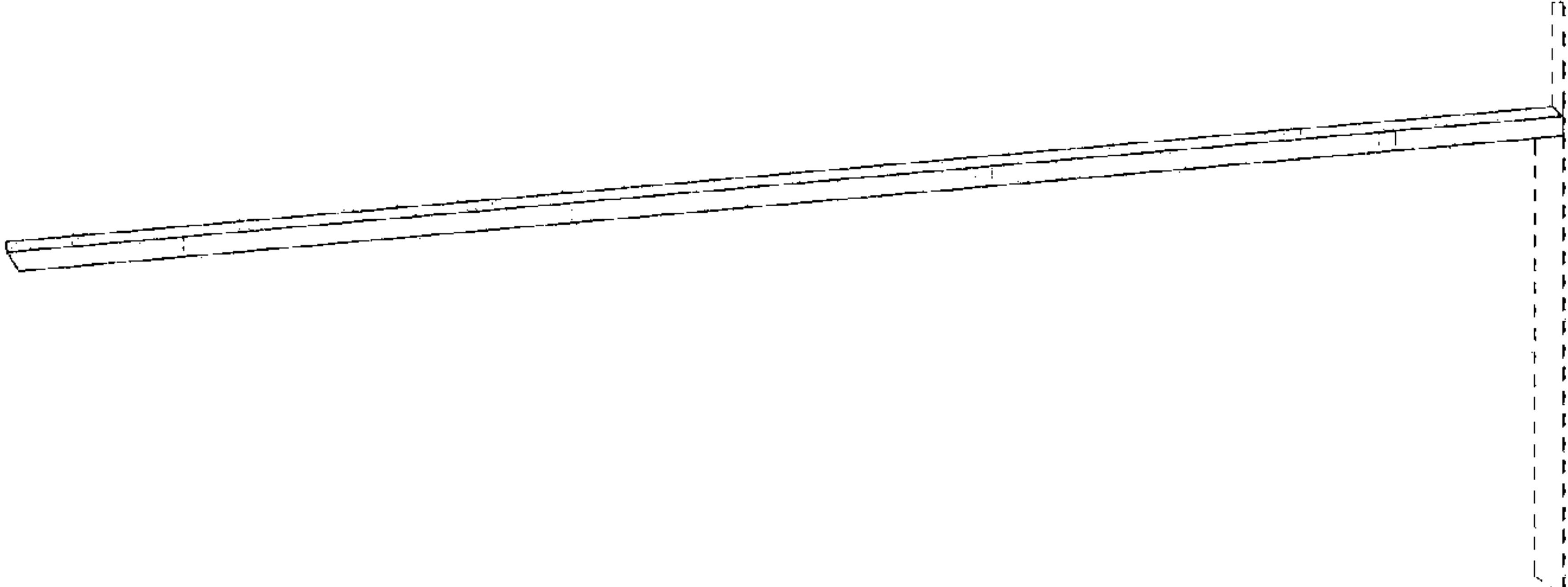


FIG. 6

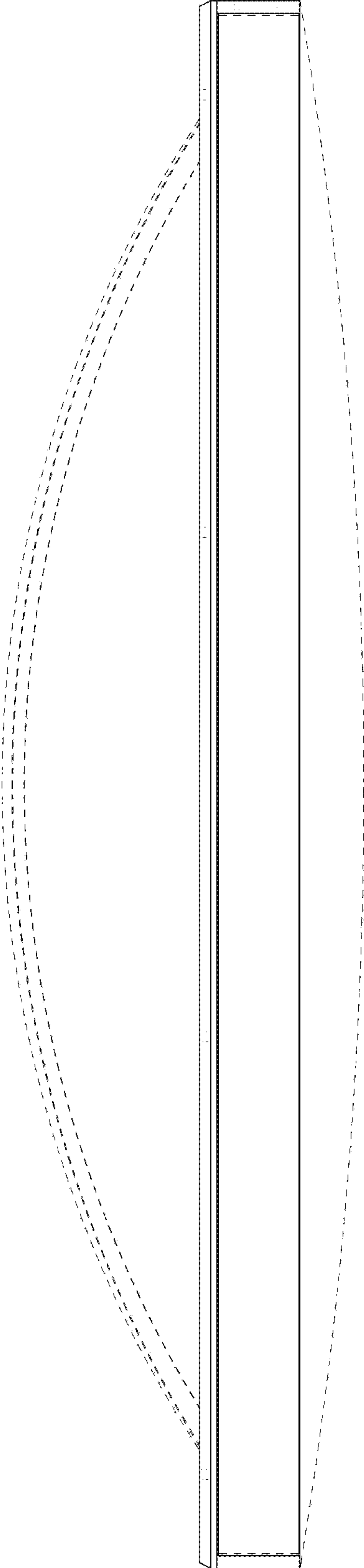
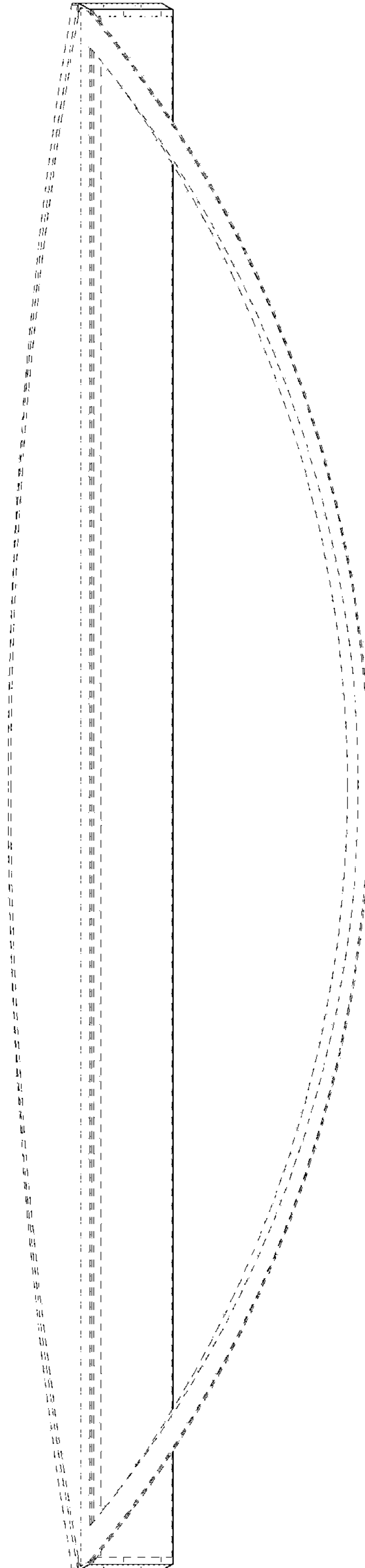


FIG. 7



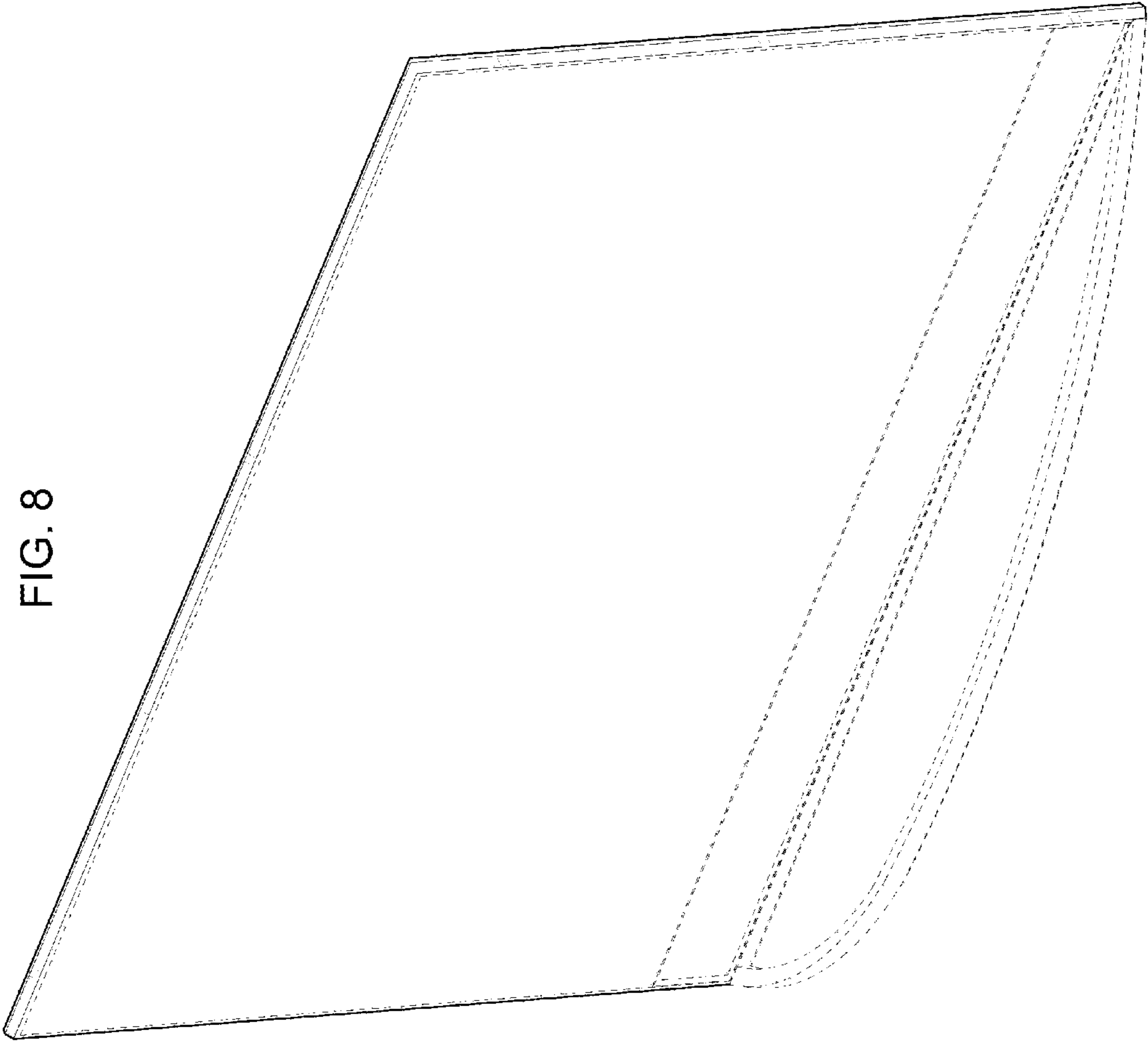
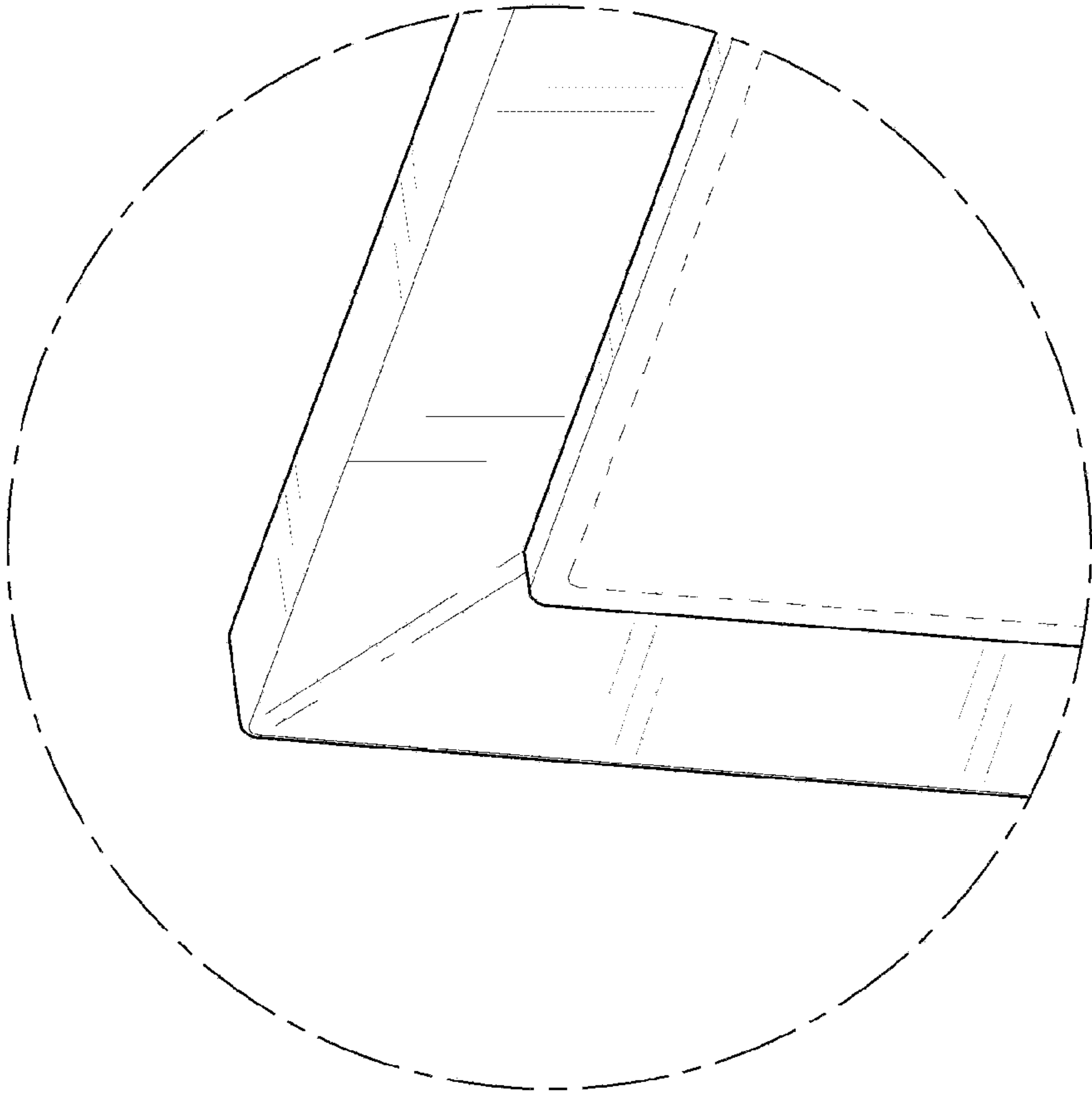


FIG. 8



FIG. 9



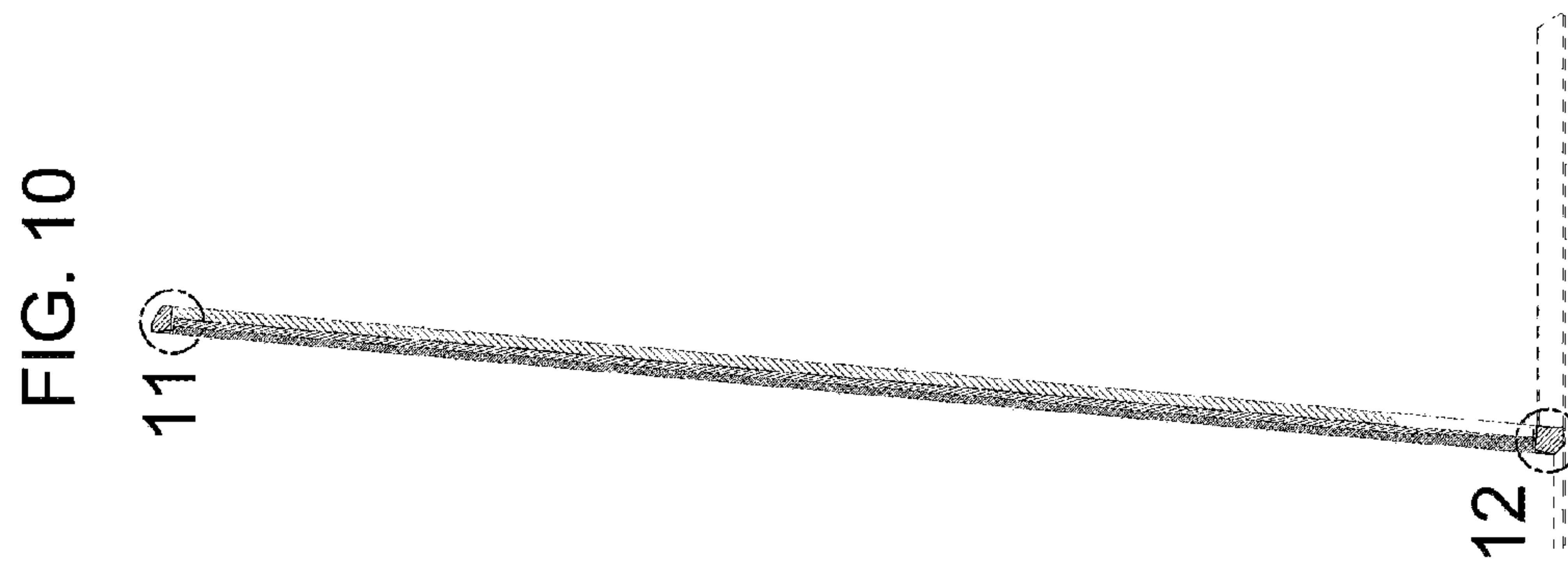


FIG. 11

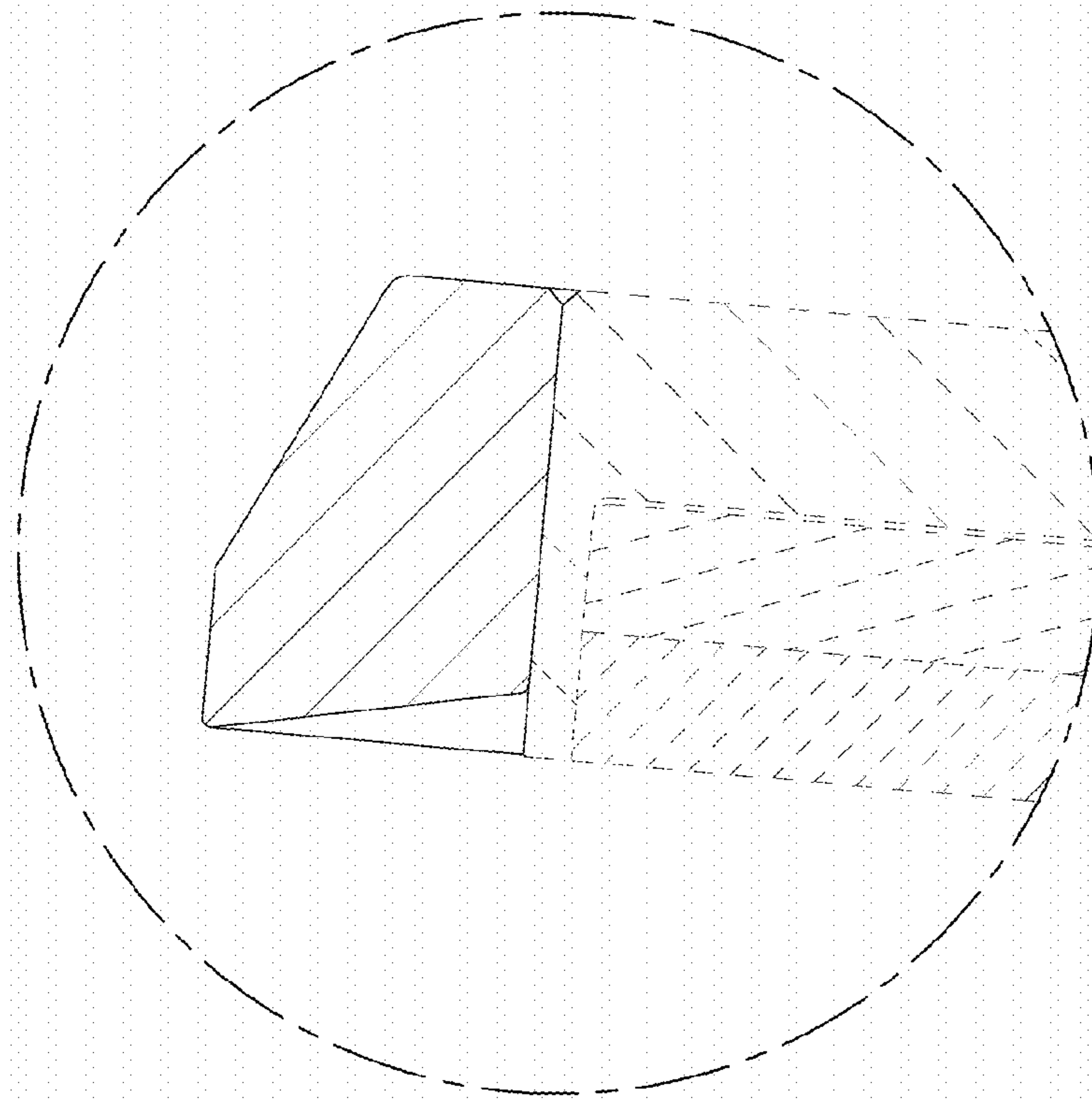


FIG. 12

