



US00D753636S

(12) **United States Design Patent**
Gondo

(10) **Patent No.:** **US D753,636 S**
(45) **Date of Patent:** **** Apr. 12, 2016**

(54) **EARPHONE**

(71) Applicant: **JVC KENWOOD Corporation,**
Yokohama-shi (JP)

(72) Inventor: **Makoto Gondo,** Yokohama (JP)

(73) Assignee: **JVC KENWOOD CORPORATION,**
Yokohama-shi (JP)

(**) Term: **14 Years**

(21) Appl. No.: **29/516,751**

(22) Filed: **Feb. 5, 2015**

(30) **Foreign Application Priority Data**

Aug. 27, 2014 (JP) 2014-018748

(51) **LOC (10) Cl.** **14-01**

(52) **U.S. Cl.**
USPC **D14/223; D14/205**

(58) **Field of Classification Search**
USPC D14/205, 223; 181/129, 130, 135;
379/430, 431; 381/380, 381; 455/90.3,
455/575.1

CPC H04R 1/10
See application file for complete search history.

(56) **References Cited**

U.S. PATENT DOCUMENTS

4,981,194	A *	1/1991	Kamon	H04R 1/08 181/129
D337,589	S *	7/1993	Wada	D14/223
6,084,976	A *	7/2000	Lin	H04R 1/1016 181/129
D430,146	S *	8/2000	Lin	D14/223
D431,553	S *	10/2000	Suzuki	D14/223
D457,514	S *	5/2002	Marion	D14/223
6,574,345	B1 *	6/2003	Huang	H04R 1/1016 379/430
D485,548	S *	1/2004	Obata	D14/223
D487,077	S *	2/2004	Obata	D14/223
6,704,429	B2 *	3/2004	Lin	H04R 1/1016

D514,551	S *	2/2006	Lee	181/130 D14/205
D539,268	S *	3/2007	Suzuki	D14/206
D542,782	S *	5/2007	Pena Angarita	D14/223
D554,627	S *	11/2007	Gondo	D14/223
D566,099	S *	4/2008	Komiyama	D14/206
D567,217	S *	4/2008	Kamo	D14/205
D569,841	S *	5/2008	Chung	D14/205
D572,703	S *	7/2008	Ledbetter	D14/205
D573,978	S *	7/2008	Ledbetter	D14/205
D587,685	S *	3/2009	Densho	D14/206
D594,441	S *	6/2009	Lee	D14/205
D598,894	S *	8/2009	Masuda	D14/205
D605,182	S *	12/2009	Fagnot	D14/223
D606,971	S *	12/2009	Christopher	D14/205
D611,934	S *	3/2010	Schaefer	D14/223
D618,211	S *	6/2010	Oguro	D14/205
D626,117	S *	10/2010	Lowry	D14/223
D627,764	S *	11/2010	Tsai	D14/223
D637,585	S *	5/2011	Nagayama	D14/223
D642,163	S *	7/2011	Lee	D14/223
D656,491	S *	3/2012	Nomura	D14/223
D666,996	S *	9/2012	Hardi	D14/223

(Continued)

Primary Examiner — Paula Greene

(74) *Attorney, Agent, or Firm* — Venable LLP; Michael A. Sartori; Tamatane J. Aga

(57) **CLAIM**

The ornamental design for an earphone, as shown and described.

DESCRIPTION

FIG. 1 is a front perspective view of an earphone showing my new design;

FIG. 2 is a front view thereof;

FIG. 3 is a rear view thereof;

FIG. 4 is a top plan view thereof;

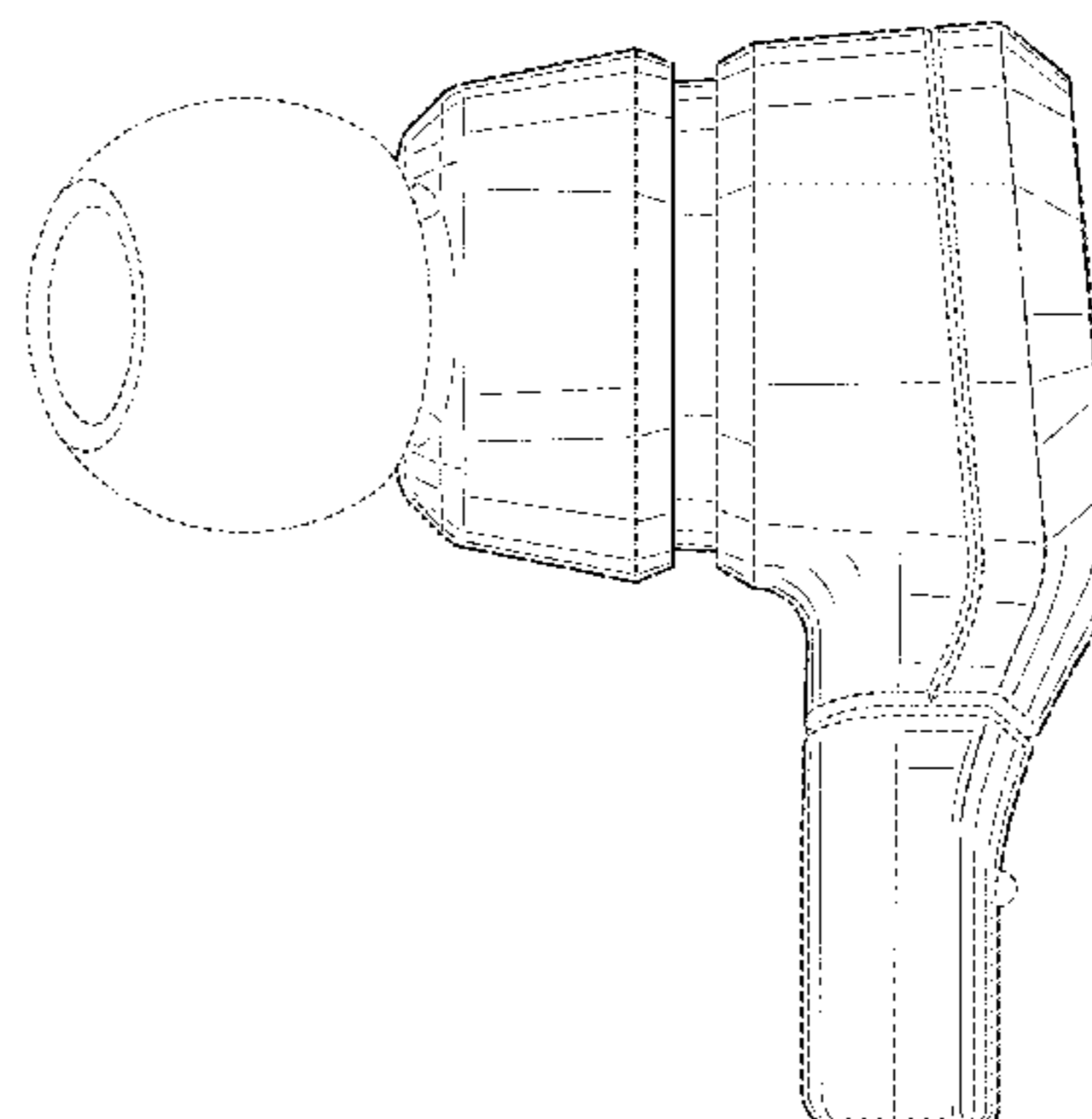
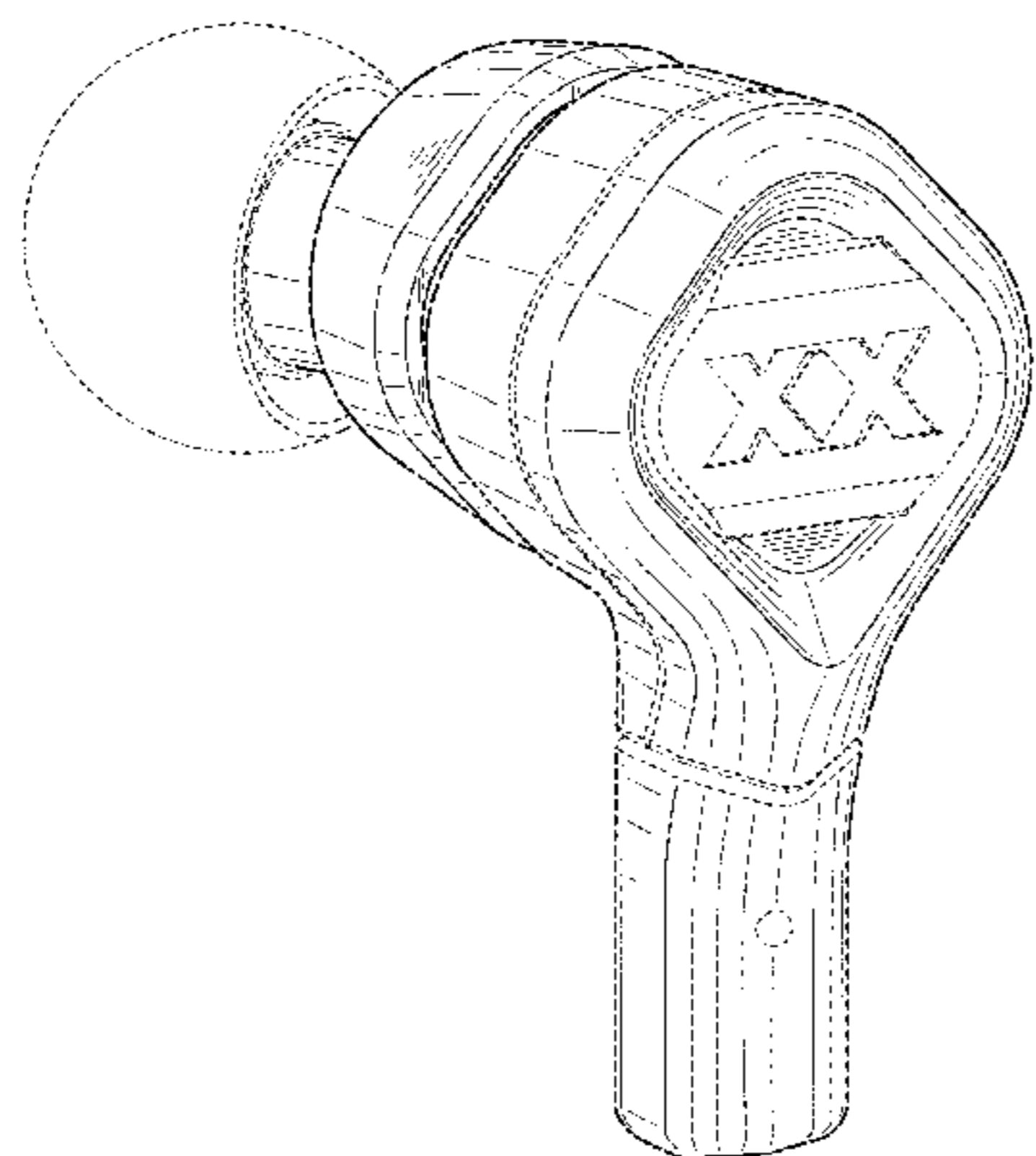
FIG. 5 is a bottom plan view thereof;

FIG. 6 is a right side view thereof; and,

FIG. 7 is a left side view thereof.

The portions of the drawings shown in broken lines are for illustrative purposes only and form no part of the claimed design.

1 Claim, 7 Drawing Sheets



(56)

References Cited

U.S. PATENT DOCUMENTS

D670,275 S *	11/2012	Tompkin	D14/223	8,594,359 B2 *	11/2013	Takei	H04R 1/1016 381/370
D673,531 S *	1/2013	Lee	D14/223	D698,748 S *	2/2014	Naitou	D14/205
D673,532 S *	1/2013	Lee	D14/223	D699,214 S *	2/2014	Gondo	D14/205
8,391,536 B2 *	3/2013	Hashimoto	H04R 1/1016 381/370	D707,652 S *	6/2014	Brunner	D14/205
D683,334 S *	5/2013	Gondo	D14/223	D710,334 S *	8/2014	Yang	D14/223
D685,770 S *	7/2013	Lee	D14/223	D711,858 S *	8/2014	Yang	D14/223
D686,597 S *	7/2013	Lee	D14/223	D719,550 S *	12/2014	Yang	D14/223
D689,471 S *	9/2013	Hardi	D14/223	D735,699 S *	8/2015	Yasuda	D14/223
					D737,798 S *	9/2015	Yoshimura	D14/205
					D743,947 S *	11/2015	Yoshimura	D14/223

* cited by examiner

FIG. 1

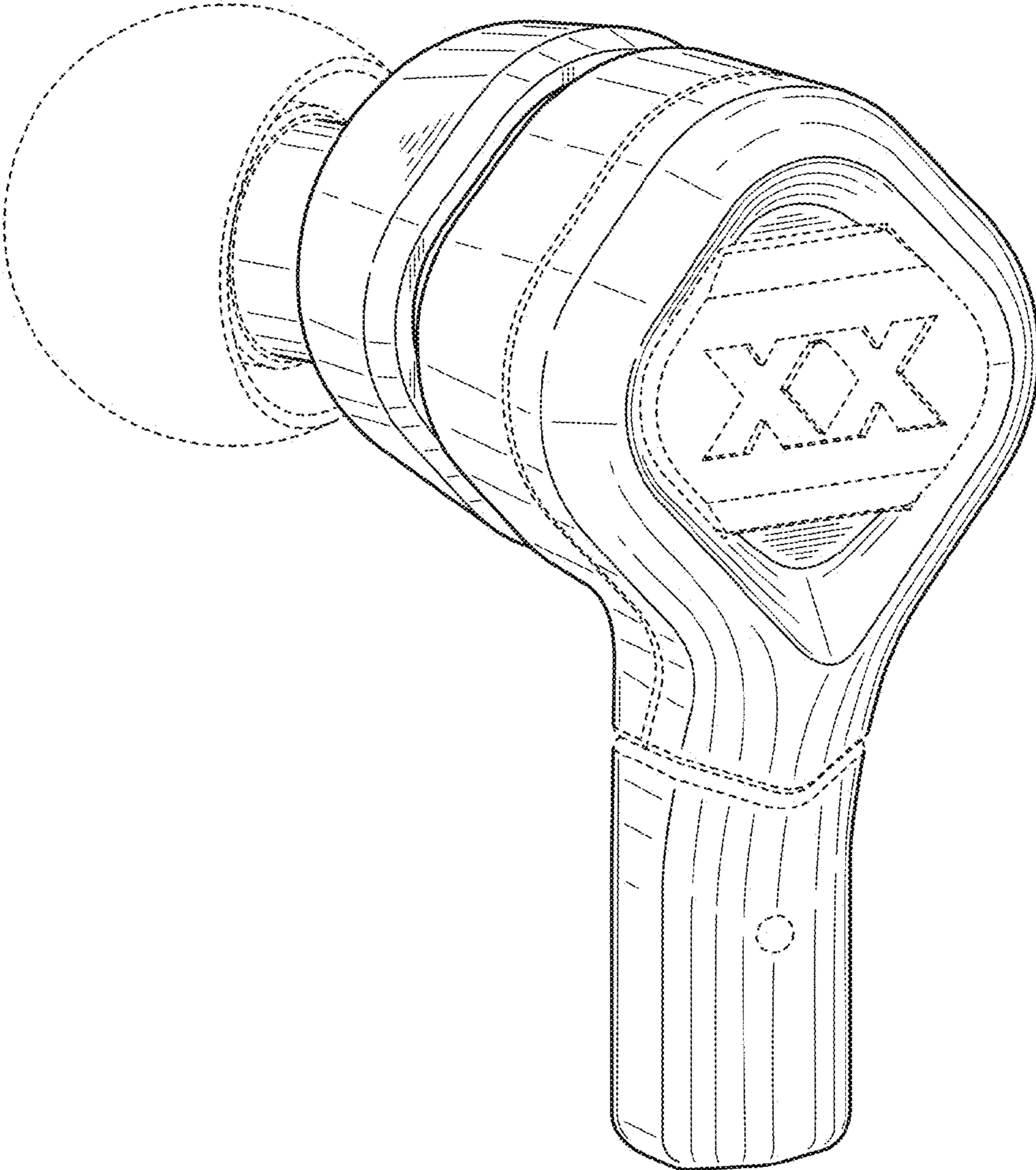


FIG. 2

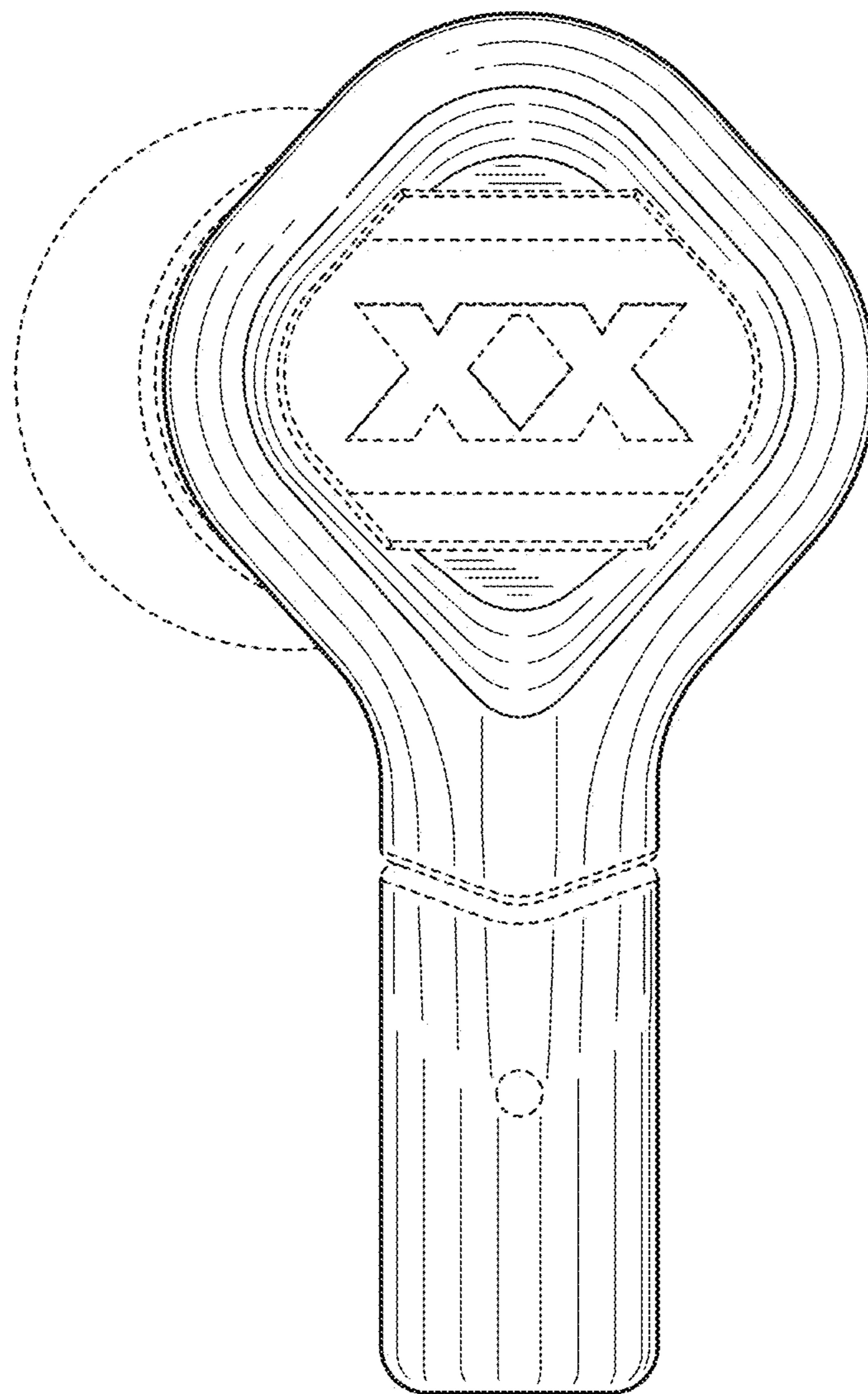


FIG. 3

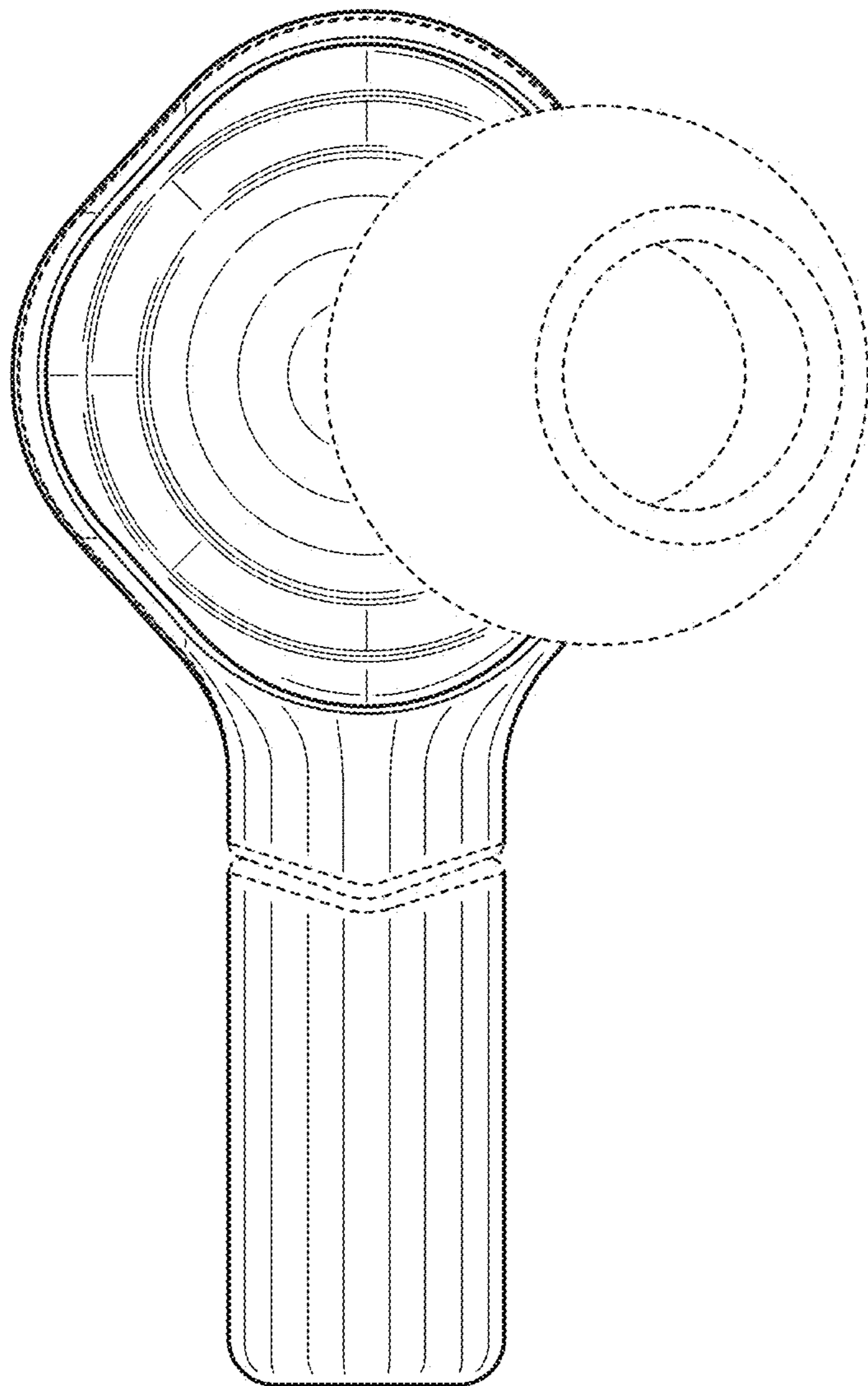


FIG. 4

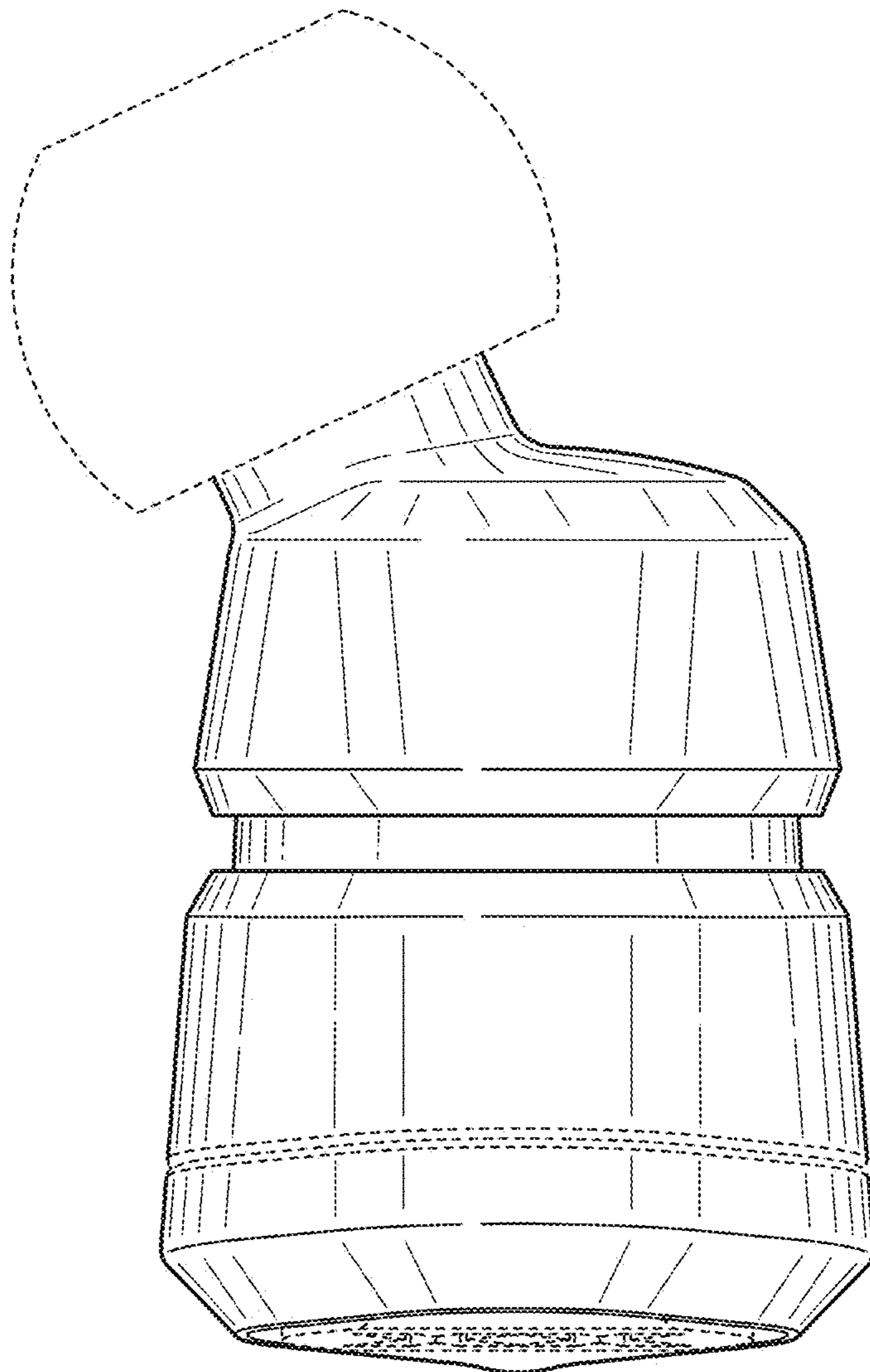


FIG. 5

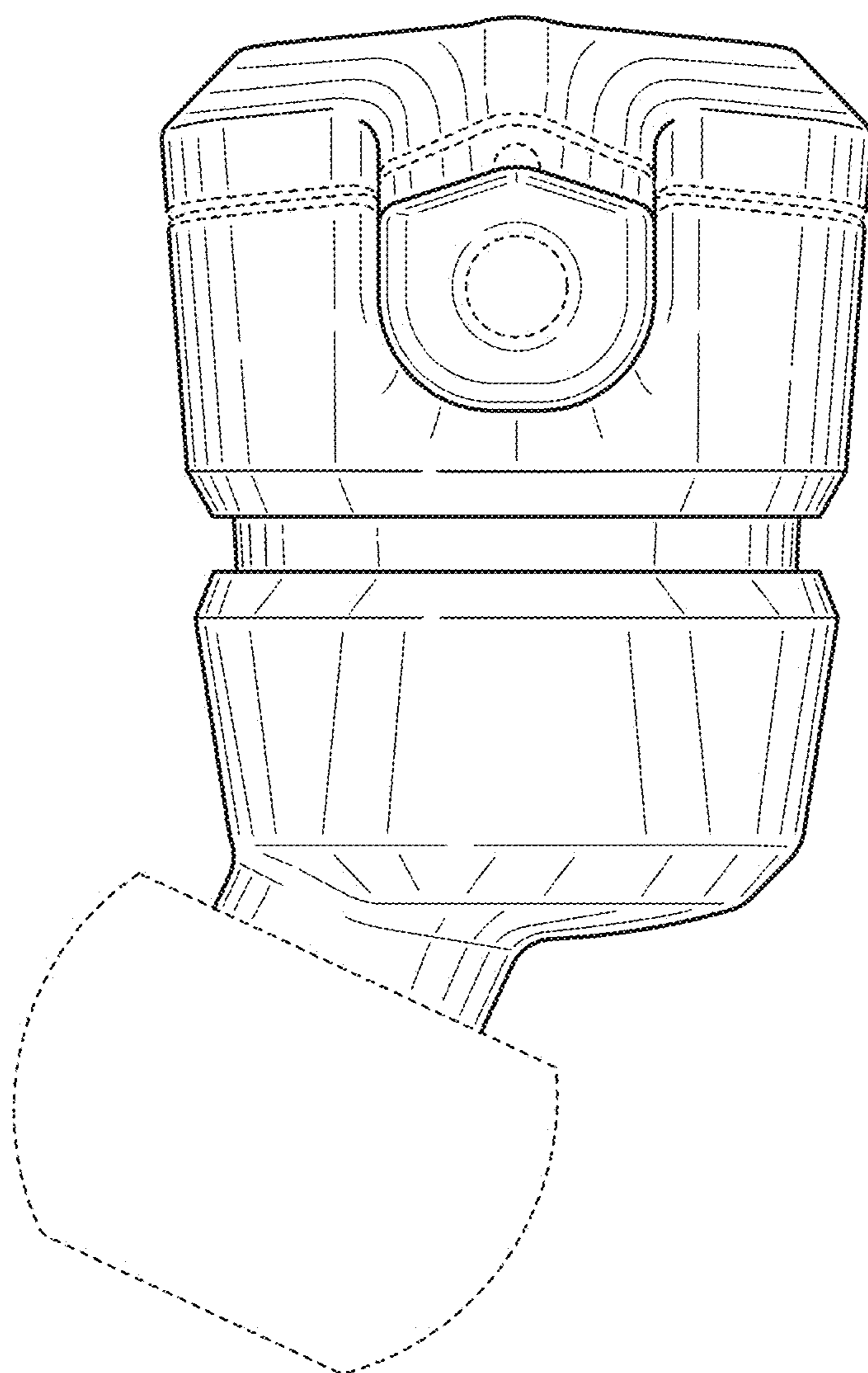


FIG. 6

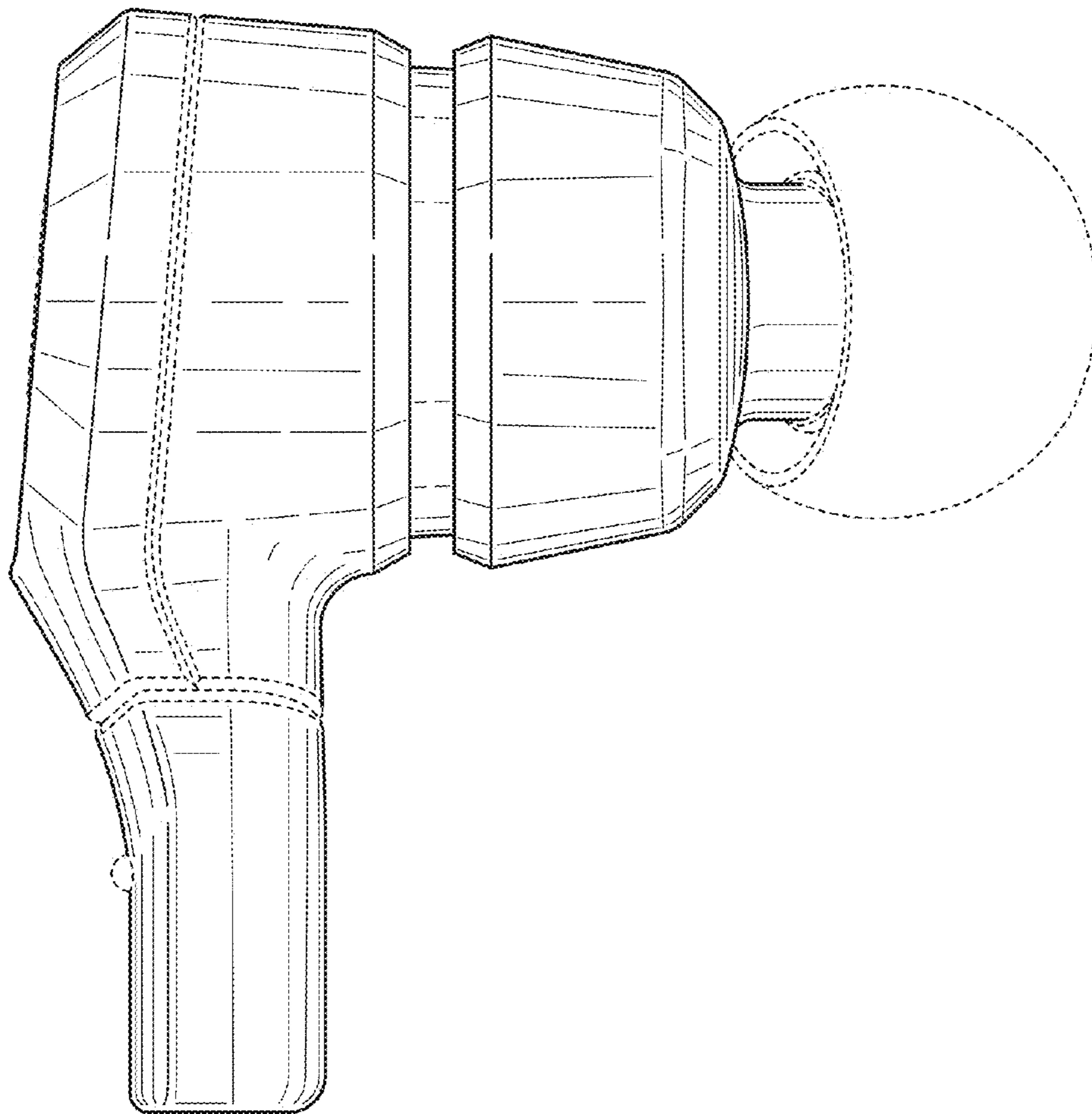


FIG. 7

