



US00D753632S

(12) **United States Design Patent**
Fields et al.

(10) **Patent No.:** **US D753,632 S**
(45) **Date of Patent:** **** Apr. 12, 2016**

(54) **PROTECTIVE COVER FOR AUDIO LISTENING SYSTEM**

(71) Applicant: **Apple Inc.**, Cupertino, CA (US)

(72) Inventors: **Eric Fields**, San Francisco, CA (US);
Robert Brunner, San Francisco, CA (US); **Xuan Shu**, San Francisco, CA (US)

(73) Assignee: **Apple Inc.**, Cupertino, CA (US)

(**) Term: **14 Years**

(21) Appl. No.: **29/503,666**

(22) Filed: **Sep. 29, 2014**

(51) **LOC (10) Cl.** **14-03**

(52) **U.S. Cl.**
USPC **D14/217**

(58) **Field of Classification Search**
USPC D14/167, 168, 170–172, 188, 194–196,
D14/204, 207, 210–217, 219, 221, 22, 224,
D14/496

CPC H04R 1/02; H04R 2201/021; H04R 1/025;
H04R 1/403; H04R 1/026; H04R 2499/13;
H04R 1/24; H04R 1/26; H04R 1/2888;
H04R 27/00; H04R 1/021; H04R 1/2803;
H04R 1/288; H04R 1/30; H04R 1/345;
H04R 1/023; H04R 1/028; H04R 5/02;
H04R 2420/07; H04R 2499/15; H04R 3/12;
H04R 2499/11; H04R 5/04; H04R 1/101
See application file for complete search history.

(56) **References Cited**

U.S. PATENT DOCUMENTS

D566,730 S 4/2008 Lee
D573,579 S * 7/2008 Yamaguchi D14/500
D687,016 S * 7/2013 Brunner et al. D14/216

D706,747 S * 6/2014 Yoshimura D14/209.1
D709,861 S * 7/2014 Brunner et al. D14/216
D726,155 S * 4/2015 Cheng et al. D14/216
D734,741 S * 7/2015 Brunner et al. D14/216

* cited by examiner

Primary Examiner — Daniel Bui

Assistant Examiner — Khawaja Anwar

(74) *Attorney, Agent, or Firm* — Sterne, Kessler, Goldstein & Fox P.L.L.C.

(57) **CLAIM**

The ornamental design for a protective cover for audio listening system, as shown and described.

DESCRIPTION

FIG. 1 is a top perspective view of a protective cover for audio listening system showing our new design;

FIG. 2 is a front view thereof;

FIG. 3 is a rear view thereof;

FIG. 4 is a right side view thereof;

FIG. 5 is a left side view thereof;

FIG. 6 is a top view thereof;

FIG. 7 is a bottom view thereof;

FIG. 8 is a top perspective view of a second embodiment of a protective cover for audio listening system showing our new design;

FIG. 9 is a front view thereof;

FIG. 10 is a rear view thereof;

FIG. 11 is a right side view thereof;

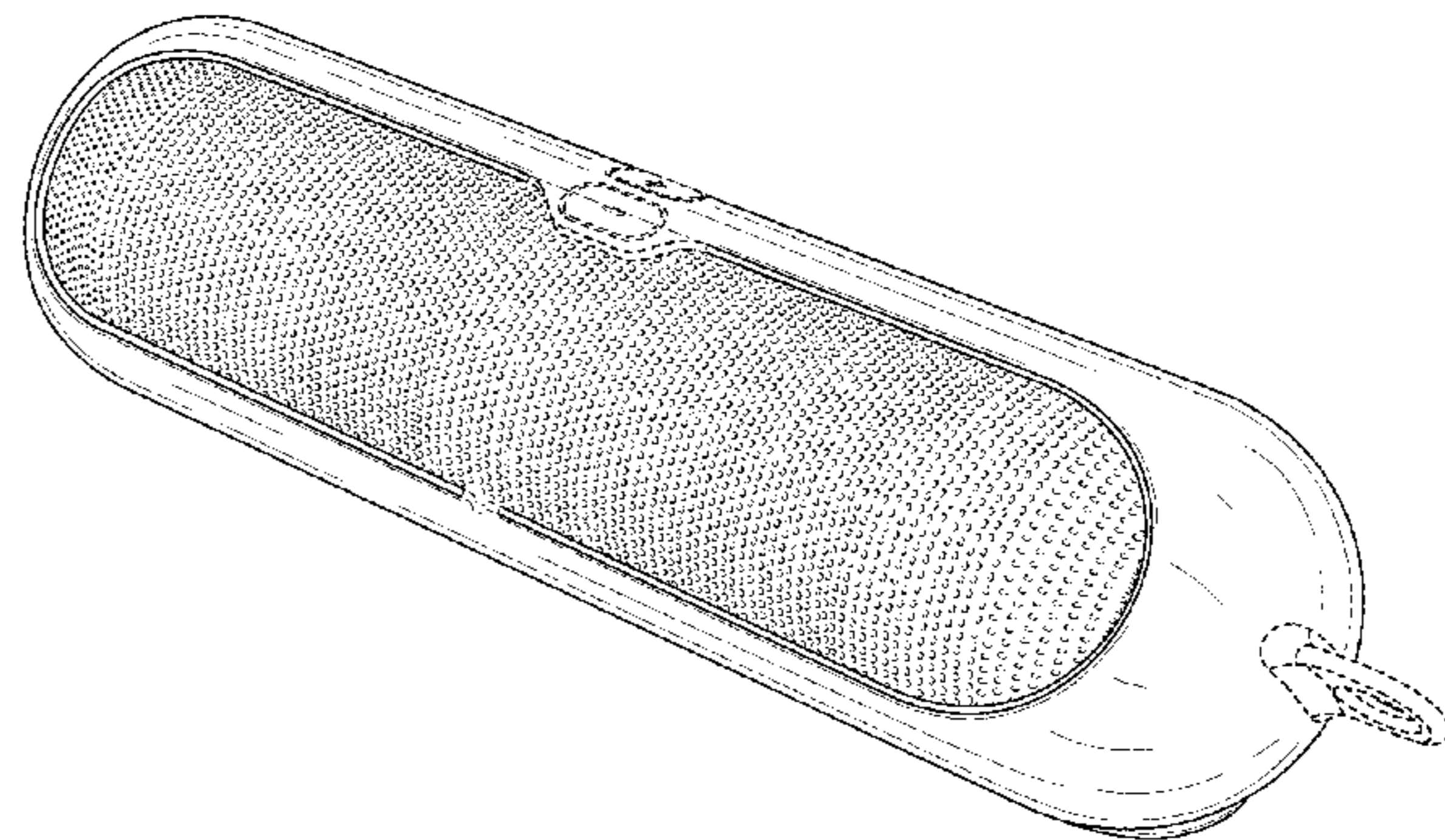
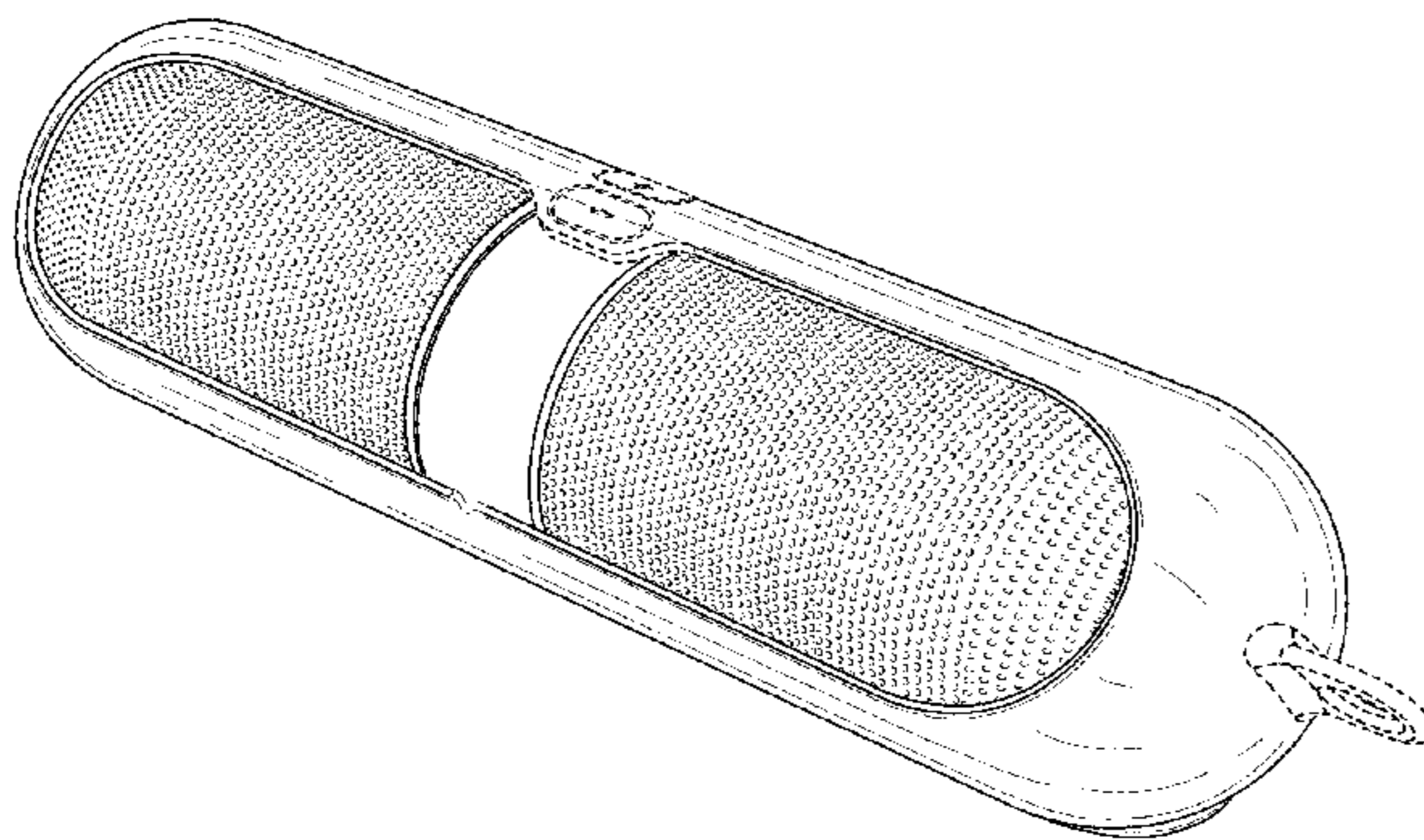
FIG. 12 is a left side view thereof;

FIG. 13 is a top view thereof; and,

FIG. 14 is a bottom view thereof.

The dashed broken lines in the figures show portions of the protective cover for audio listening system or environment that form no part of the claimed design. The dot-dash broken lines in the figures show boundaries that form no part of the claimed design.

1 Claim, 8 Drawing Sheets



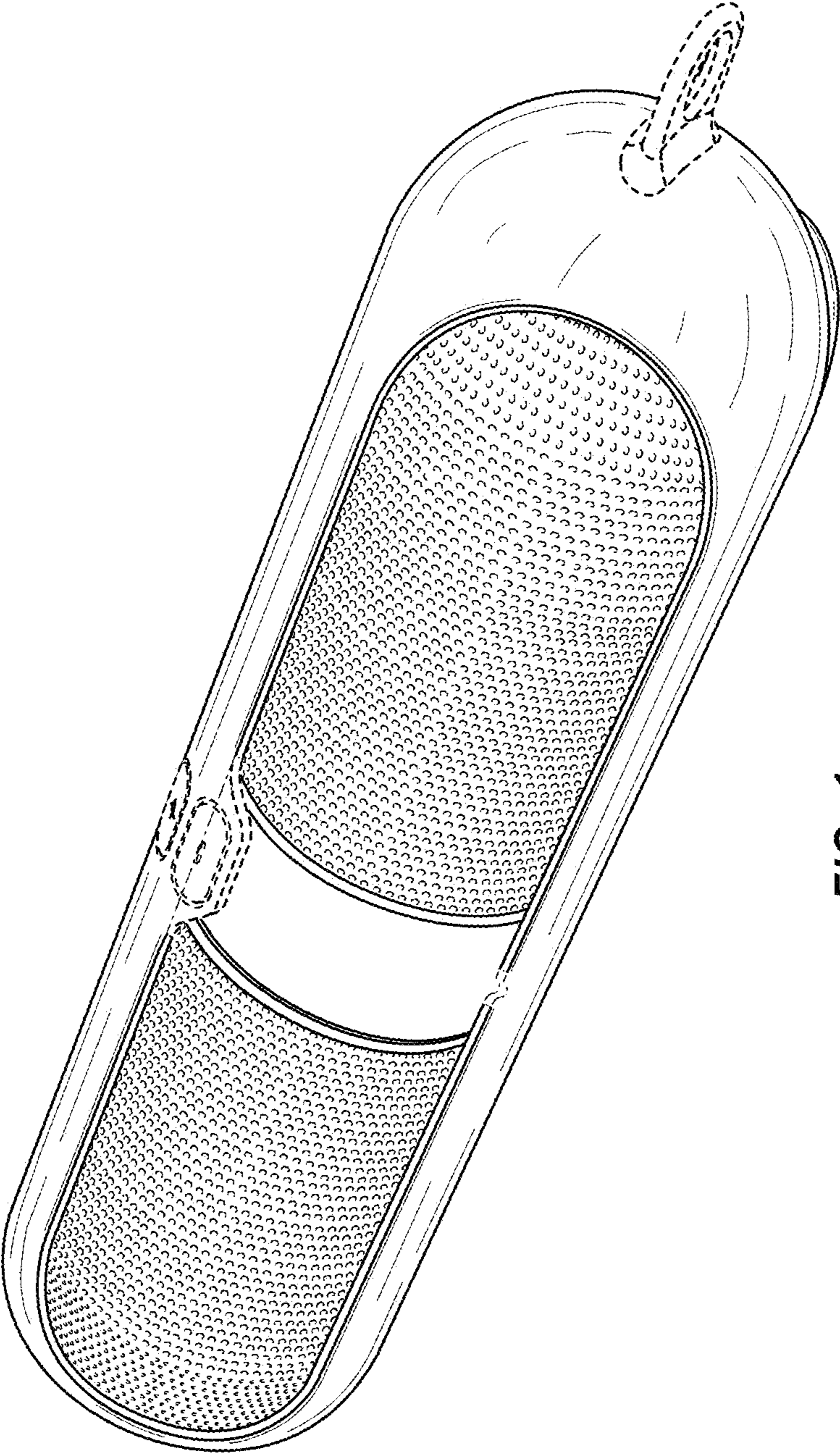


FIG. 1

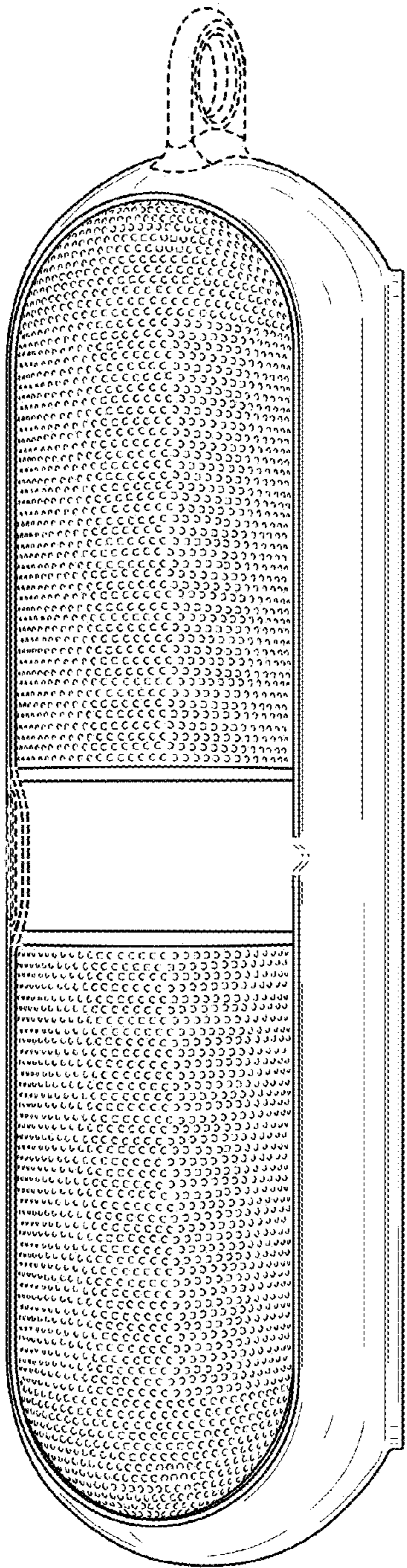


FIG. 2

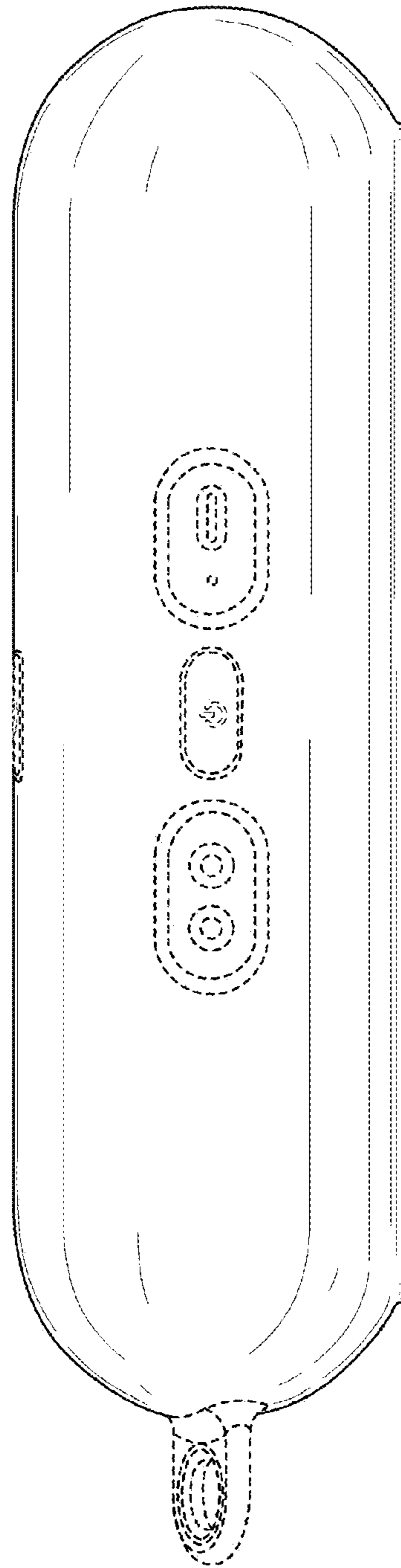


FIG. 3

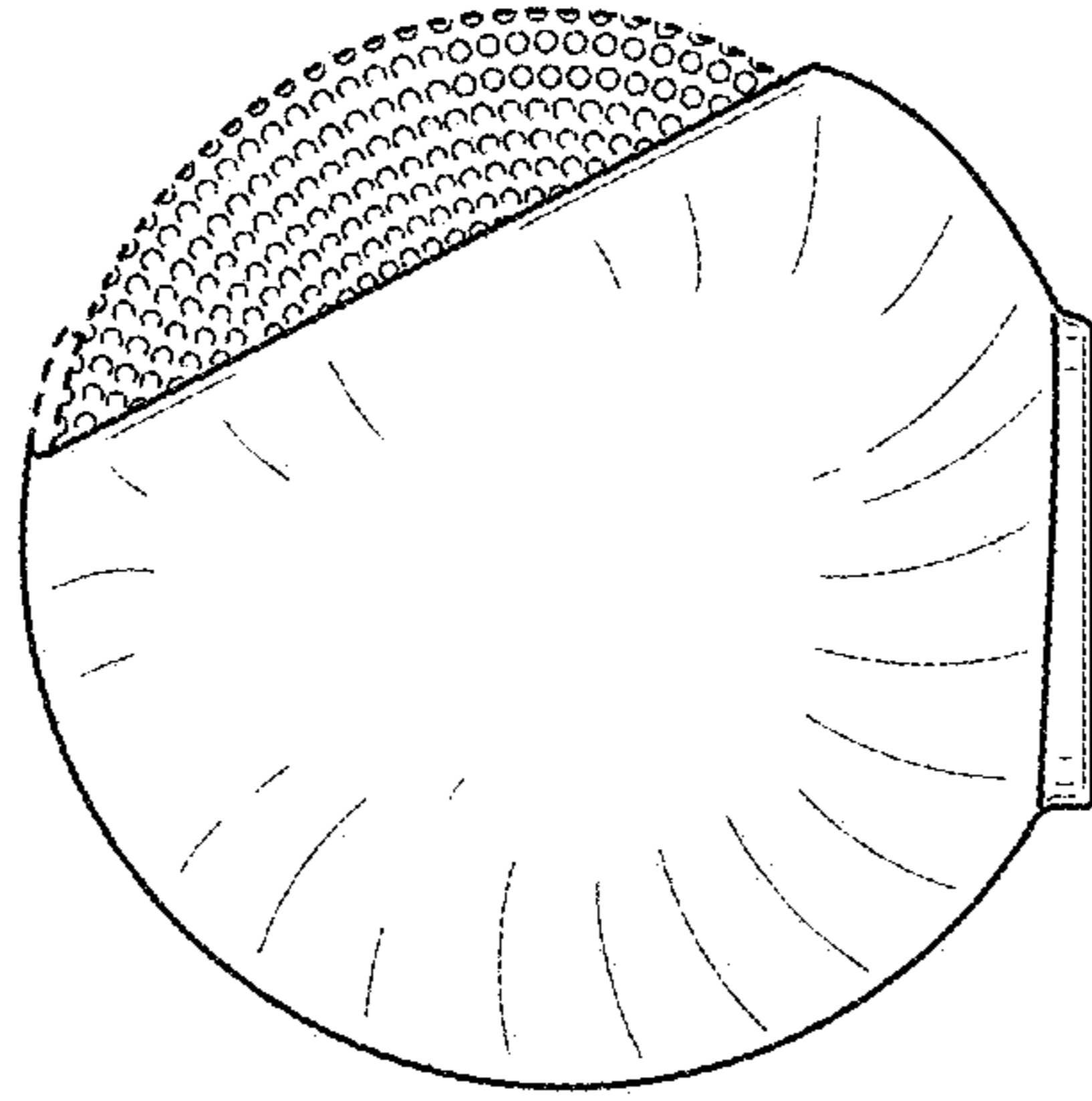


FIG. 5

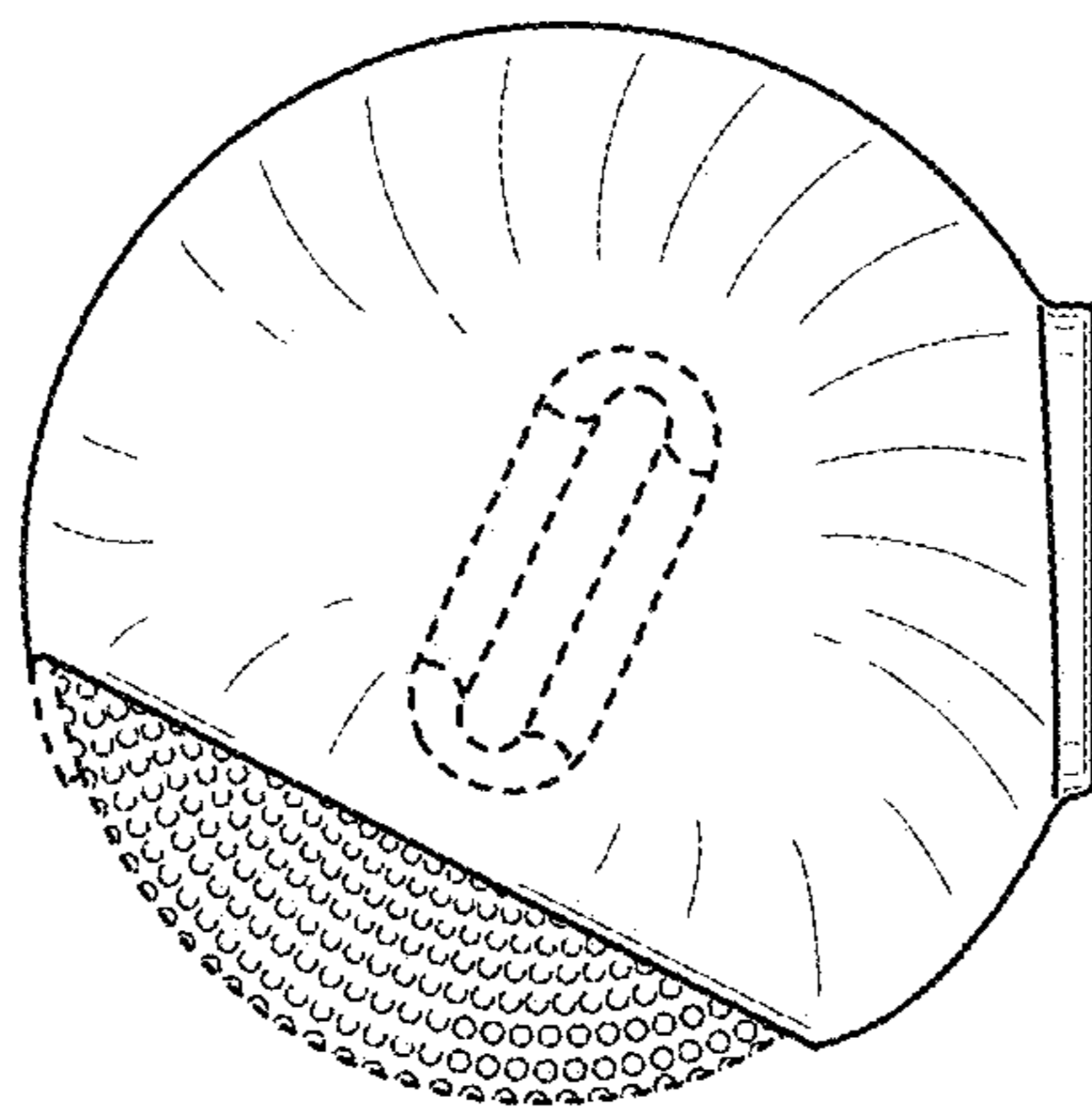


FIG. 4

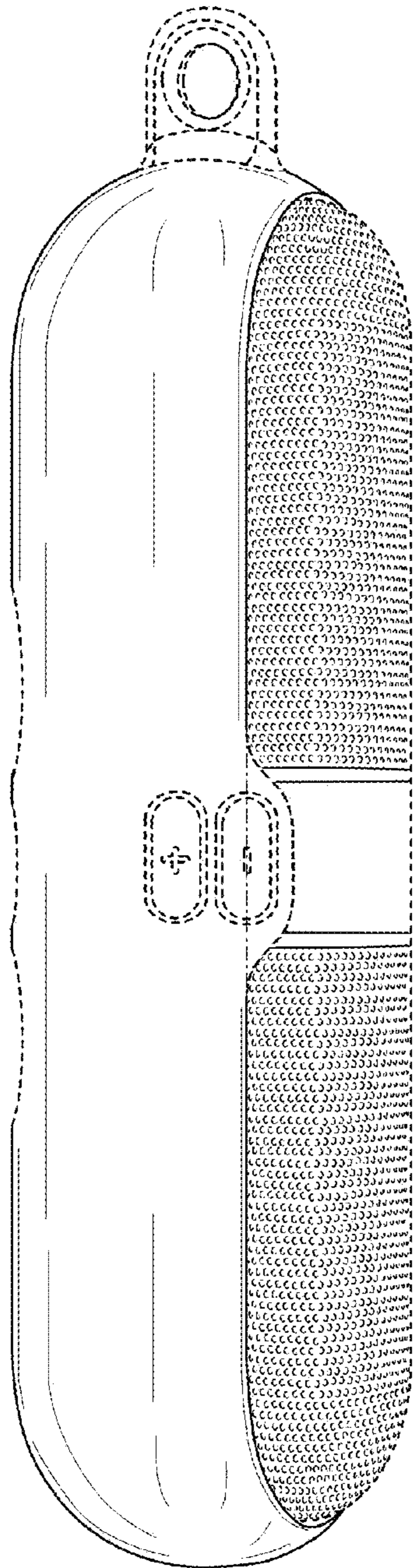


FIG. 6

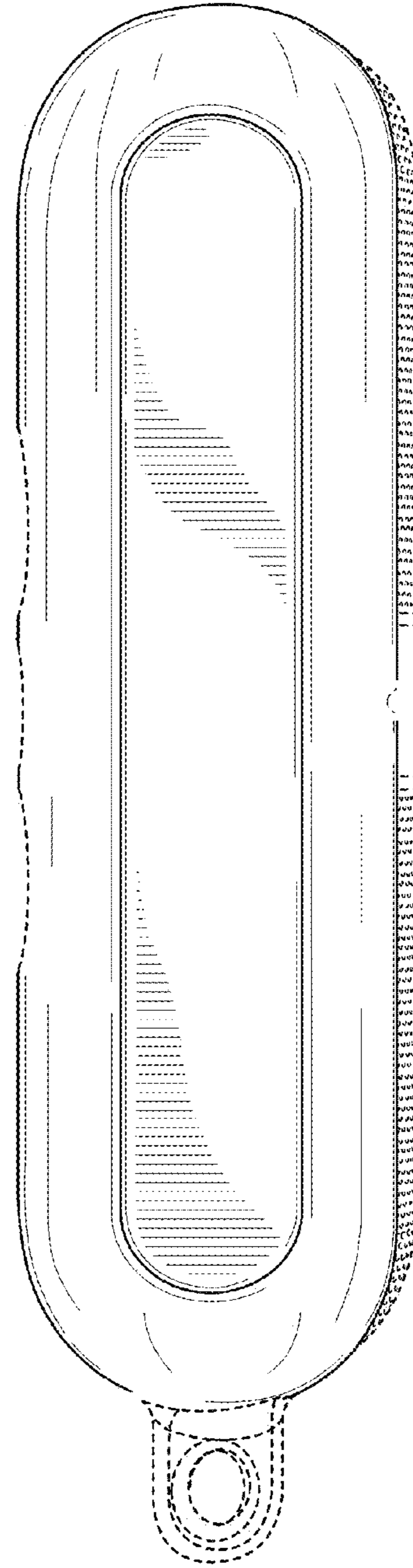


FIG. 7

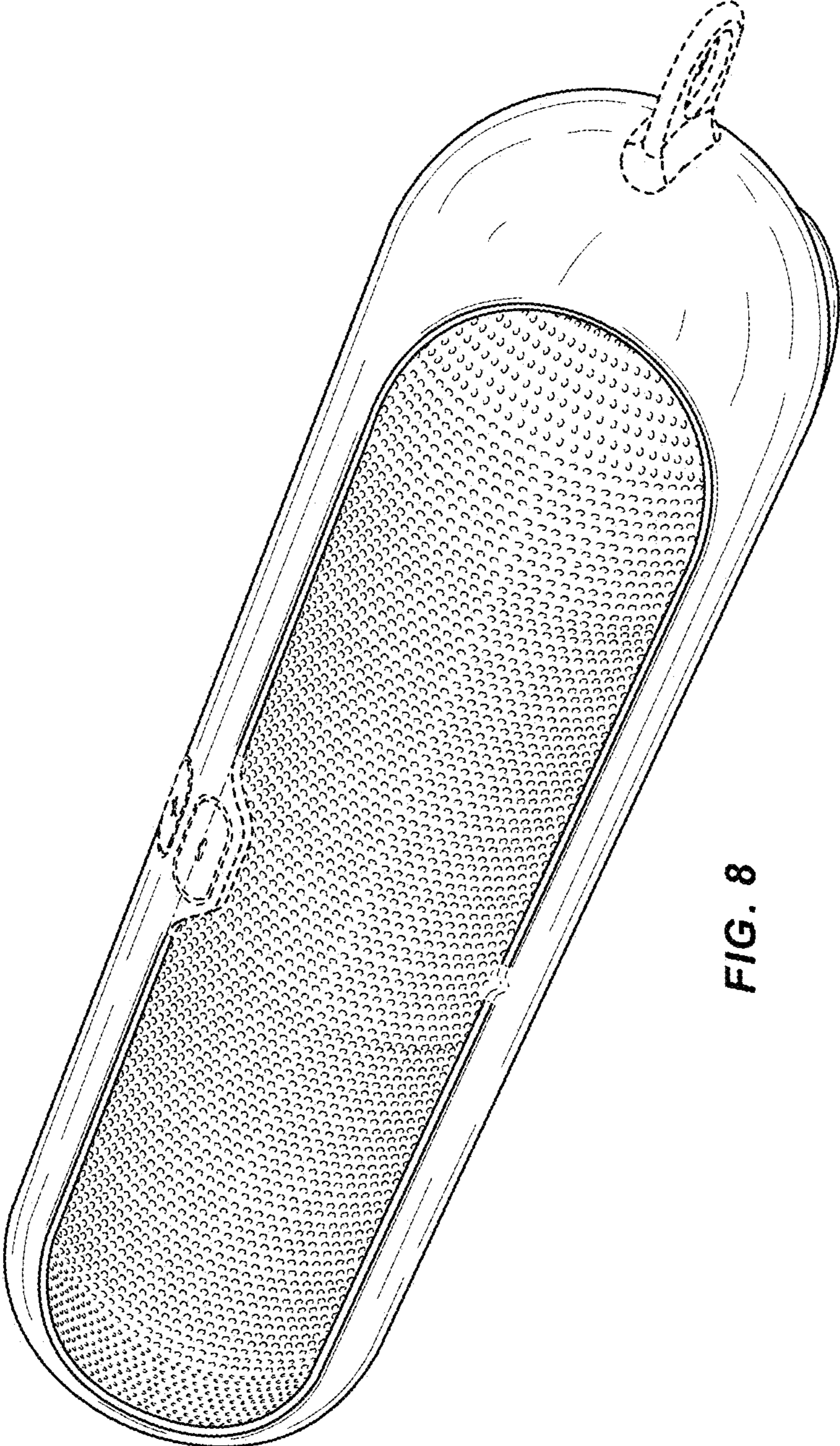


FIG. 8

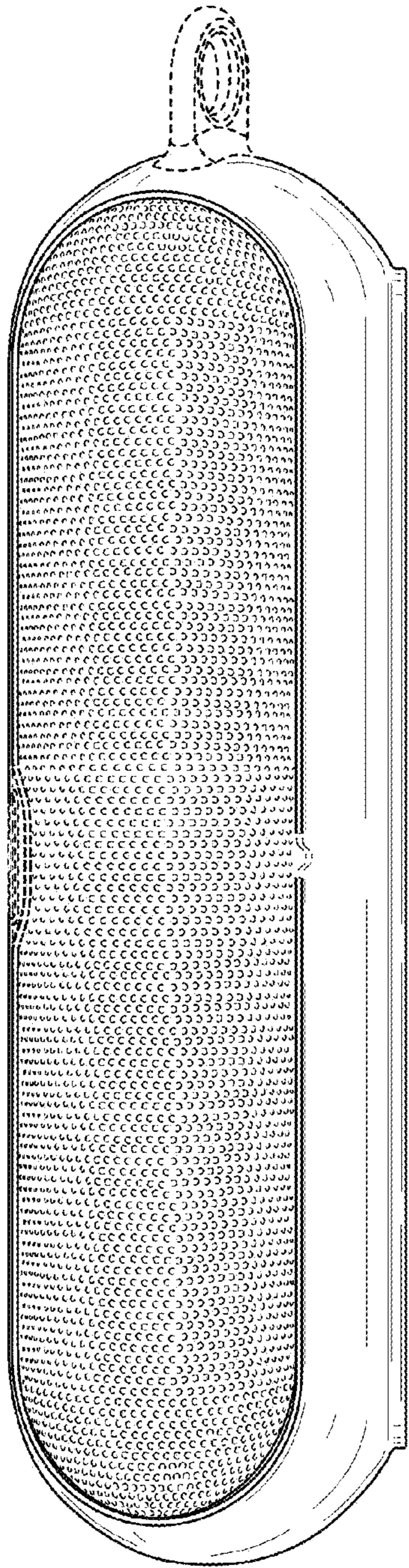


FIG. 9

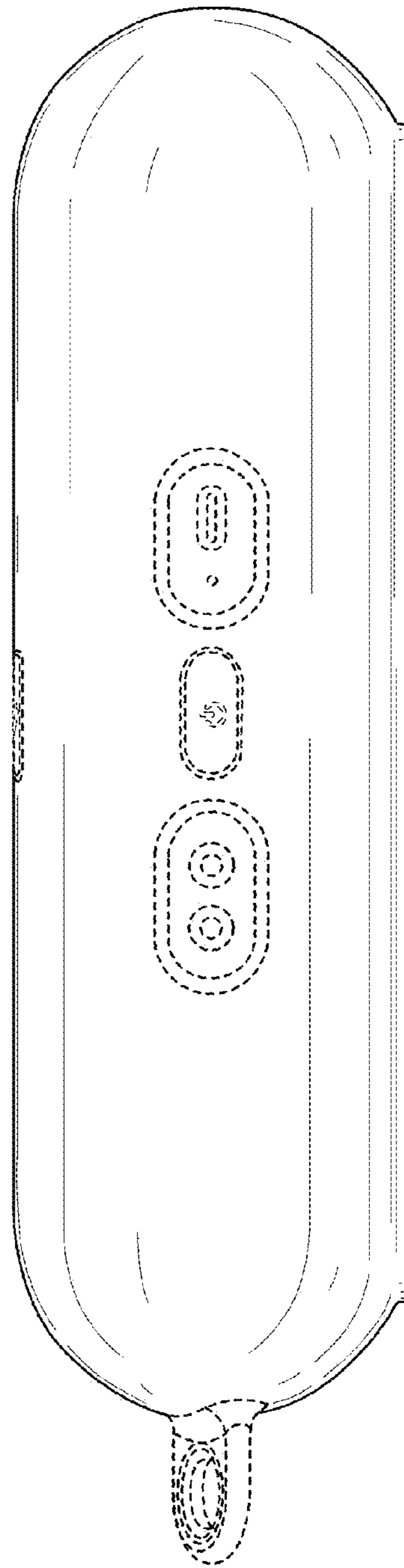


FIG. 10

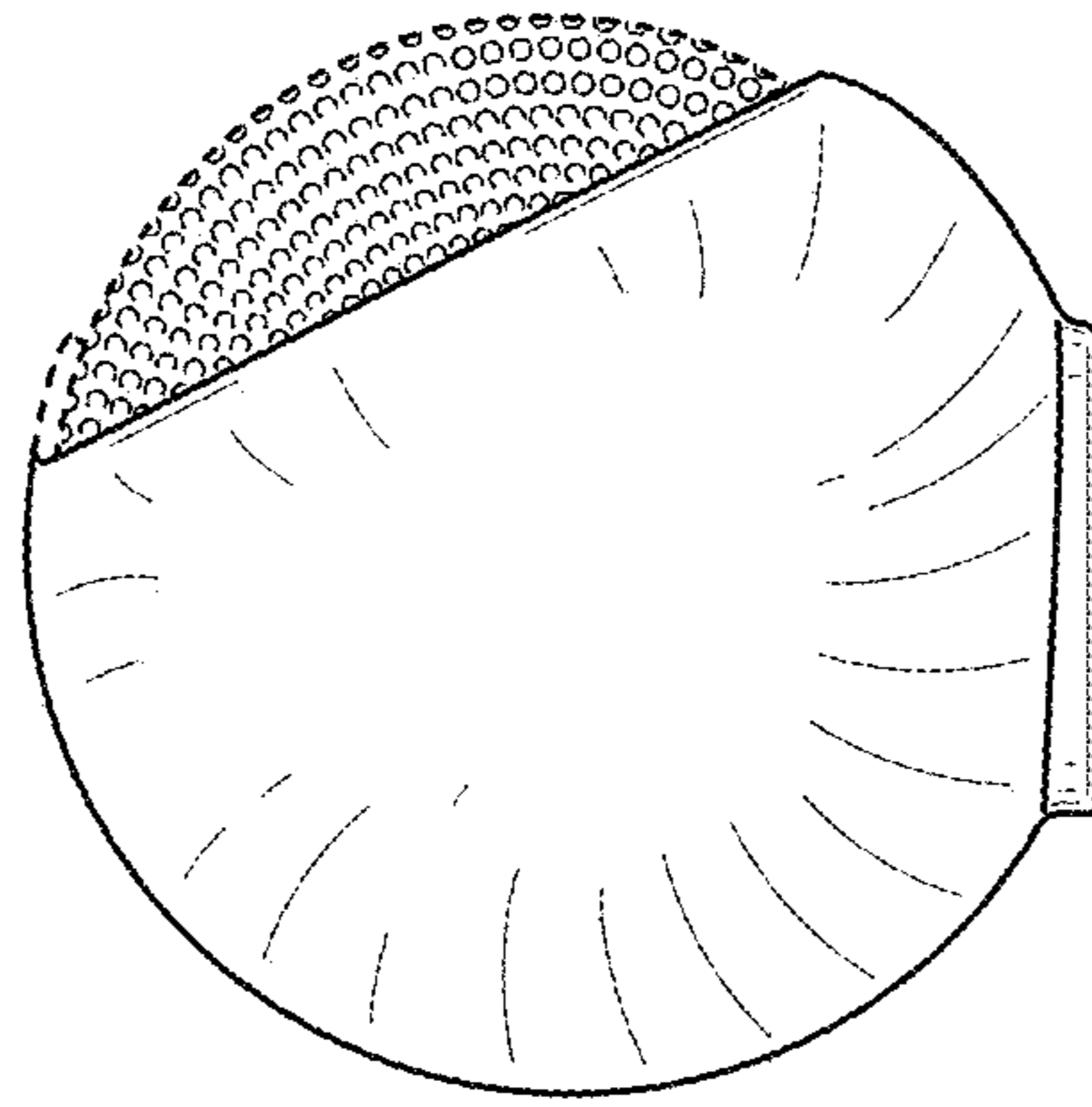


FIG. 12

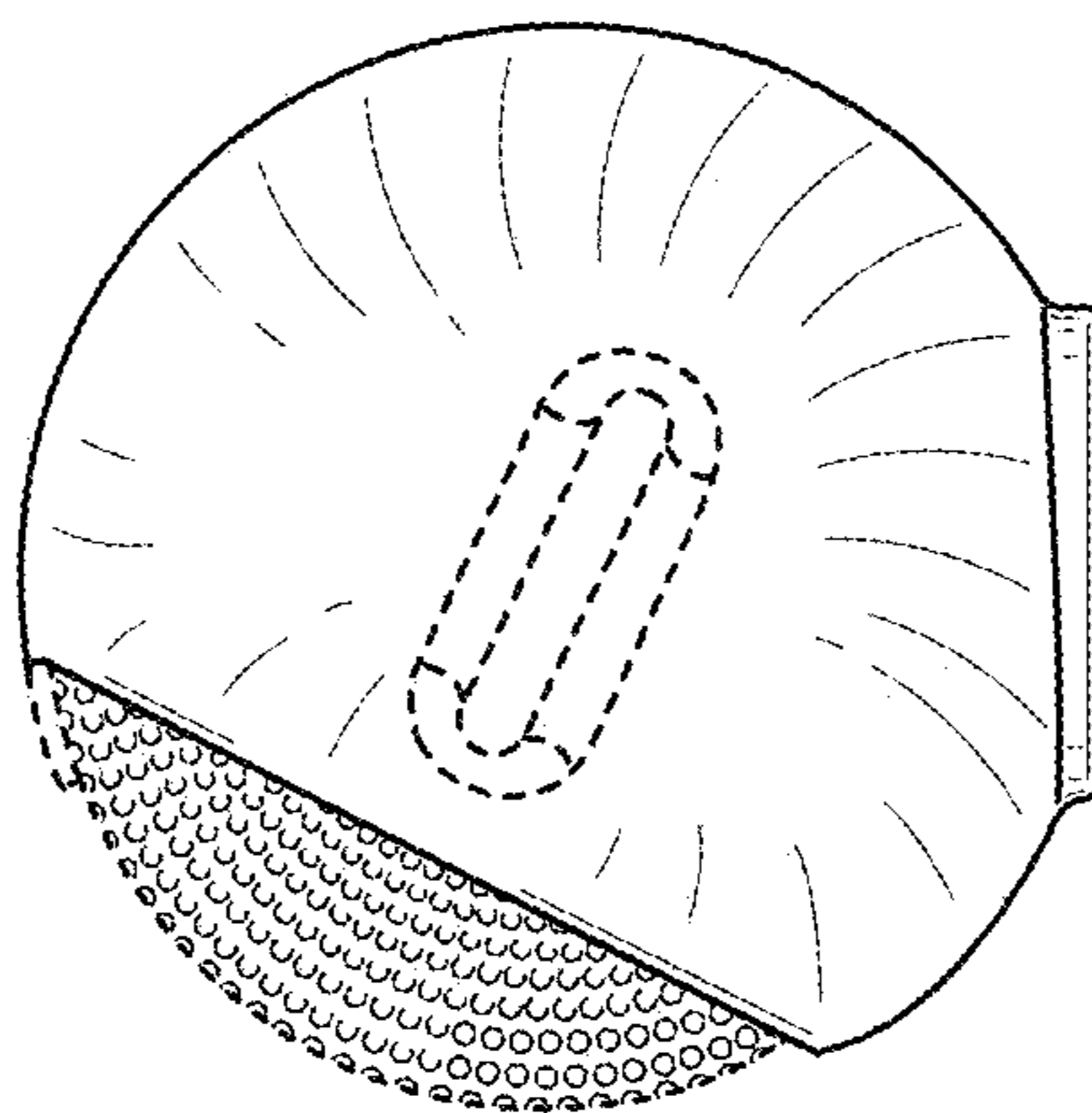


FIG. 11

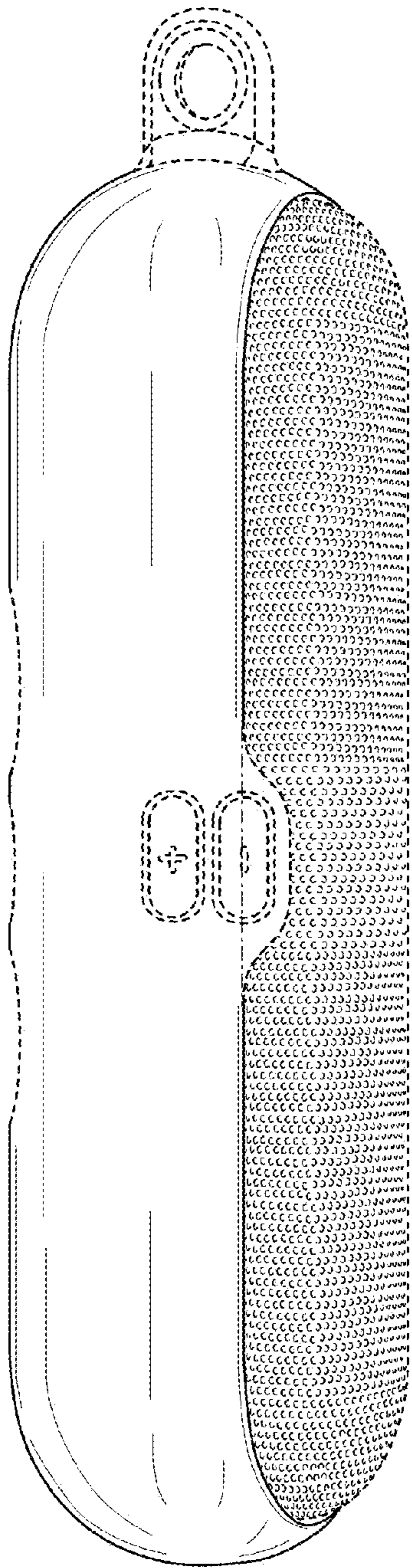


FIG. 13

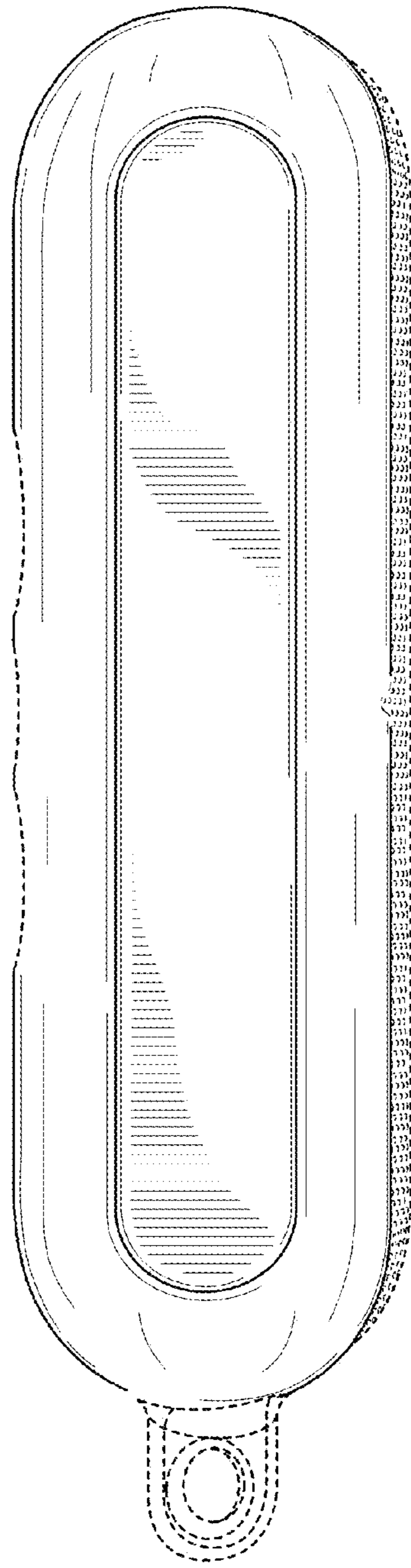


FIG. 14