



US00D753627S

(12) **United States Design Patent**
Kim et al.

(10) **Patent No.:** **US D753,627 S**
(45) **Date of Patent:** **** Apr. 12, 2016**

(54) **SPEAKER**

2201/021; H04R 2400/00; H04R 2400/07;
H04R 2499/11; H04R 2499/13; H04R 2499/15
See application file for complete search history.

(71) Applicant: **Samsung Electronics Co., Ltd.**,
Suwon-si (KR)

(56) **References Cited**

(72) Inventors: **Jigwang Kim**, Seoul (KR); **Hansol Kwon**, Gwangmyeong-si (KR)

U.S. PATENT DOCUMENTS

(73) Assignee: **Samsung Electronics Co., Ltd.**,
Suwon-si (KR)

D176,024	S	*	11/1955	Klien	D14/196
D598,005	S	*	8/2009	Amano	D14/209.1
D613,391	S	*	4/2010	Schwartz	D23/366
D715,260	S	*	10/2014	Kim	D14/213
D725,639	S	*	3/2015	Kim	D14/239
D728,495	S	*	5/2015	McManigal	D14/125

(**) Term: **14 Years**

* cited by examiner

(21) Appl. No.: **29/477,476**

Primary Examiner — Keli L Hill

(22) Filed: **Dec. 23, 2013**

(74) *Attorney, Agent, or Firm* — NSIP Law

(30) **Foreign Application Priority Data**

(57) **CLAIM**

Jun. 27, 2013 (KR) 30-2013-0033118

The ornamental design for a speaker, as shown and described.

(51) **LOC (10) CL.** **14-03**

DESCRIPTION

(52) **U.S. Cl.**

USPC **D14/214**

(58) **Field of Classification Search**

USPC D14/167, 168, 170–172, 188, 194–196,
D14/204, 207, 209.1, 210–216, 219, 221,
D14/222, 224, 496; 181/143, 144, 147, 148,
181/150, 153, 157, 198, 199; 381/300–303,
381/306, 332, 333, 336, 345, 361–364,
381/386–388; 369/6–12

CPC B60R 11/0217; G06F 1/1688; G10K 9/22;
G10K 11/004; H03F 1/327; H04M 1/03;
H04M 1/035; H04N 5/642; H04N 21/4852;
H04R 1/02; H04R 1/06; H04R 1/021; H04R
1/025; H04R 1/026; H04R 1/028; H04R
1/105; H04R 1/323; H04R 1/403; H04R
1/2803; H04R 1/2834; H04R 5/02; H04R
7/20; H04R 9/06; H04R 9/025; H04R

FIG. 1 is a front perspective view of a speaker showing our new design;

FIG. 2 is a front view thereof;

FIG. 3 is a rear view thereof;

FIG. 4 is a left-side view thereof;

FIG. 5 is a right-side view thereof;

FIG. 6 is a top view thereof;

FIG. 7 is a bottom view thereof; and,

FIG. 8 is a cross-sectional view of the dot-dot-dash encircled portion in FIG. 2.

The dot-dot-dash broken lines encircling a portion of the claimed design shown in FIG. 2 that is illustrated in a cross-sectional view form no part of the claimed design. The short dash-dash broken line shown in FIG. 8 represents environmental structure only and forms no part of the claimed design.

1 Claim, 8 Drawing Sheets

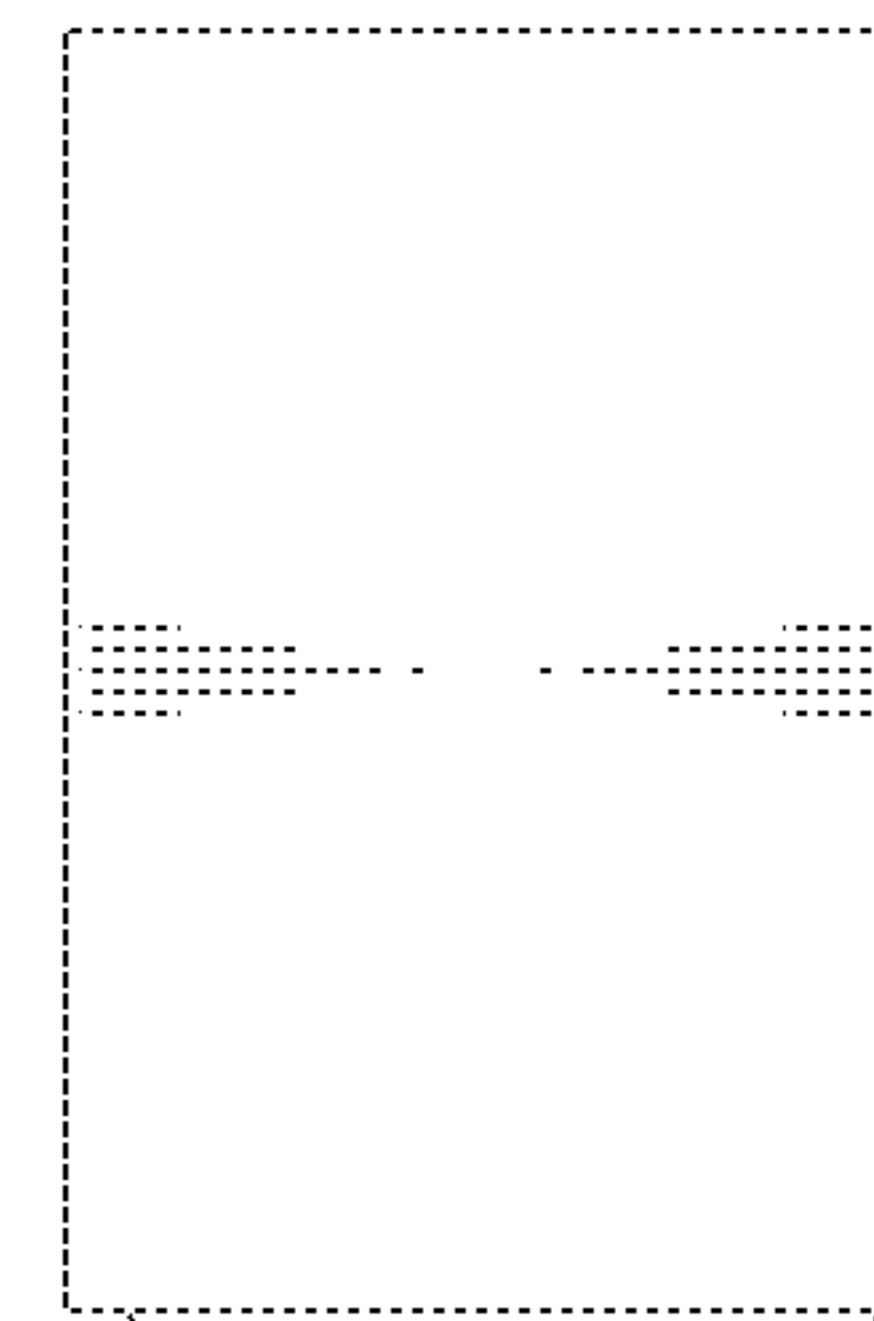
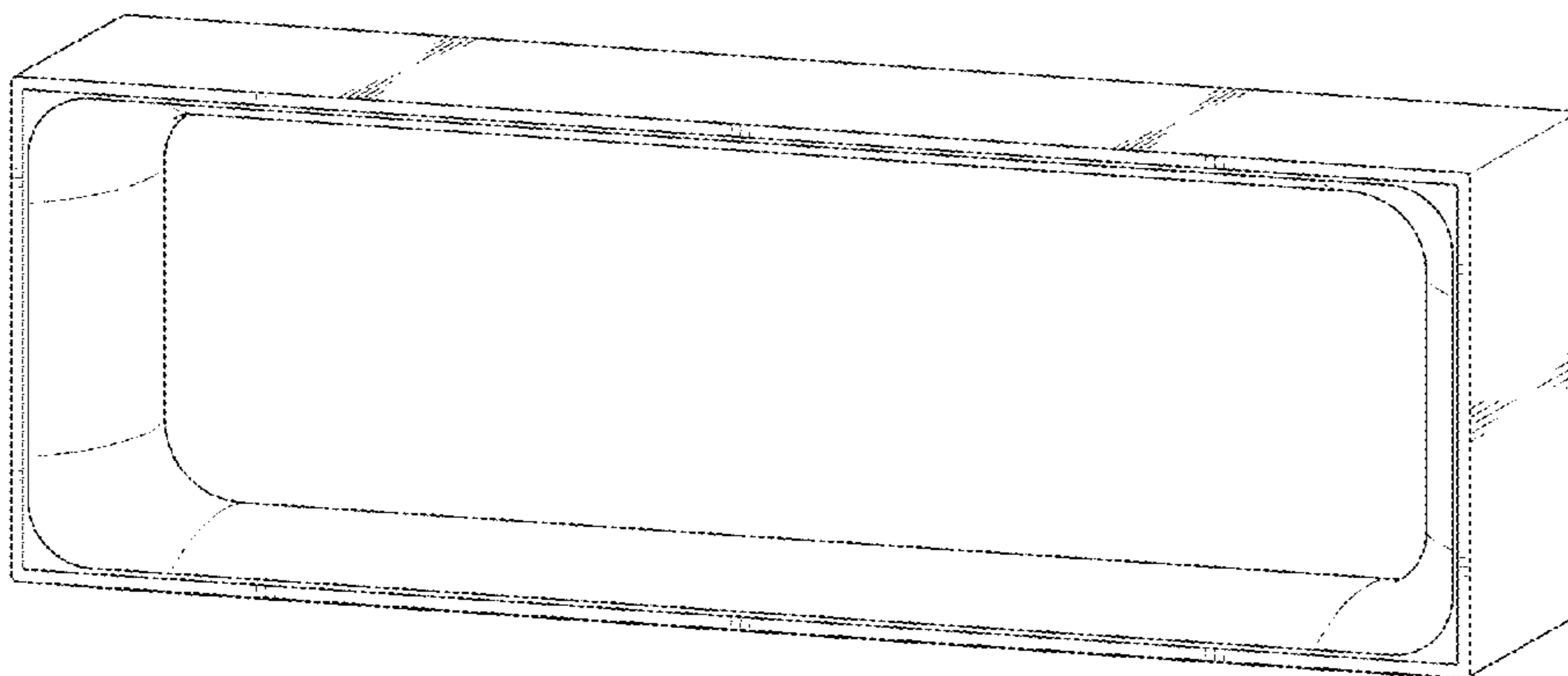


FIG. 1

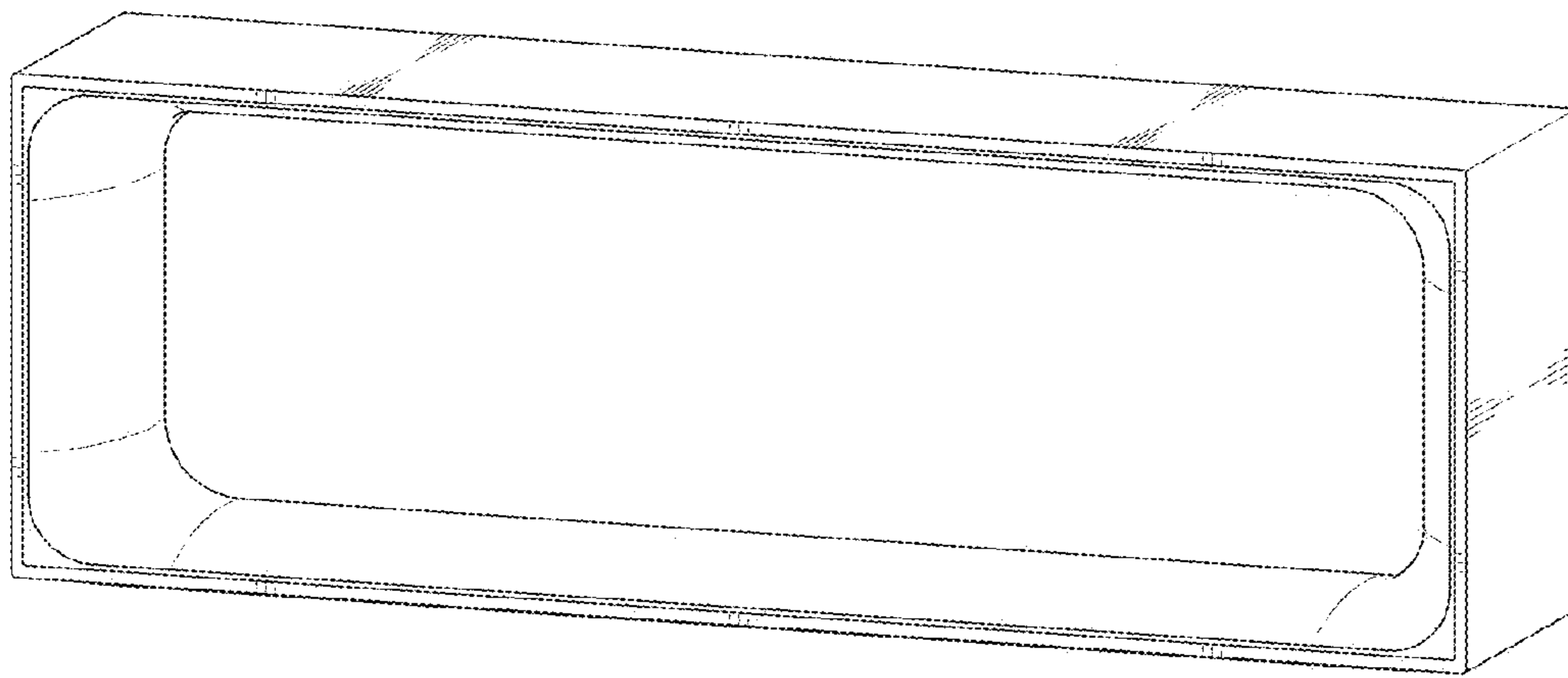


FIG. 2

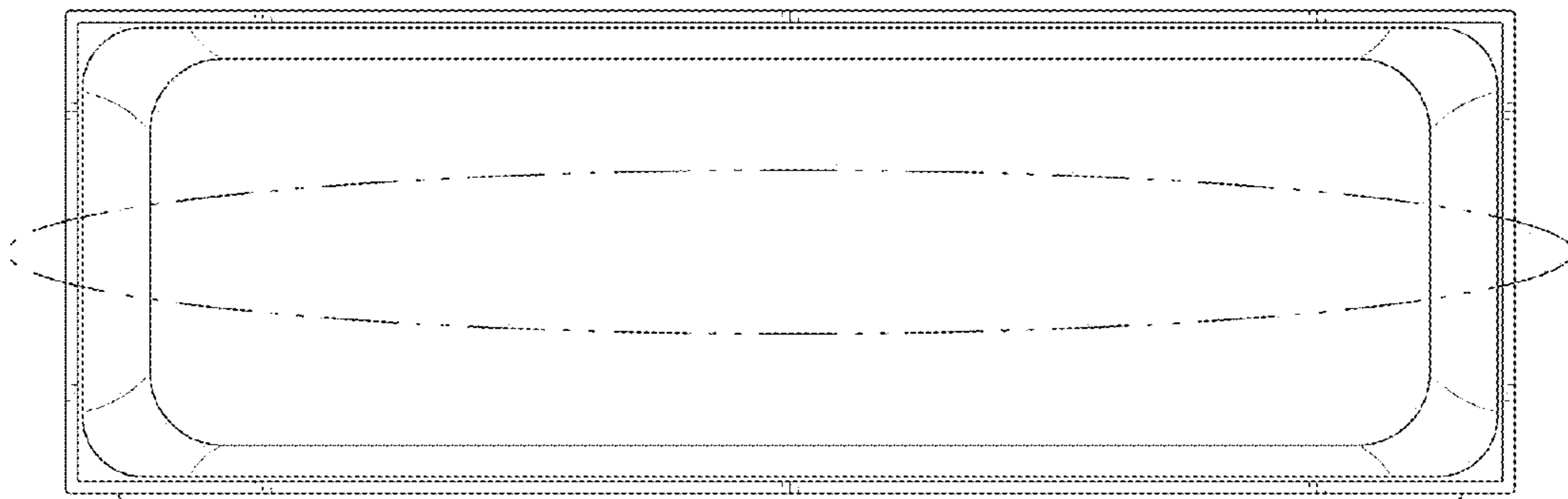


FIG. 3

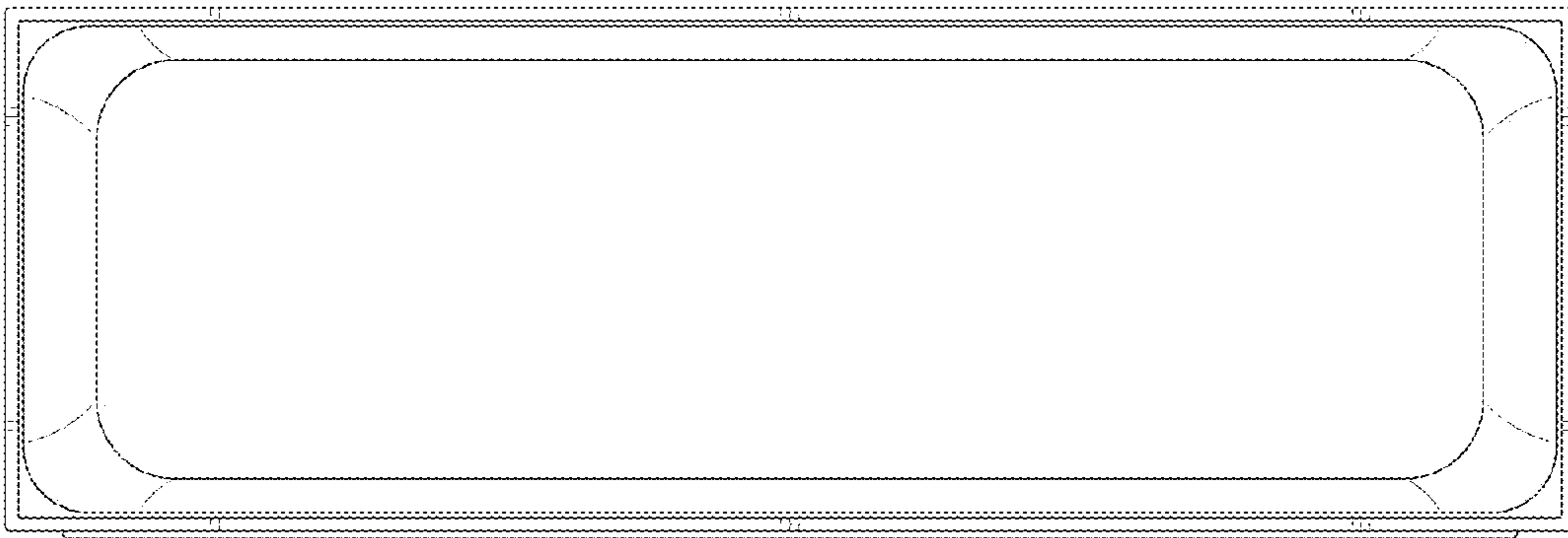


FIG. 4

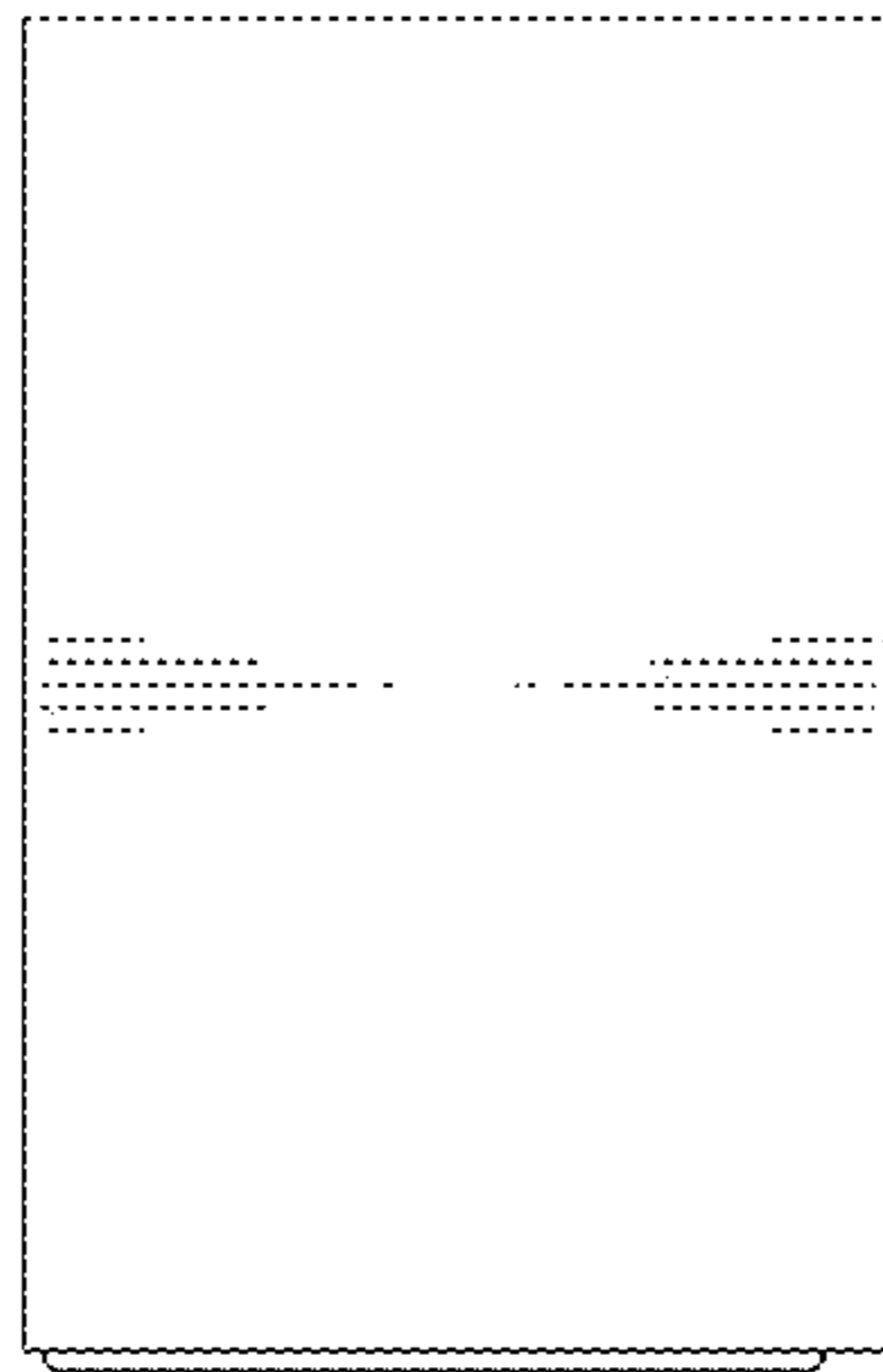


FIG. 5

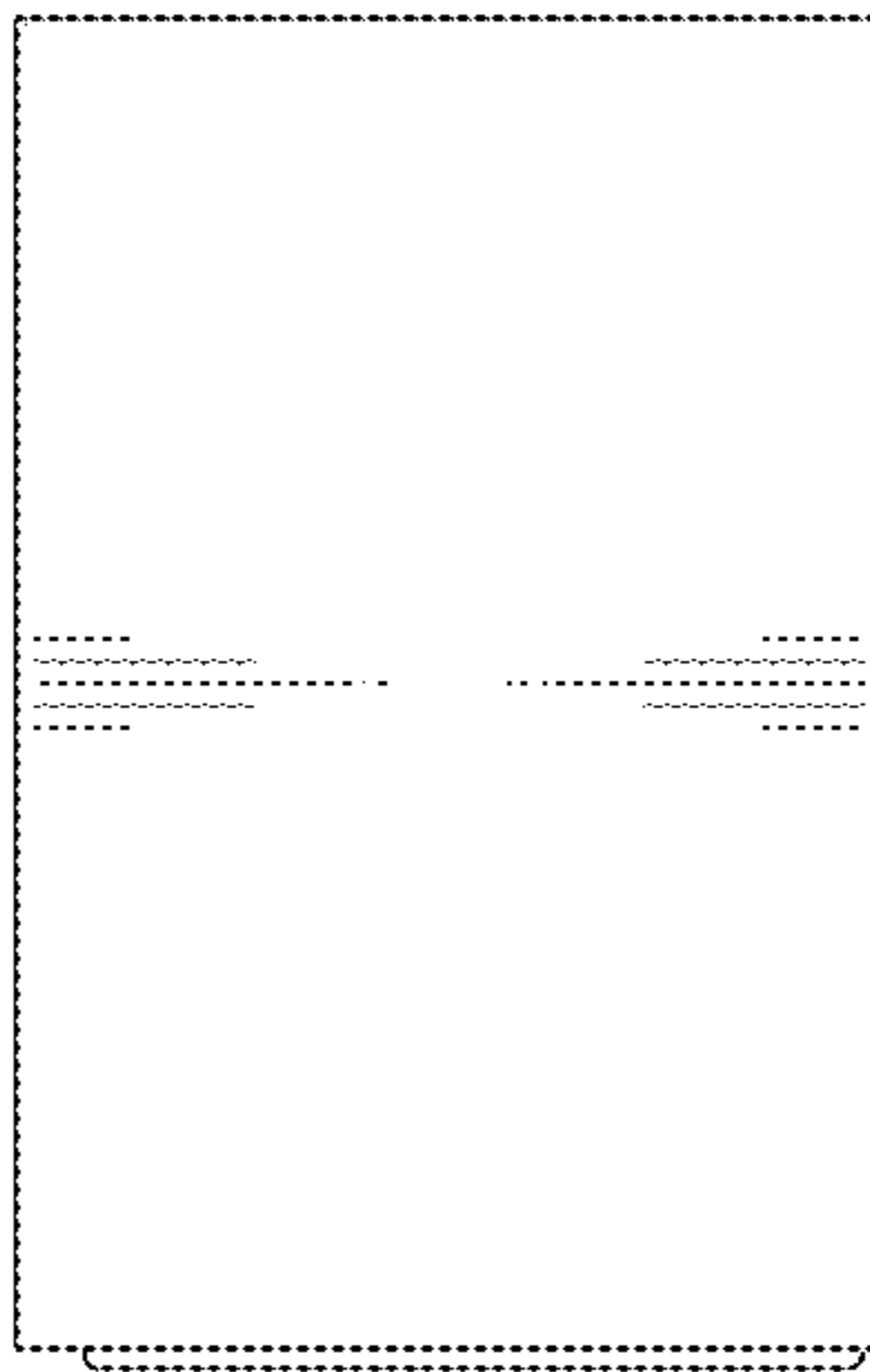


FIG. 6

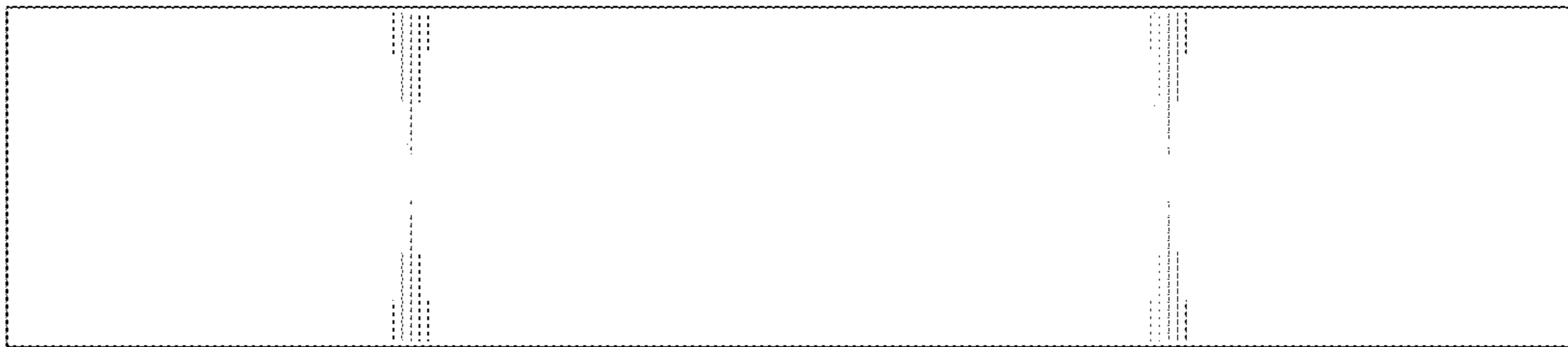


FIG. 7

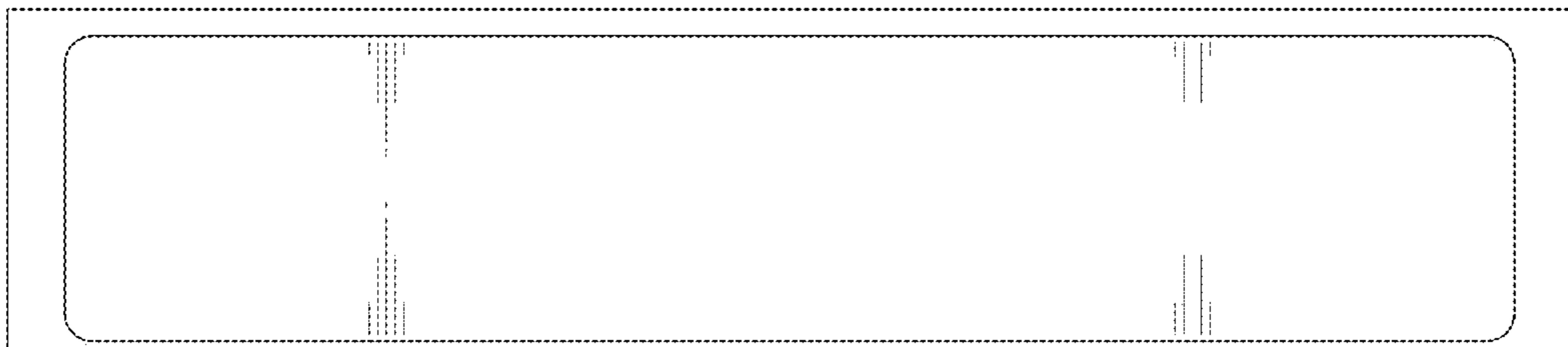


FIG. 8

