



US00D753626S

(12) **United States Design Patent**  
**Tran**

(10) **Patent No.:** **US D753,626 S**  
(45) **Date of Patent:** **\*\* Apr. 12, 2016**

(54) **EARPIECE AUDIO DEVICE**  
(71) Applicant: **MOTOROLA SOLUTIONS, INC.**,  
Schaumburg, IL (US)  
(72) Inventor: **Chi T. Tran**, Weston, FL (US)  
(73) Assignee: **MOTOROLA SOLUTIONS, INC.**,  
Schaumburg, IL (US)  
(\*\*) Term: **14 Years**  
(21) Appl. No.: **29/517,012**  
(22) Filed: **Feb. 9, 2015**

4,977,975 A \* 12/1990 Lazzeroni ..... A42B 3/166  
181/129  
5,210,792 A \* 5/1993 Kajihara ..... H04M 1/05  
379/430  
D348,067 S \* 6/1994 Lucey ..... D14/223  
5,412,736 A \* 5/1995 Keliiliki ..... H04R 1/105  
381/330  
D375,313 S \* 11/1996 Jensen ..... D14/206  
D375,959 S \* 11/1996 Davis ..... D14/206  
5,625,171 A \* 4/1997 Marshall ..... H04R 1/1058  
181/130  
D383,757 S \* 9/1997 Dobrusskin ..... D14/223

(Continued)

Primary Examiner — Paula Greene

**Related U.S. Application Data**

(62) Division of application No. 29/482,622, filed on Feb.  
20, 2014, now Pat. No. Des. 726,147.  
(51) **LOC (10) Cl.** ..... **14-01**  
(52) **U.S. Cl.**  
USPC ..... **D14/205; D14/206**  
(58) **Field of Classification Search**  
USPC ..... D14/223, 206, 205; 181/129, 130, 135;  
379/430, 431; 381/380, 381; 455/90.3,  
455/575.1  
CPC ..... H04R 1/10  
See application file for complete search history.

(57) **CLAIM**

The ornamental design for an earpiece audio device, as shown  
and described.

**DESCRIPTION**

FIG. 1 is a rear perspective view of an ornamental design for  
an earpiece audio device in accordance with a first embodi-  
ment;  
FIG. 2 is a front perspective view thereof;  
FIG. 3 is a rear view thereof;  
FIG. 4 is a front view thereof;  
FIG. 5 is a first side view thereof;  
FIG. 6 is a second side view thereof;  
FIG. 7 is a top view thereof;  
FIG. 8 is a bottom view thereof;  
FIG. 9 is a rear perspective view of an ornamental design for  
an earpiece audio device in accordance with a second  
embodiment;  
FIG. 10 is a front perspective view thereof;  
FIG. 11 is a rear view thereof;  
FIG. 12 is a front view thereof;  
FIG. 13 is a first side view thereof;  
FIG. 14 is a second side view thereof;  
FIG. 15 is a top view thereof; and,  
FIG. 16 is a bottom view thereof.

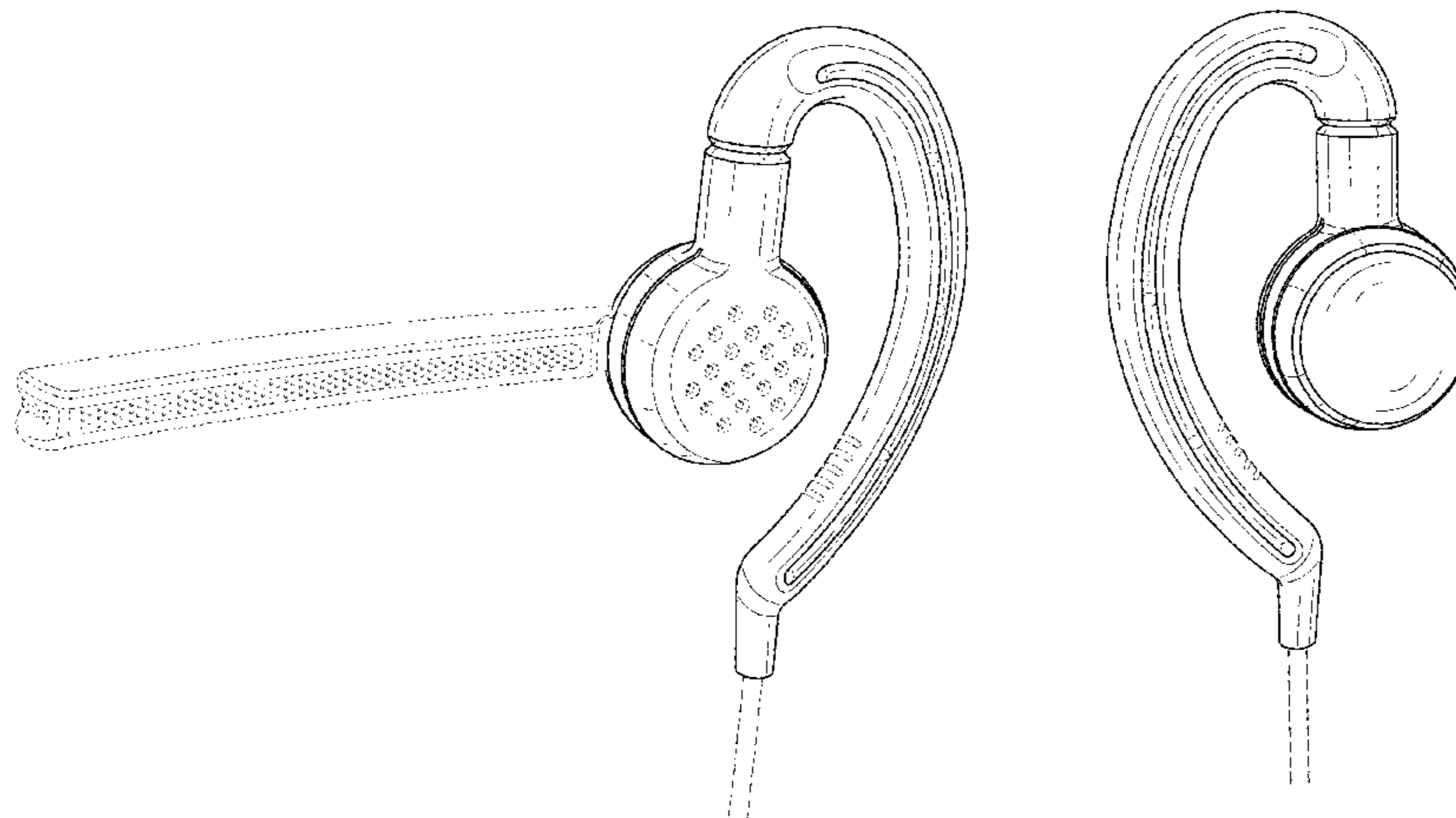
The broken lines shown in FIGS. 1-16 are included for the  
purpose of illustrating environmental elements only and form  
no part of the claimed design.

(56) **References Cited**

**U.S. PATENT DOCUMENTS**

2,474,135 A \* 6/1949 White ..... H04R 25/656  
381/330  
2,641,327 A \* 6/1953 Balmer ..... H04R 1/105  
181/129  
D174,053 S \* 2/1955 Norris ..... 455/351  
D179,150 S \* 11/1956 Norris ..... D14/192  
D180,694 S \* 7/1957 Norris ..... D14/192  
4,335,281 A \* 6/1982 Scott ..... H04M 1/105  
381/430  
D284,859 S \* 7/1986 Okada ..... D14/192  
4,893,344 A \* 1/1990 Tragardh ..... H04M 1/05  
379/430  
4,917,504 A \* 4/1990 Scott ..... H04M 1/05  
381/330  
D309,306 S \* 7/1990 Weiser ..... D14/249

**1 Claim, 8 Drawing Sheets**



# US D753,626 S

Page 2

(56)

## References Cited

### U.S. PATENT DOCUMENTS

5,708,724	A *	1/1998	Burris	.....	H04M 1/105 381/370	D510,575	S *	10/2005	Leong	.....	D14/205
D403,327	S *	12/1998	Landreth	.....	D14/206	D518,479	S *	4/2006	Skulley	.....	D14/225
D407,089	S *	3/1999	Norin	.....	D14/206	7,106,877	B1 *	9/2006	Linville	.....	H04R 1/1066 381/370
D420,007	S *	2/2000	Marshall	.....	D14/206	D535,980	S *	1/2007	Bentley	.....	D14/225
D421,755	S *	3/2000	Pitel	.....	D14/223	D541,787	S *	5/2007	Ma	.....	D14/205
6,101,260	A *	8/2000	Jensen	.....	H04M 1/105 379/430	D543,968	S *	6/2007	Wong	.....	D14/205
D431,030	S *	9/2000	Yoon	.....	D14/142	D575,772	S *	8/2008	Schultz	.....	D14/206
D431,235	S *	9/2000	Lyman	.....	D14/142	D601,126	S *	9/2009	Christopher	.....	D14/206
D441,739	S *	5/2001	Hayes	.....	D14/223	D612,840	S *	3/2010	Yang	.....	D14/206
D443,261	S *	6/2001	Yuyama	.....	D14/223	7,708,110	B2 *	5/2010	Leong	.....	A61F 11/08 128/867
D451,906	S *	12/2001	Amae	.....	D14/223	D617,780	S *	6/2010	Jaakkola	.....	D14/223
D451,907	S *	12/2001	Amae	.....	D14/206	D624,529	S *	9/2010	Huang	.....	D14/206
6,427,018	B1 *	7/2002	Keliliki	.....	H04R 1/1066 381/370	D635,960	S *	4/2011	Gondo	.....	D14/223
D464,943	S *	10/2002	Lai	.....	D14/206	D645,454	S *	9/2011	Quek	.....	D14/223
D464,944	S *	10/2002	Lee	.....	D14/206	D653,649	S *	2/2012	Yang	.....	D14/206
D467,908	S *	12/2002	Bey	.....	D14/223	D657,347	S *	4/2012	Chung	.....	D14/206
D470,128	S *	2/2003	Hlas	.....	D14/205	D671,915	S *	12/2012	Birger	.....	D14/206
D478,901	S *	8/2003	Rath	.....	D14/223	D681,003	S *	4/2013	Ham	.....	D14/206
D492,667	S *	7/2004	Skulley	.....	D14/223	D681,014	S *	4/2013	Ham	.....	D14/206
6,771,790	B2 *	8/2004	Liu	.....	H04M 1/05 381/375	D684,145	S *	6/2013	Rath	.....	D14/206
D500,999	S *	1/2005	Dyer	.....	D14/223	D691,113	S *	10/2013	Gougherty	.....	D14/206
D501,196	S *	1/2005	Dyer	.....	D14/205	D710,326	S *	8/2014	Burgett	.....	D14/205
D506,994	S *	7/2005	Olson	.....	D14/205	D717,767	S *	11/2014	Mistry	.....	D14/206
D508,911	S *	8/2005	Sanders	.....	D14/223	D726,147	S *	4/2015	Tran	.....	D14/206
D510,085	S *	9/2005	Suzuki	.....	D14/223	2003/0044038	A1 *	3/2003	Shirata	.....	H04R 1/105 381/381
						2005/0286717	A1 *	12/2005	Viduya	.....	H04M 1/05 379/430
						2006/0198544	A1 *	9/2006	Yueh	.....	H04R 1/105 381/381

\* cited by examiner

FIG. 1

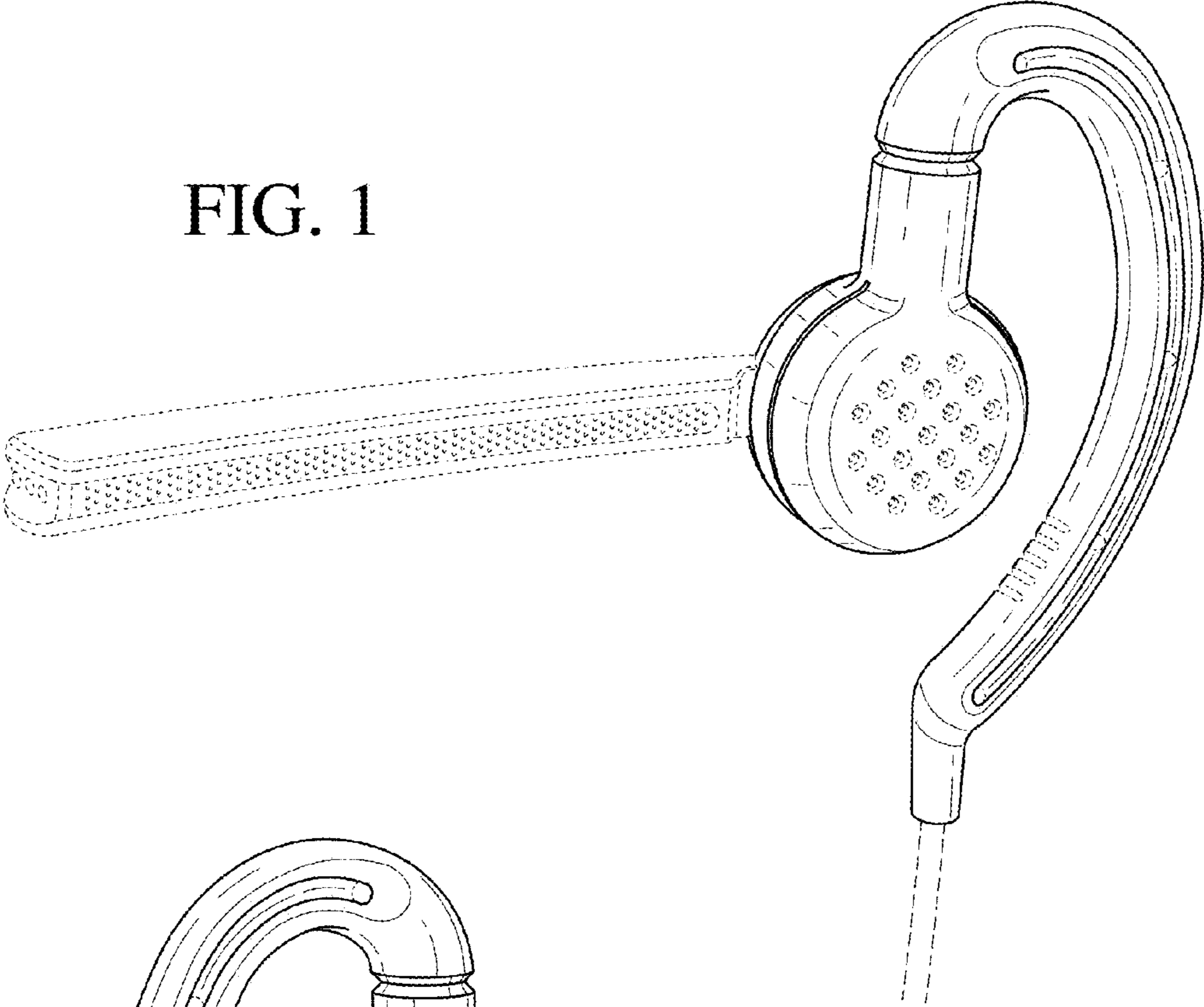


FIG. 2

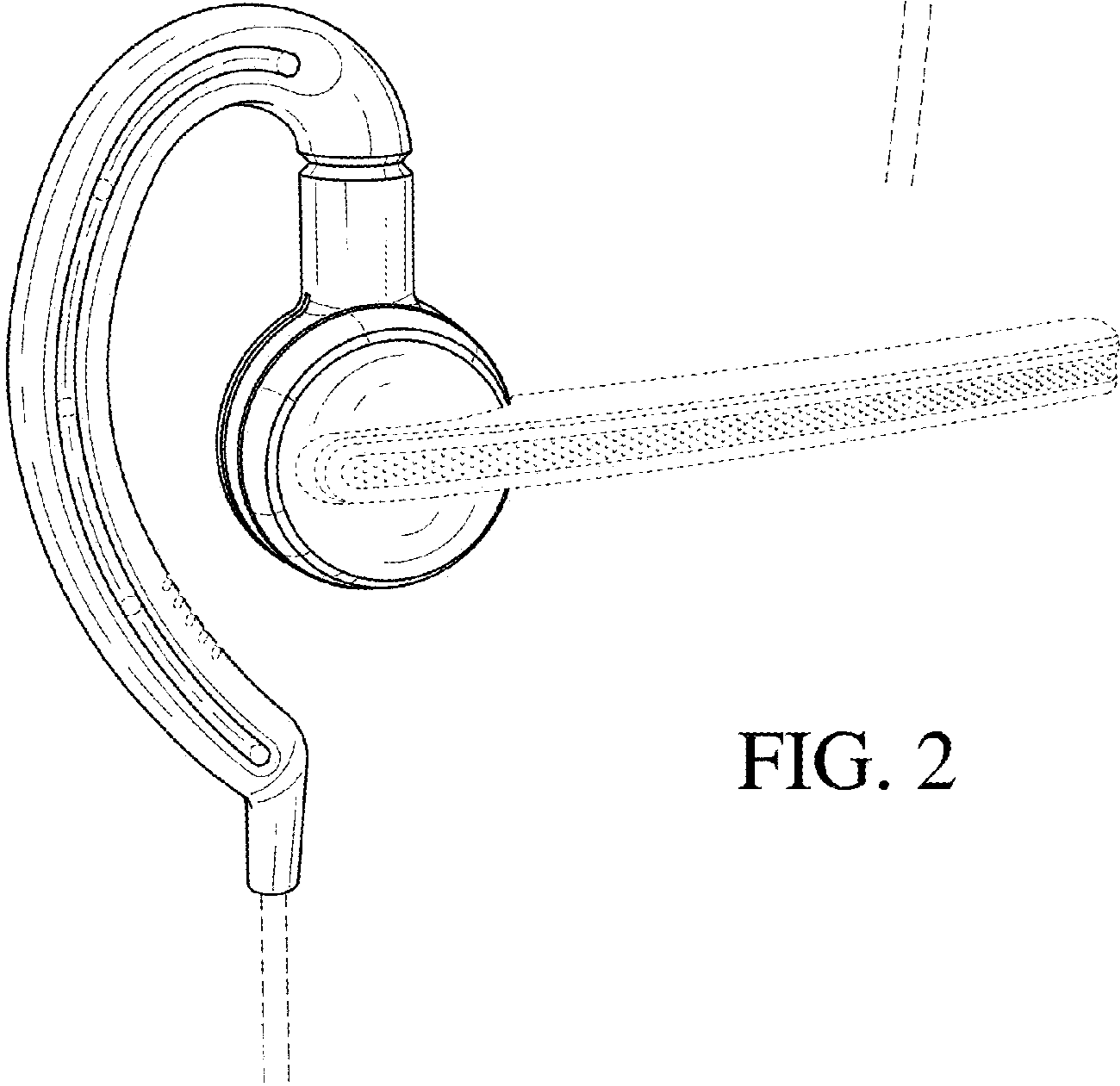


FIG. 3

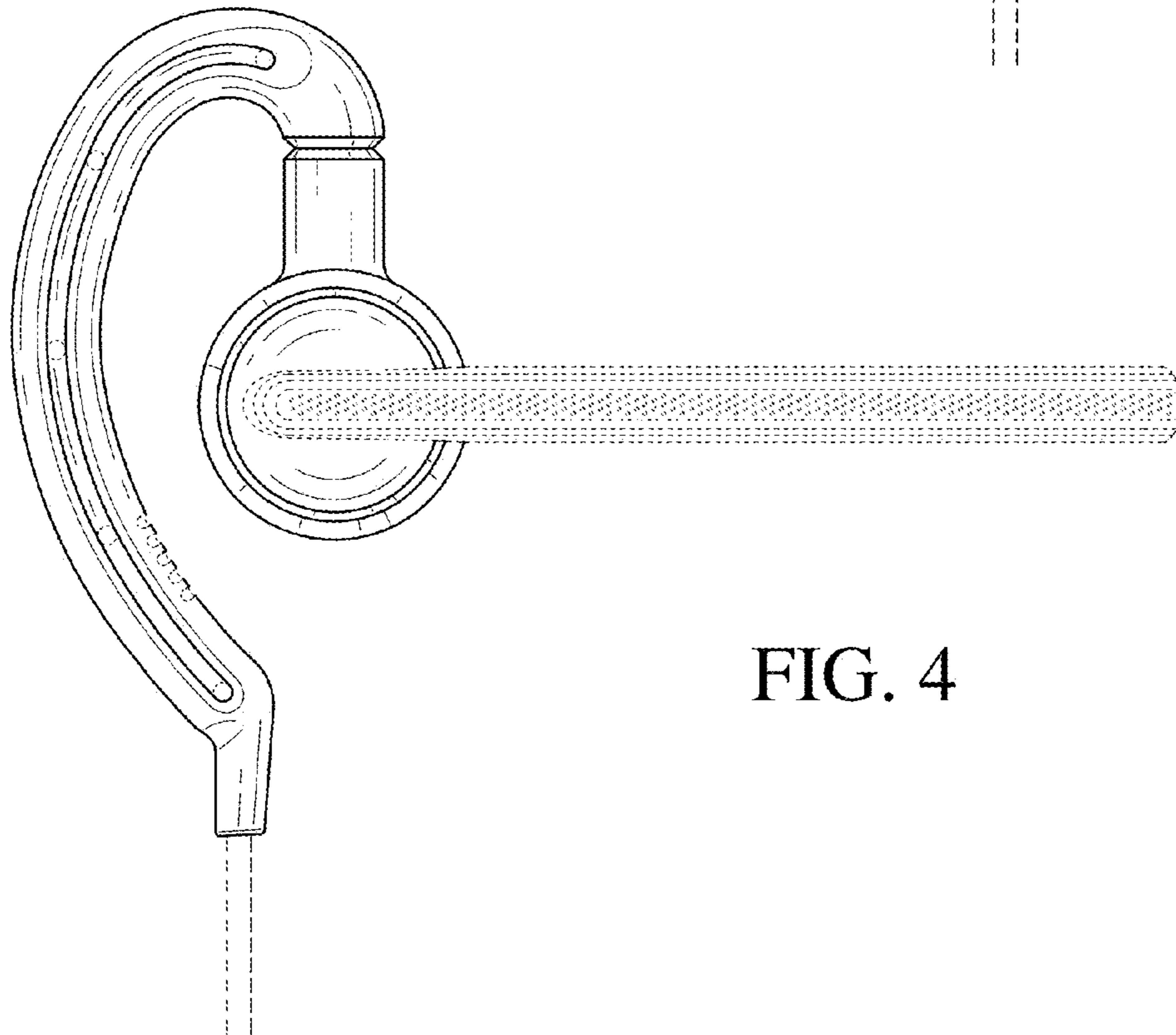
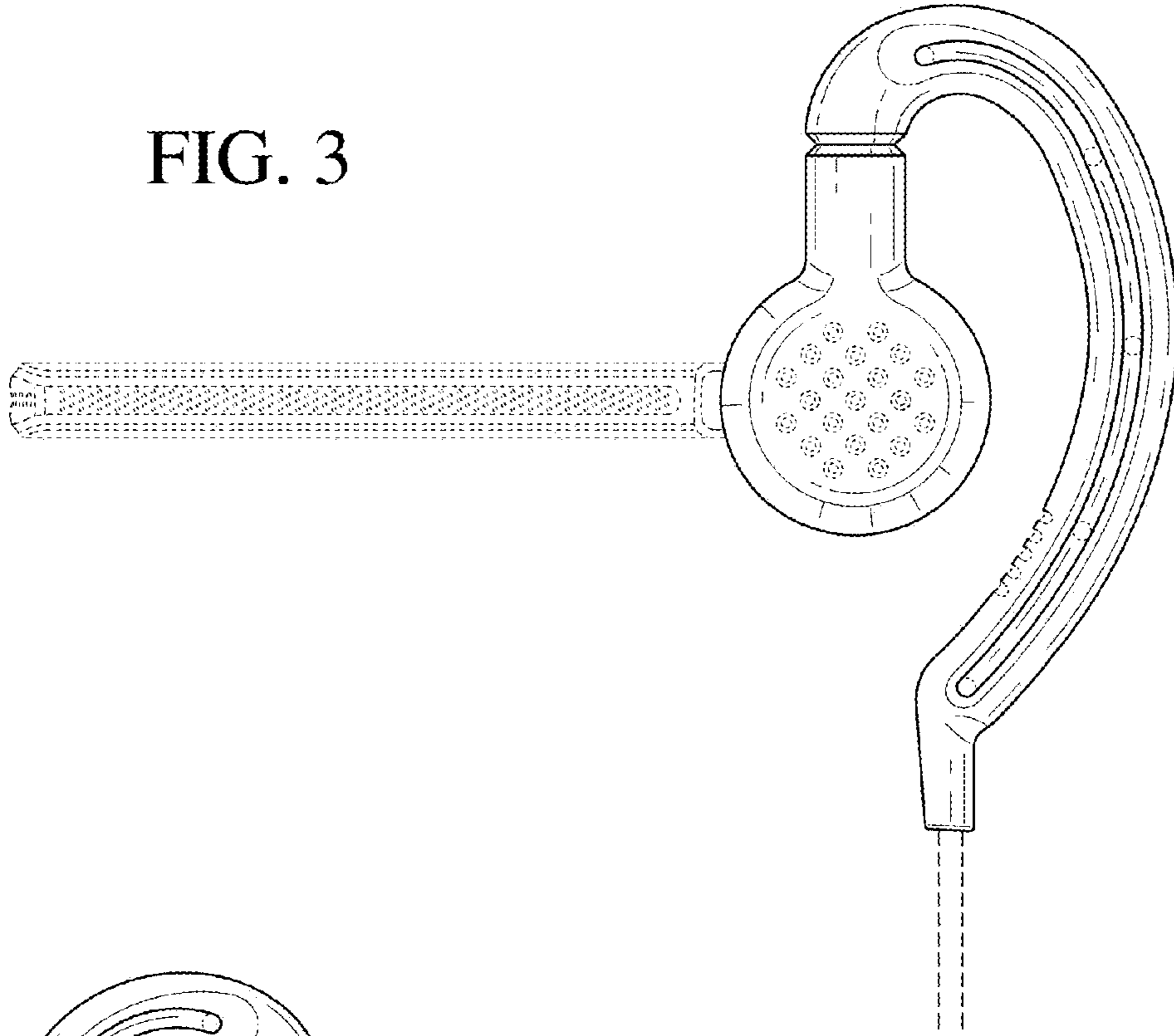


FIG. 4

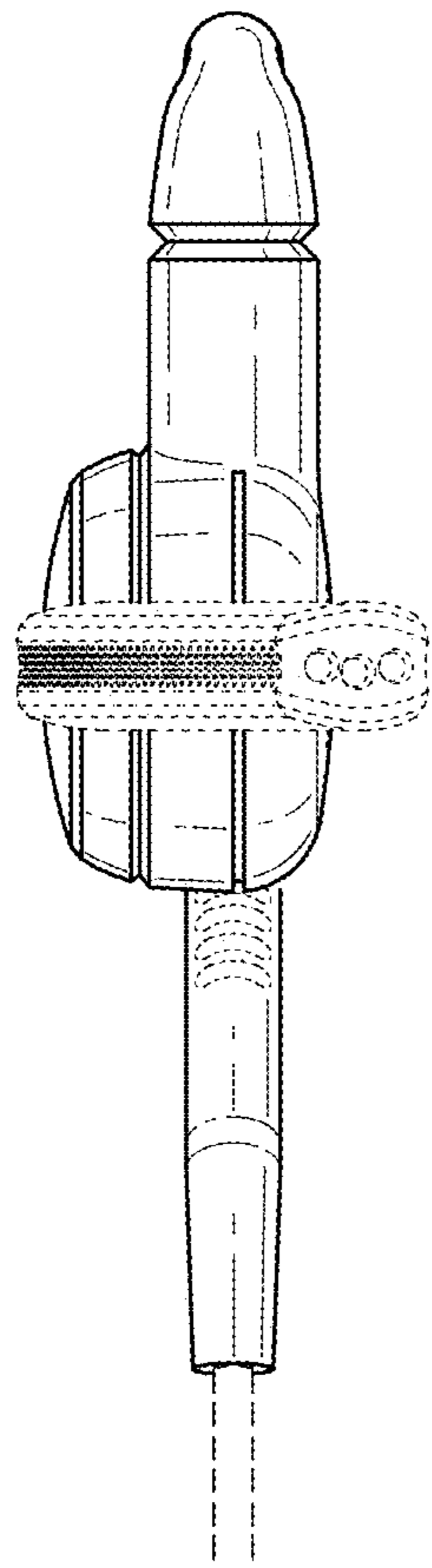


FIG. 5

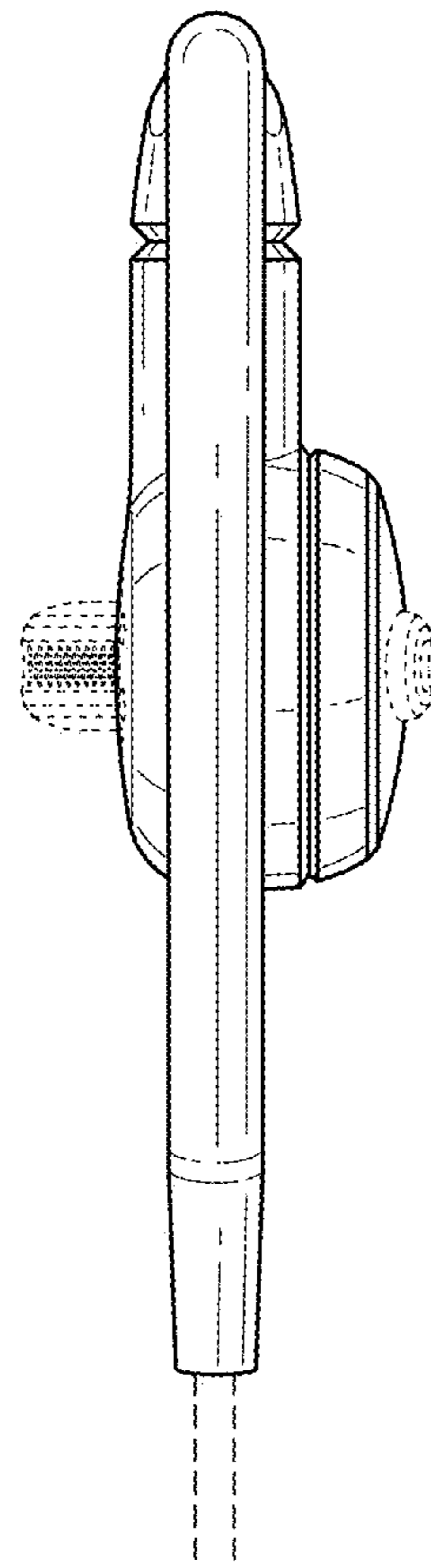


FIG. 6

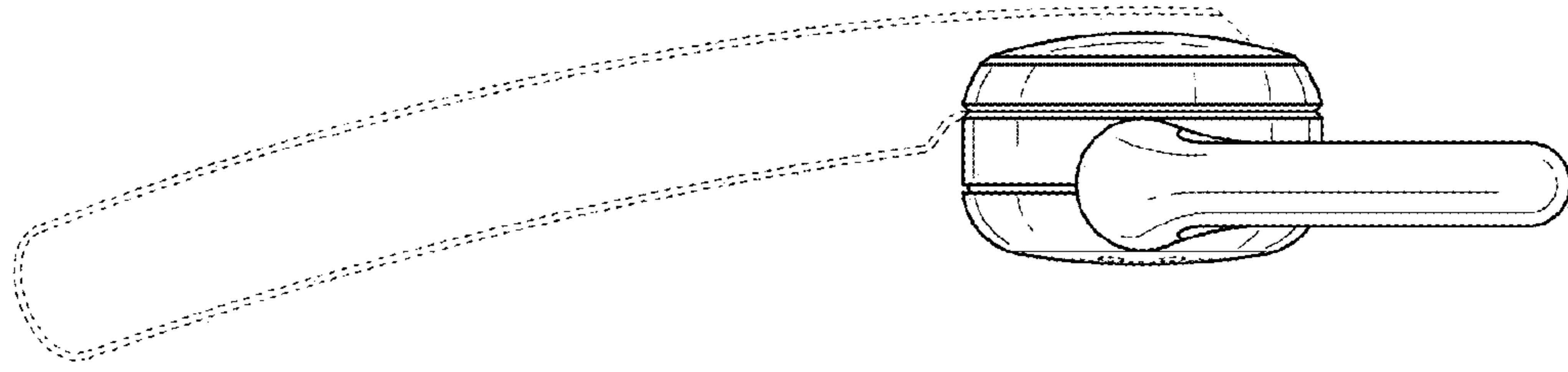


FIG. 7

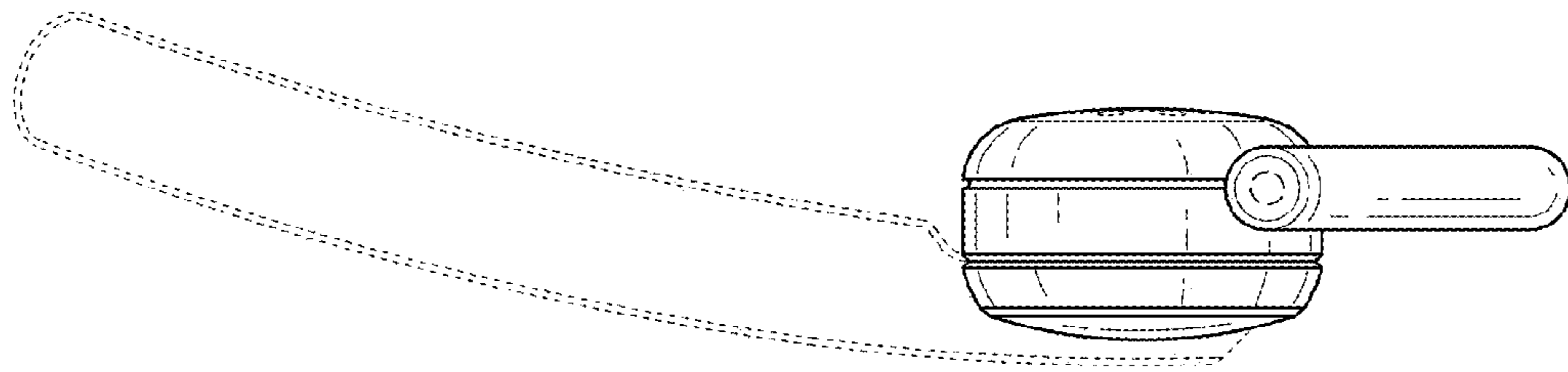


FIG. 8

FIG. 9

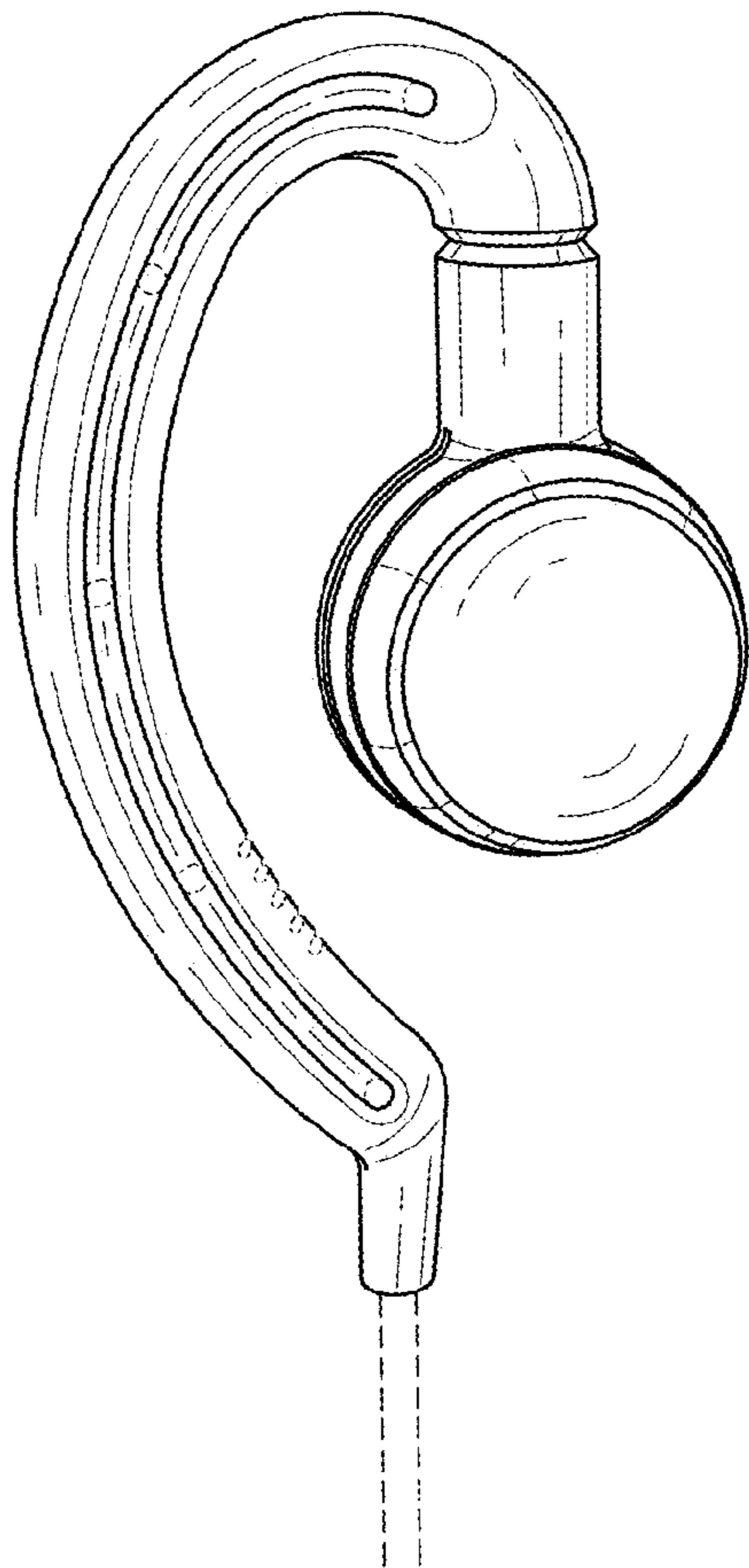
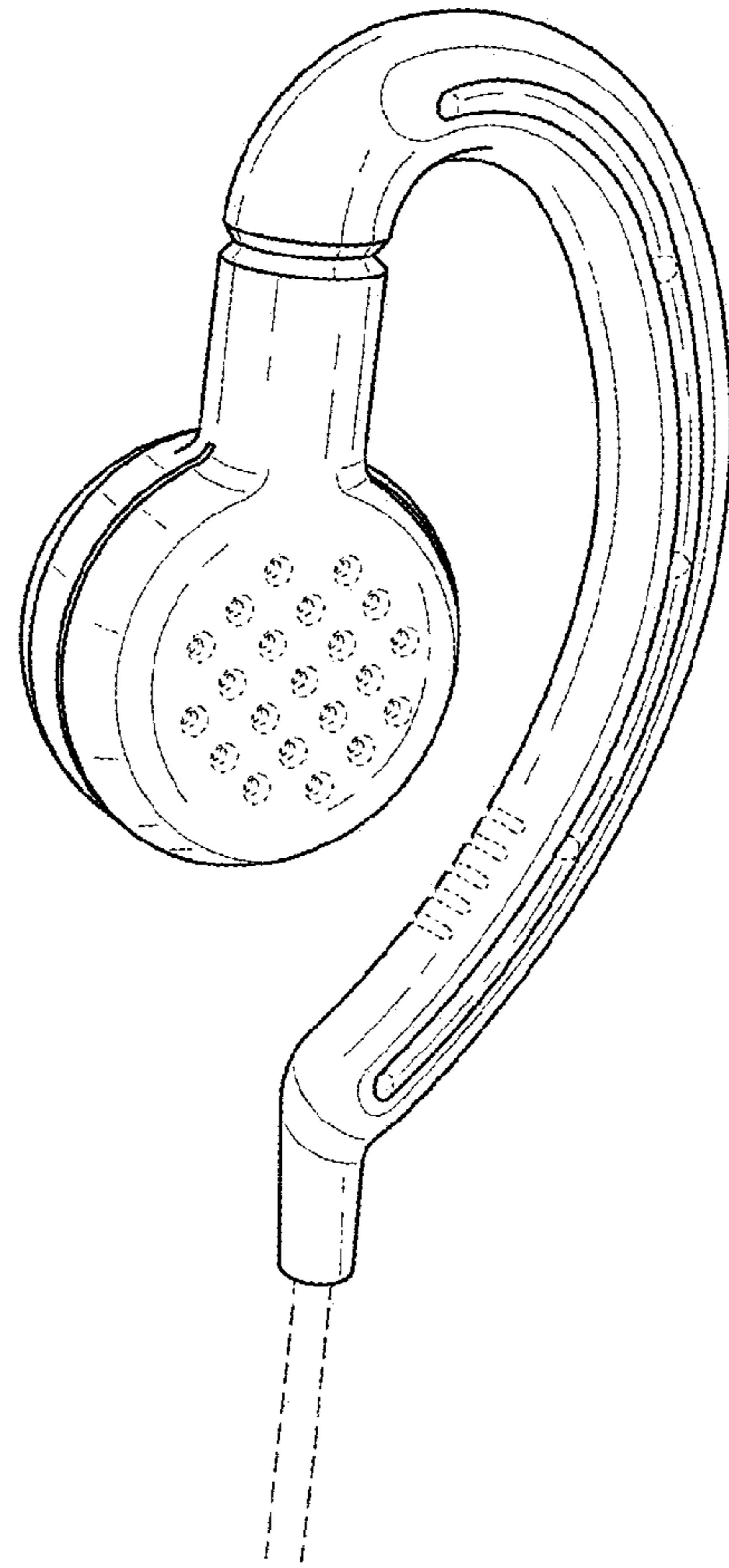


FIG. 10

FIG. 11

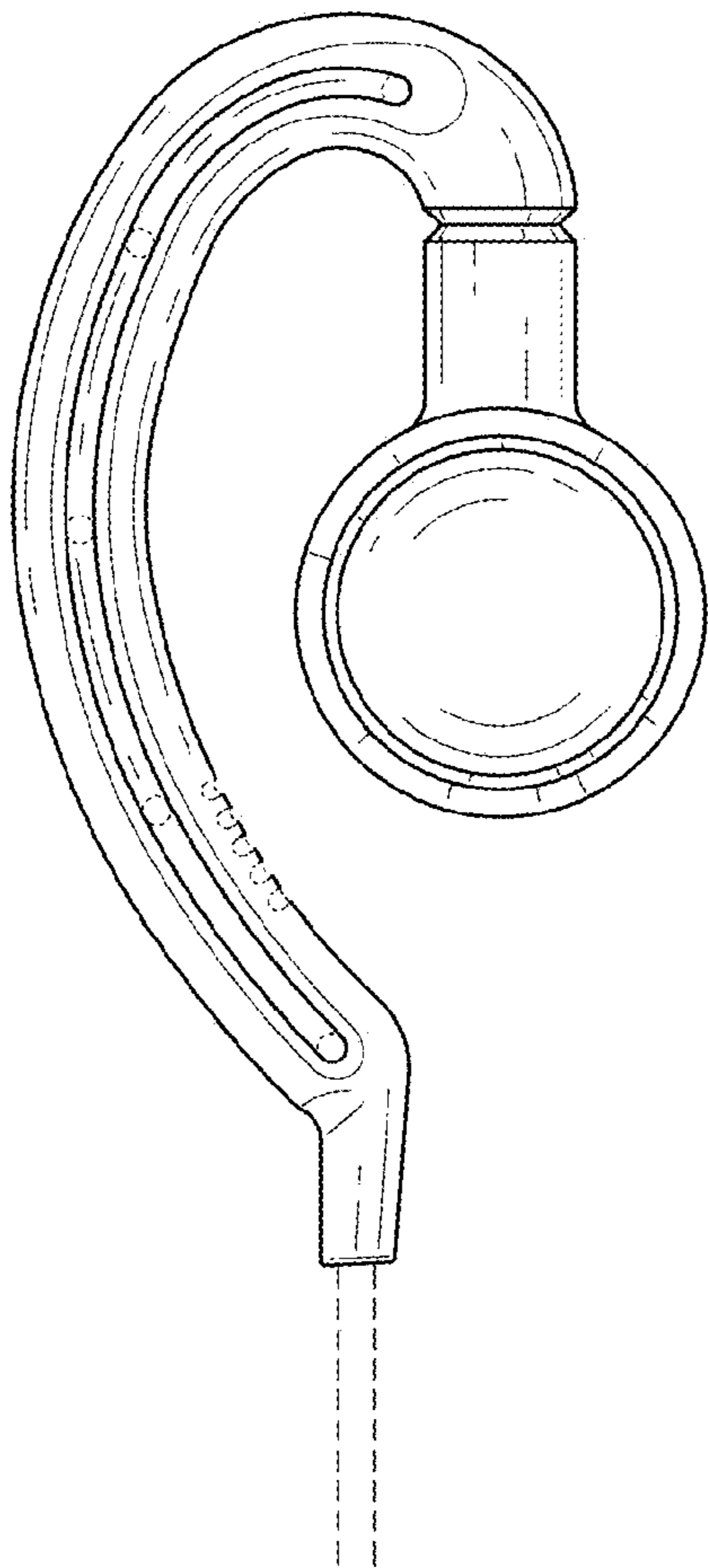
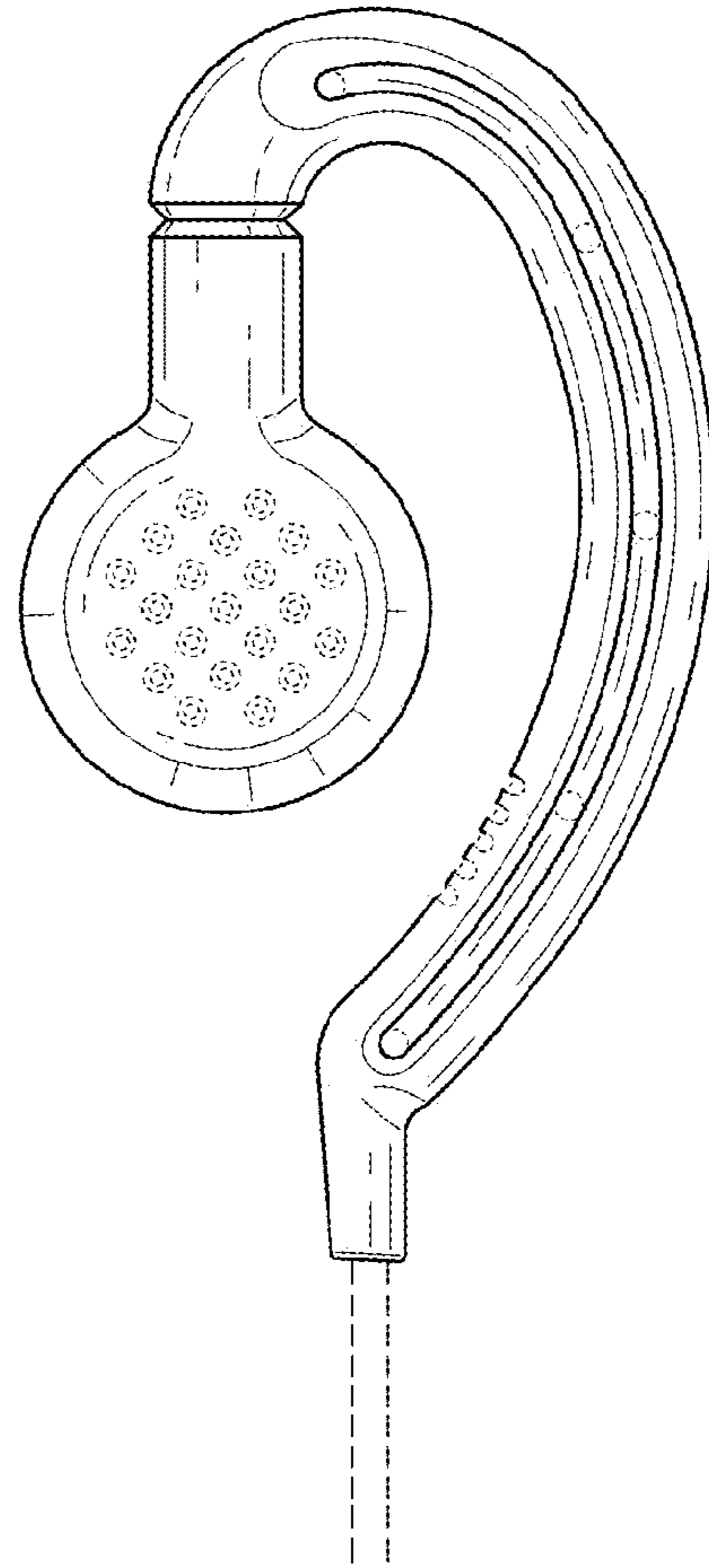


FIG. 12



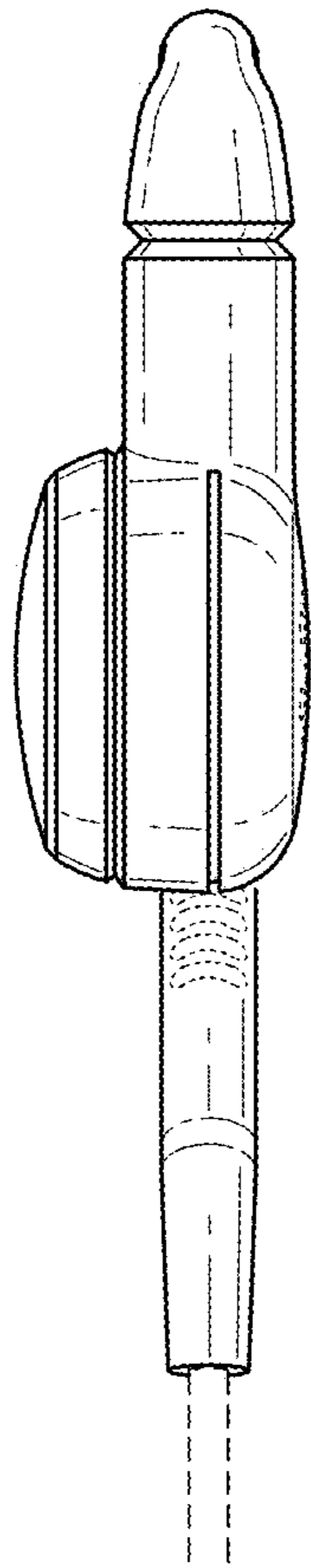


FIG. 13

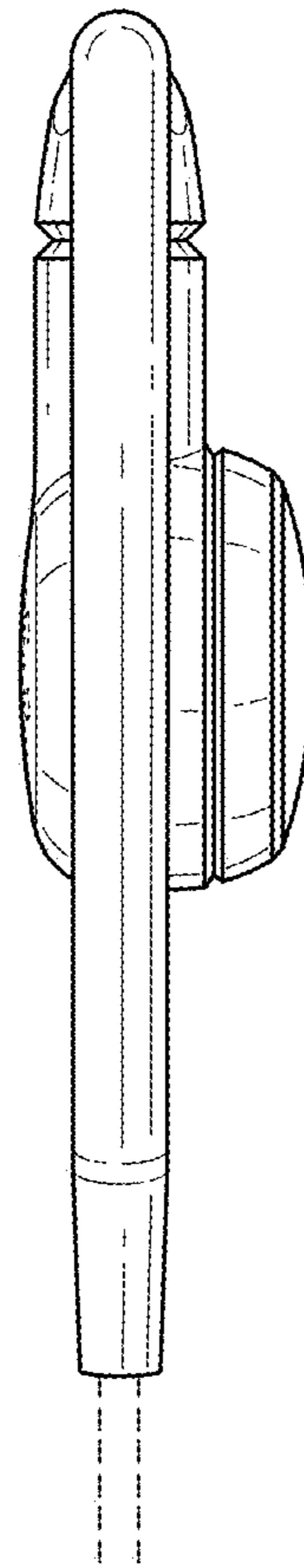


FIG. 14

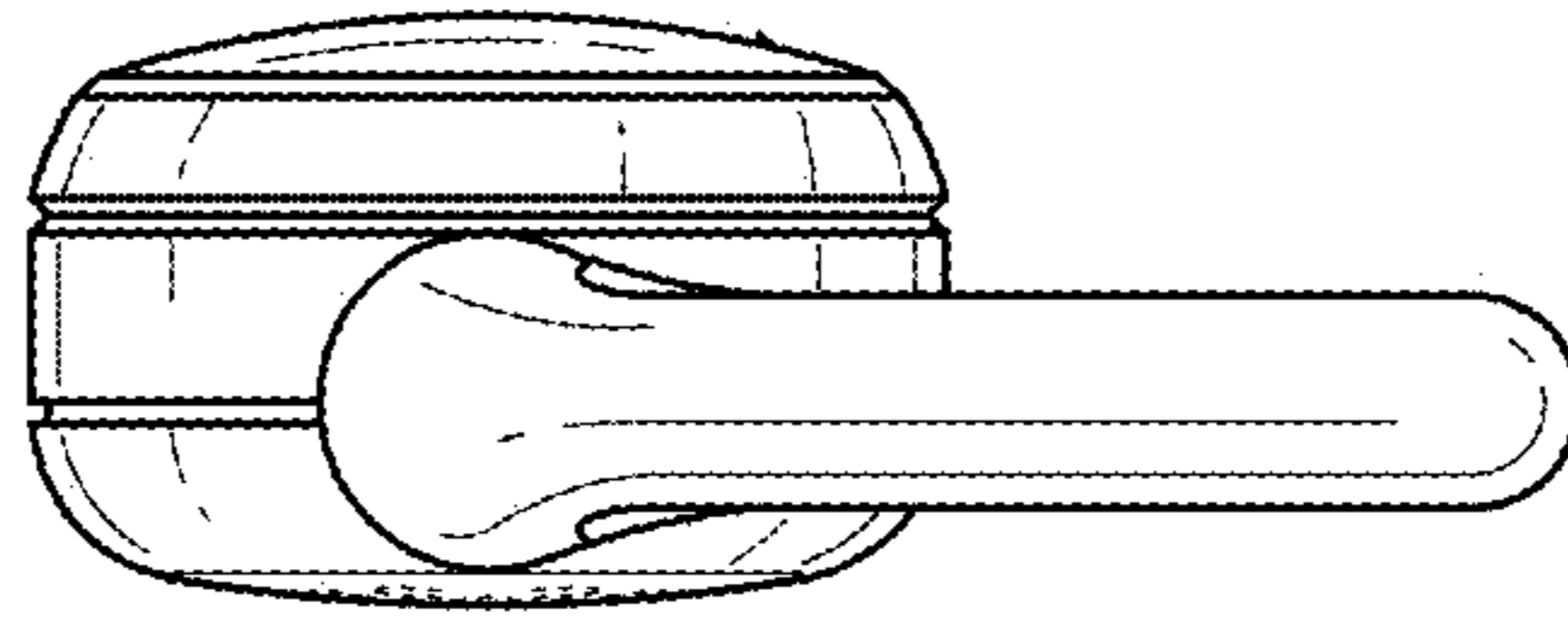


FIG. 15

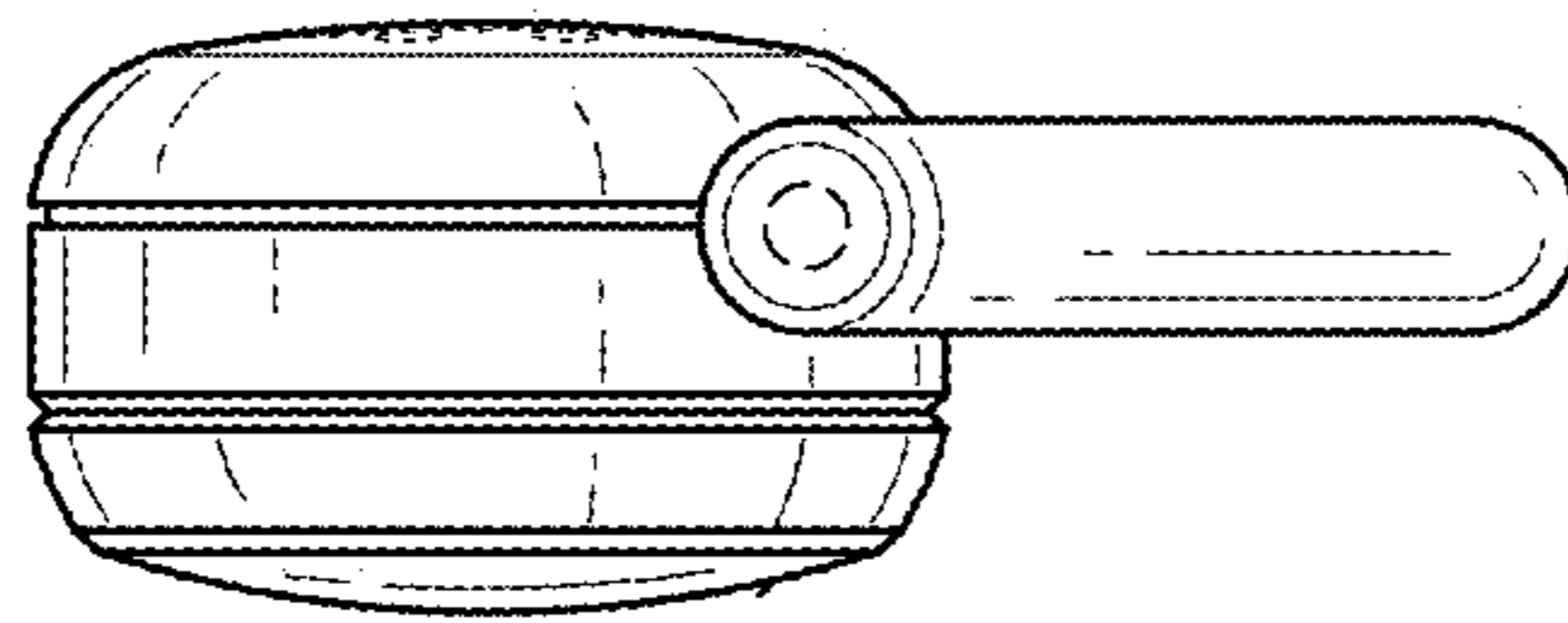


FIG. 16