



US00D753618S

(12) **United States Design Patent**
Ryu et al.

(10) **Patent No.:** **US D753,618 S**
(45) **Date of Patent:** **** Apr. 12, 2016**

(54) **TELEVISION**

(71) Applicant: **Samsung Electronics Co., Ltd.**,
Suwon-si (KR)

(72) Inventors: **Jin-le Ryu**, Seoul (KR); **Jin-Wook Kim**,
Yongin-si (KR); **Ki-Hyun Yoon**, Busan
(KR); **Hong-Pyo Kim**, Seoul (KR);
Chi-Young Ahn, Seoul (KR)

(73) Assignee: **SAMSUNG ELECTRONICS CO.,
LTD.** (KR)

(**) Term: **14 Years**

(21) Appl. No.: **29/512,230**

(22) Filed: **Dec. 17, 2014**

(30) **Foreign Application Priority Data**

Jun. 17, 2014 (KR) 30-2014-0029507

(51) **LOC (10) Cl.** **14-03**

(52) **U.S. Cl.**
USPC **D14/126**

(58) **Field of Classification Search**

USPC D14/125-134, 239, 371, 136, 374-377,
D14/440, 450, 448, 336, 342, 159; 312/7.2;
348/836, 838, 180, 184, 325, 739;
248/917-924, 465; 345/104, 133, 156,
345/168, 87, 173; D21/329, 515, 577, 622,
D21/333, 433, 448, 452, 450, 331, 505;
D10/15, 26; 446/484, 175, 356;
D6/477, 479, 300

CPC ... G06F 1/1601; G06F 1/1643; H05K 5/0004;
H05K 5/0017; H05K 5/02; H05K 5/0217
See application file for complete search history.

(56) **References Cited**

U.S. PATENT DOCUMENTS

D323,324 S * 1/1992 Suda D14/125
D655,266 S * 3/2012 Kim D14/126
D655,684 S * 3/2012 Kim et al. D14/126

D680,980 S * 4/2013 Park D14/126
D691,979 S * 10/2013 Park D14/126
D699,205 S * 2/2014 Kim et al. D14/126
D716,776 S * 11/2014 Yoon et al. D14/239
D724,041 S * 3/2015 Li et al. D14/126
D725,058 S * 3/2015 Kim et al. D14/126
D736,170 S * 8/2015 Ryu et al. D14/126
D738,336 S * 9/2015 Hwangbo et al. D14/126

* cited by examiner

Primary Examiner — Raphael Barkai

(74) *Attorney, Agent, or Firm* — Colburn Colburn LLP

(57) **CLAIM**

The ornamental design for a television, as shown and described.

DESCRIPTION

FIG. 1 is a perspective view of a television, showing our new design;

FIG. 2 is a front view thereof;

FIG. 3 is a rear view thereof;

FIG. 4 is a side view thereof;

FIG. 5 is another side view thereof;

FIG. 6 is a top view thereof;

FIG. 7 is a bottom view thereof;

FIG. 8 is a rear perspective view thereof;

FIG. 9 is an enlarged cross sectional view along the line 9-9 of FIG. 2;

FIG. 10 is an enlarged view of portion "10" as shown in FIG. 9;

FIG. 11 is an enlarged view of portion "11" as shown in FIG. 9;

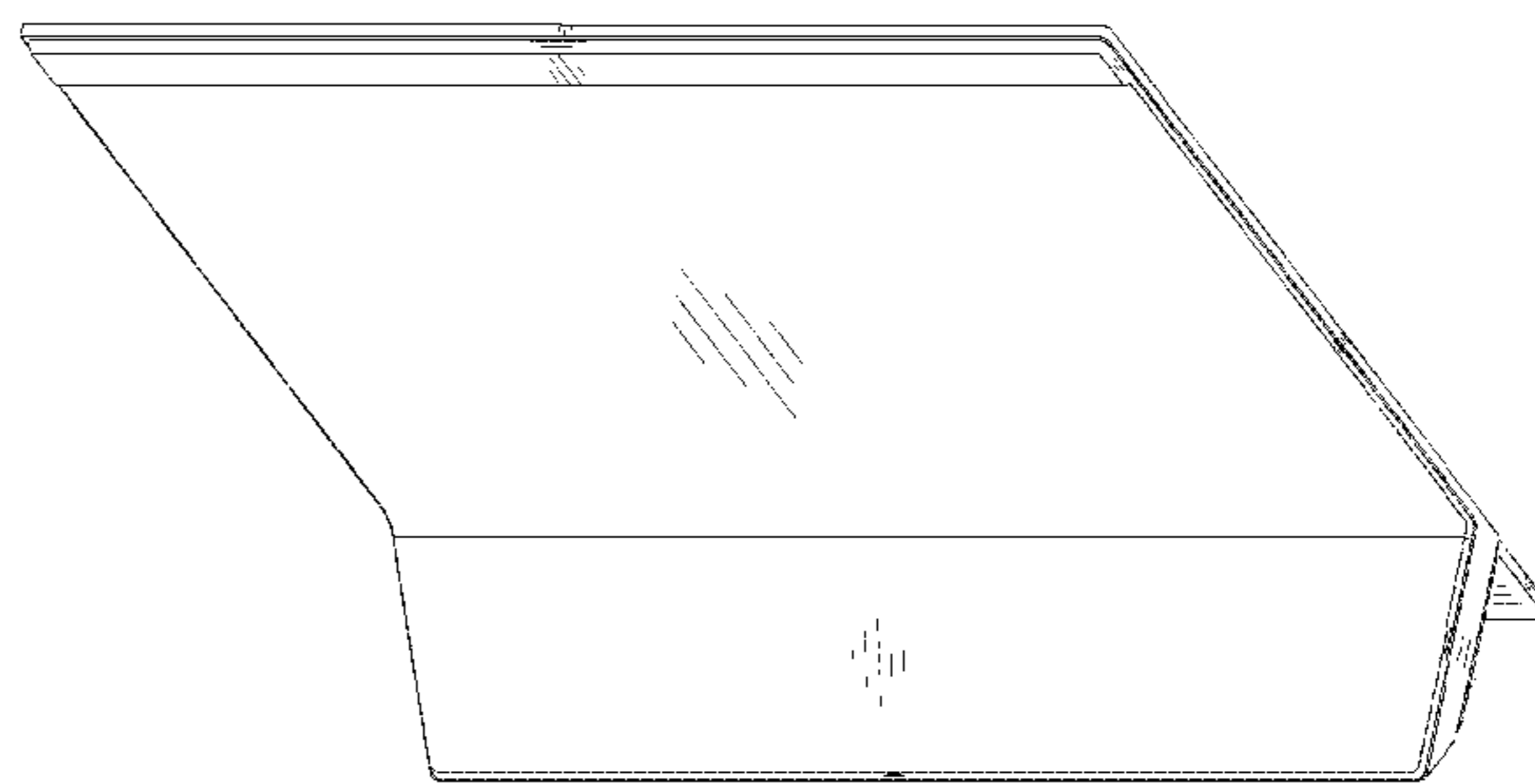
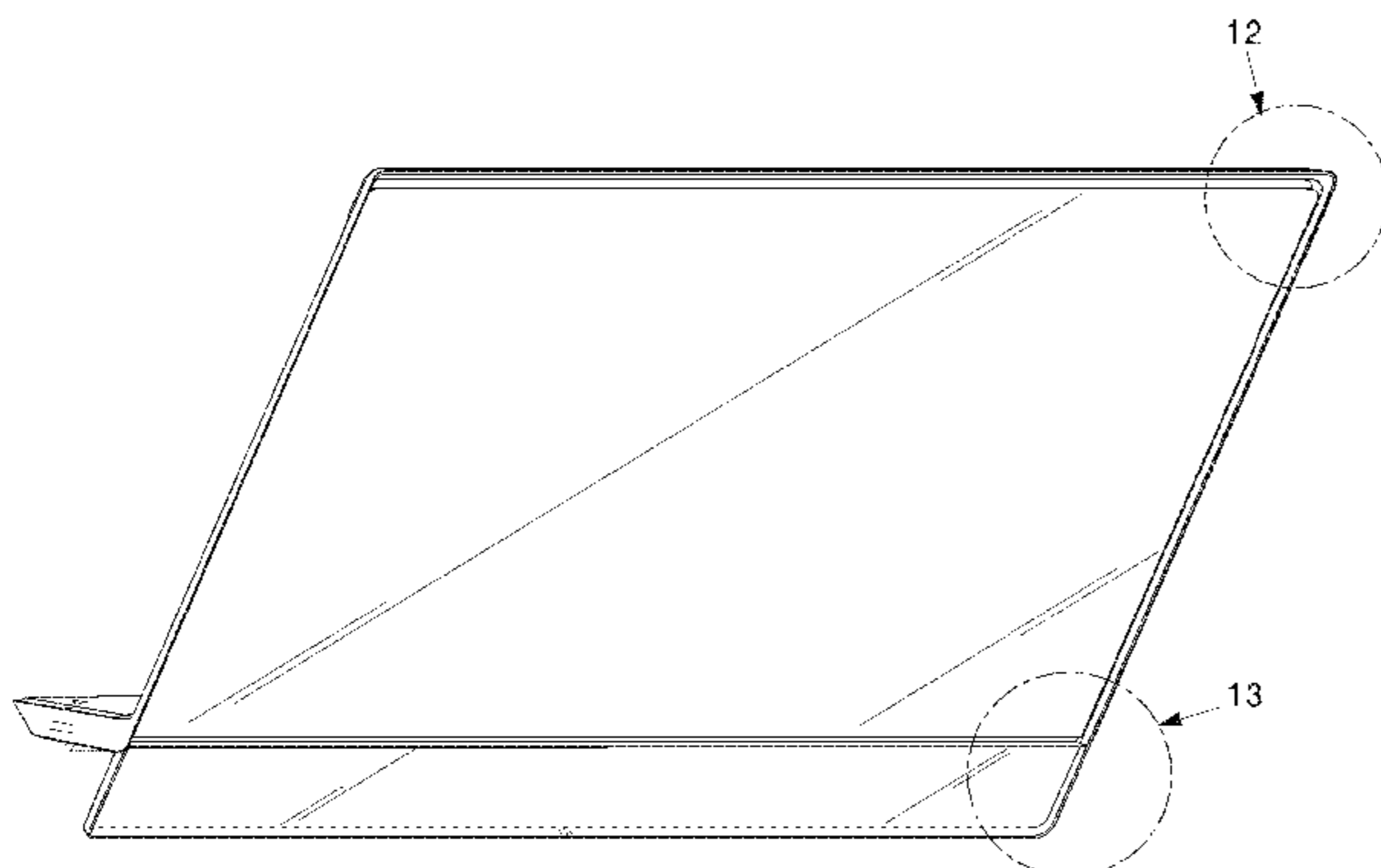
FIG. 12 is an enlarged view of portion "12" as shown in FIG. 1; and,

FIG. 13 is an enlarged view of portion "13" as shown in FIG. 1.

The broken lines are for environmental purpose only and form no part of the claimed design.

The dot-dash broken lines encircling the portion of the claimed design that is illustrated in an enlargement form no part of the claimed design.

1 Claim, 12 Drawing Sheets



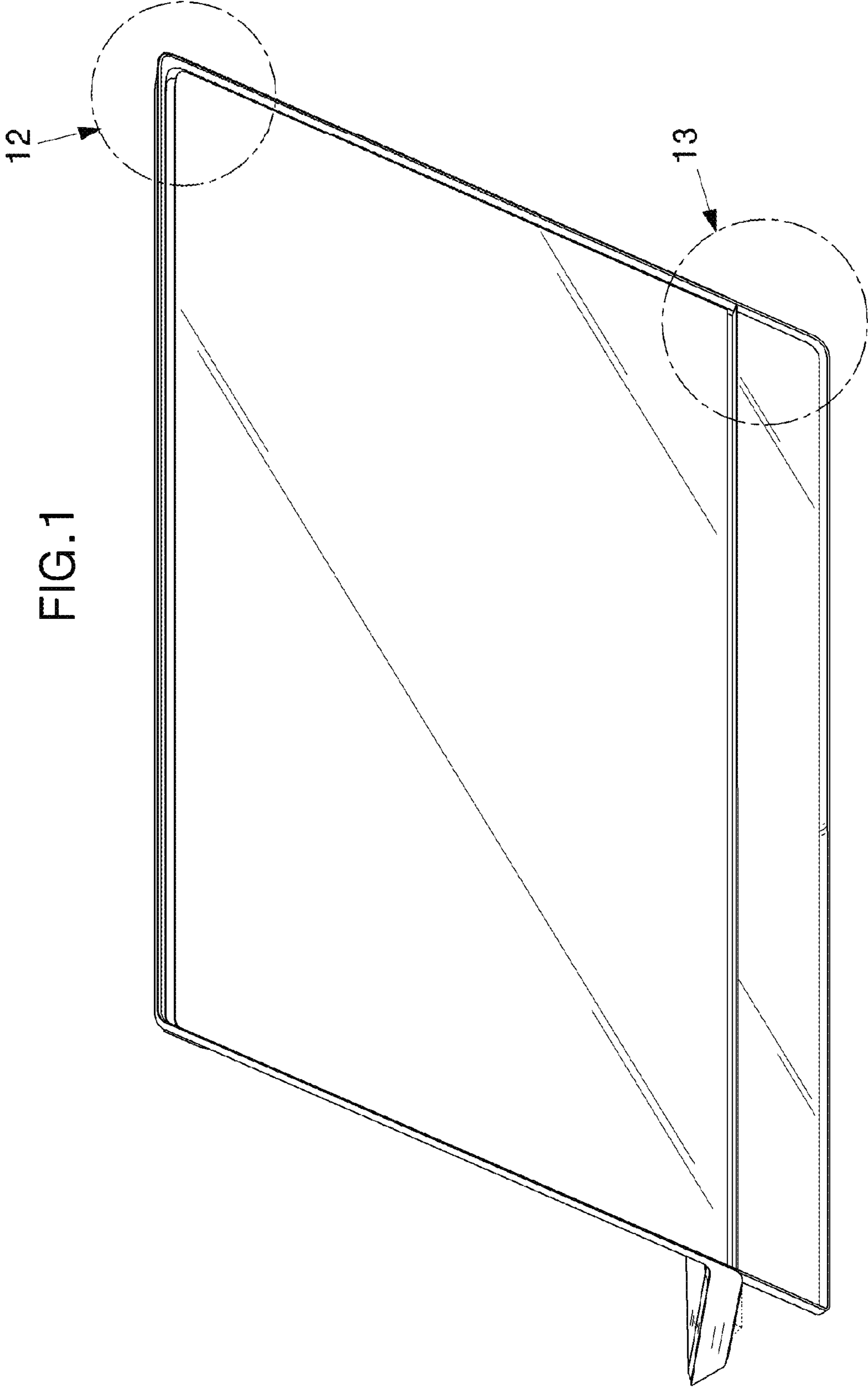


FIG.1

FIG. 2

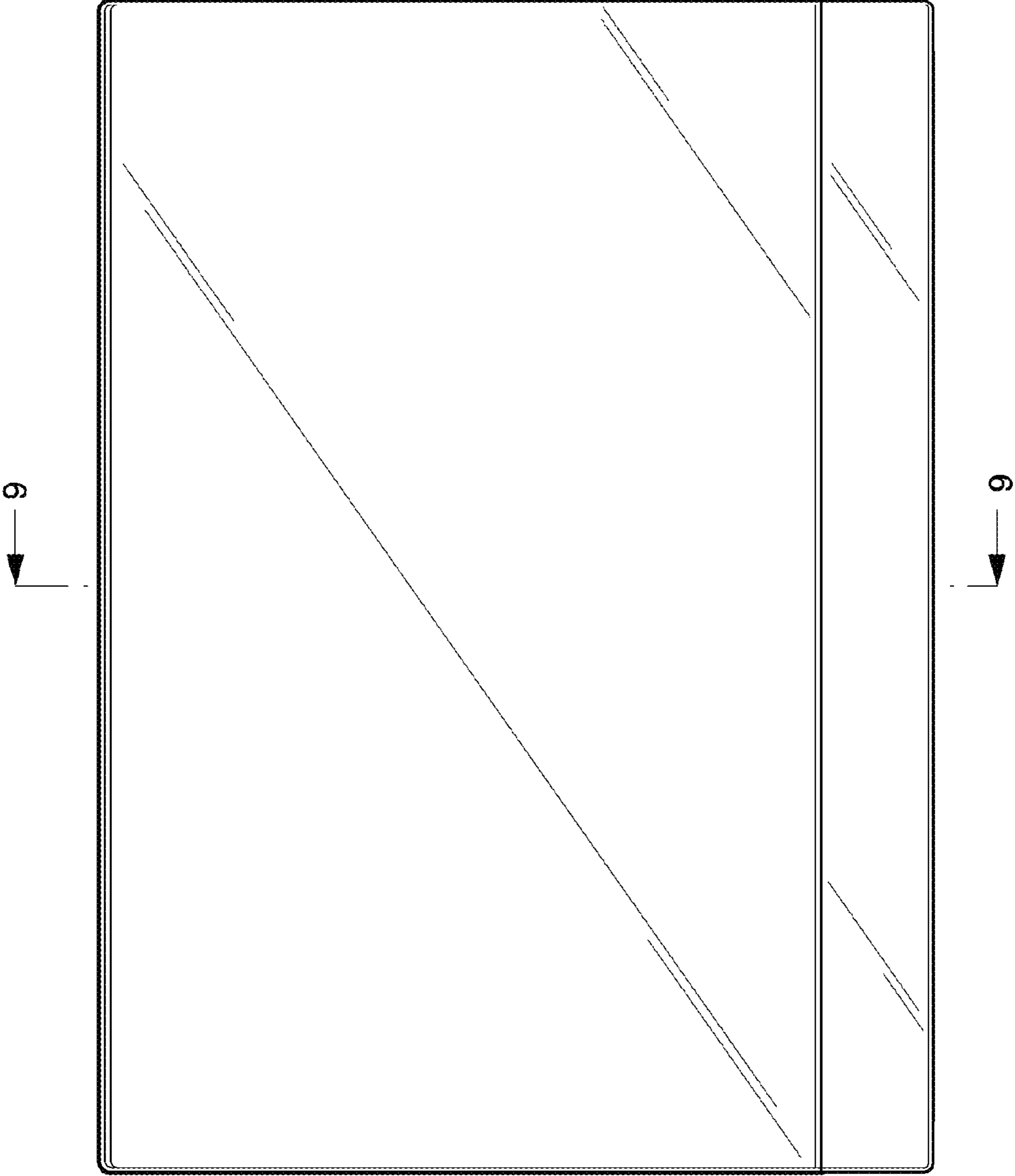


FIG. 3

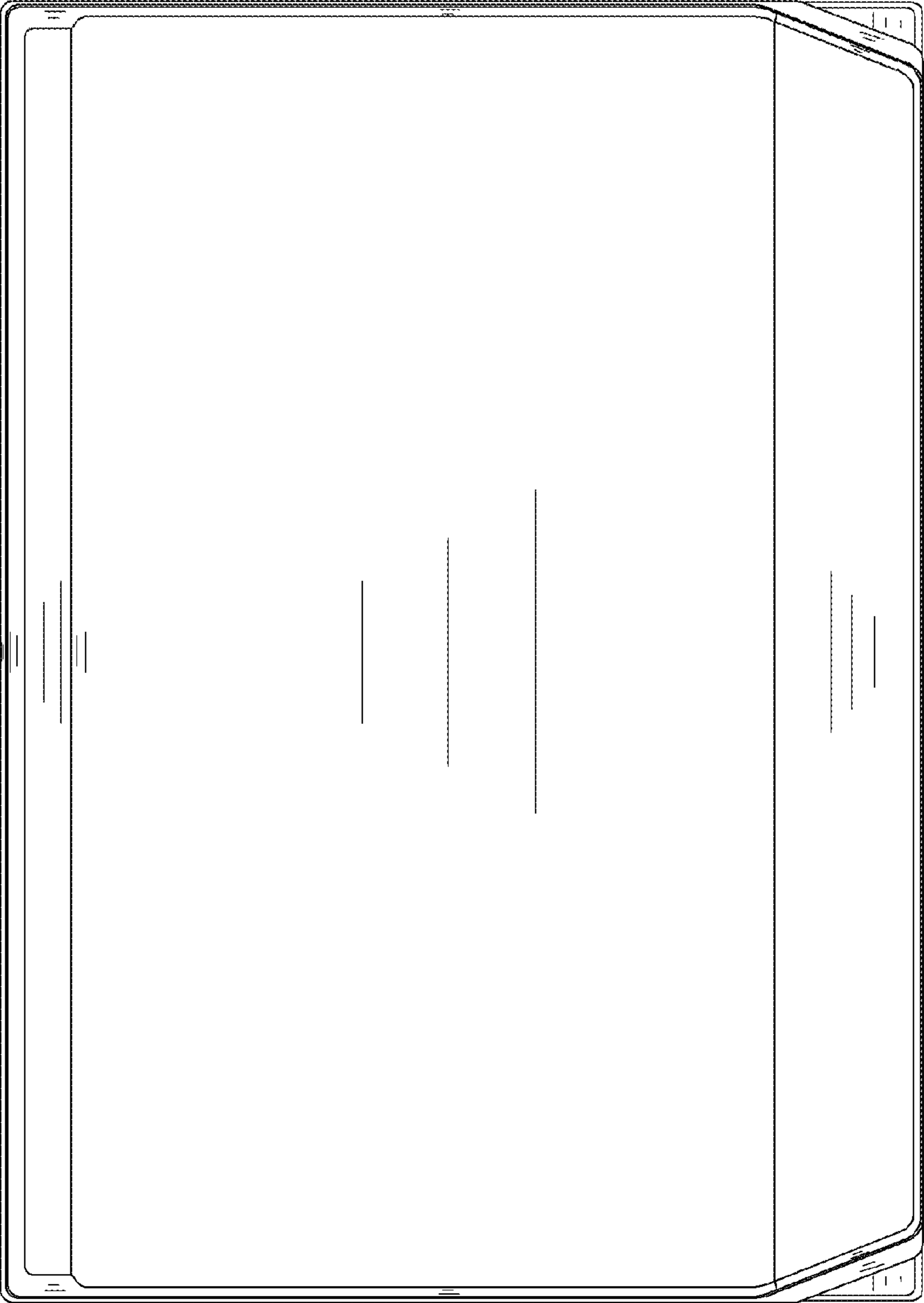


FIG.4

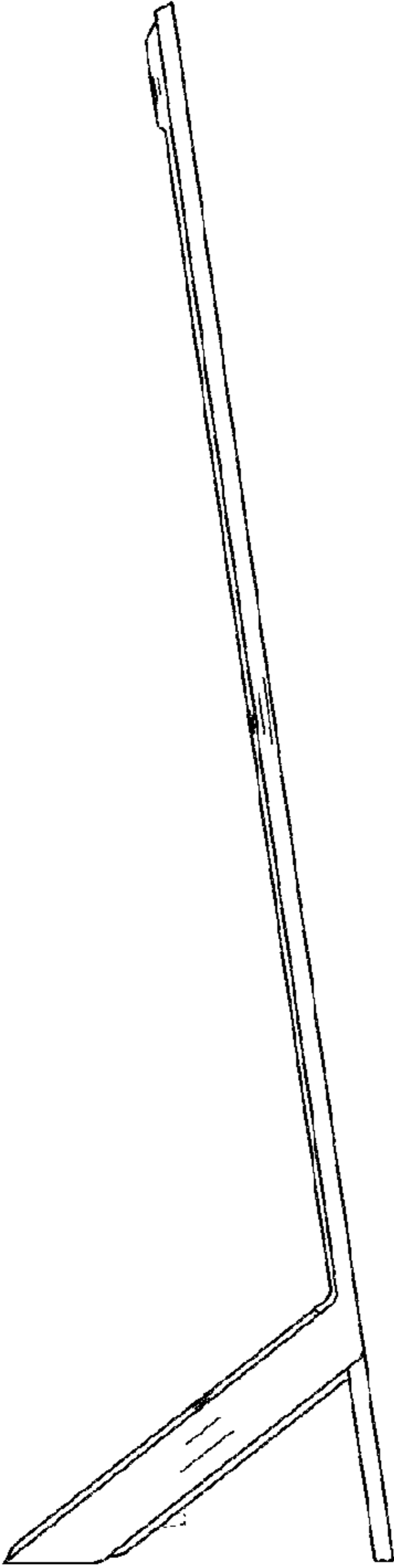


FIG.5

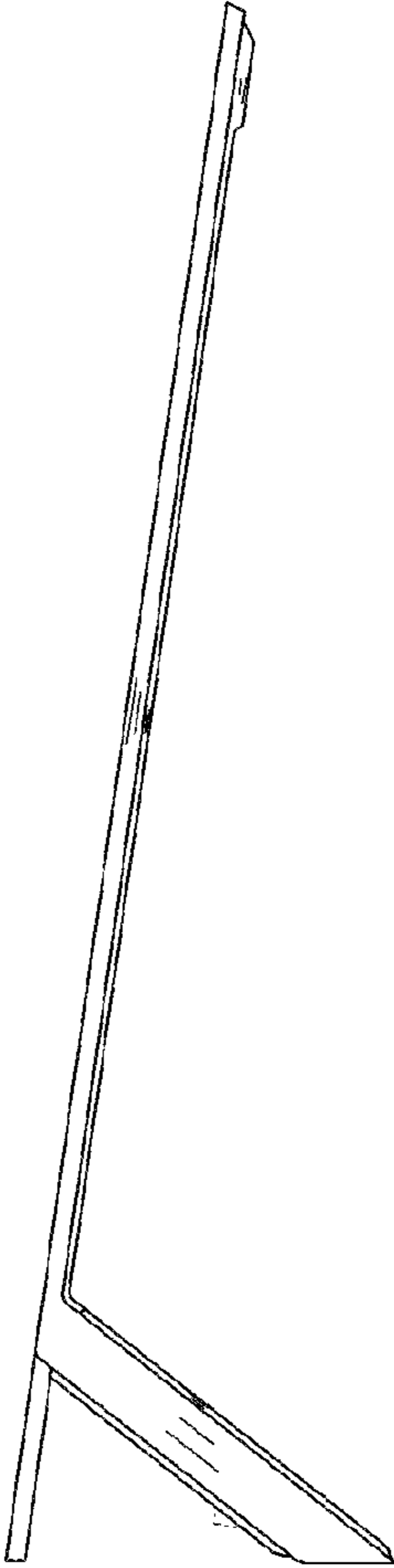


FIG. 6

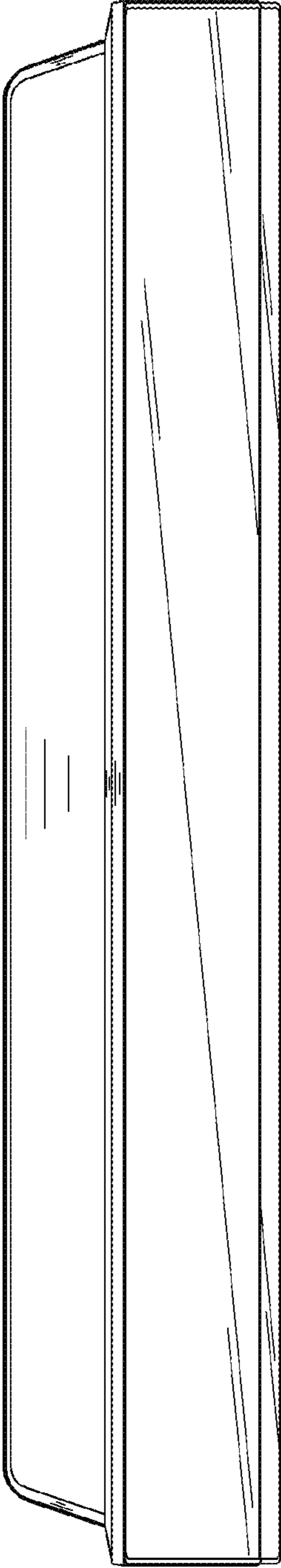


FIG. 7

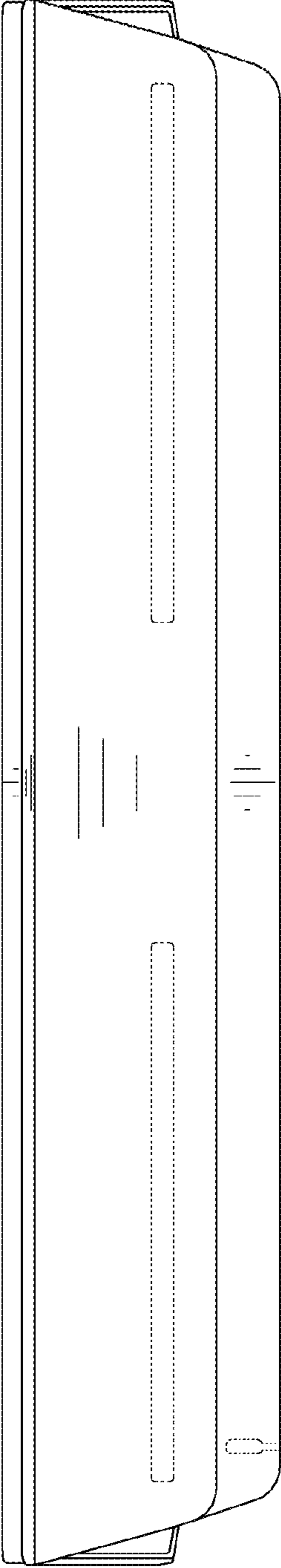


FIG. 8

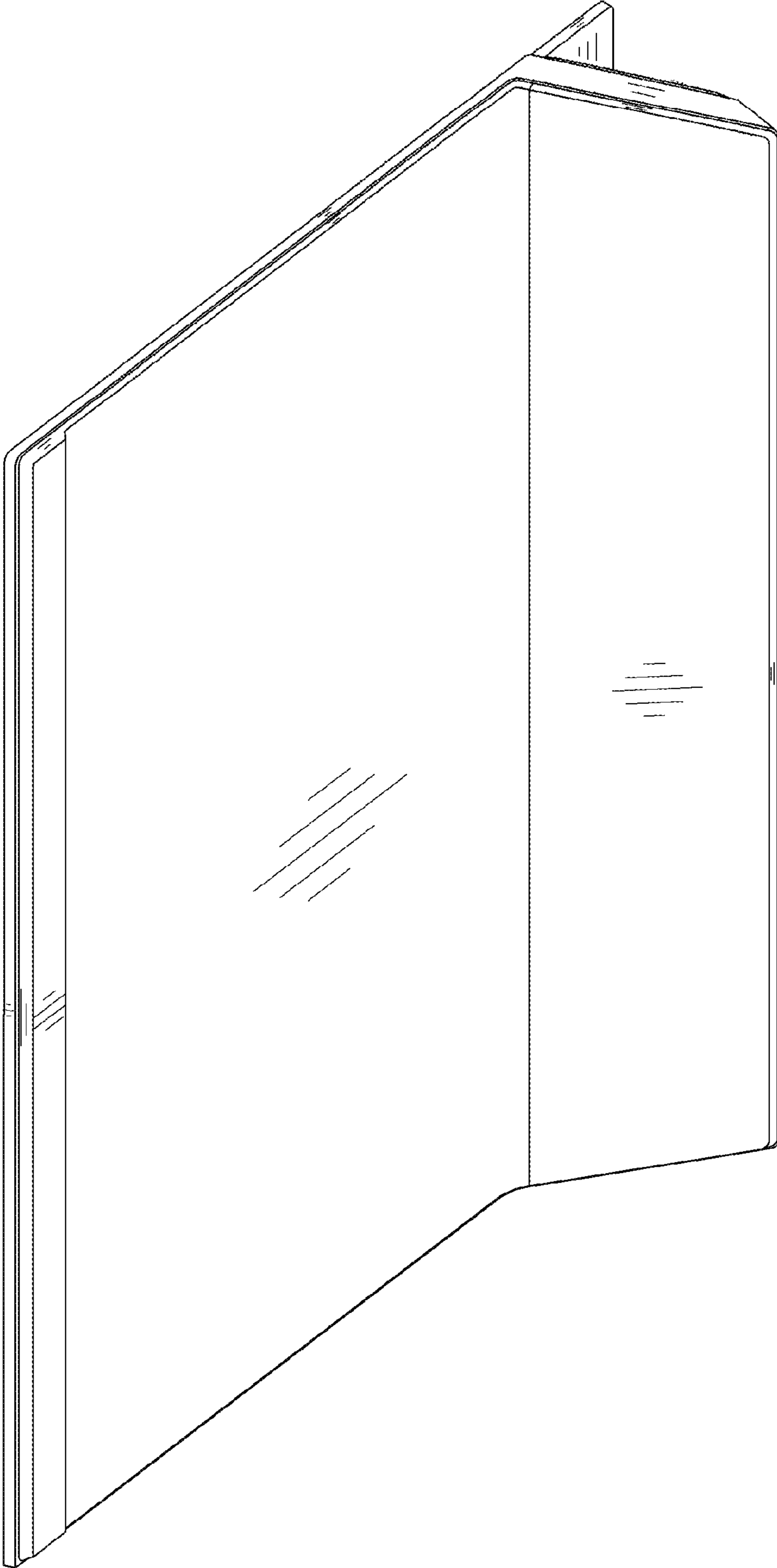


FIG. 9

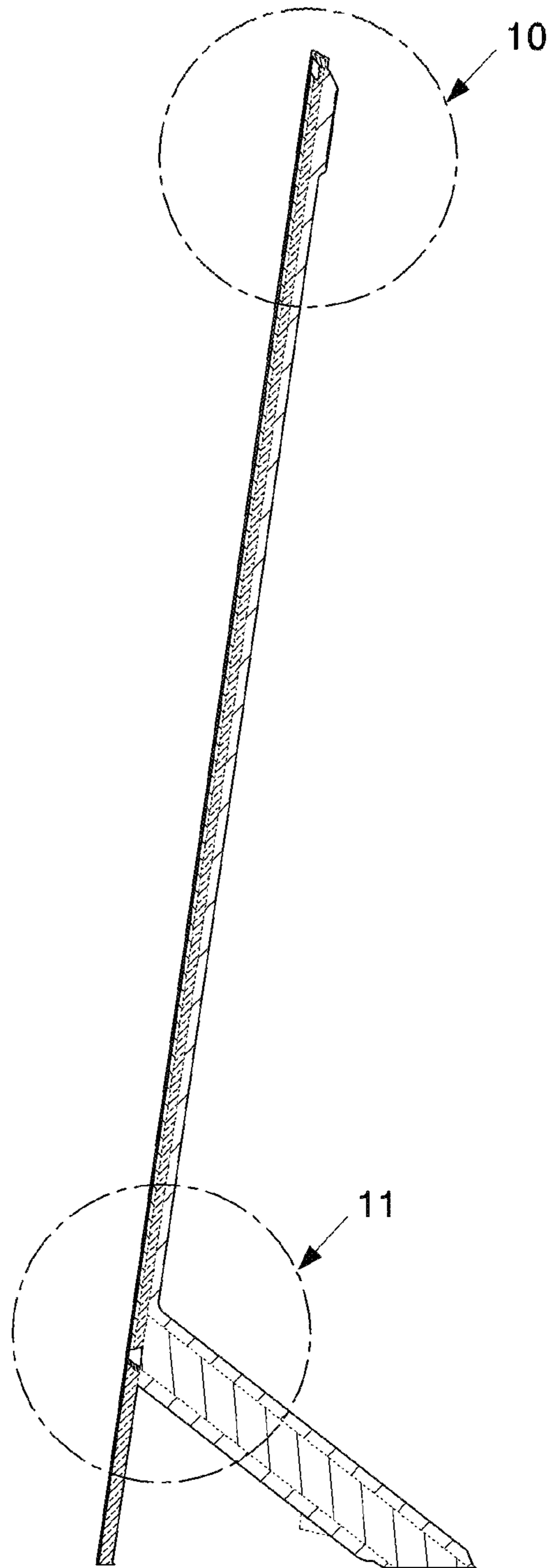


FIG. 10

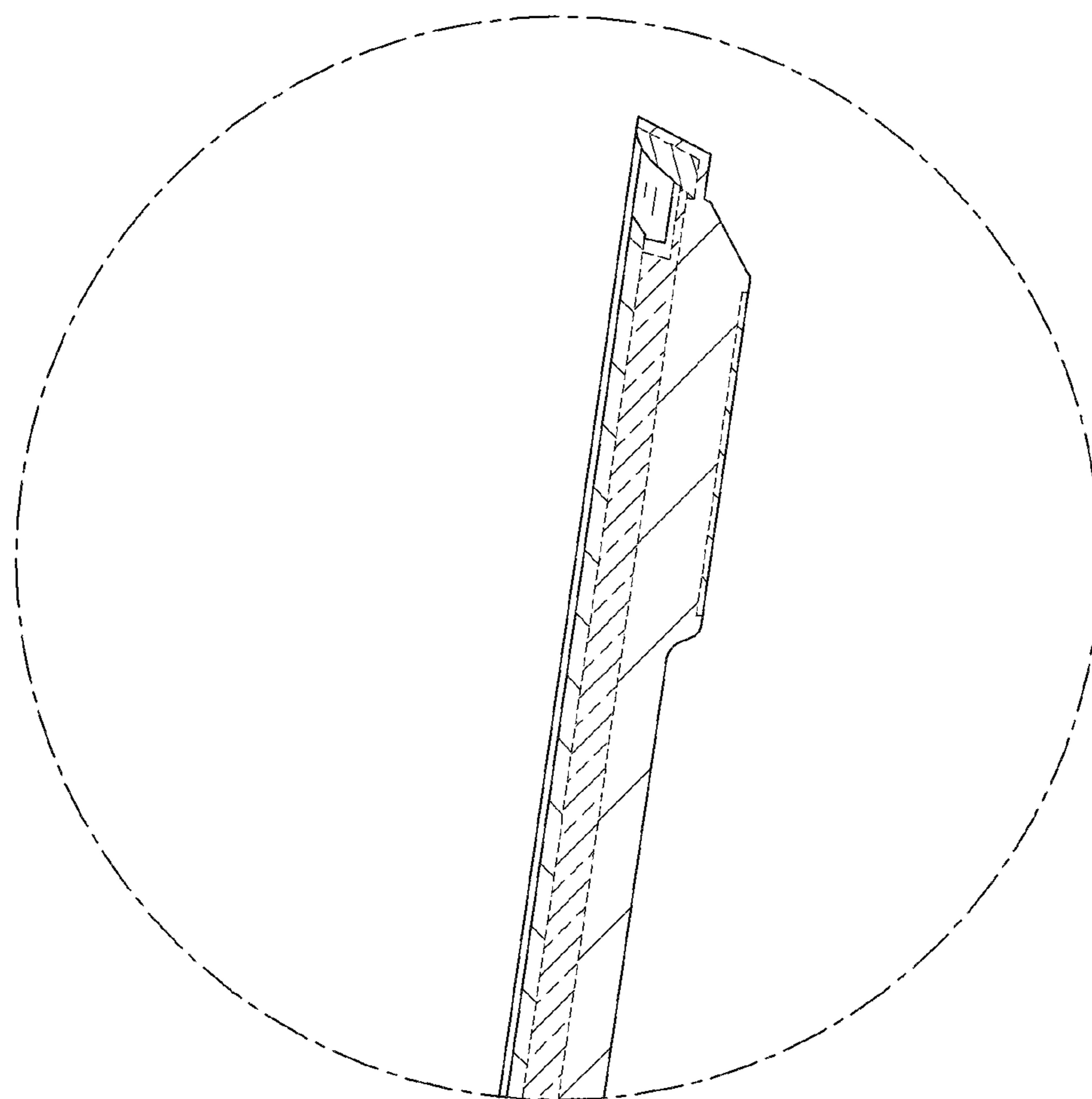


FIG. 11

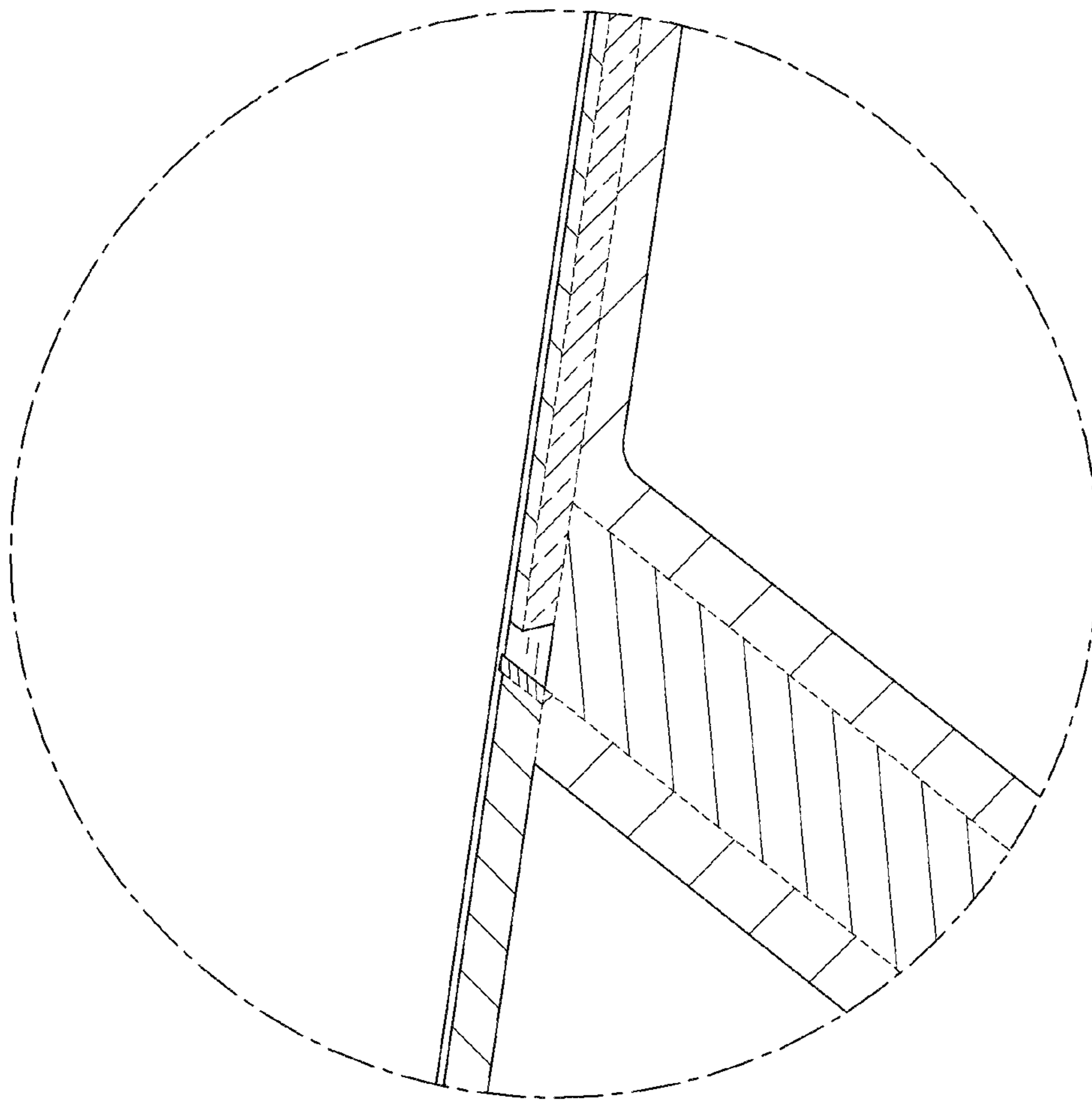


FIG. 12

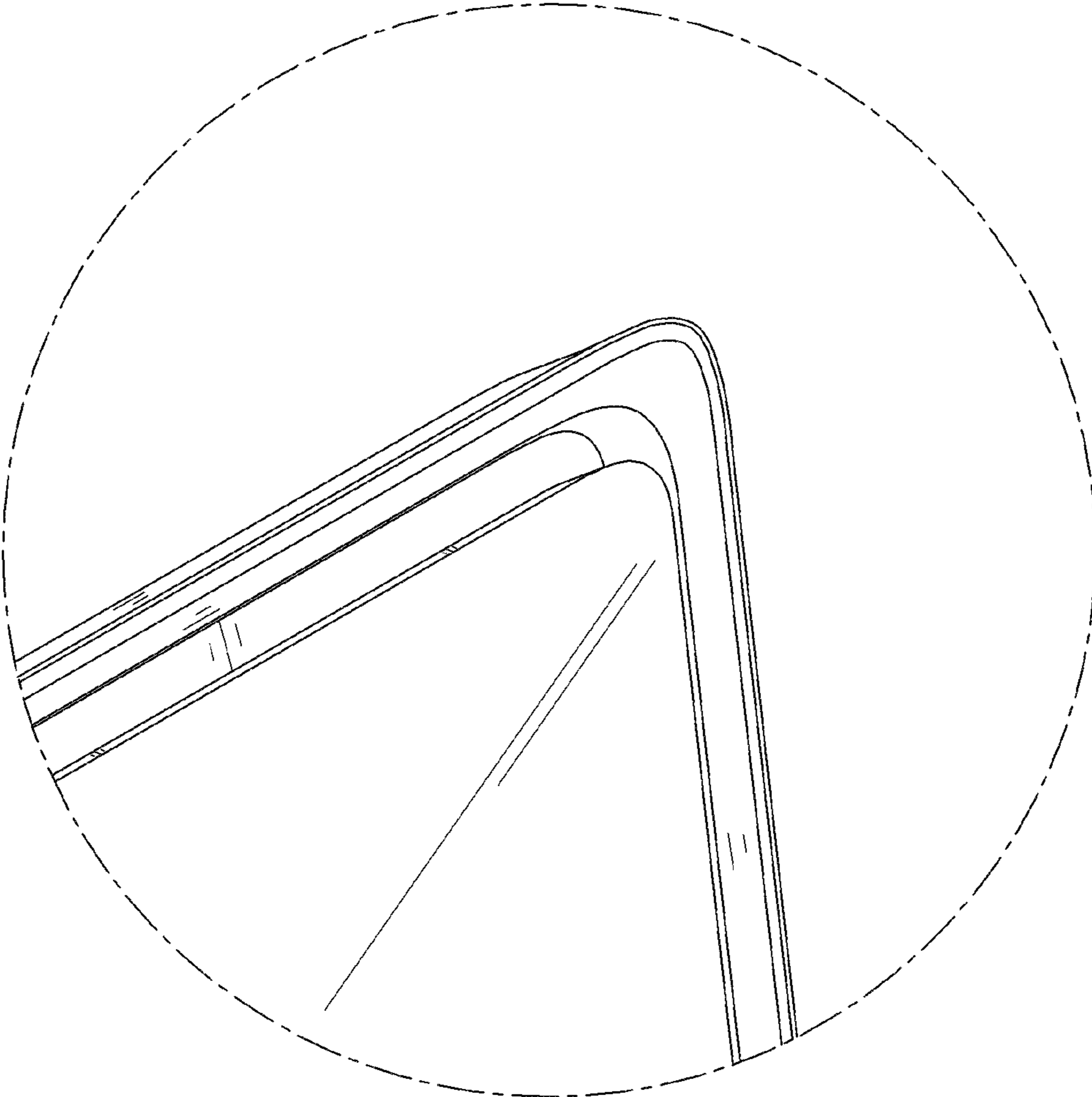


FIG. 13

