



US00D753616S

(12) **United States Design Patent**
Sung et al.

(10) **Patent No.:** **US D753,616 S**

(45) **Date of Patent:** **** Apr. 12, 2016**

(54) **TV RECEIVER**

(56) **References Cited**

(71) Applicant: **Samsung Electronics Co., Ltd.**,
Suwon-si (KR)

(72) Inventors: **Yuli Sung**, Goyang-si (KR); **Youngjin Seo**, Seoul (KR); **Chen Cui**, Shanghai (CN)

(73) Assignee: **Samsung Electronics Co., Ltd.**,
Suwon-si (KR)

(**) Term: **14 Years**

(21) Appl. No.: **29/497,512**

(22) Filed: **Jul. 25, 2014**

U.S. PATENT DOCUMENTS

D624,895	S	*	10/2010	Kasuga et al.	D14/126
D648,295	S	*	11/2011	Jung et al.	D14/126
D649,947	S	*	12/2011	Won et al.	D14/126
D653,635	S	*	2/2012	Jeon et al.	D14/126
D656,114	S	*	3/2012	Miyaji	D14/126
D676,006	S	*	2/2013	Choi et al.	D14/126
D682,797	S	*	5/2013	Lee et al.	D14/126
D694,206	S	*	11/2013	Seo et al.	D14/126
D694,209	S	*	11/2013	Cho et al.	D14/126
D699,695	S	*	2/2014	Kim et al.	D14/126
D714,238	S	*	9/2014	Kim	D14/126
D732,494	S	*	6/2015	Kang et al.	D14/126
D734,280	S	*	7/2015	Choi	D14/126

* cited by examiner

Primary Examiner — Raphael Barkai
(74) *Attorney, Agent, or Firm* — NSIP Law

(30) **Foreign Application Priority Data**
Feb. 10, 2014 (KR) 30-2014-0006513

(51) **LOC (10) Cl.** **14-03**
(52) **U.S. Cl.**
USPC **D14/126**

(58) **Field of Classification Search**
USPC D14/125–134, 239, 371, 136, 374–377,
D14/440, 450, 448, 336, 342, 159; 312/7.2;
348/836, 838, 180, 184, 325, 739;
248/917–924, 465; 345/104, 133, 156,
345/168, 87, 173; D21/329, 515, 577, 622,
D21/333, 433, 448, 452, 450, 331, 505;
D10/15, 26; 446/484, 175, 356;
D6/477, 479, 300
CPC ... G06F 1/1601; G06F 1/1643; H05K 5/0004;
H05K 5/0017; H05K 5/02; H05K 5/0217
See application file for complete search history.

(57) **CLAIM**
We claim the ornamental design for a TV receiver, as shown and described.

DESCRIPTION

FIG. 1 is a front perspective view of a TV receiver showing our new design;
FIG. 2 is a front view thereof;
FIG. 3 is a rear view thereof;
FIG. 4 is a left-side view thereof;
FIG. 5 is a right-side view thereof;
FIG. 6 is a top view thereof;
FIG. 7 is a bottom view thereof; and,
FIG. 8 is a cross-sectional view taken through line 8-8 of FIG. 2.
The broken lines in the figures show portions of the TV receiver which form no part of the claimed design.

1 Claim, 8 Drawing Sheets

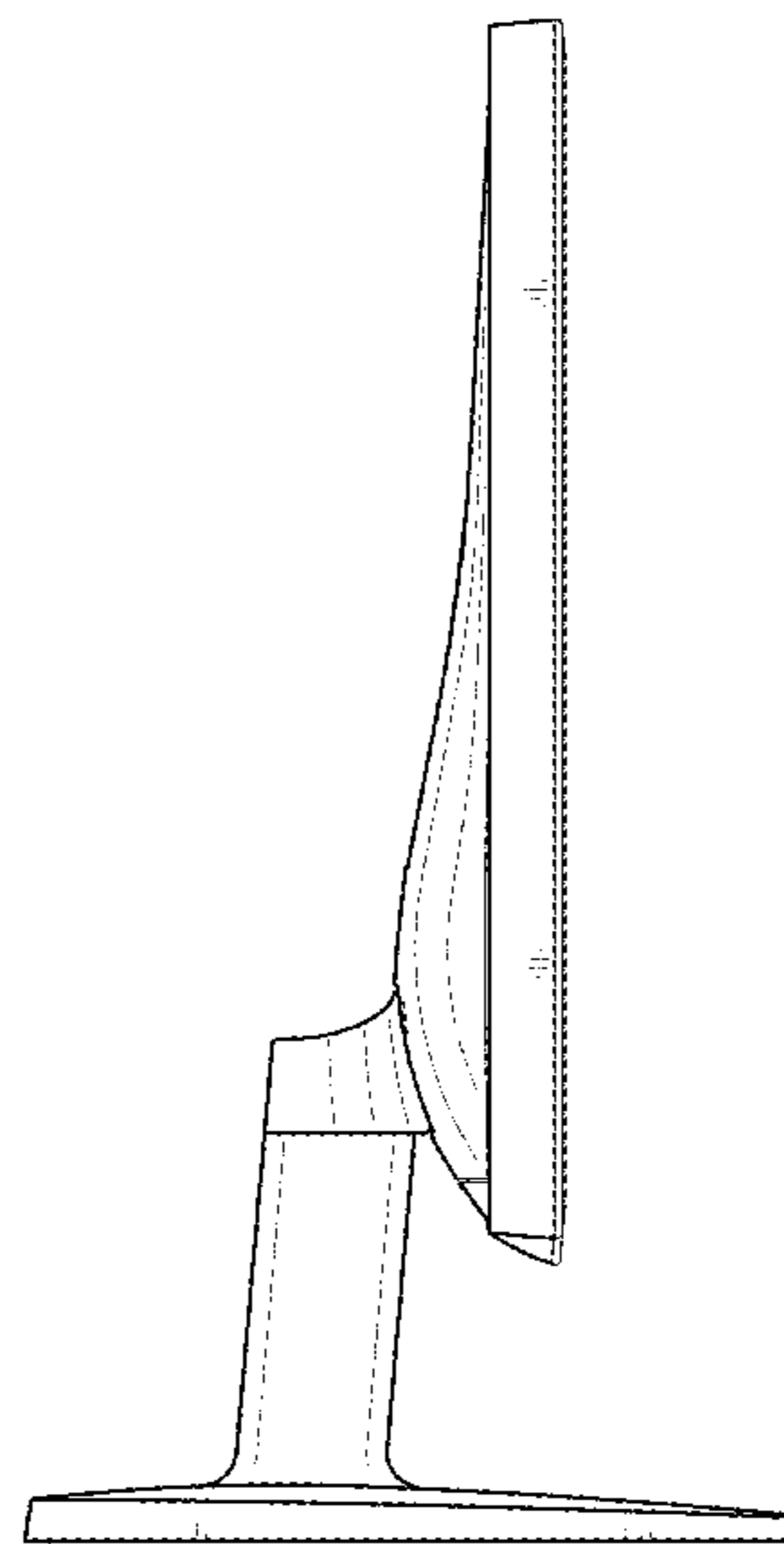
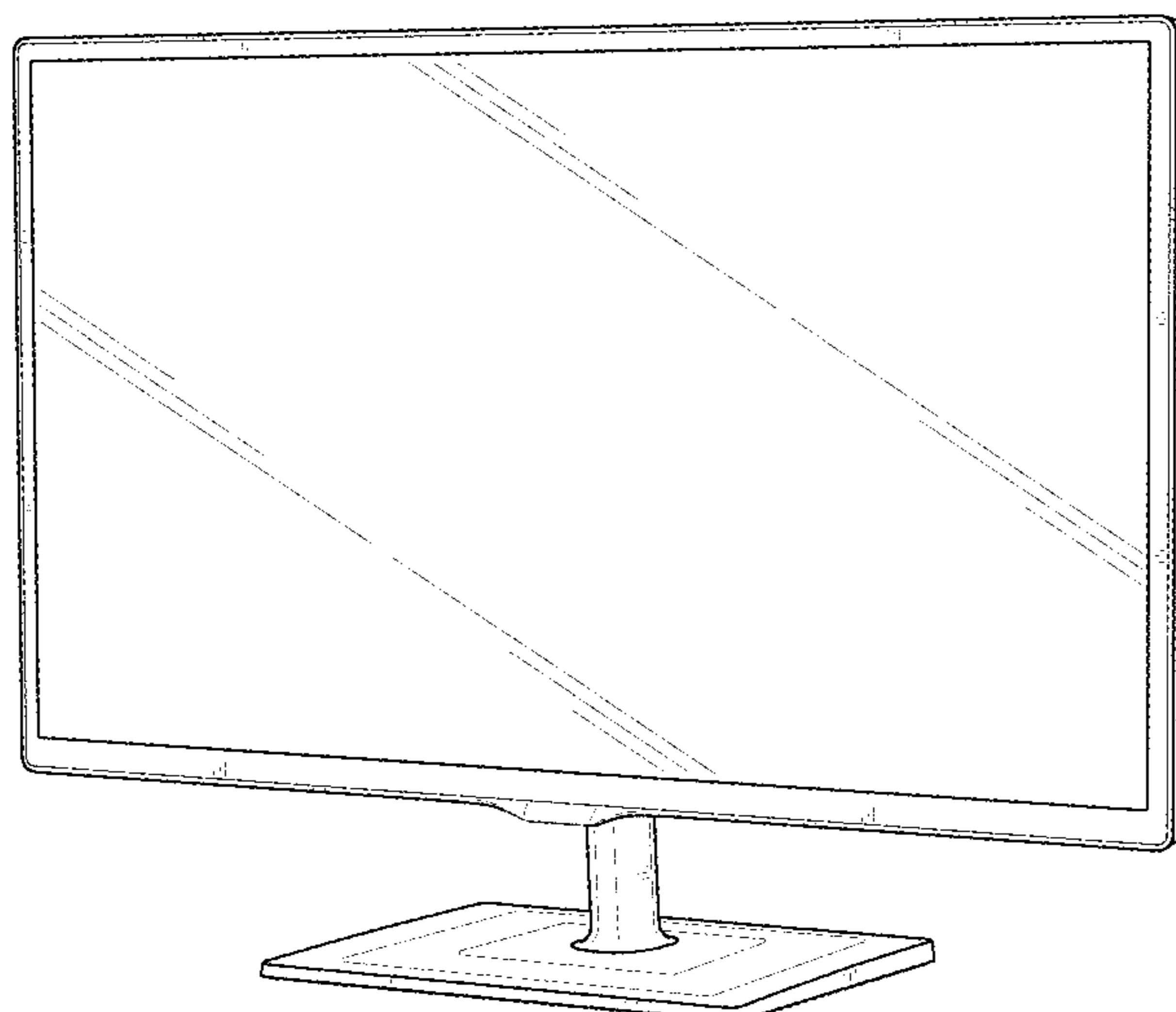


FIG. 1

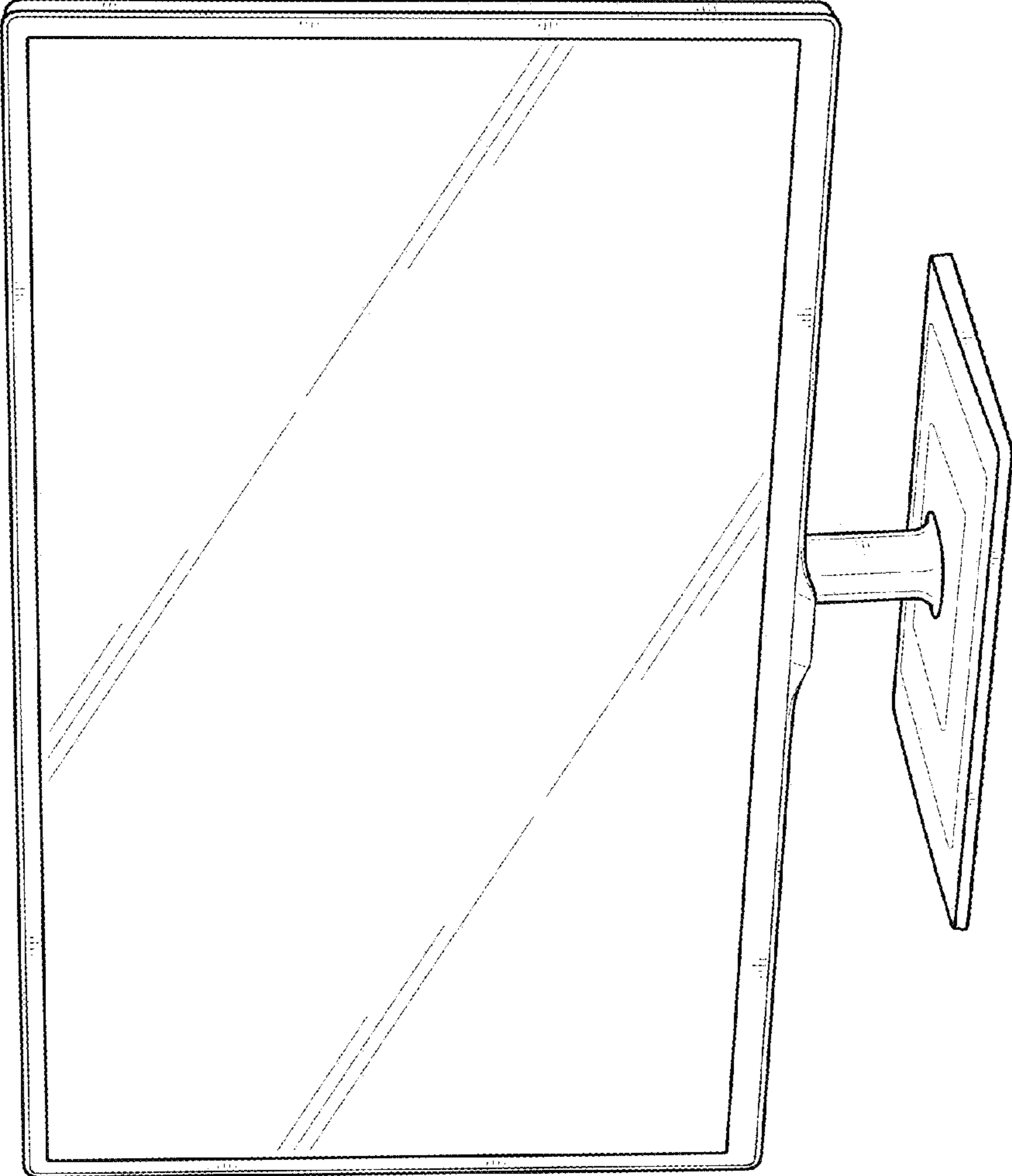


FIG. 2

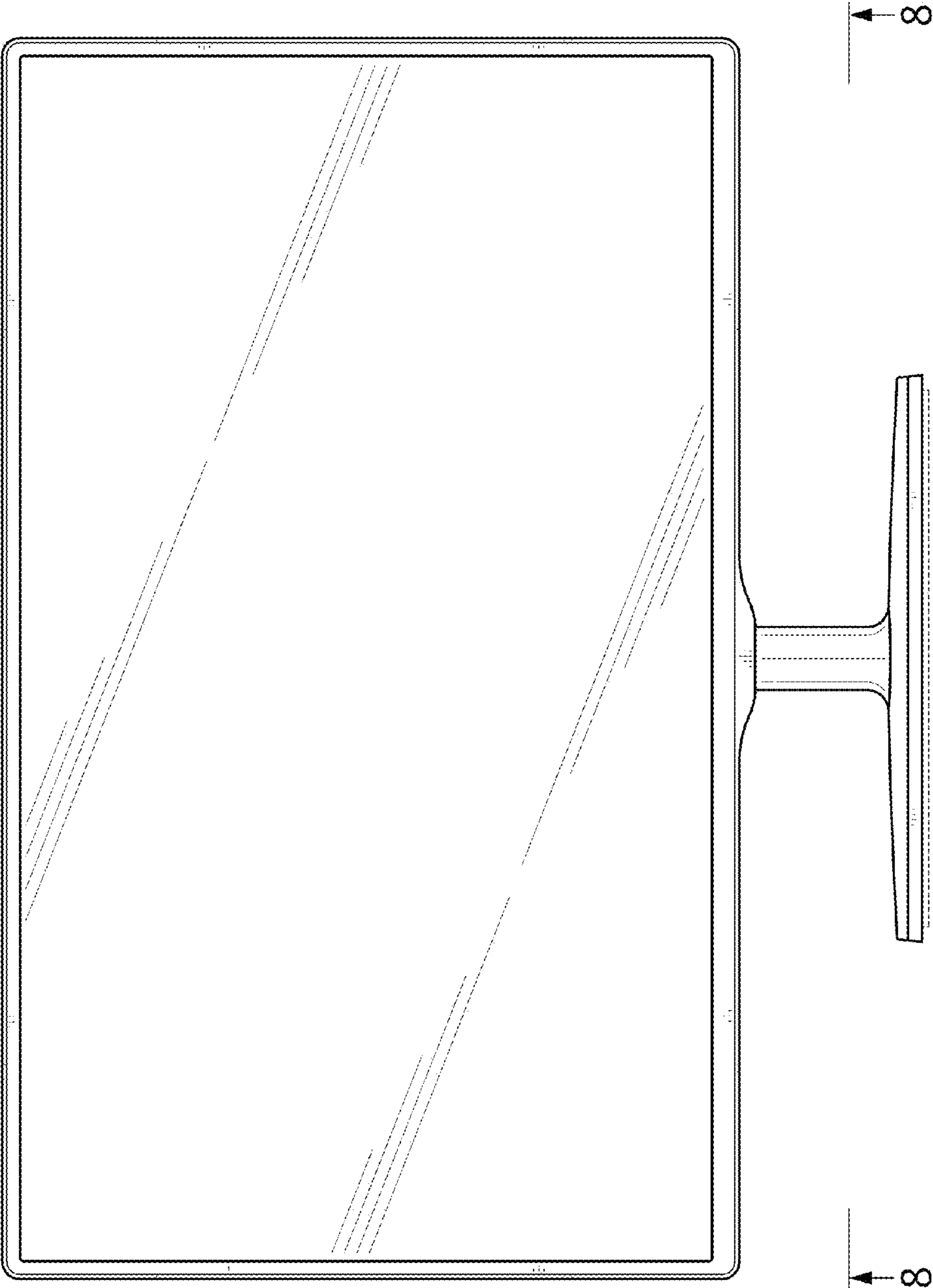


FIG. 3

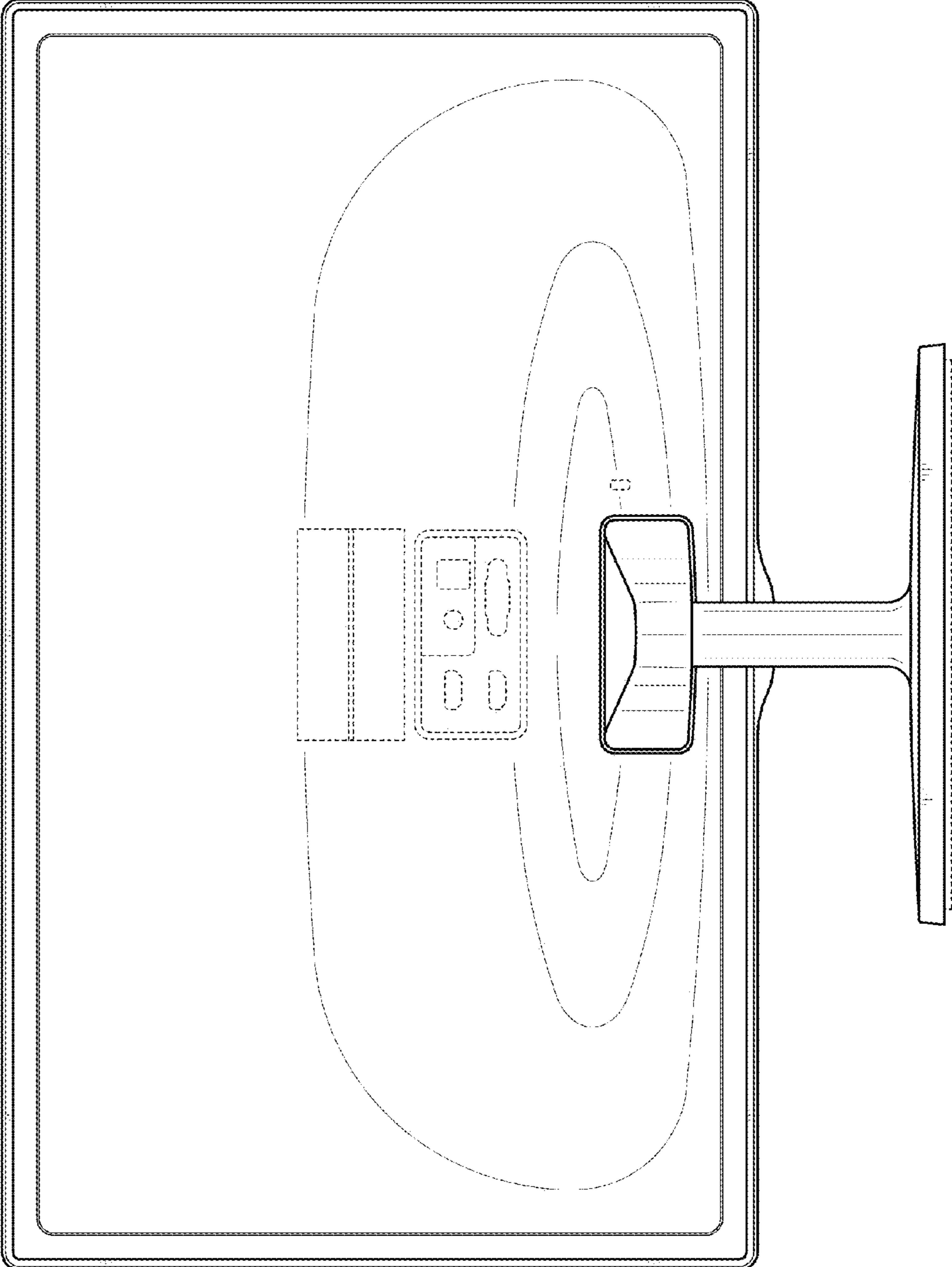


FIG. 4

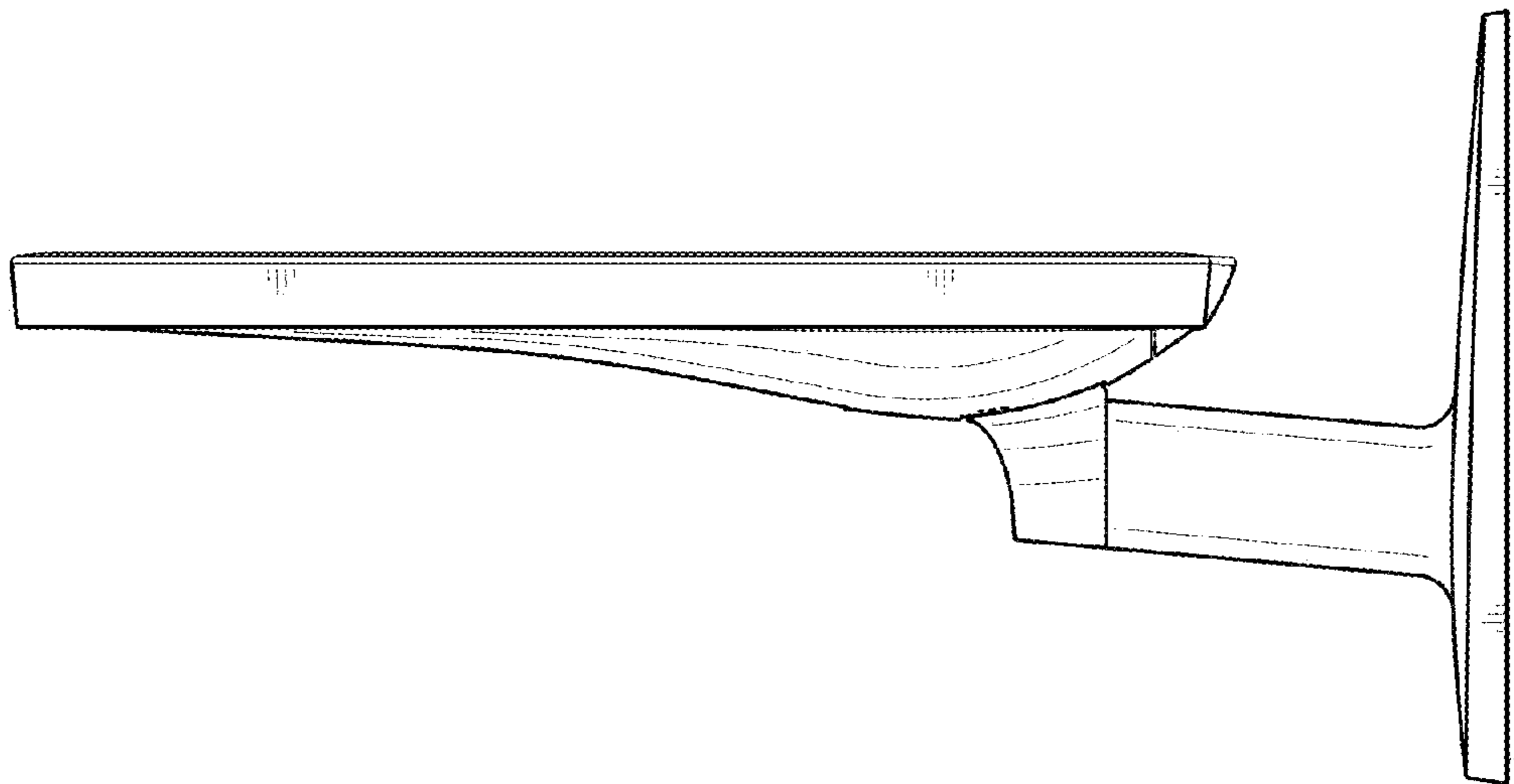


FIG. 5

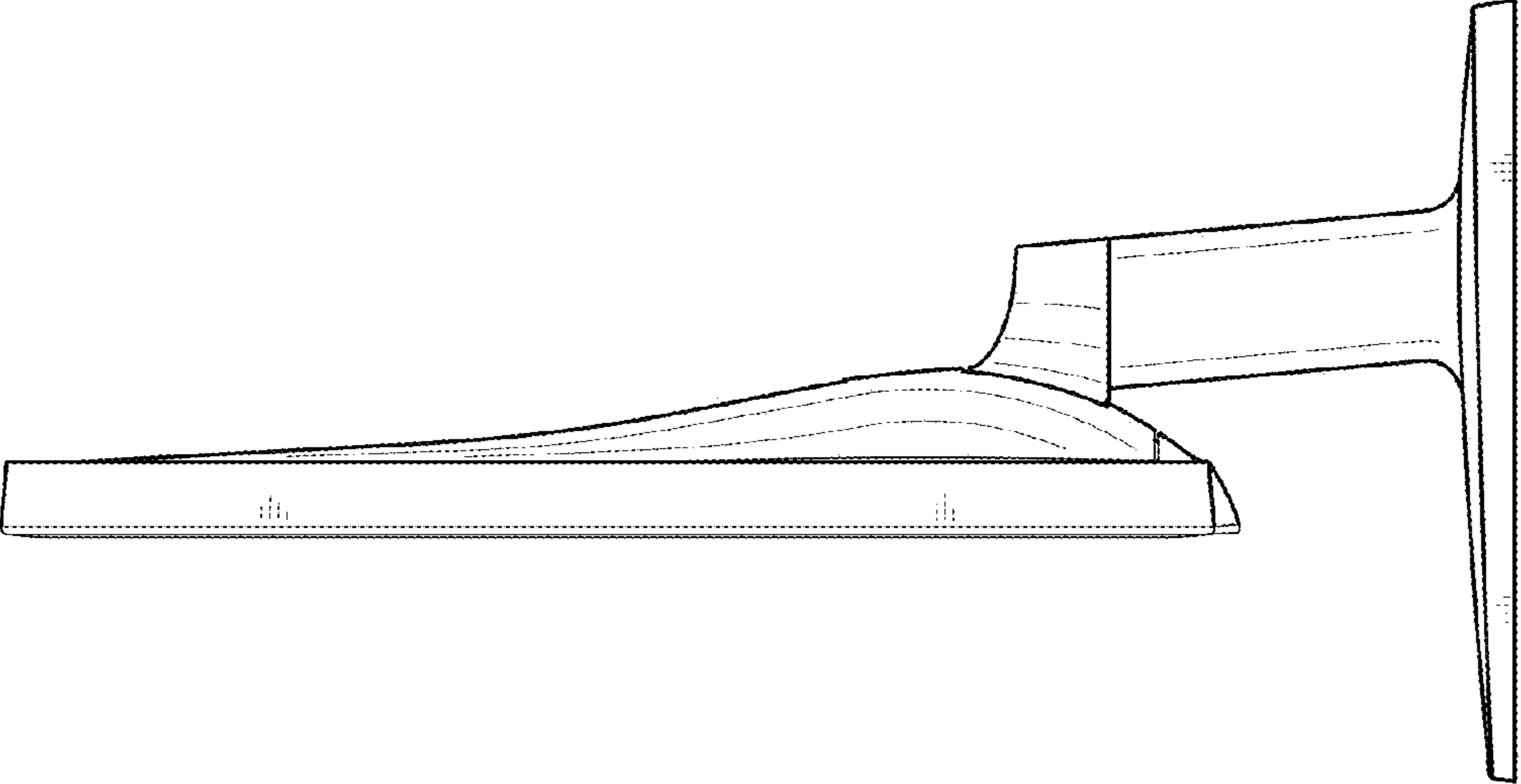


FIG. 6

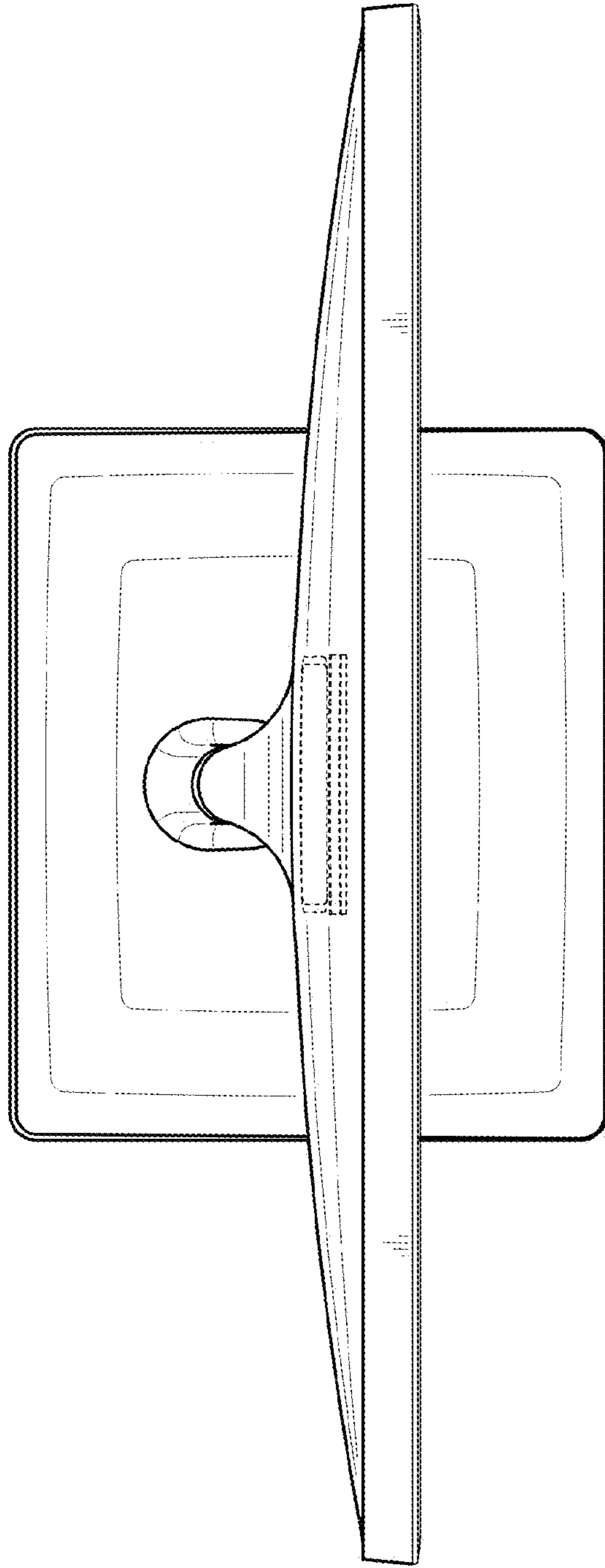


FIG. 7

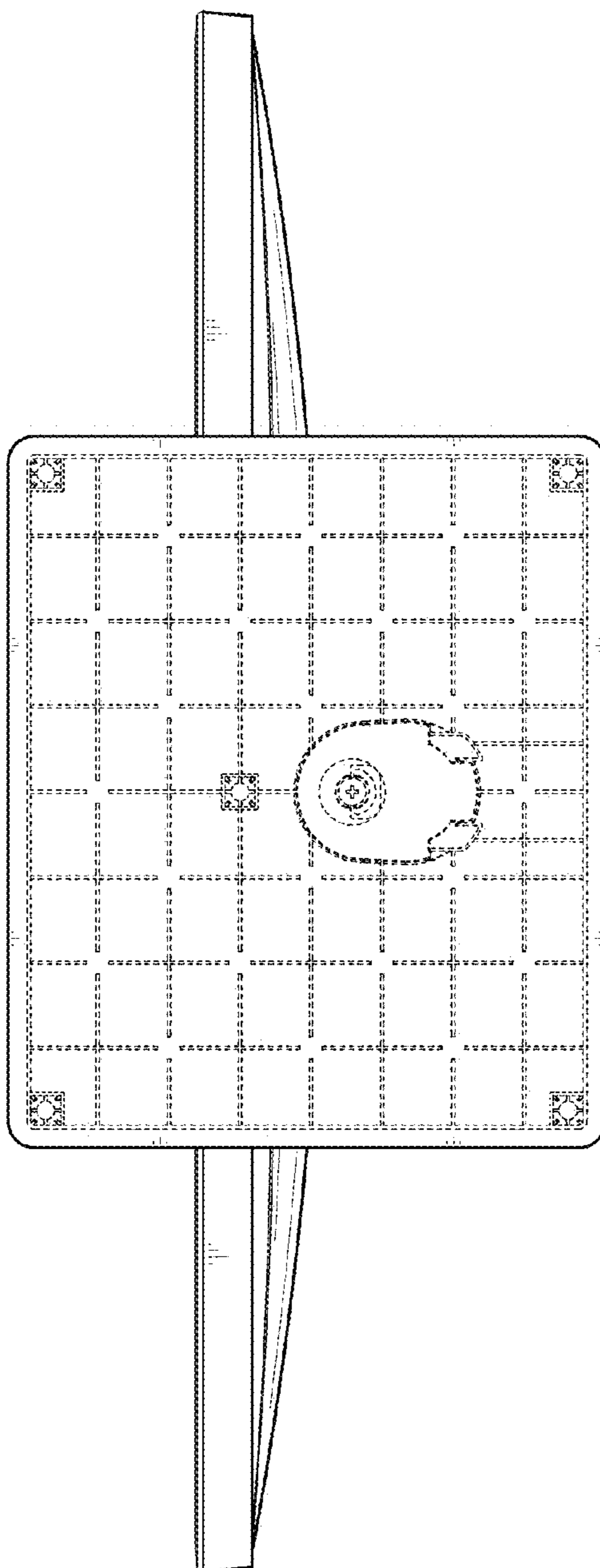


FIG. 8

