



US00D753614S

(12) **United States Design Patent**
Xiang et al.

(10) **Patent No.:** **US D753,614 S**
(45) **Date of Patent:** **** Apr. 12, 2016**

(54) **FLAT PANEL DISPLAY STAND BASE WITH
NEGATIVE ION GENERATOR**

(56) **References Cited**

(71) Applicant: **LOCTEK VISUAL TECHNOLOGY
CORP., Ningbo (CN)**

U.S. PATENT DOCUMENTS

(72) Inventors: **Lehong Xiang, Ningbo (CN); Qiang
Chen, Ningbo (CN); Yi Ni, Ningbo (CN)**

D588,117 S *	3/2009	Arai	D14/239
D588,602 S *	3/2009	Chao et al.	D14/451
D591,449 S *	4/2009	Schuyler	D26/154
D638,022 S *	5/2011	Kasuga et al.	D14/451
D681,647 S *	5/2013	Choi	D14/451
D692,009 S *	10/2013	Ashida et al.	D14/447

(73) Assignee: **LOCTEK VISUAL TECHNOLOGY
CORP. (CN)**

* cited by examiner

(**) Term: **14 Years**

Primary Examiner — Randall Gholson

(21) Appl. No.: **29/486,639**

(74) *Attorney, Agent, or Firm* — Marger Johnson

(22) Filed: **Apr. 1, 2014**

(57) **CLAIM**

The ornamental design for a flat panel display stand base with negative ion generator, as shown and described.

(30) **Foreign Application Priority Data**

DESCRIPTION

Oct. 31, 2013 (CN) 2013 3 0519616

(51) **LOC (10) Cl.** **14-03**

(52) **U.S. Cl.**
USPC **D14/125**

(58) **Field of Classification Search**
USPC D14/125, 357-358, 496, 188, 242, 432;
D13/184; 348/10, 460, 706, 731;
340/825.03; 455/6.1, 6.2; 312/223.1,
312/7.2
CPC H04N 1/00; H04N 7/00; H05K 5/00;
H05K 5/02

FIG. 1 is a front view of a flat panel display stand base with negative ion generator;
FIG. 2 is a back view thereof;
FIG. 3 is a top view thereof;
FIG. 4 is a bottom view thereof;
FIG. 5 is a left view thereof;
FIG. 6 is a right view thereof; and,
FIG. 7 is a perspective view thereof.

The broken lines depict portions of the flat panel display stand base with negative ion generator that form no part of the claimed design.

See application file for complete search history.

1 Claim, 5 Drawing Sheets

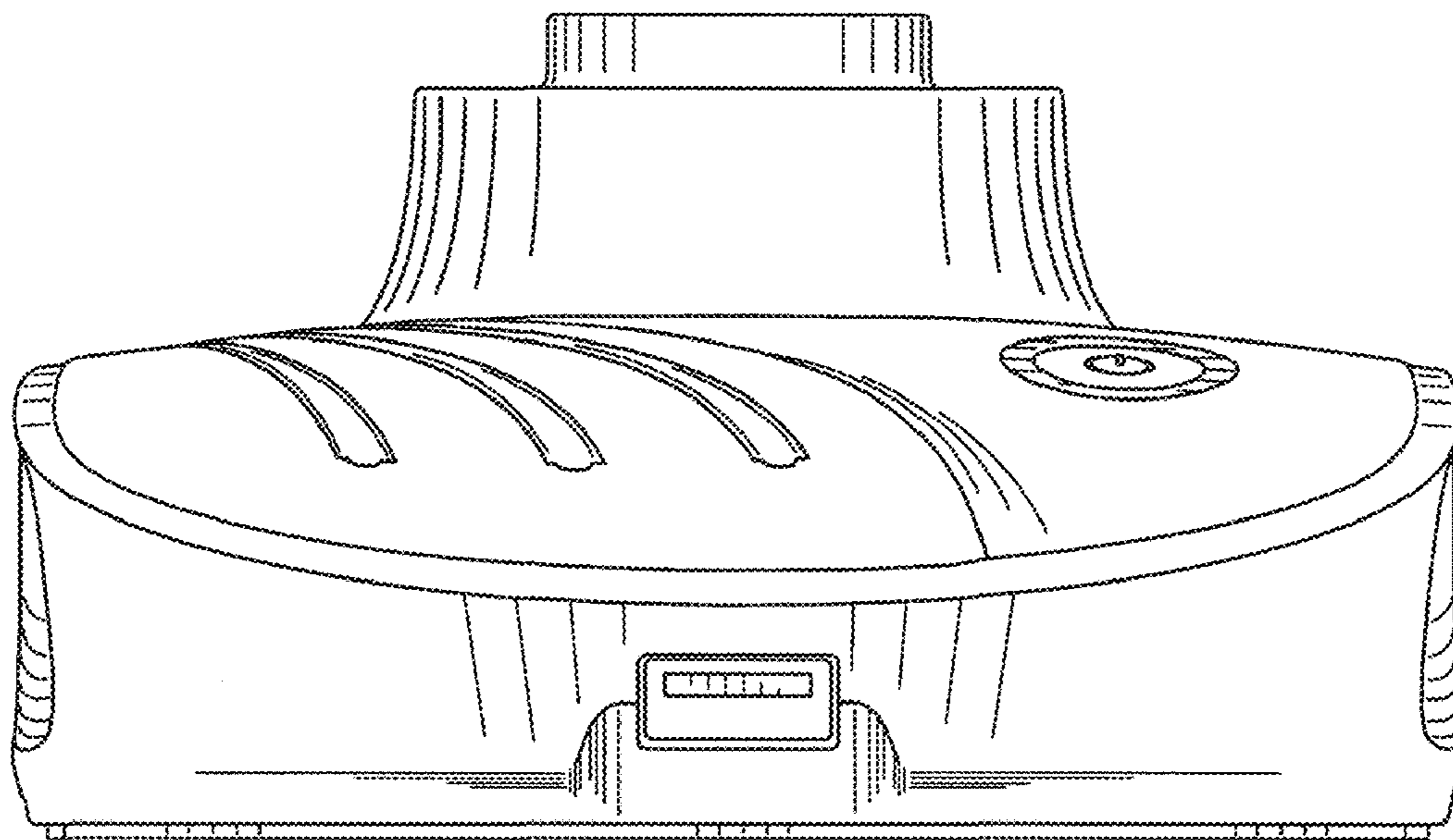


Fig. 1

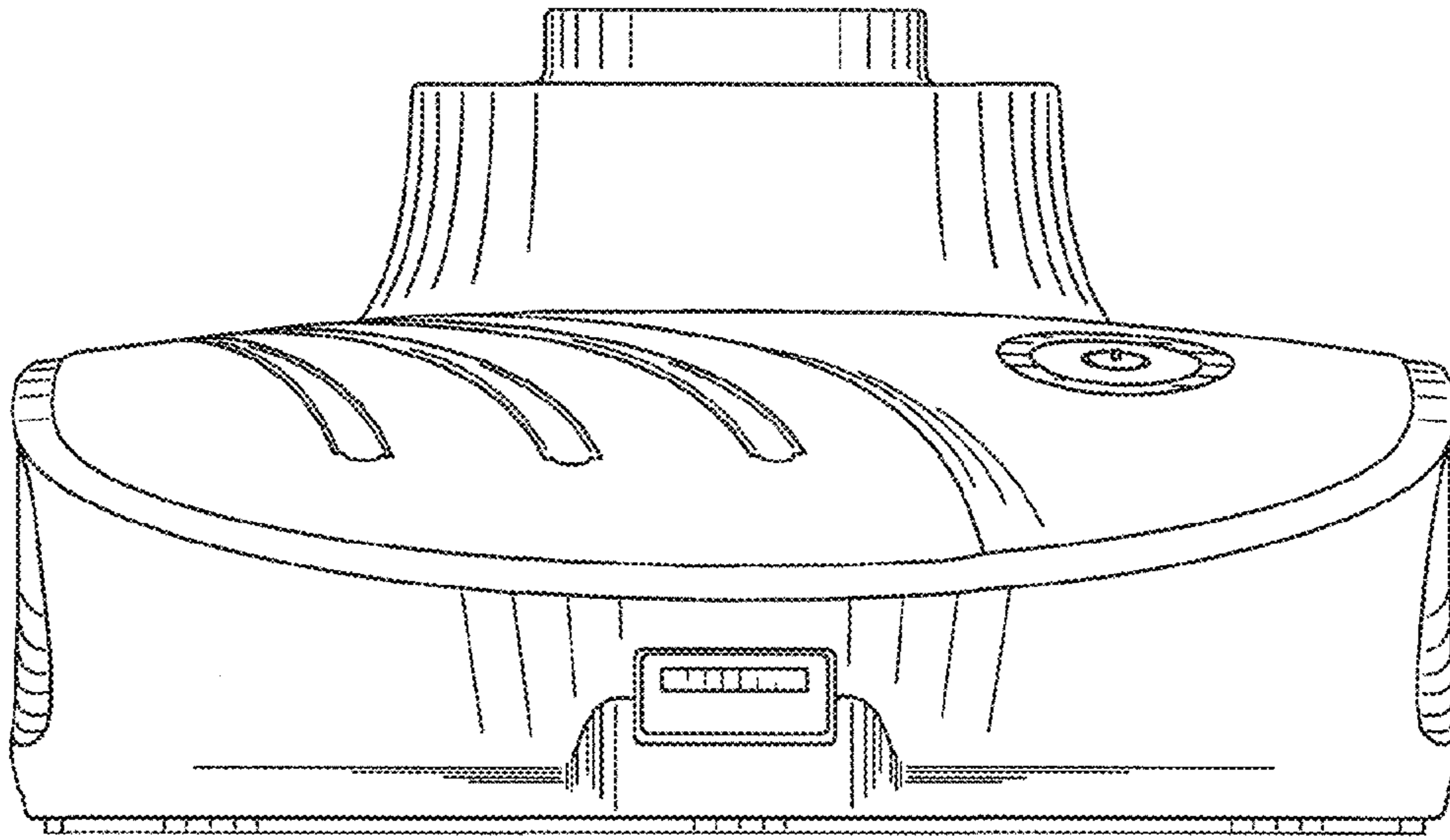


Fig. 2

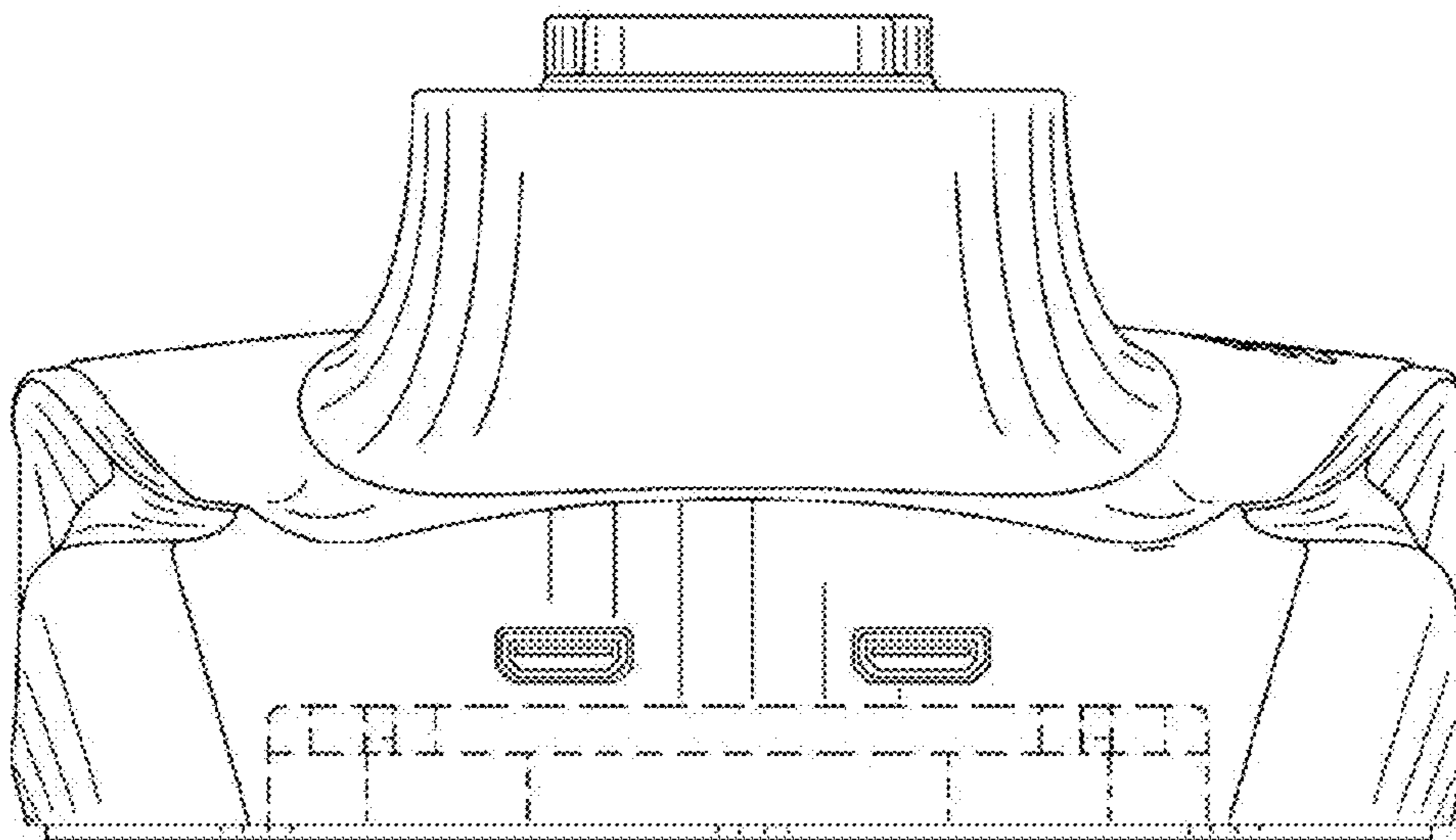


Fig. 3

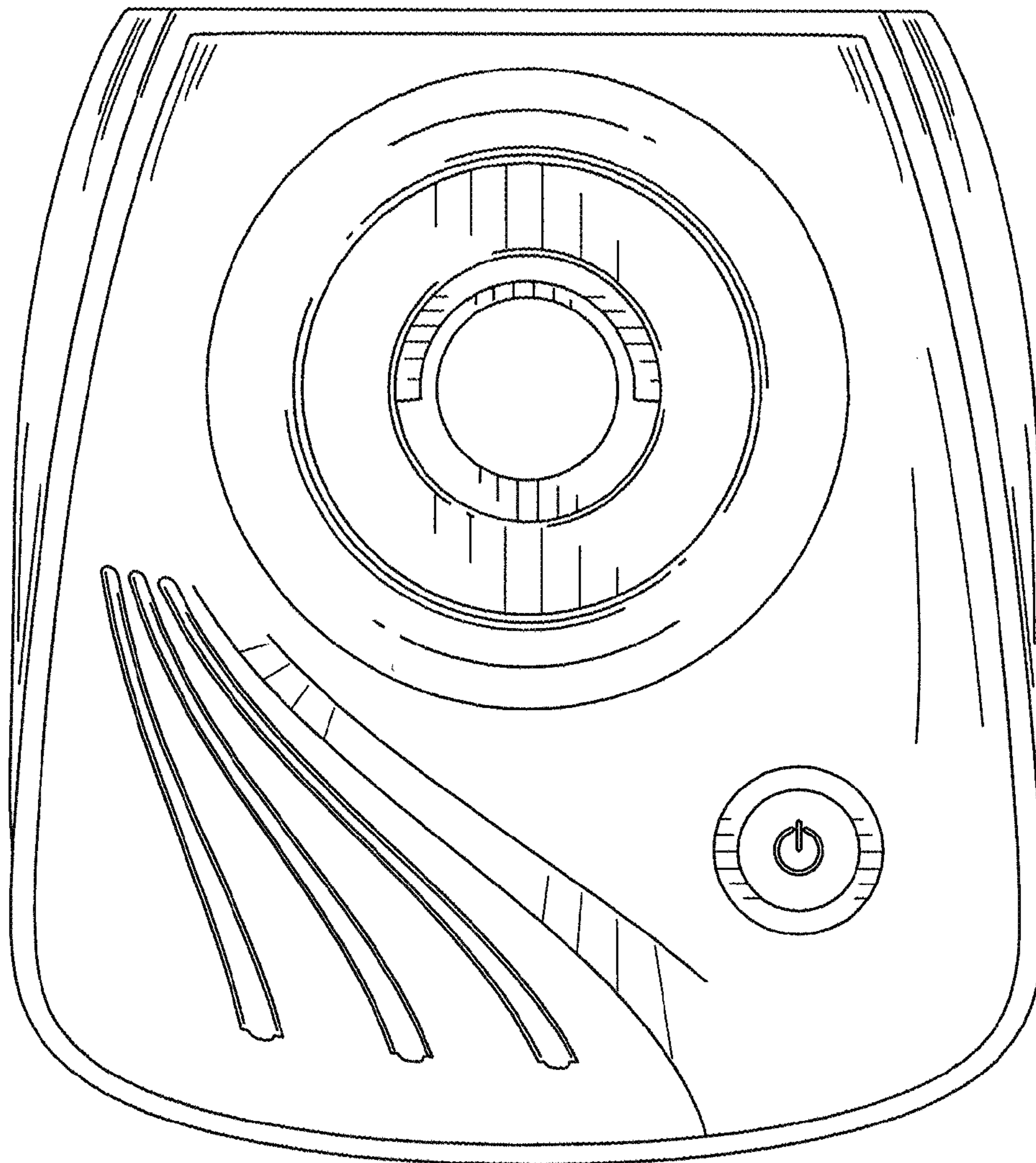


Fig. 4

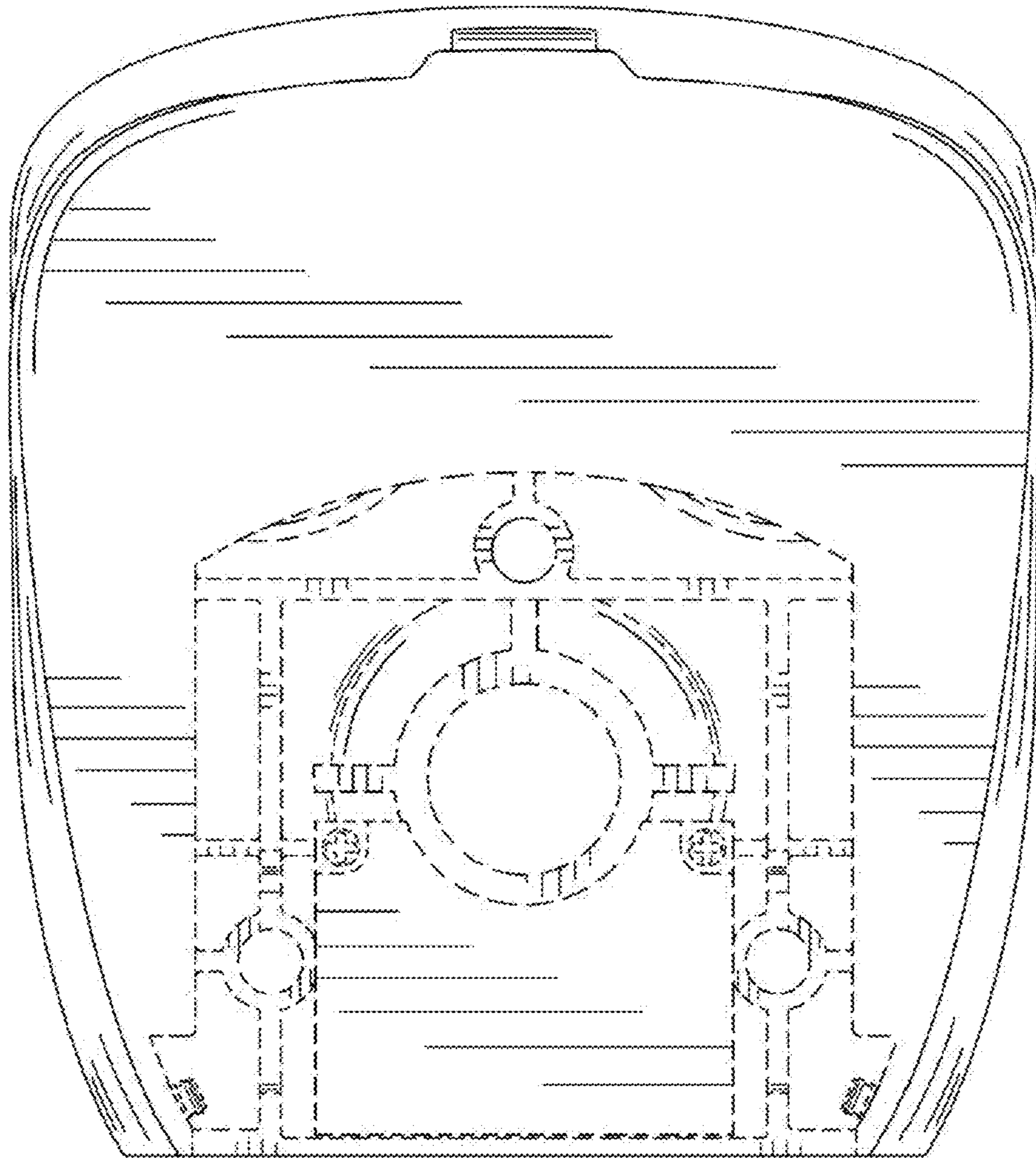


Fig. 5

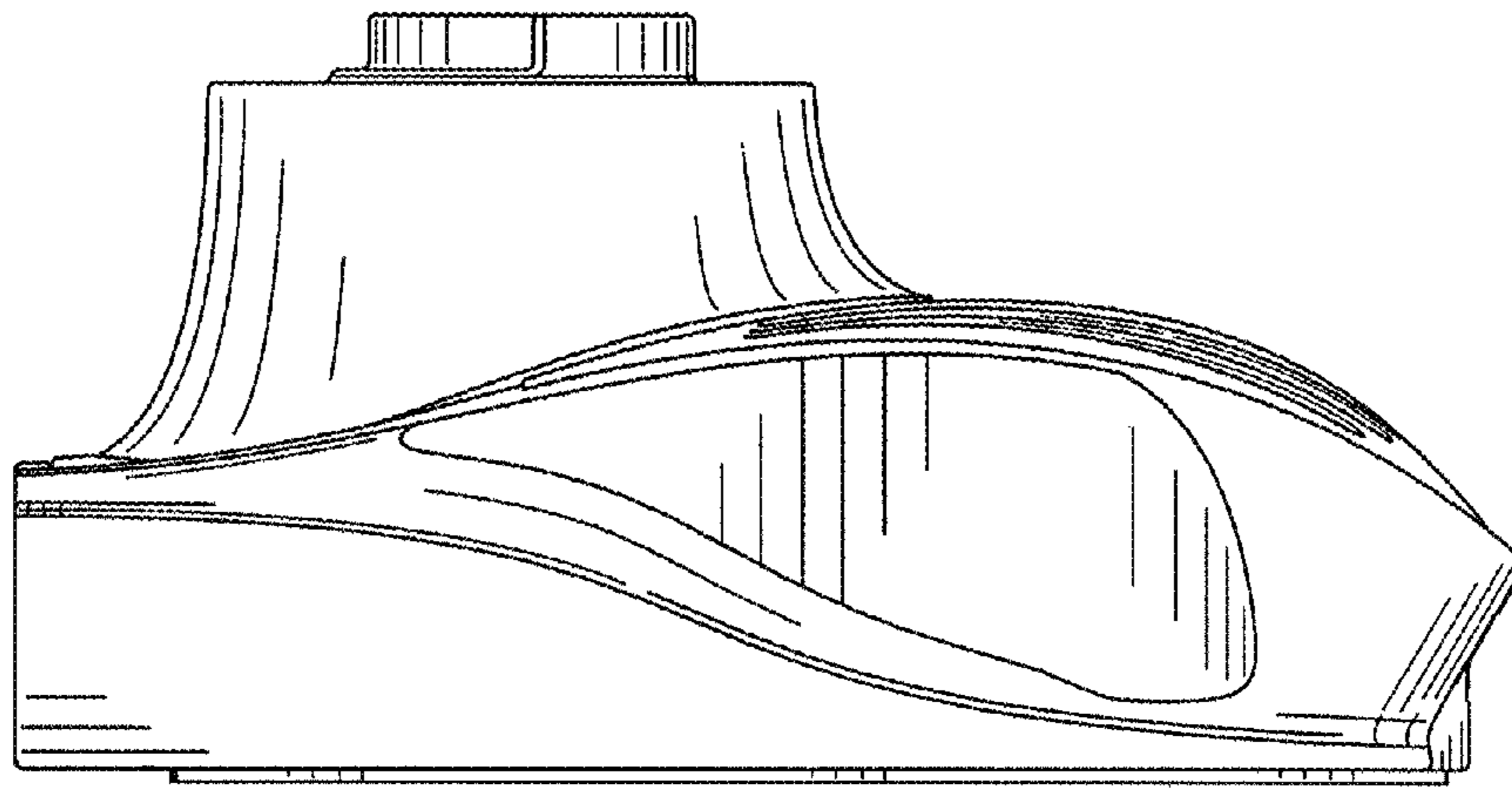


Fig. 6

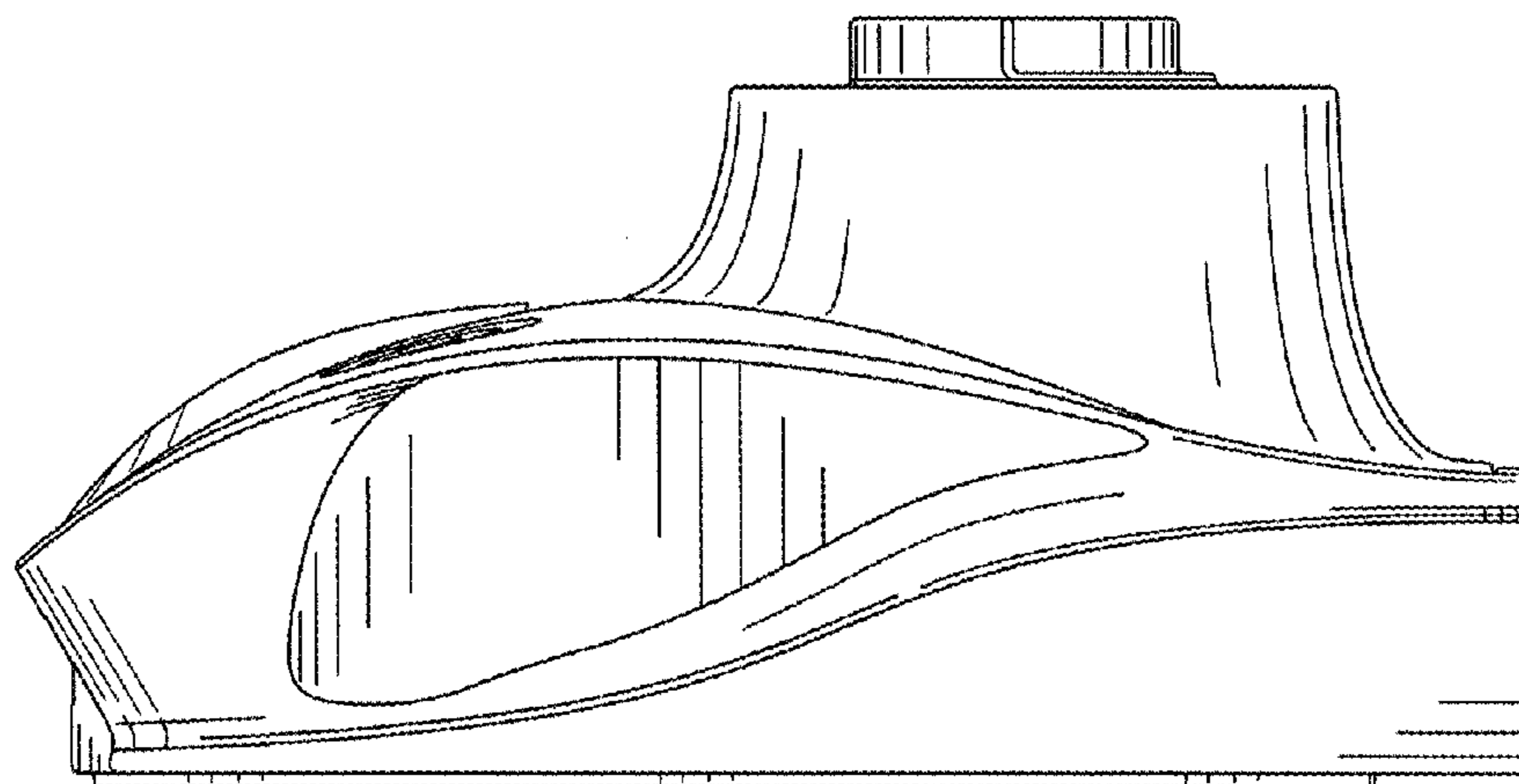


Fig. 7

