



US00D753612S

(12) **United States Design Patent**
Hussell et al.

(10) **Patent No.:** **US D753,612 S**
(45) **Date of Patent:** **** Apr. 12, 2016**

(54) **LIGHT EMITTER DEVICE**
(75) Inventors: **Christopher P. Hussell**, Cary, NC (US);
Peter Scott Andrews, Durham, NC
(US); **Erin Welch**, Chapel Hill, NC
(US); **Andrew Signor**, Haw River, NC
(US)

6,933,223 B1 8/2005 Soon et al.
7,086,148 B2 * 8/2006 Bambridge et al. 29/843
7,135,034 B2 * 11/2006 Friedman et al. 607/88
7,443,042 B2 * 10/2008 Bambridge et al. 257/784
7,445,354 B2 * 11/2008 Aoki et al. 362/241
7,547,626 B2 * 6/2009 Kwak 438/617
D615,504 S * 5/2010 Keller D13/180
7,750,361 B2 * 7/2010 Watanabe 257/99
7,815,343 B2 * 10/2010 Nii et al. 362/311.03

(73) Assignee: **Cree, Inc.**, Durham, NC (US)

(Continued)

(**) Term: **14 Years**

OTHER PUBLICATIONS

(21) Appl. No.: **29/431,542**

Non-Final Office Action in U.S. Appl. No. 13/607,217 dated Feb. 24, 2014.

(22) Filed: **Sep. 7, 2012**

(Continued)

(51) **LOC (10) Cl.** **13-03**

Primary Examiner — Selina Sikder

(52) **U.S. Cl.**
USPC **D13/180**

(74) *Attorney, Agent, or Firm* — Jenkins, Wilson, Taylor & Hunt, P.A.

(58) **Field of Classification Search**
USPC D13/180; 257/79, 80, 81, 88, 89, 95,
257/98, 99, 100, E33.058; 313/483, 498,
313/500; 362/249.01, 49.02, 555
See application file for complete search history.

(57) **CLAIM**
The ornamental design for an improved wire bond for light emitter devices, as shown and described.

DESCRIPTION

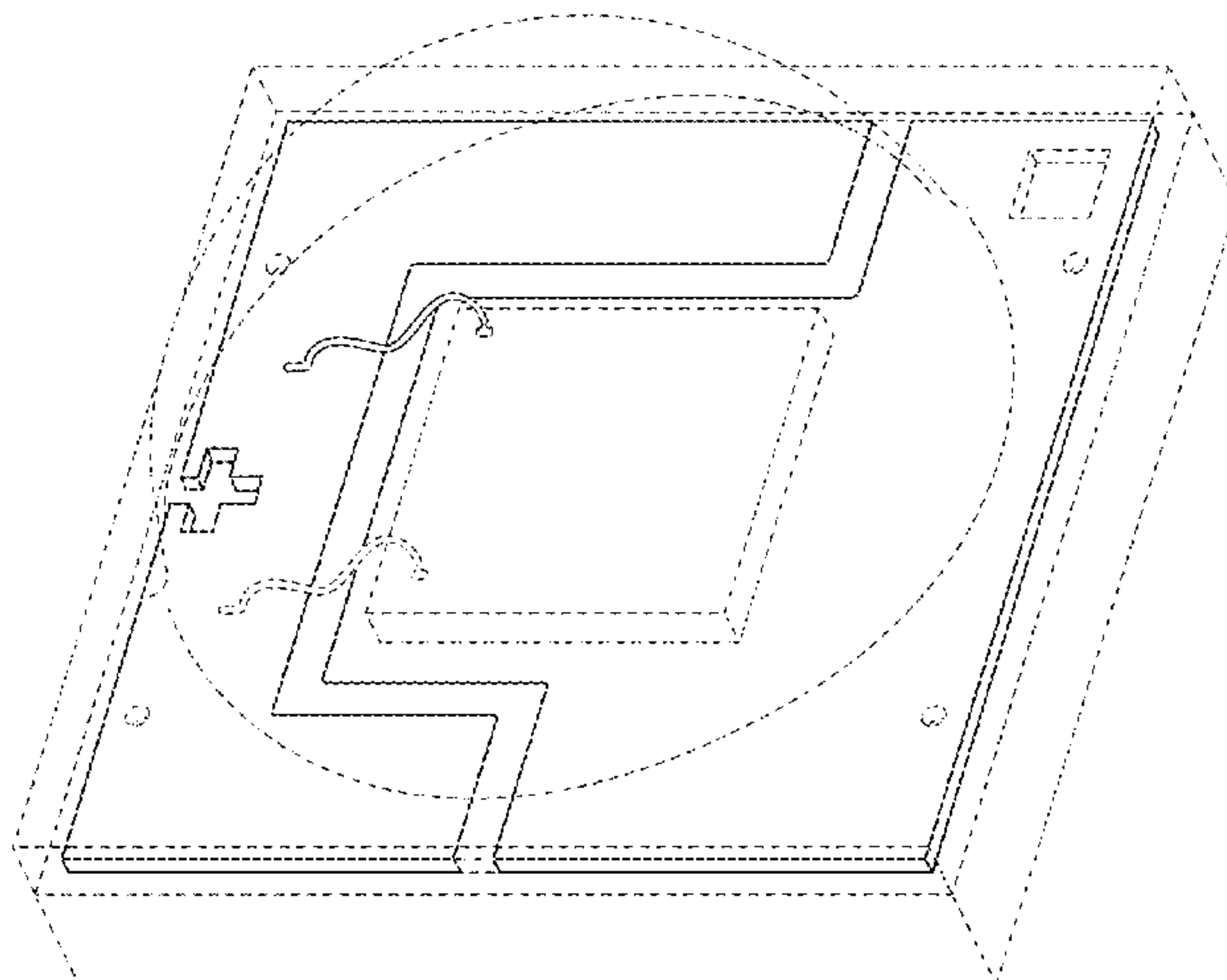
(56) **References Cited**

U.S. PATENT DOCUMENTS

4,327,860 A * 5/1982 Kirshenboin et al. 228/180.5
4,437,604 A 3/1984 Razon et al.
4,445,633 A 5/1984 Bonham, Jr.
H445 H 3/1988 Bock et al.
4,932,584 A 6/1990 Yamazaki et al.
5,612,549 A * 3/1997 Nelson et al. 257/88
5,760,422 A * 6/1998 Ishinaga 257/94
5,938,105 A 8/1999 Singh
6,010,057 A * 1/2000 Egger et al. 228/102
6,065,667 A 5/2000 Singh
6,119,926 A * 9/2000 Egger et al. 228/180.5
6,180,962 B1 * 1/2001 Ishinaga 257/99
6,244,499 B1 6/2001 Tsai et al.
6,315,190 B1 * 11/2001 Nishiura 228/180.5
6,391,759 B1 * 5/2002 Chao et al. 438/617
6,489,637 B1 * 12/2002 Sakamoto et al. 257/98
6,640,436 B1 * 11/2003 Kimura et al. 29/867

FIG. 1 is a top perspective view of an improved wire bond for light emitter devices showing our design;
FIG. 2 is a top plan view thereof;
FIG. 3 is a bottom plan view thereof;
FIG. 4 is a first side view thereof;
FIG. 5 is a second side view thereof;
FIG. 6 is a third view thereof, opposite the view of FIG. 4; and,
FIG. 7 is a fourth side view thereof, opposite the view of FIG. 5.
The dashed broken lines are included for the purpose of illustrating environment of the design and form no part of the claimed design. The dot-dash broken lines represent boundaries of the claimed design. None of the broken lines form part of the claimed design.

1 Claim, 4 Drawing Sheets



(56)

References Cited

U.S. PATENT DOCUMENTS

8,022,431 B2 * 9/2011 Kaneko et al. 257/99
 D650,343 S * 12/2011 Andrews D13/180
 8,084,777 B2 12/2011 Posselt
 D658,139 S * 4/2012 Andrews D13/180
 D660,257 S * 5/2012 Andrews D13/180
 D660,258 S * 5/2012 Hsu D13/180
 D675,169 S * 1/2013 Chou D13/180
 8,519,426 B2 * 8/2013 Lee 257/99
 D689,209 S * 9/2013 Donofrio D13/180
 D689,210 S * 9/2013 Donofrio D13/180
 D691,973 S * 10/2013 Donofrio D13/180
 8,648,356 B2 * 2/2014 Colvin et al. 257/79
 D703,348 S * 4/2014 Reiherzer D26/2
 D709,464 S * 7/2014 Abare D13/180
 8,779,567 B2 * 7/2014 Noichi H01L 23/49582
 257/434
 D711,841 S * 8/2014 Britt D13/180
 D713,804 S * 9/2014 Britt D13/180
 8,912,555 B2 * 12/2014 Shao H01L 33/62
 257/91
 9,112,126 B2 * 8/2015 Moon G02F 1/133603
 D741,821 S * 10/2015 Song D13/180
 9,172,012 B2 * 10/2015 Andrews H01L 25/0753
 2004/0262738 A1 * 12/2004 Lee H01L 23/49844
 257/700
 2009/0090928 A1 * 4/2009 Mori et al. 257/99
 2009/0108281 A1 * 4/2009 Keller H01L 33/62
 257/98
 2010/0090330 A1 4/2010 Nakazato
 2010/0176500 A1 7/2010 Hishioka

2010/0224890 A1 * 9/2010 Keller H01L 33/44
 257/93
 2010/0244282 A1 9/2010 Silverbrook et al.
 2011/0062482 A1 * 3/2011 Solomensky H01L 25/0753
 257/99
 2011/0079904 A1 4/2011 Mii et al.
 2011/0089443 A1 * 4/2011 Hsu 257/93
 2011/0220920 A1 * 9/2011 Collins H01L 33/504
 257/88
 2011/0248289 A1 * 10/2011 Hsieh H01L 25/0753
 257/88
 2011/0291154 A1 * 12/2011 Noichi H01L 33/486
 257/99
 2012/0091489 A1 4/2012 Aoki et al.
 2012/0305949 A1 * 12/2012 Donofrio H01L 25/0753
 257/88
 2013/0092960 A1 * 4/2013 Wilcox H01L 33/08
 257/88
 2013/0105835 A1 * 5/2013 Wu H01L 25/0753
 257/89

OTHER PUBLICATIONS

Final Office Action in U.S. Appl. No. 13/607,217 dated Aug. 6, 2014.
 Non-Final Office Action for U.S. Appl. No. 13/607,217 dated Dec. 5, 2014.
 Final Office Action for U.S. Appl. No. 13/607,217 dated May 13, 2015.
 Advisory Action for U.S. Appl. No. 13/607,217 dated Jul. 28, 2015.
 Non-Final Office Action for U.S. Appl. No. 13/607,217 dated Sep. 18, 2015.

* cited by examiner

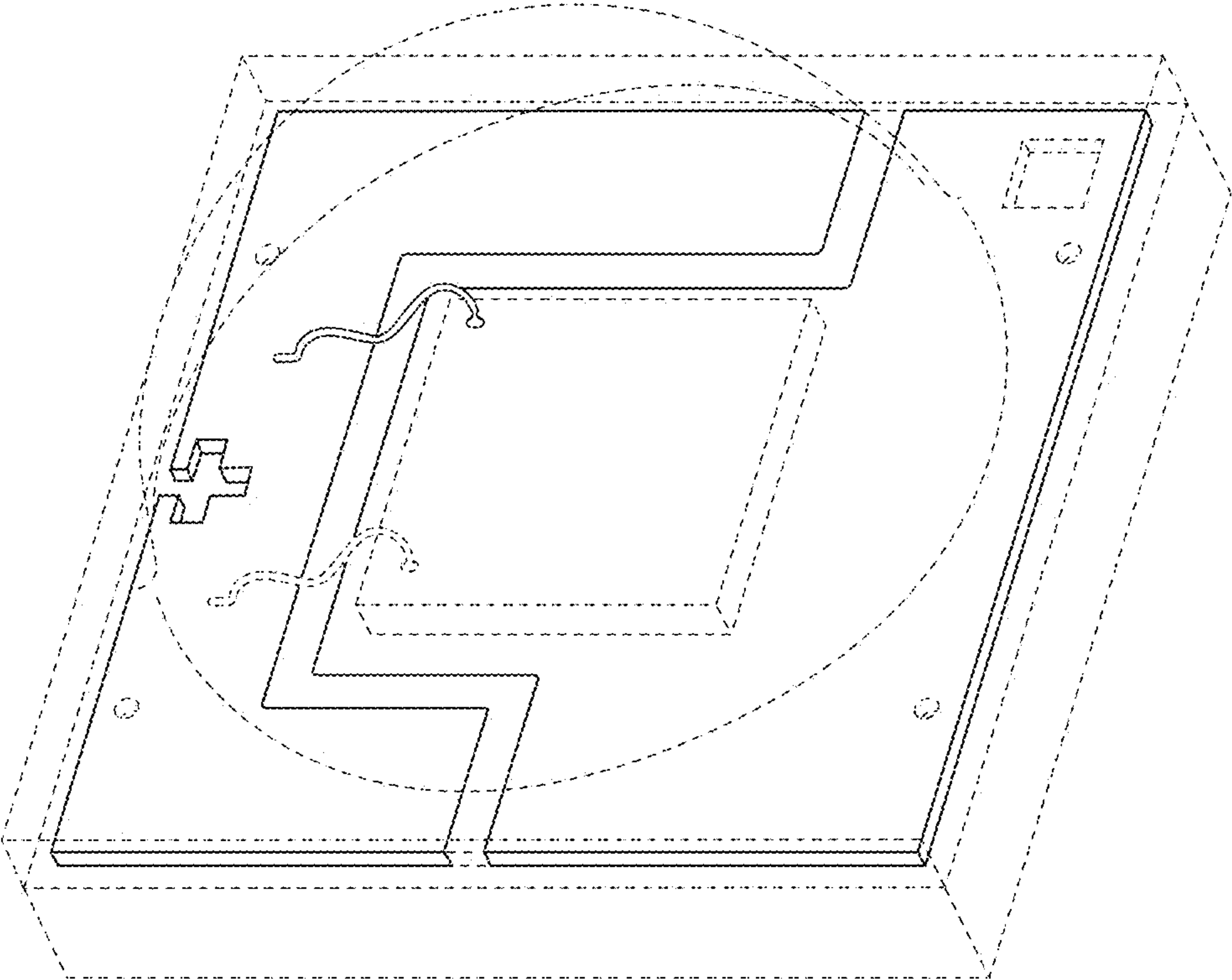


FIG. 1

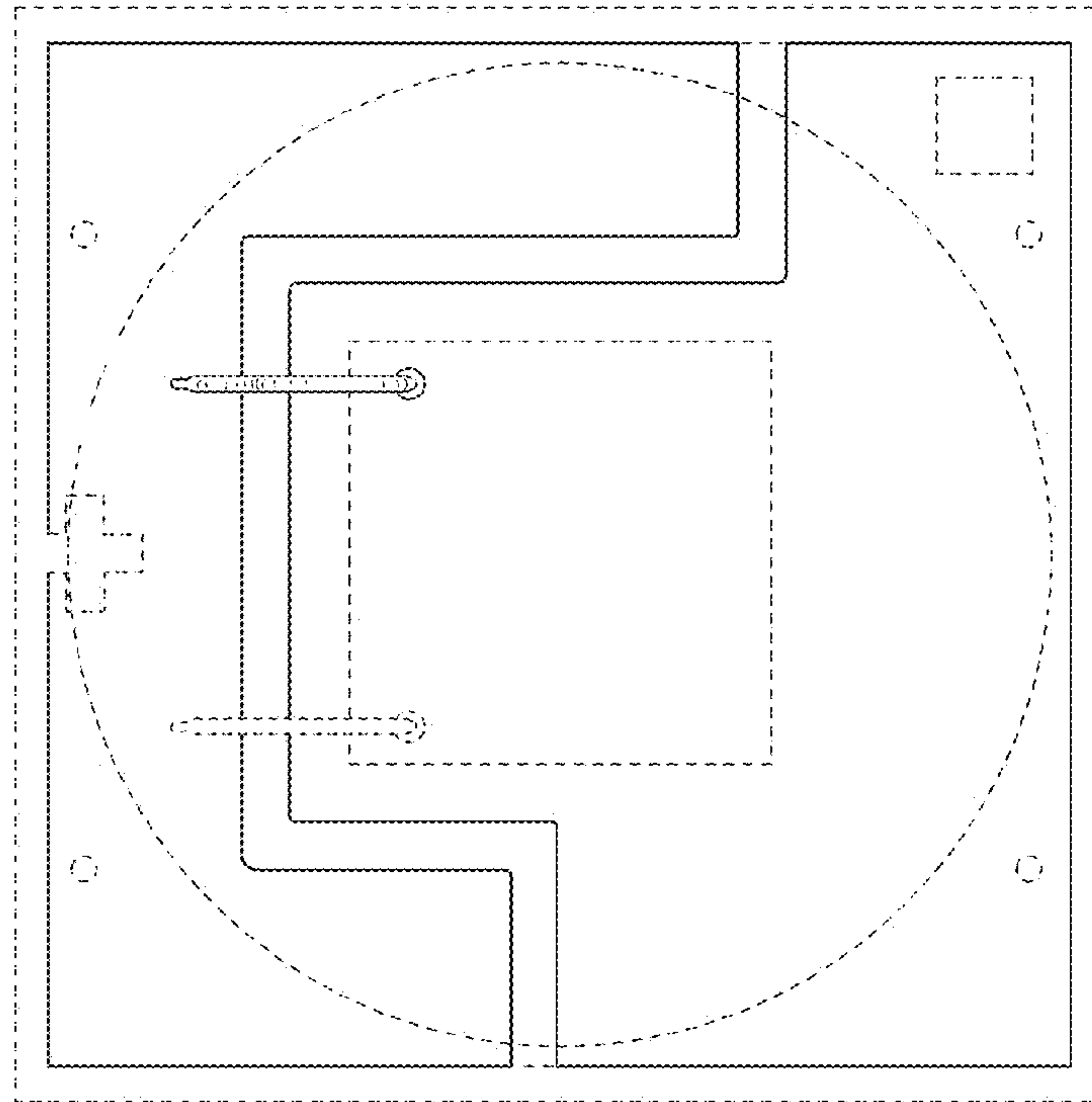


FIG. 2

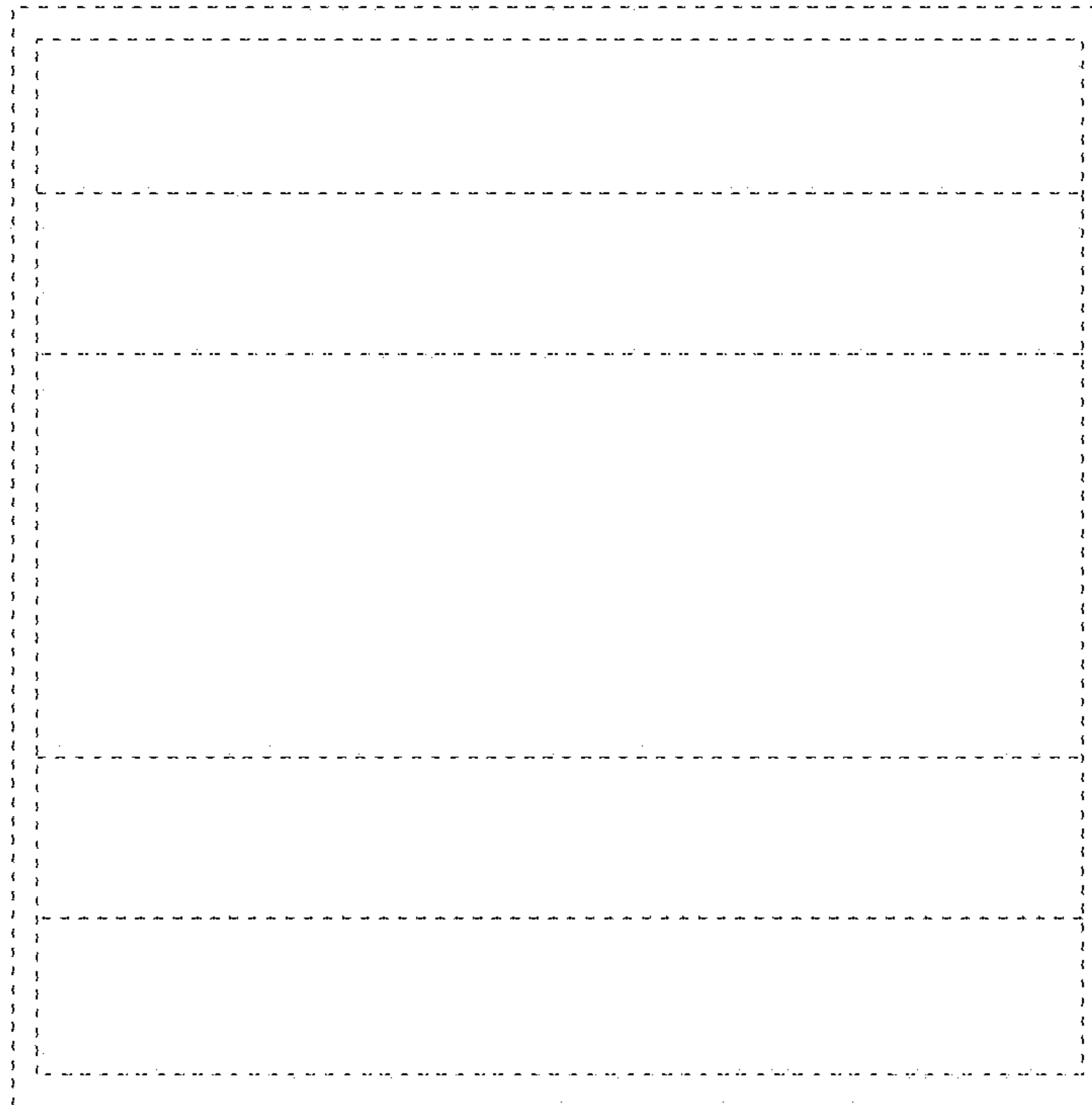


FIG. 3

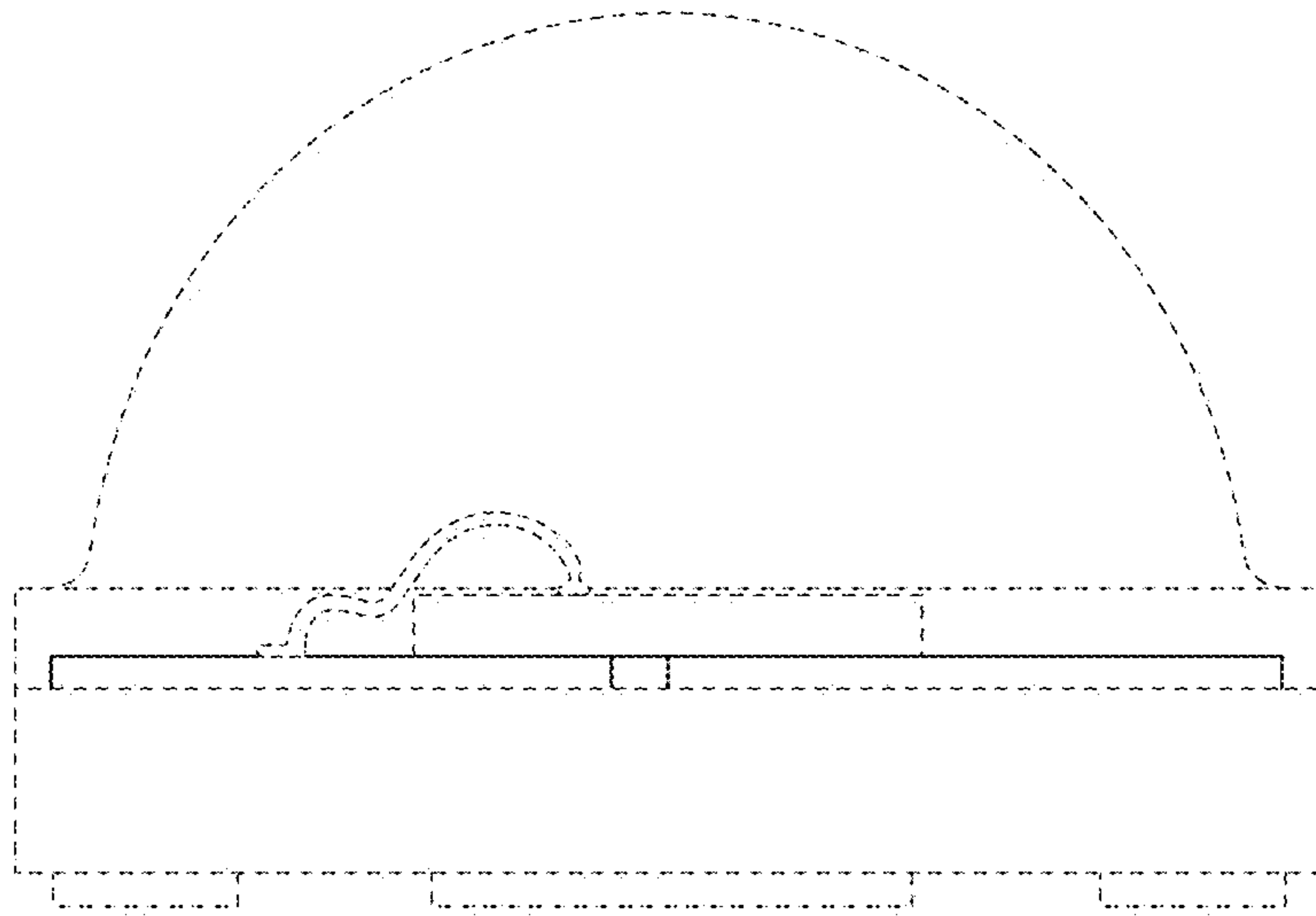


FIG. 4

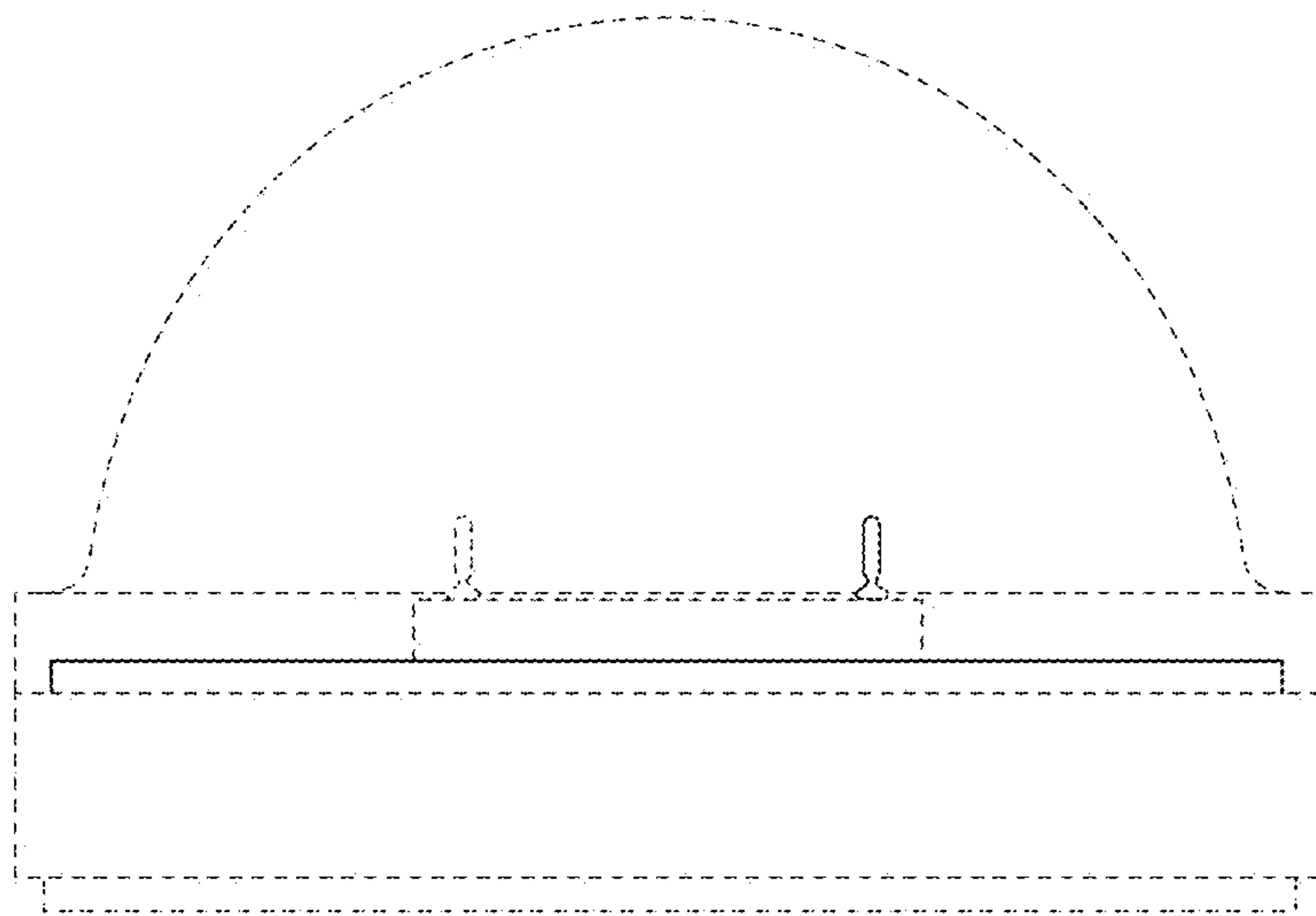


FIG. 5

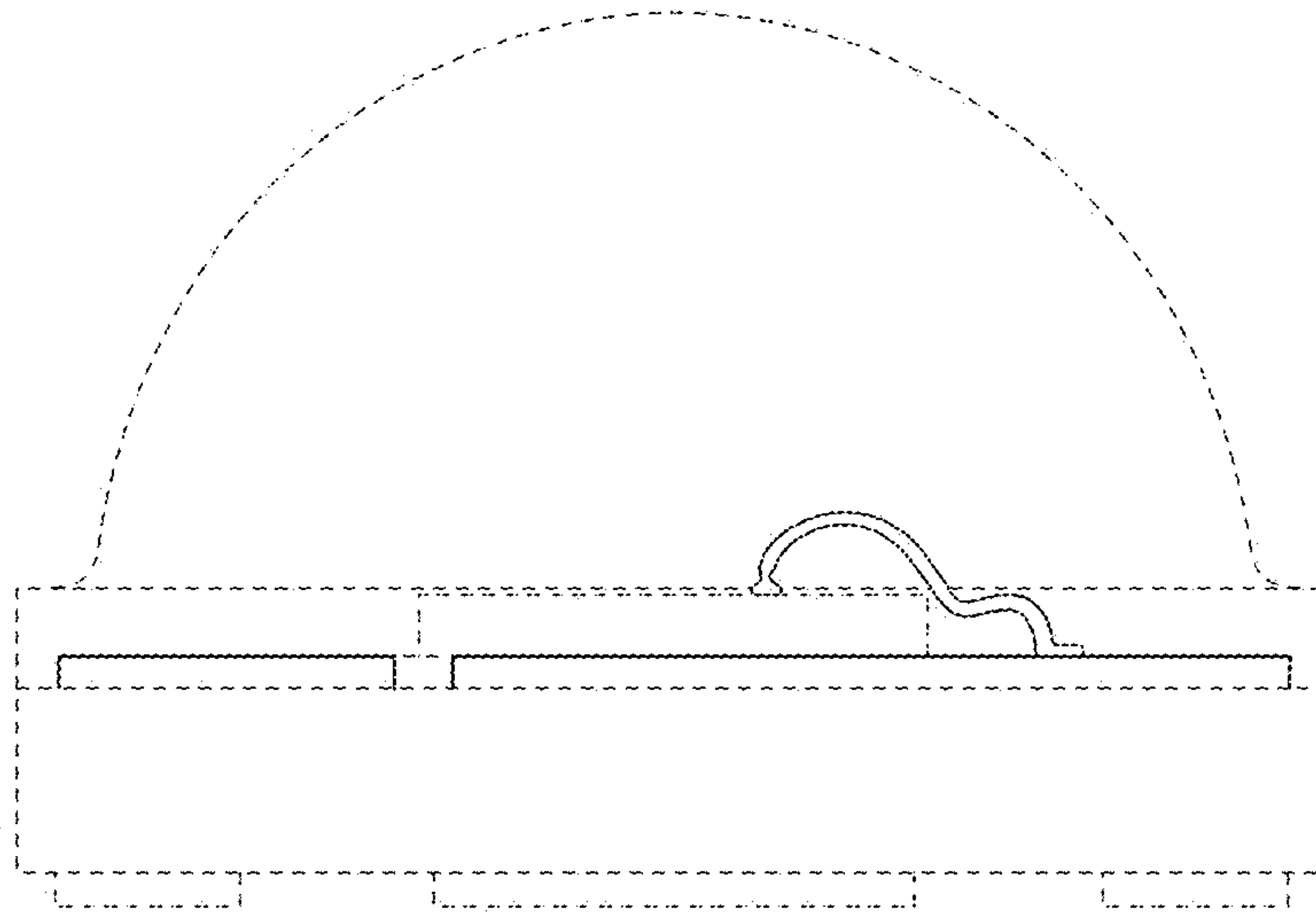


FIG. 6

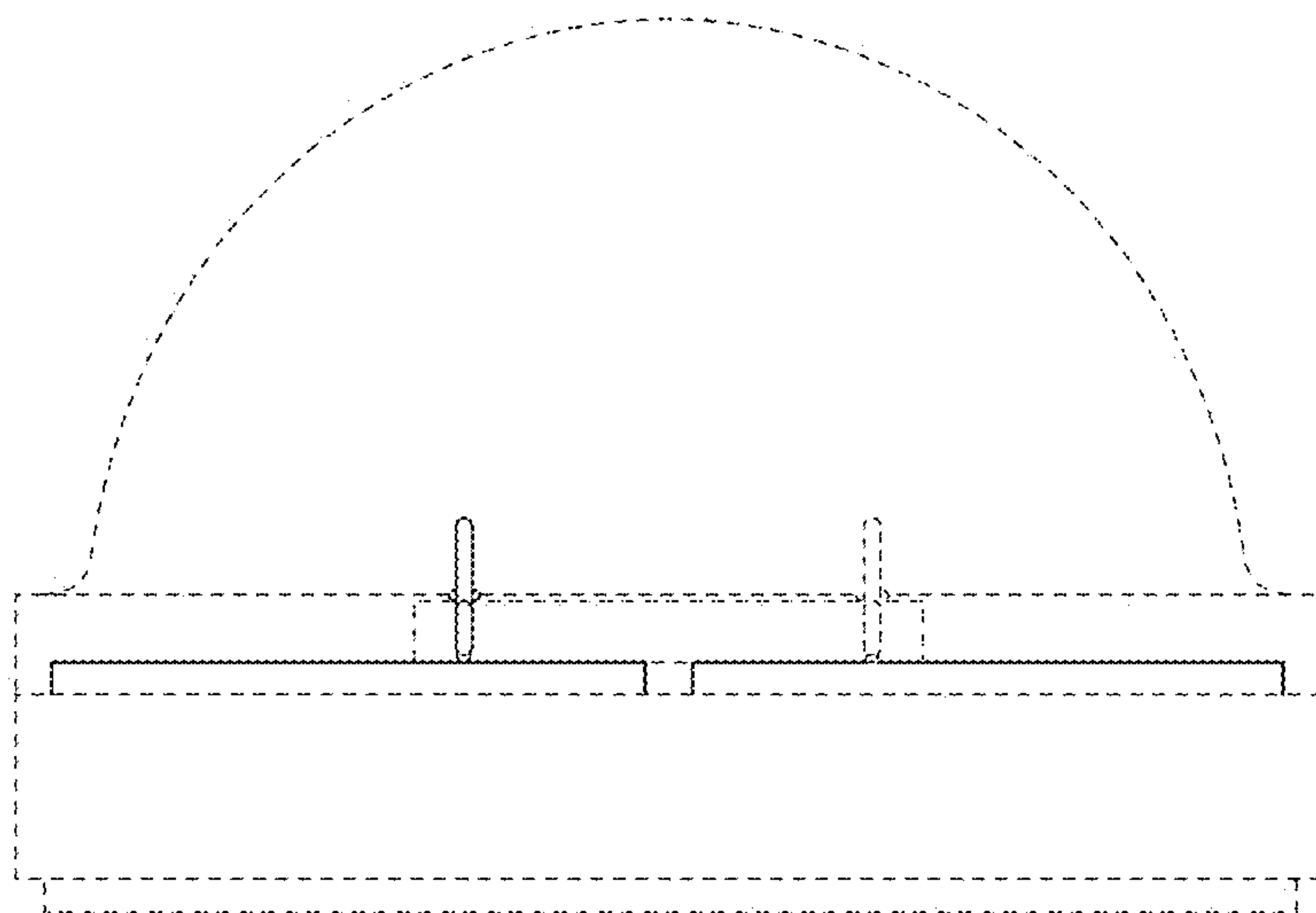


FIG. 7