



US00D753610S

(12) **United States Design Patent**
Zheng et al.

(10) **Patent No.:** **US D753,610 S**

(45) **Date of Patent:** **** Apr. 12, 2016**

(54) **CAM SWITCH**

(71) Applicant: **ABB Oy**, Helsinki (FI)

(72) Inventors: **Qifeng Zheng**, Quanzhou (CN); **Qishun Guo**, Xiamen SEZ (CN); **Xinde Lin**, WenLing (CN); **Jiejun Lu**, Xiamen SEZ (CN); **Shujing Ye**, Xiamen SEZ (CN)

(73) Assignee: **ABB OY**, Helsinki (FI)

(**) Term: **15 Years**

(21) Appl. No.: **29/531,204**

(22) Filed: **Jun. 24, 2015**

Related U.S. Application Data

(62) Division of application No. 29/443,102, filed on Jan. 14, 2013, now Pat. No. Des. 738,322.

(30) **Foreign Application Priority Data**

Jul. 16, 2012 (CN) 2012 3 0328647

(51) **LOC (10) Cl.** **13-03**

(52) **U.S. Cl.**
USPC **D13/169**; D13/158

(58) **Field of Classification Search**
USPC D13/158, 160, 162, 169, 178
CPC H01H 1/02; H01H 1/08; H01H 1/20;
H01H 3/20; H01H 3/40; H01H 3/42; H01H
9/22; H01H 9/282; H01H 19/00; H01H
19/035; H01H 19/114; H01H 19/6355;
H01H 19/64

See application file for complete search history.

(56) **References Cited**

U.S. PATENT DOCUMENTS

4,335,288 A 6/1982 Ludwig et al.
4,713,498 A 12/1987 Ludwig et al.

(Continued)

Primary Examiner — Selina Sikder

(74) *Attorney, Agent, or Firm* — Buchanan, Ingersoll & Rooney PC

(57) **CLAIM**

The ornamental design for a cam switch, as shown and described.

DESCRIPTION

FIG. 1 is a perspective view of a cam switch showing a first embodiment of our new design.

FIG. 2 is a front elevational view thereof.

FIG. 3 is a rear elevational view thereof.

FIG. 4 is a left side elevational view thereof.

FIG. 5 is a right side elevational view thereof.

FIG. 6 is a top plan view thereof.

FIG. 7 is a bottom plan view thereof.

FIG. 8 is a perspective view of a cam switch showing a second embodiment of our new design.

FIG. 9 is a front elevational view thereof.

FIG. 10 is a rear elevational view thereof.

FIG. 11 is a left side elevational view thereof.

FIG. 12 is a right side elevational view thereof.

FIG. 13 is a top plan view thereof.

FIG. 14 is a bottom plan view thereof.

FIG. 15 is a perspective view of a cam switch showing a third embodiment of our new design.

FIG. 16 is a front elevational view thereof.

FIG. 17 is a rear elevational view thereof.

FIG. 18 is a left side elevational view thereof.

FIG. 19 is a right side elevational view thereof.

FIG. 20 is a top plan view thereof.

FIG. 21 is a bottom plan view thereof.

FIG. 22 is a perspective view of a cam switch showing a fourth embodiment of our new design.

FIG. 23 is a front elevational view thereof.

FIG. 24 is a rear elevational view thereof.

FIG. 25 is a left side elevational view thereof.

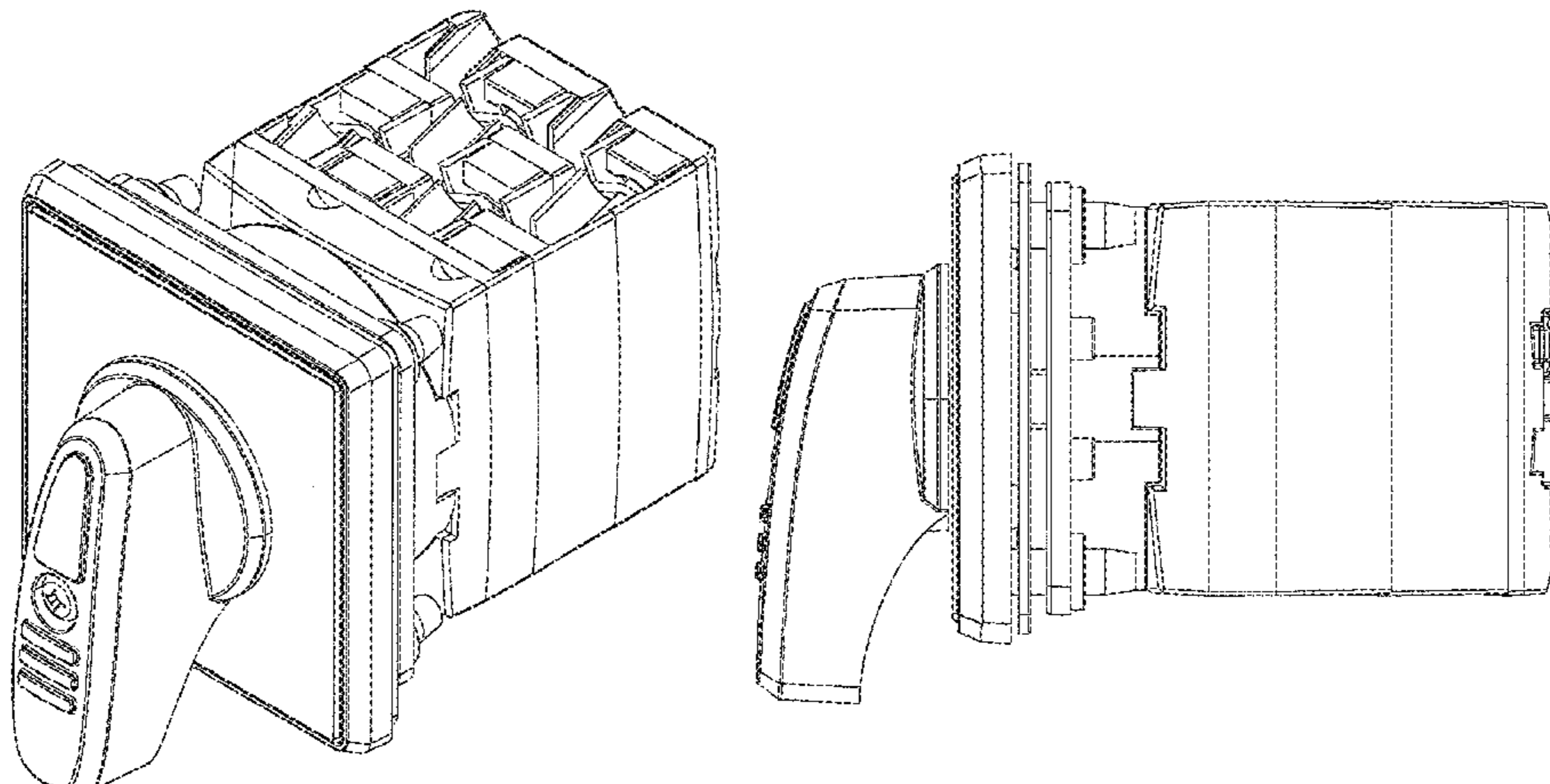
FIG. 26 is a right side elevational view thereof.

FIG. 27 is a top plan view thereof; and,

FIG. 28 is a bottom plan view thereof.

The broken line showing of the cam switch is for the purpose of illustrating environmental structure and forms no part of the claimed design.

1 Claim, 28 Drawing Sheets



(56)

References Cited

U.S. PATENT DOCUMENTS

4,851,620 A 7/1989 Schaeffer
4,861,949 A 8/1989 Bortolloni et al.
D393,626 S 4/1998 Siat
6,072,128 A 6/2000 Ansorge et al.
6,423,912 B1 7/2002 Arenz et al.
6,576,851 B1 6/2003 Barlian et al.
6,969,813 B1 11/2005 Winslett et al.

7,368,675 B2 5/2008 Ishido et al.
7,514,645 B2 4/2009 Shahmuradyan
7,870,810 B2 1/2011 Da Dalt et al.
D658,597 S 5/2012 Kuwae et al.
D738,322 S * 9/2015 Zheng et al. D13/169
D738,323 S * 9/2015 Zheng et al. D13/169
D738,324 S * 9/2015 Zheng et al. D13/171
2012/0080298 A1 4/2012 Lee
2014/0326585 A1 11/2014 Reinhart et al.

* cited by examiner

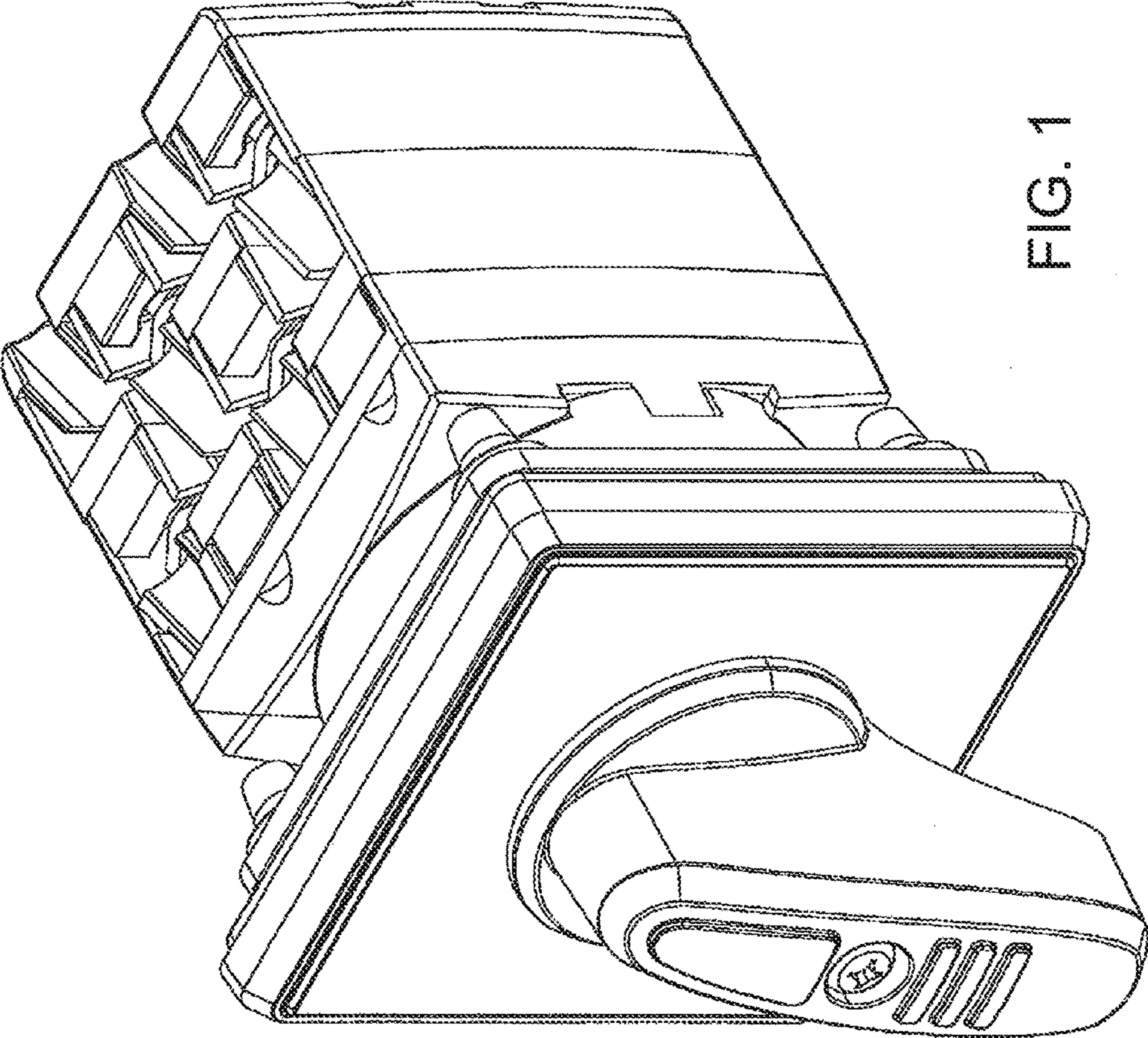


FIG. 1

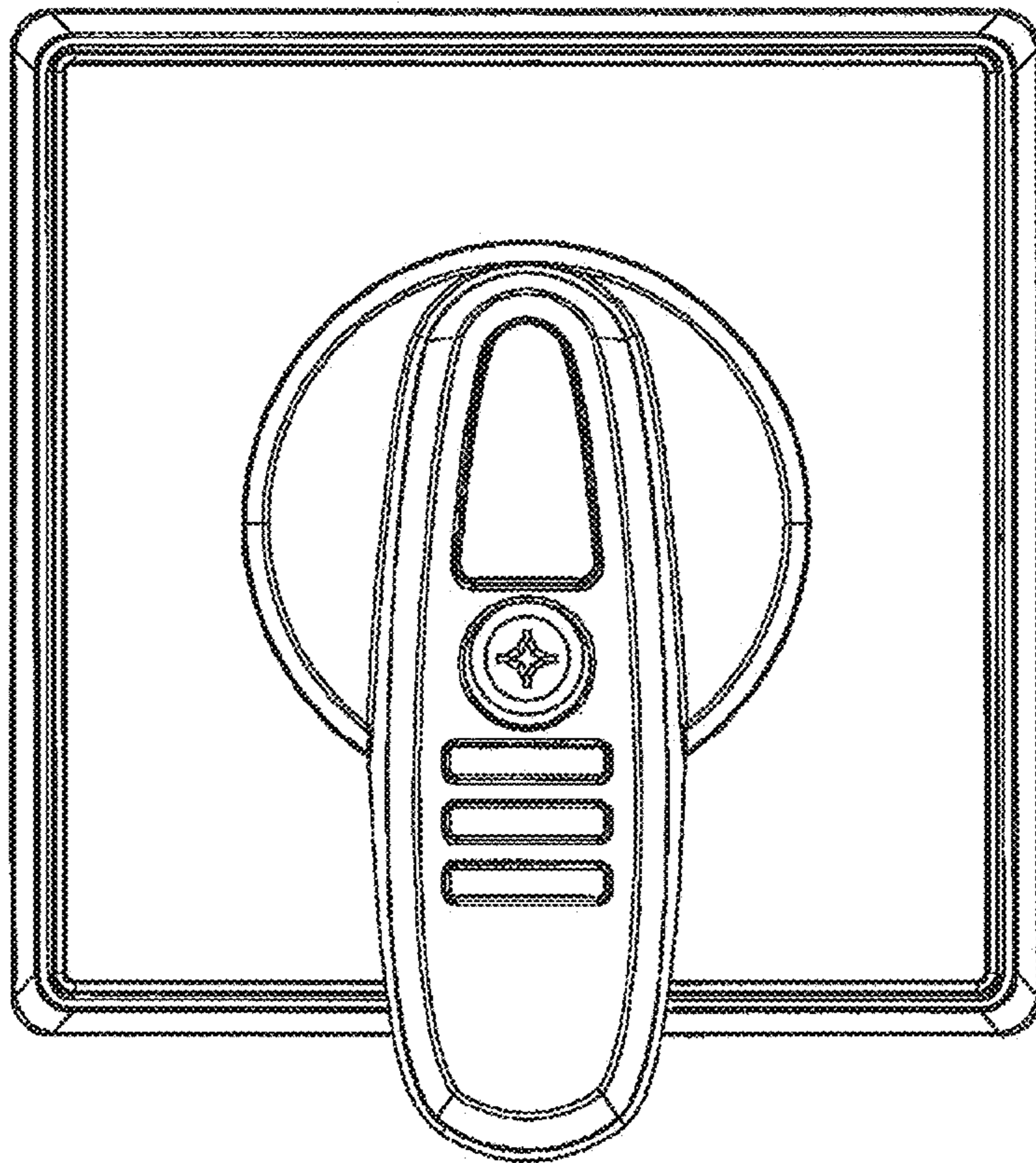


FIG. 2

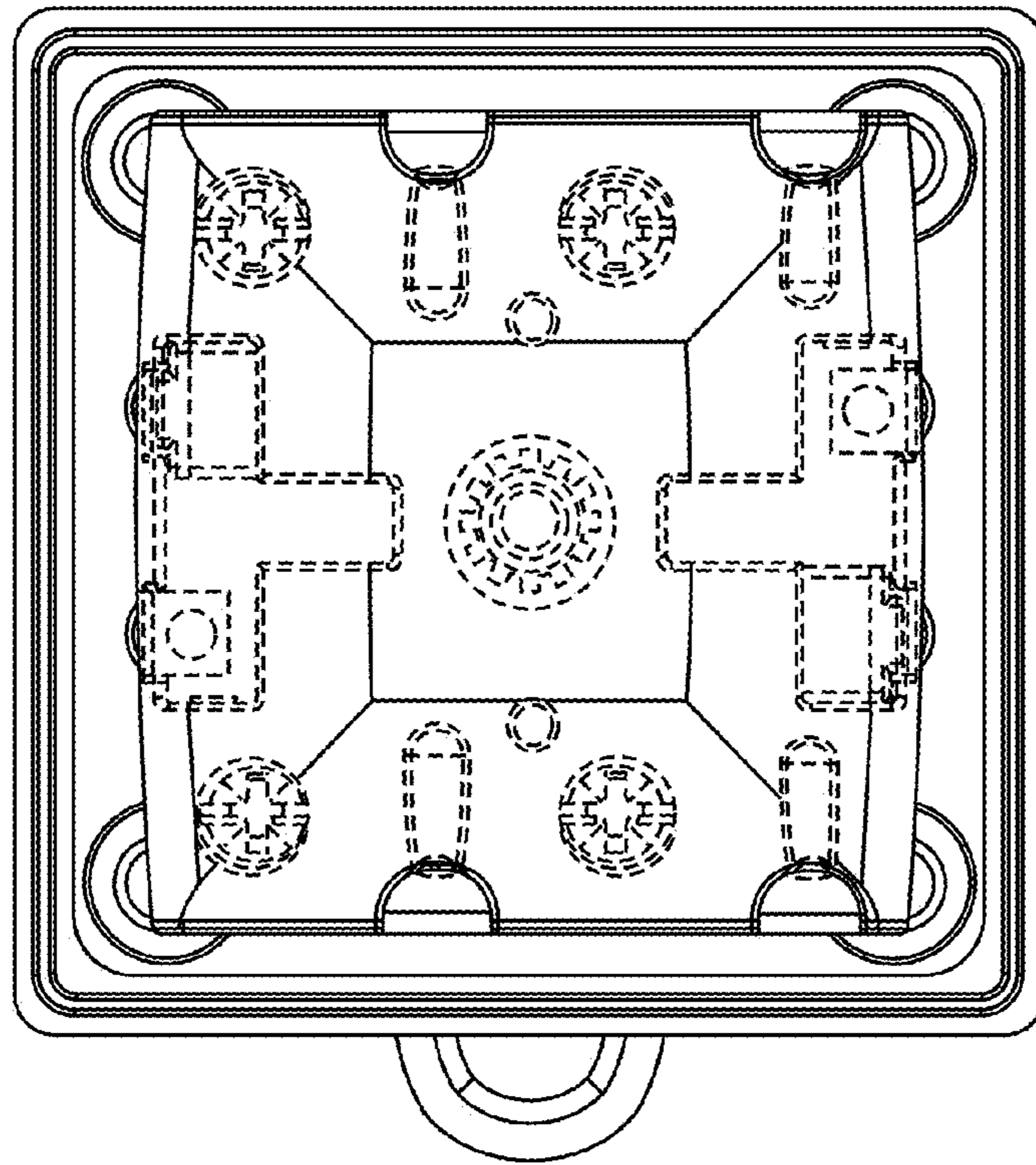


FIG. 3

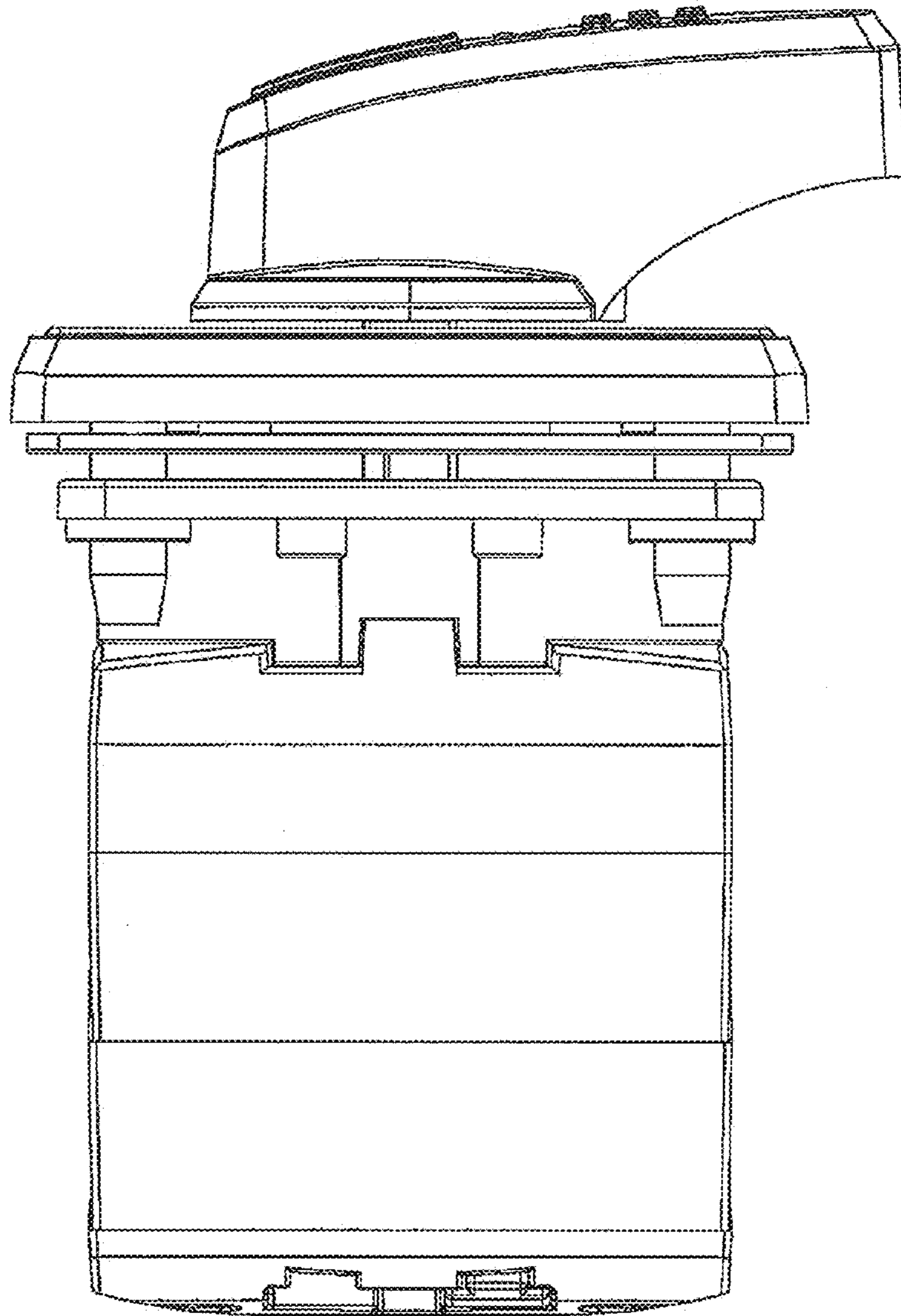


FIG. 4

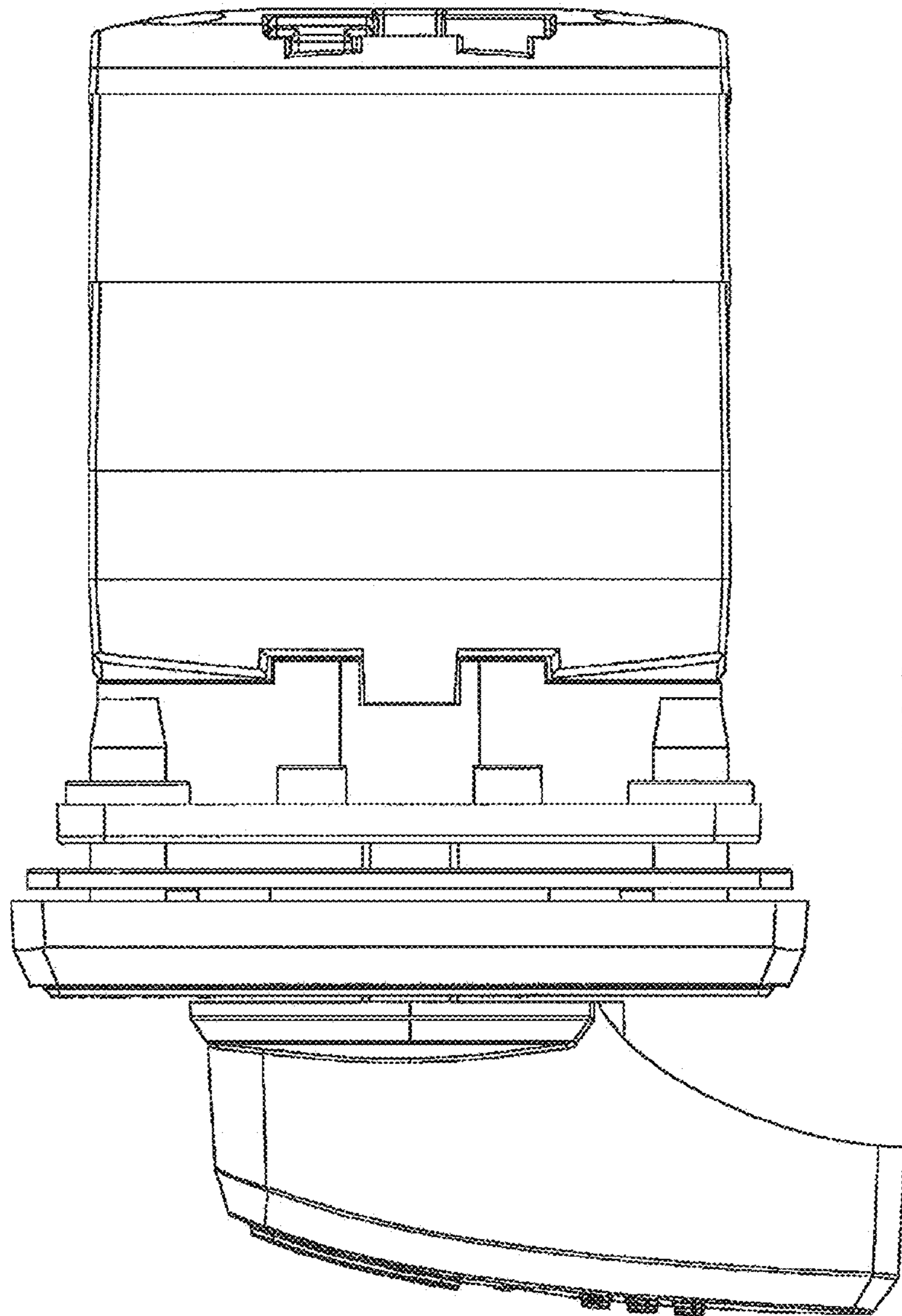


FIG. 5

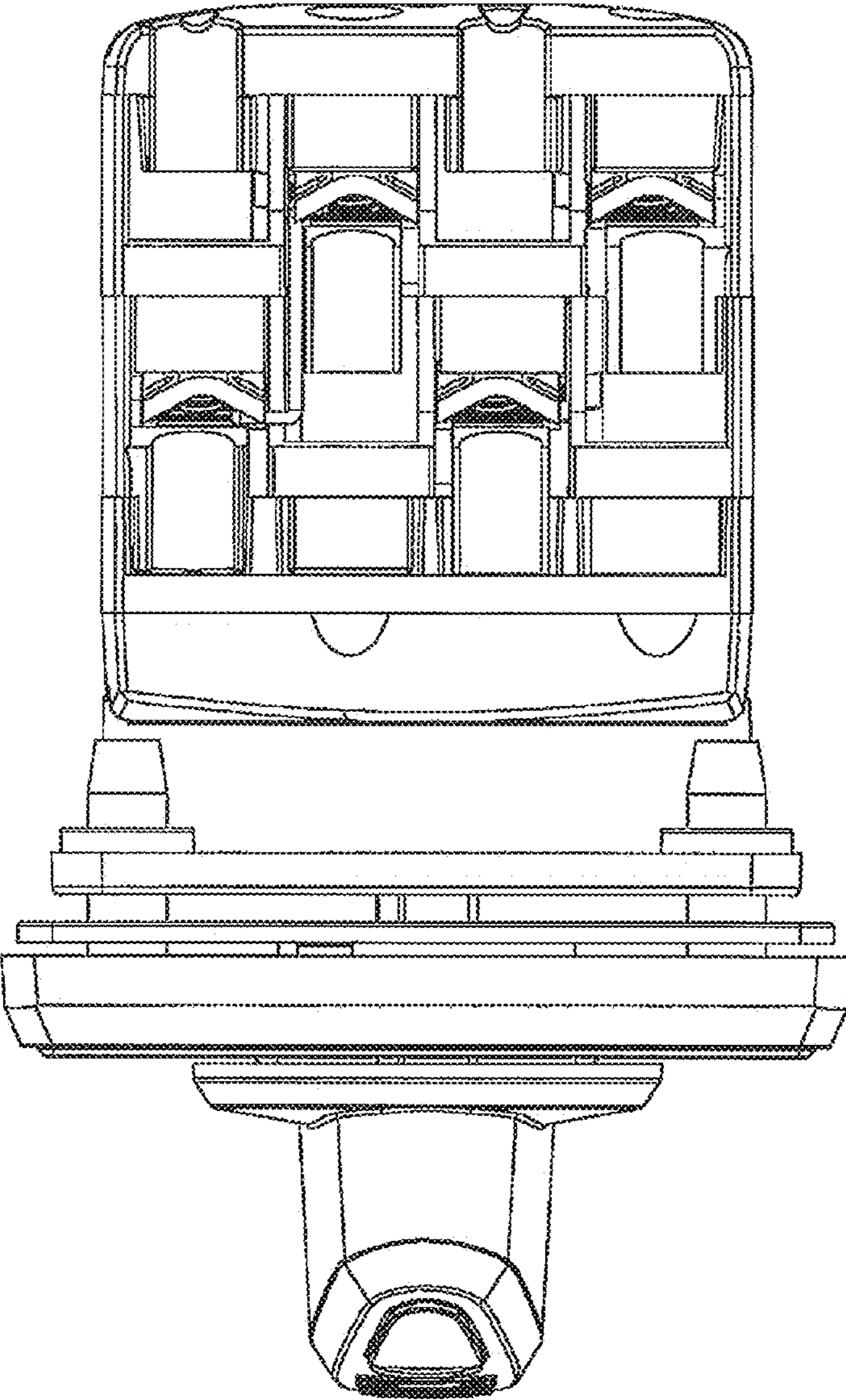


FIG. 6

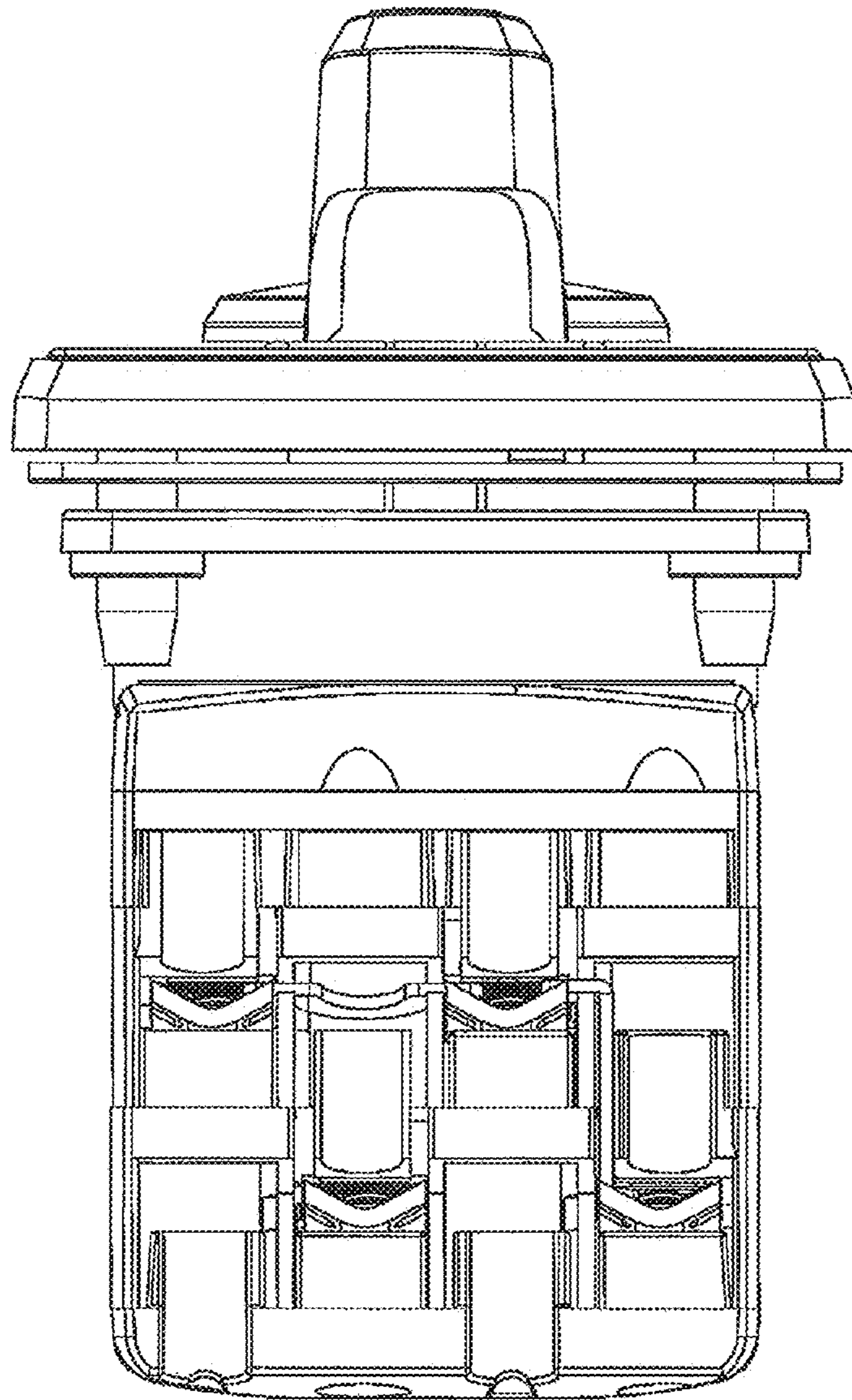


FIG. 7

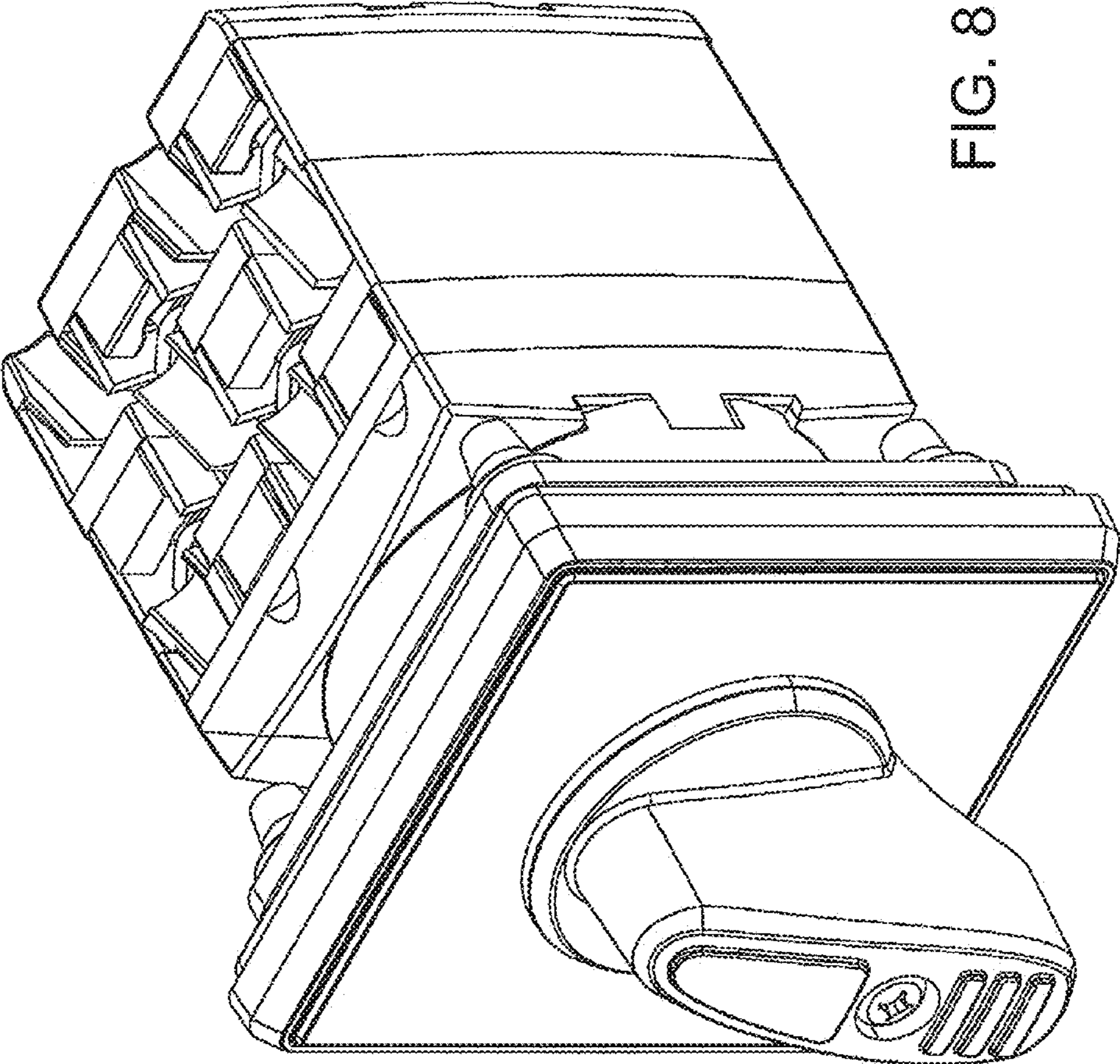


FIG. 8

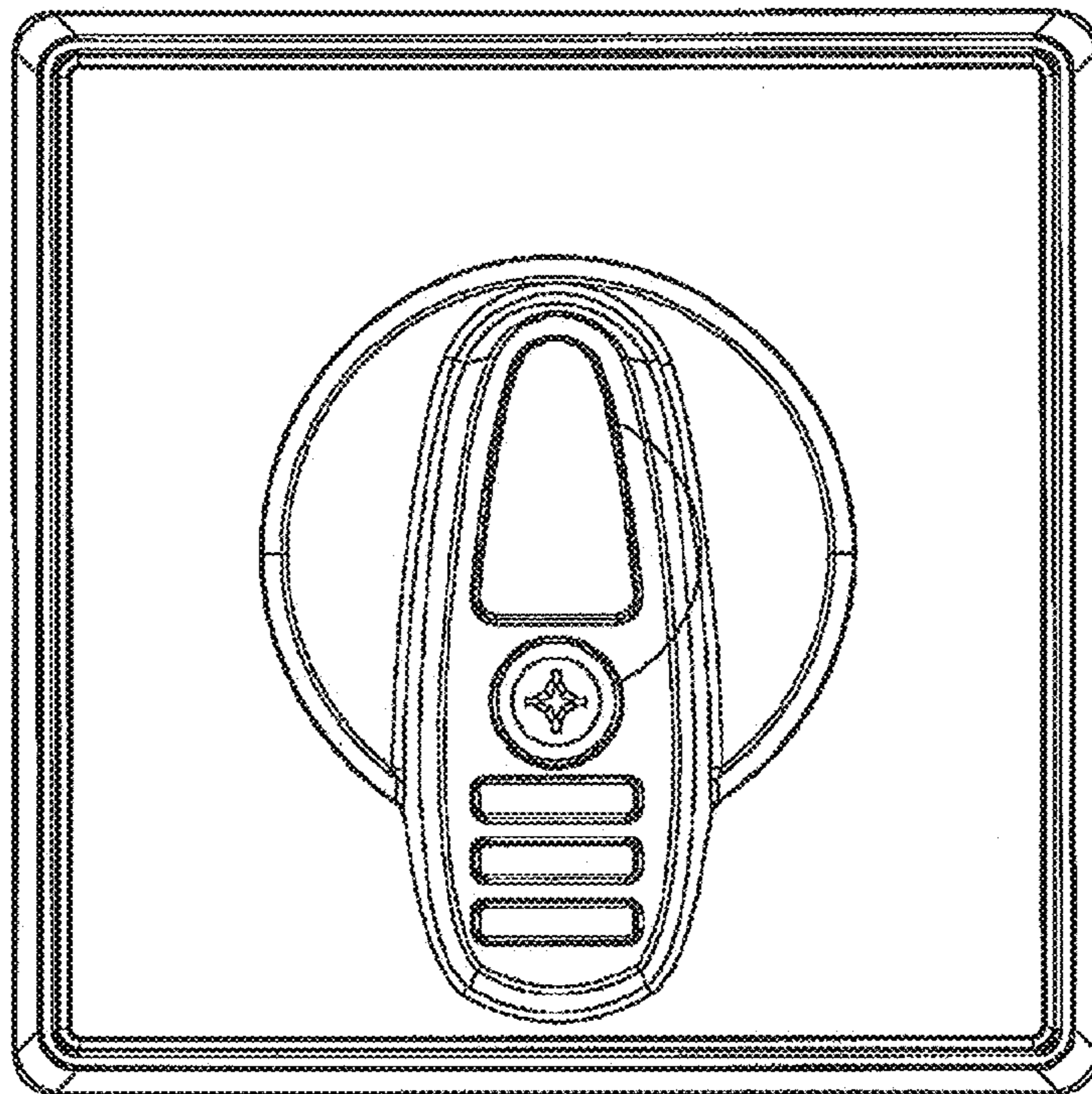


FIG. 9

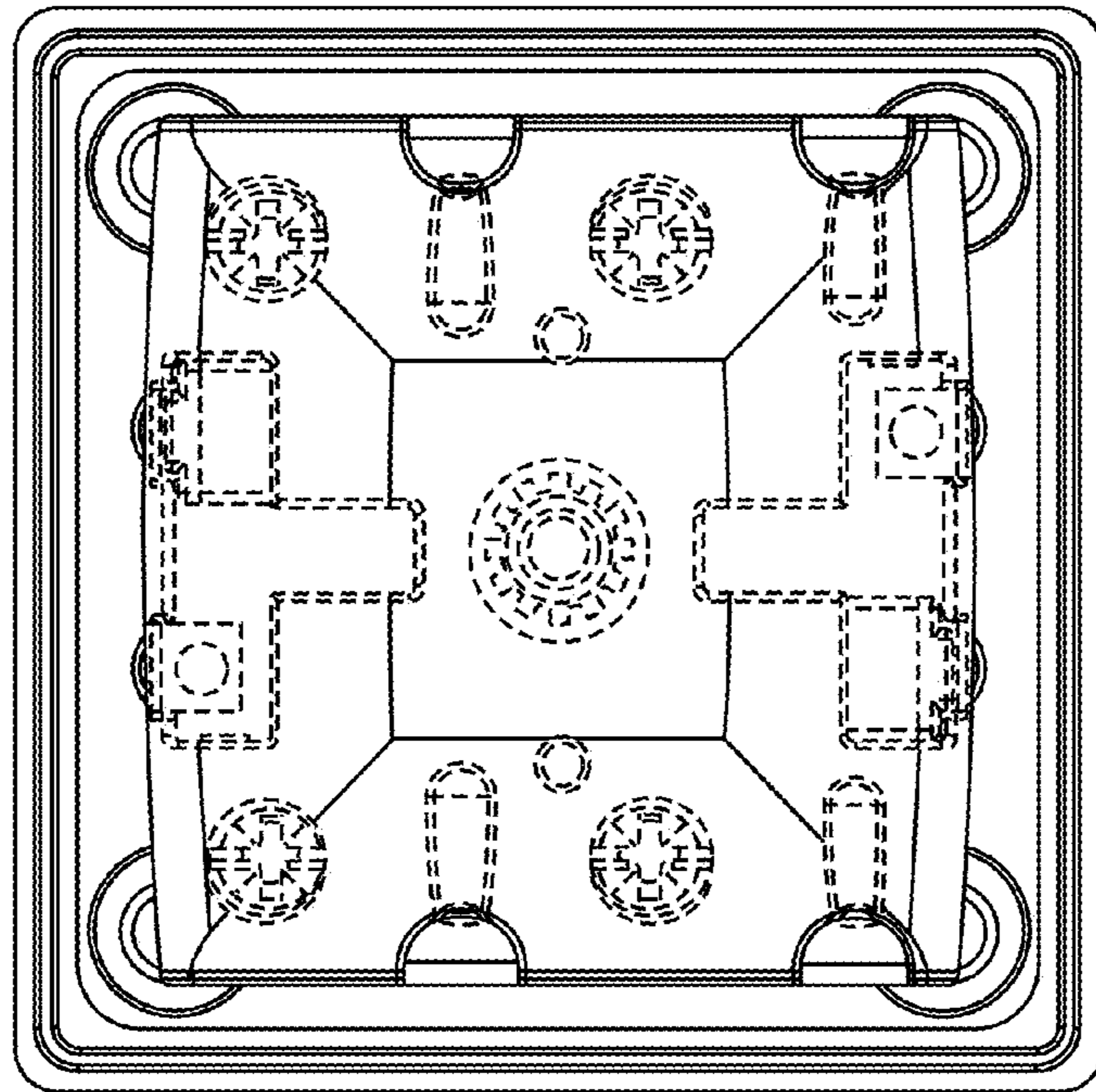


FIG. 10

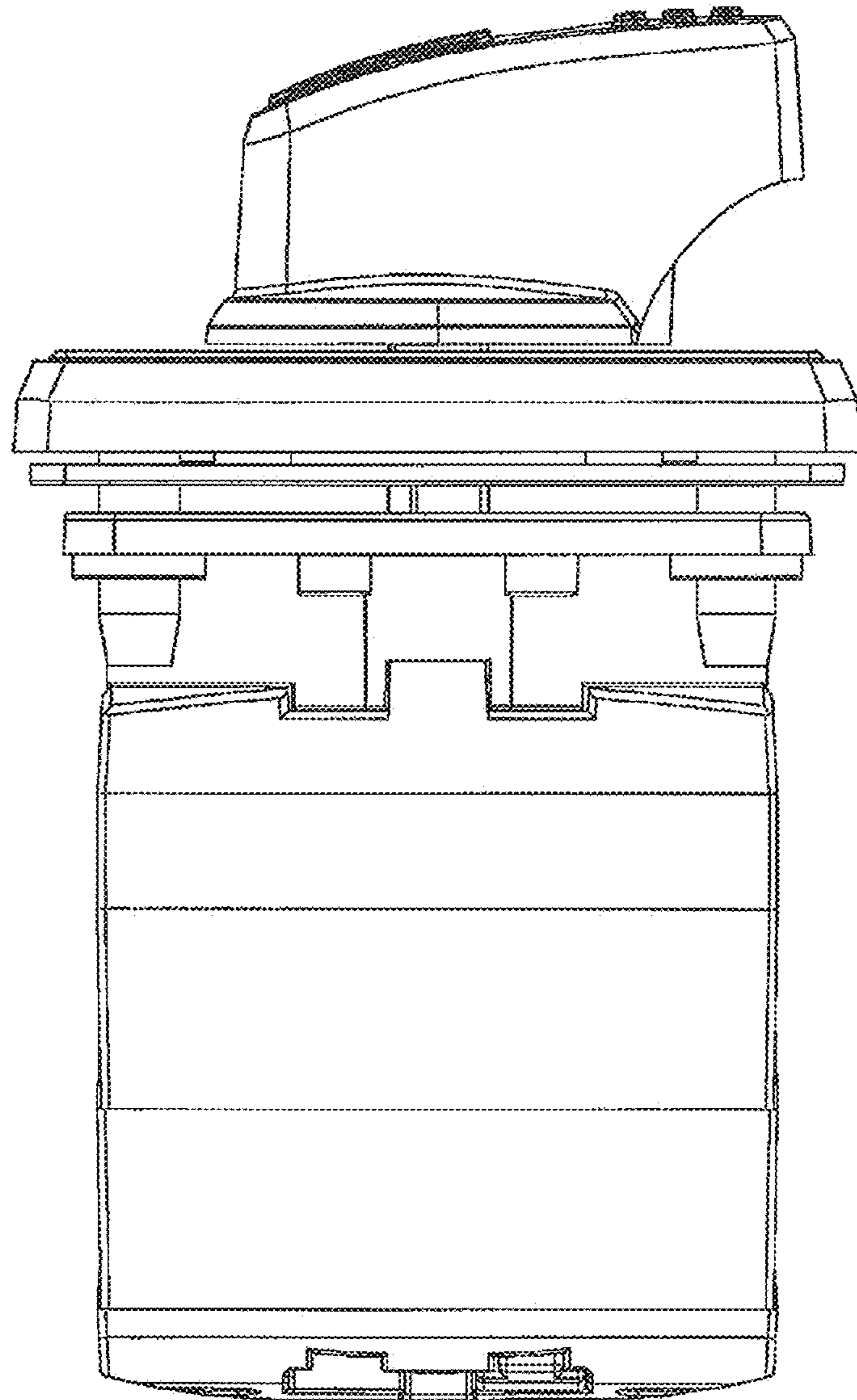


FIG. 11

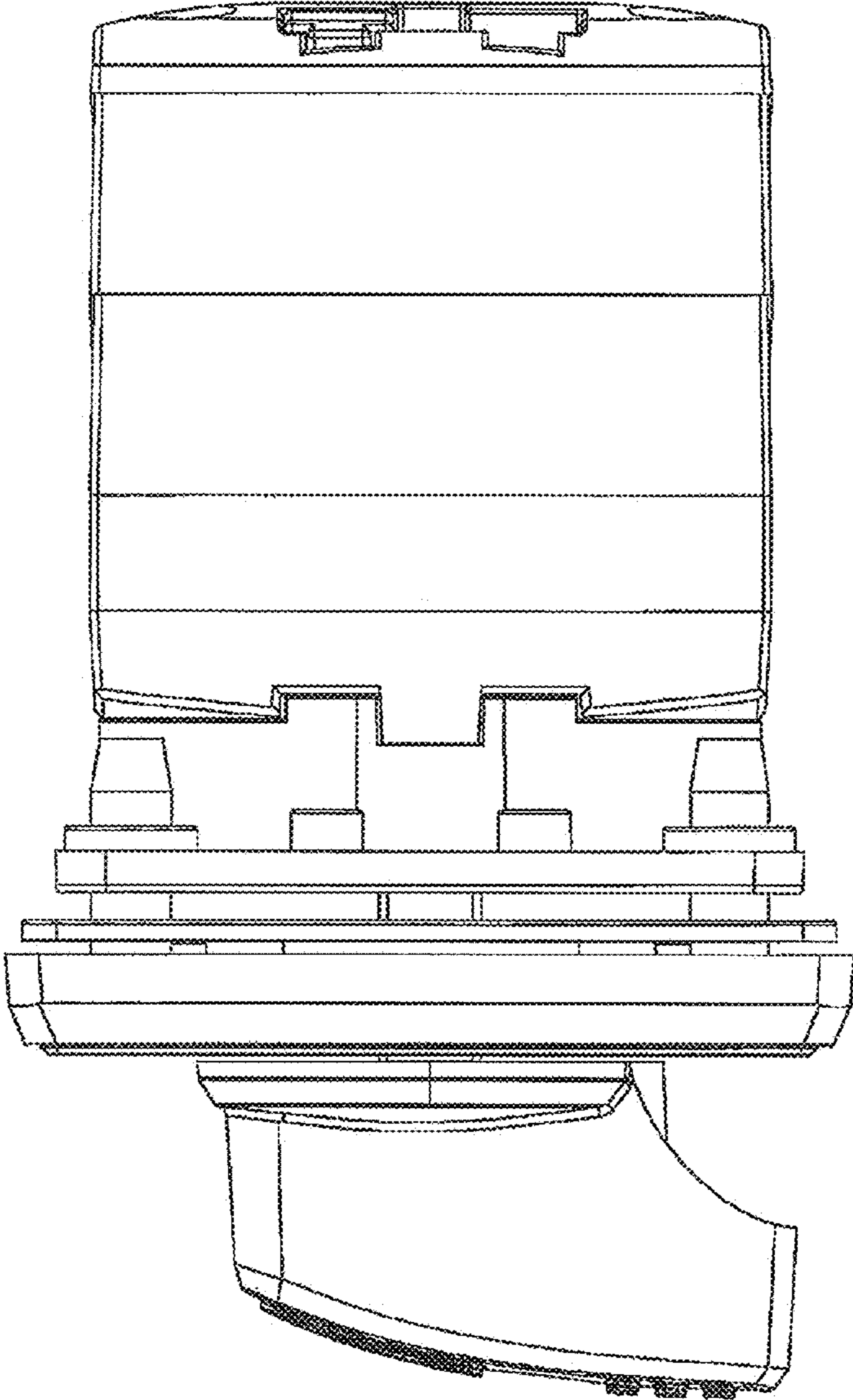


FIG. 12

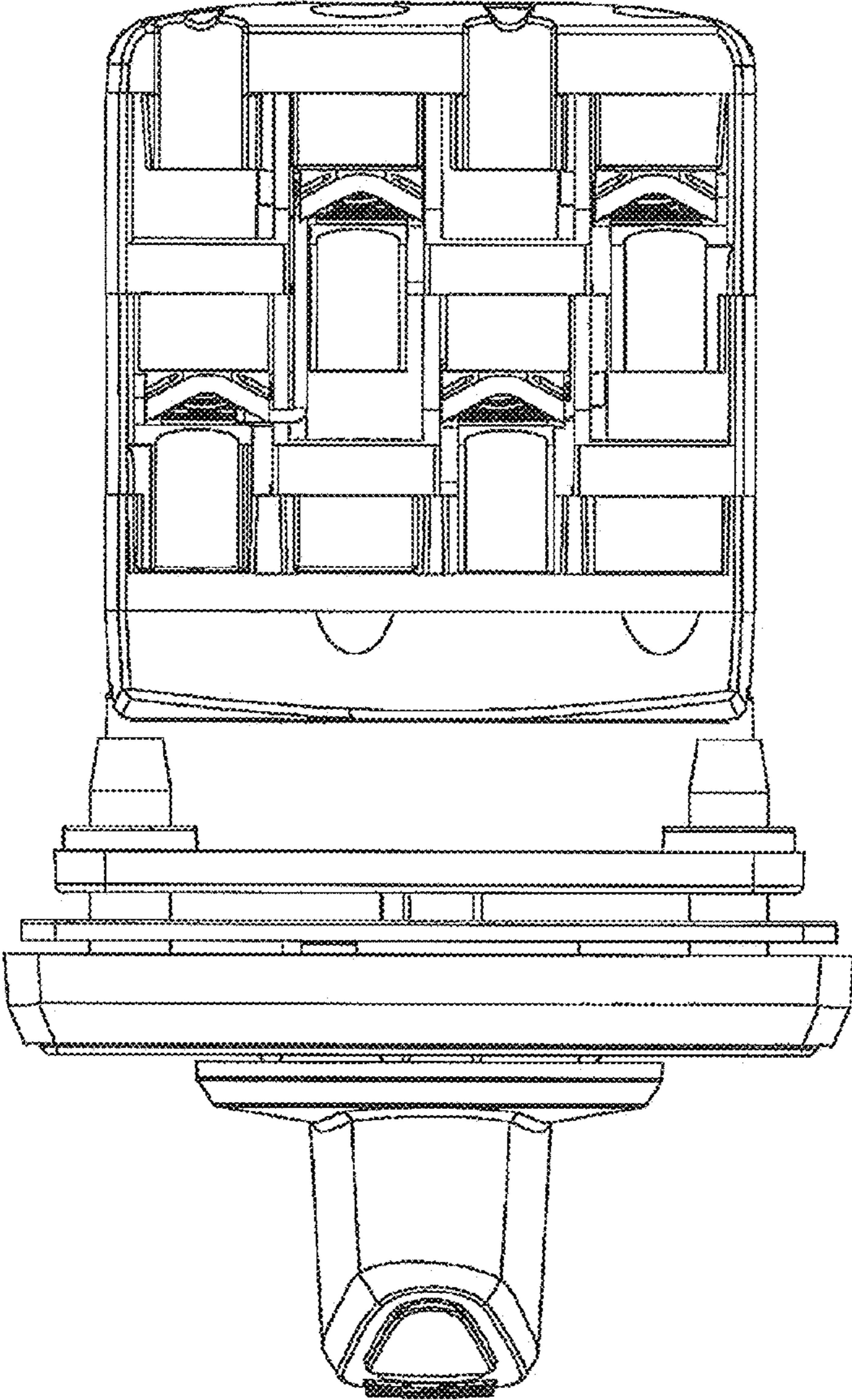


FIG. 13

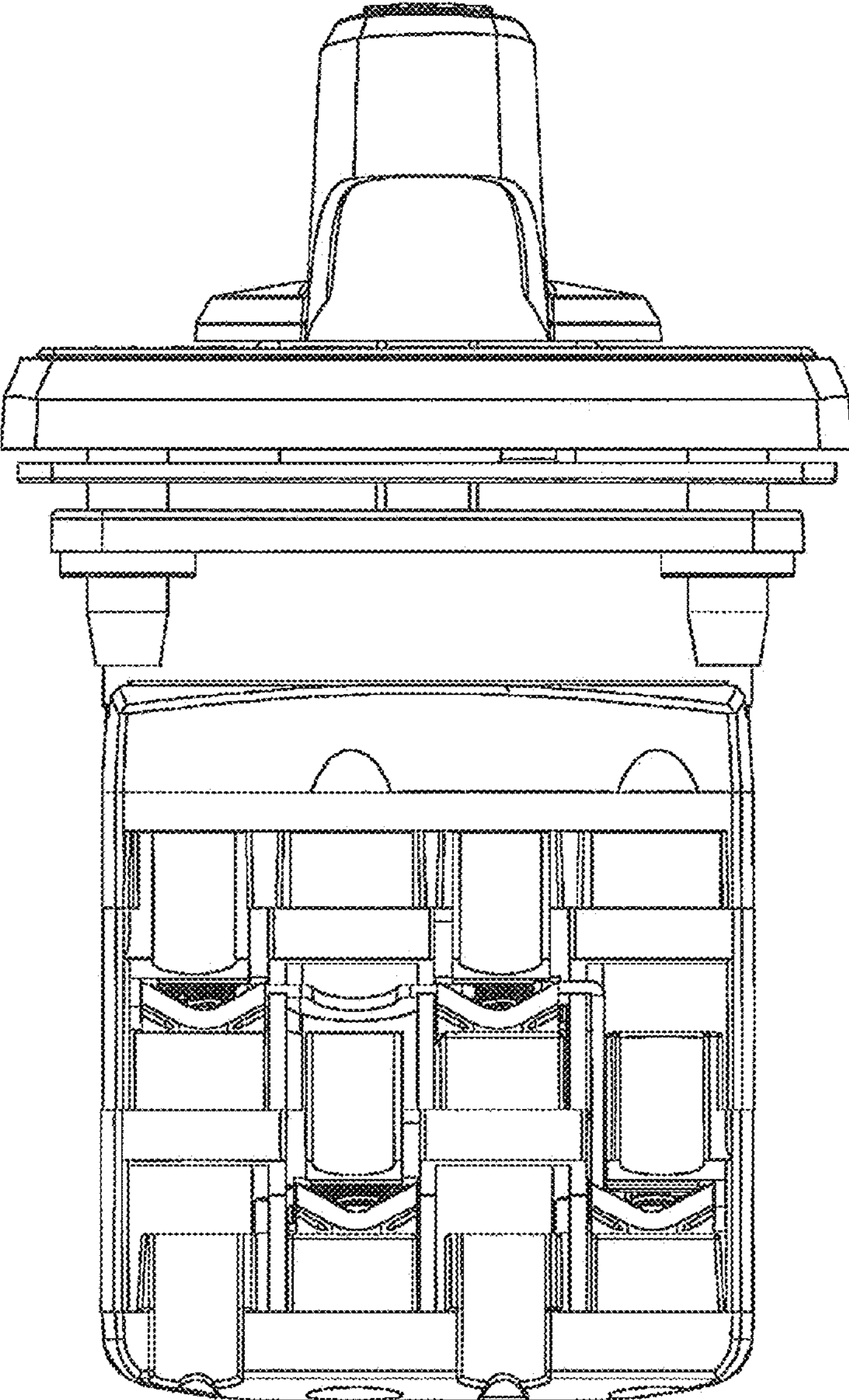


FIG. 14

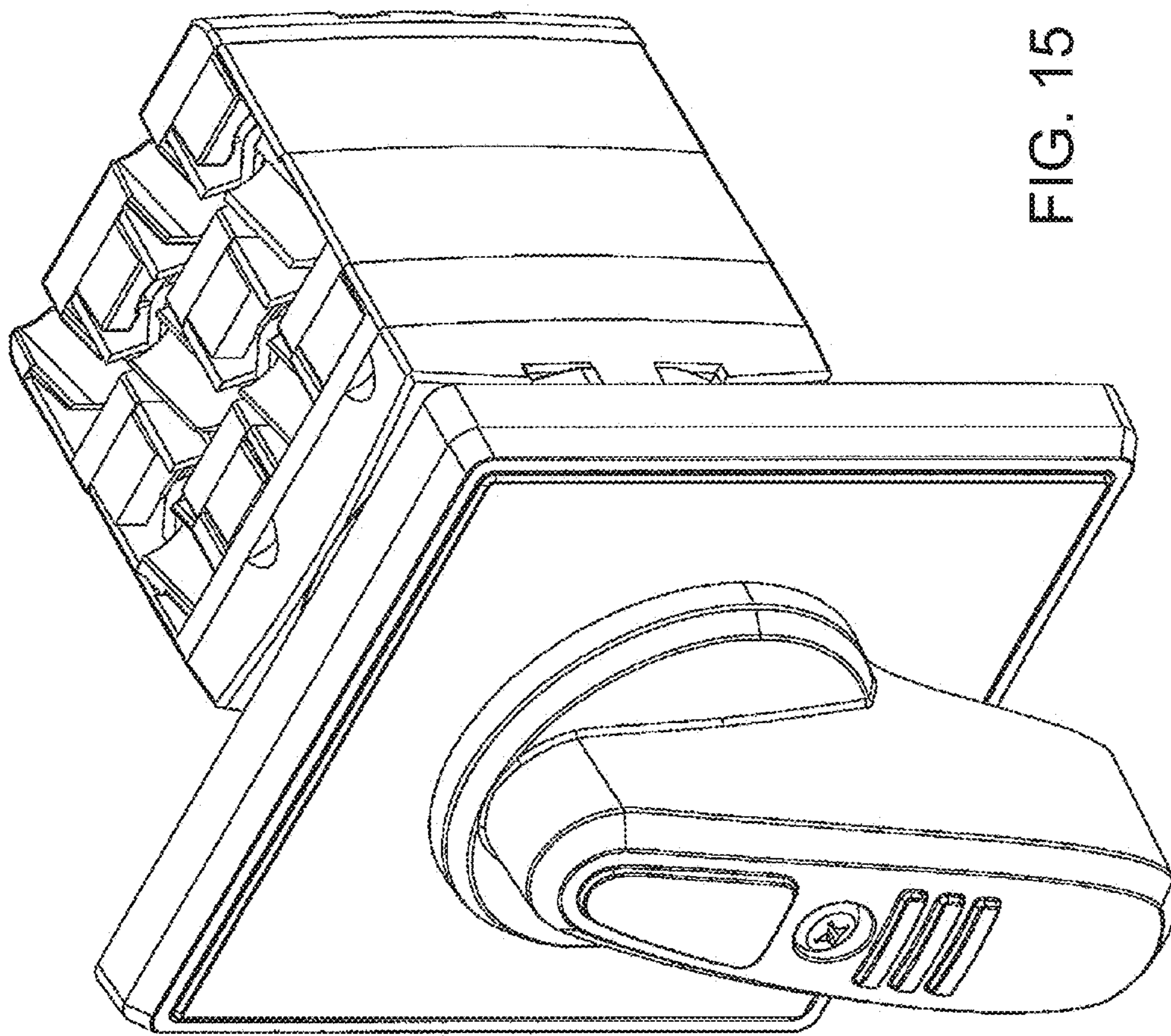


FIG. 15

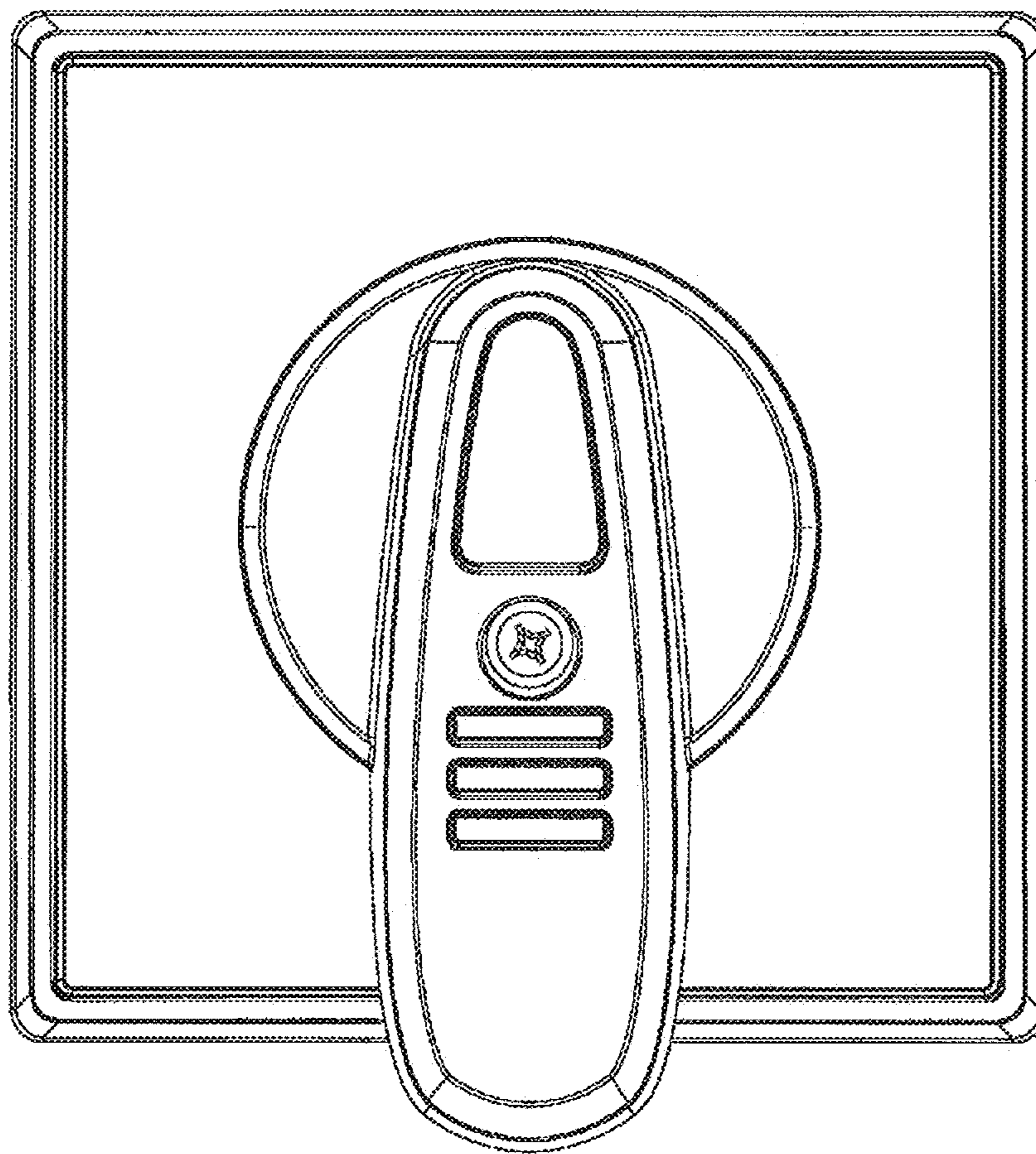


FIG. 16

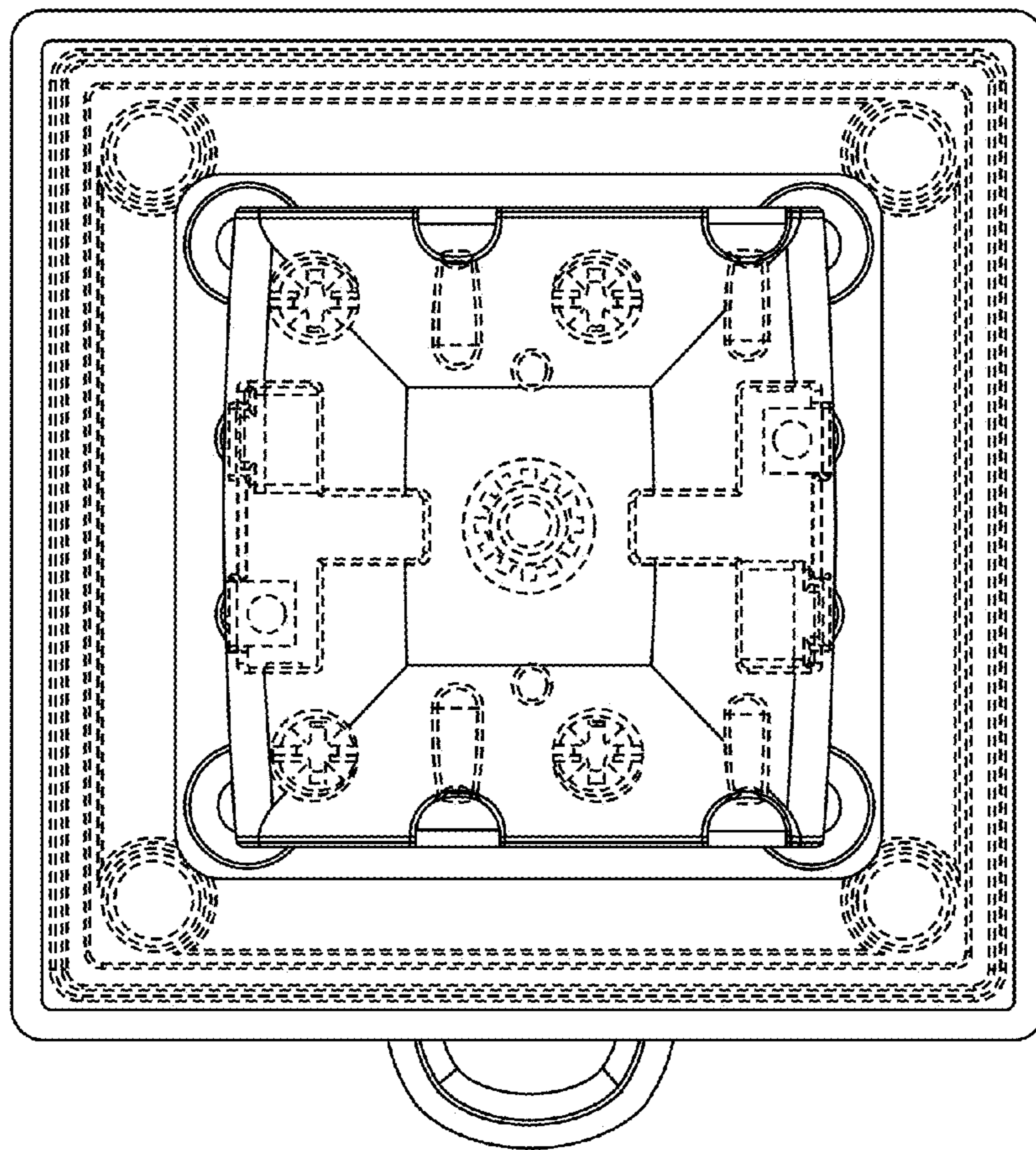


FIG. 17

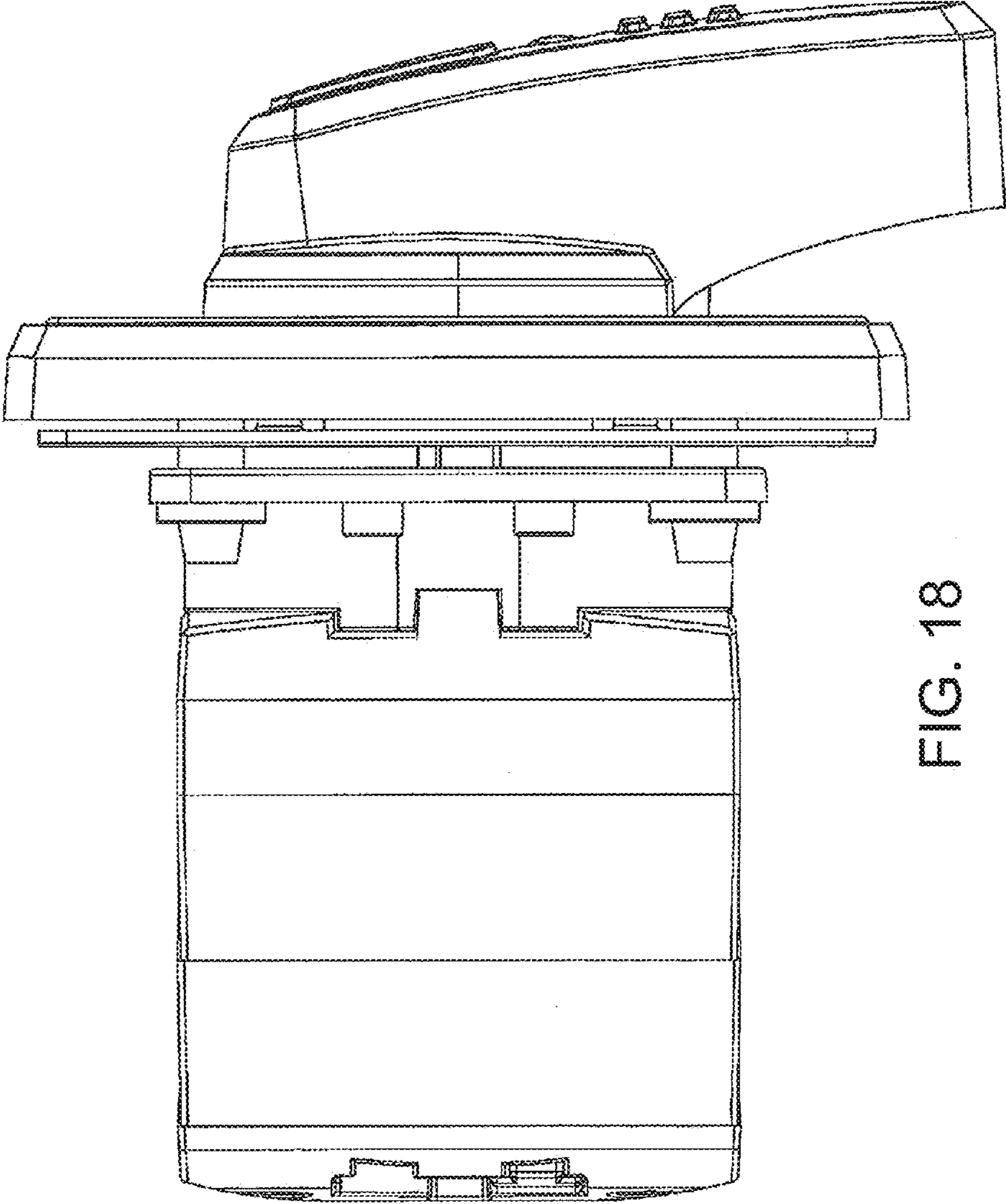


FIG. 18

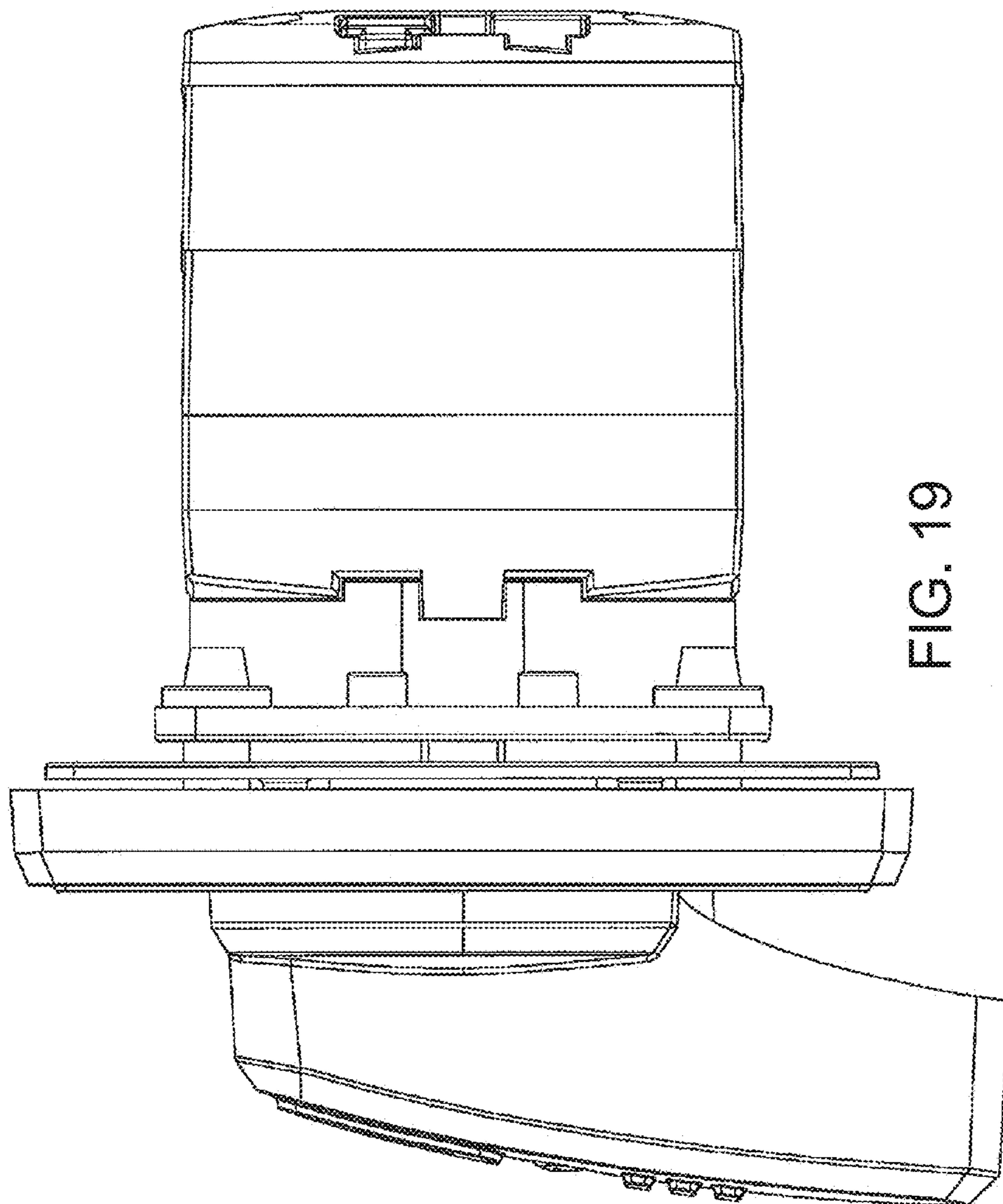


FIG. 19

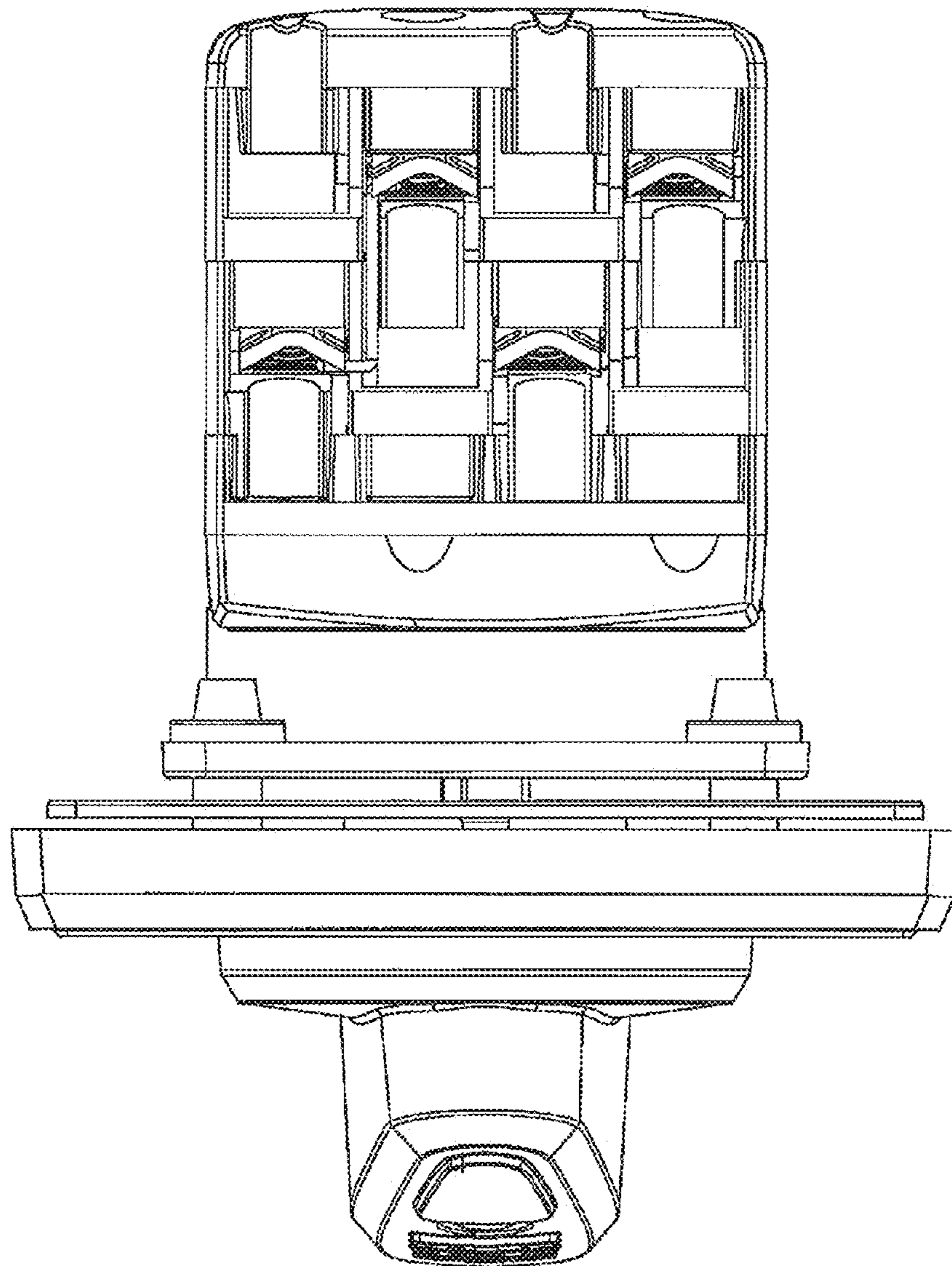


FIG. 20

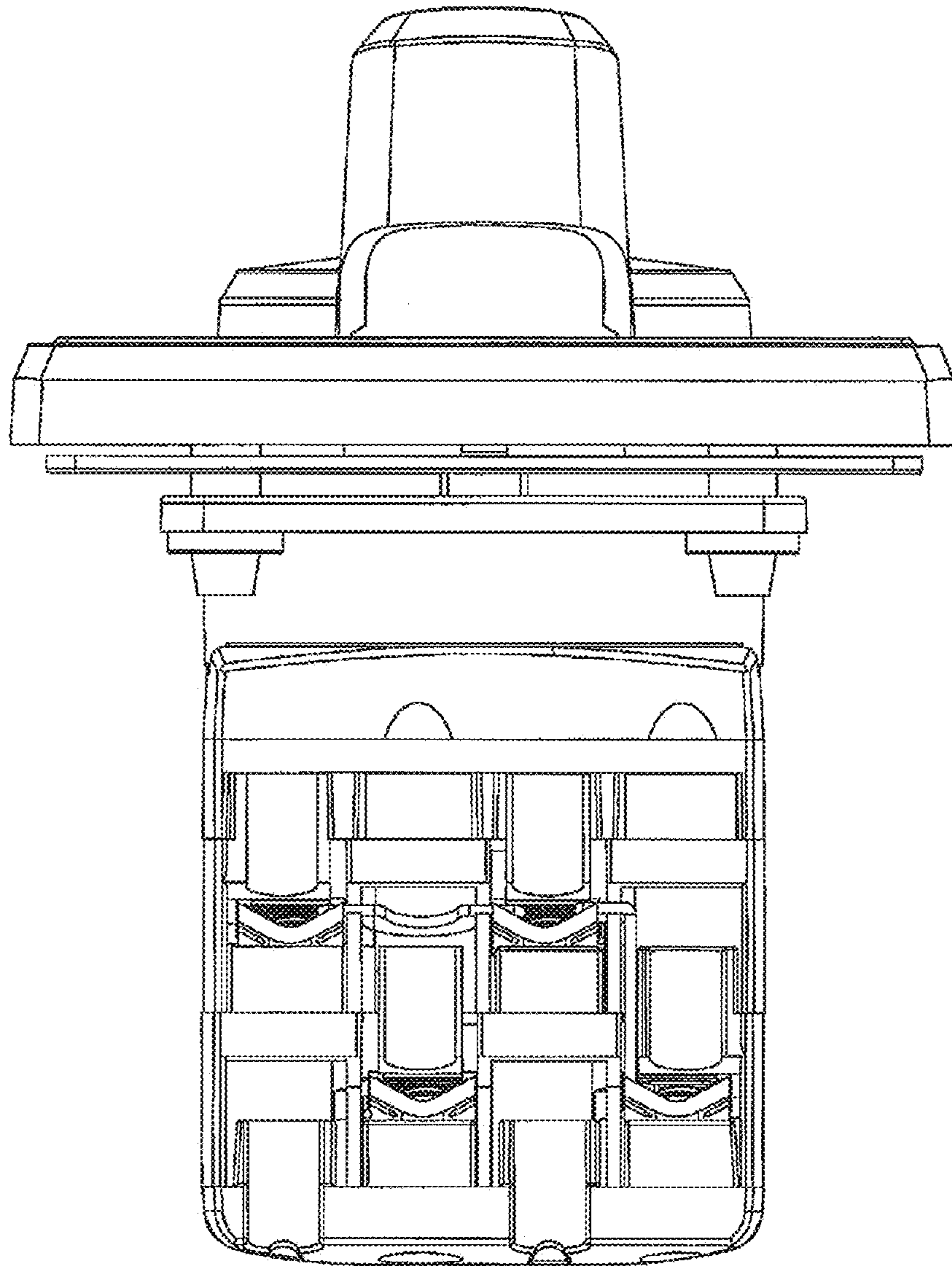


FIG. 21

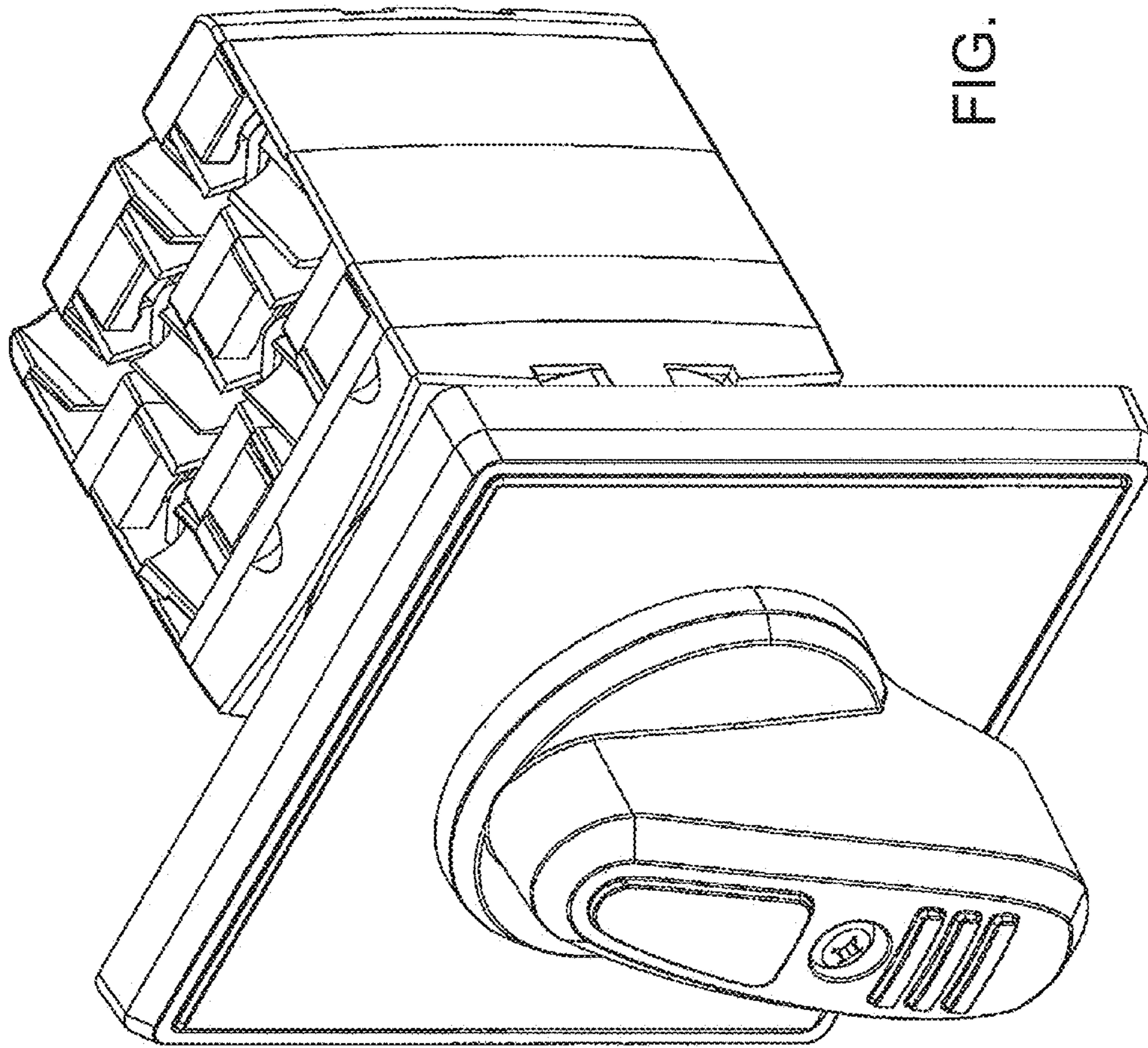


FIG. 22

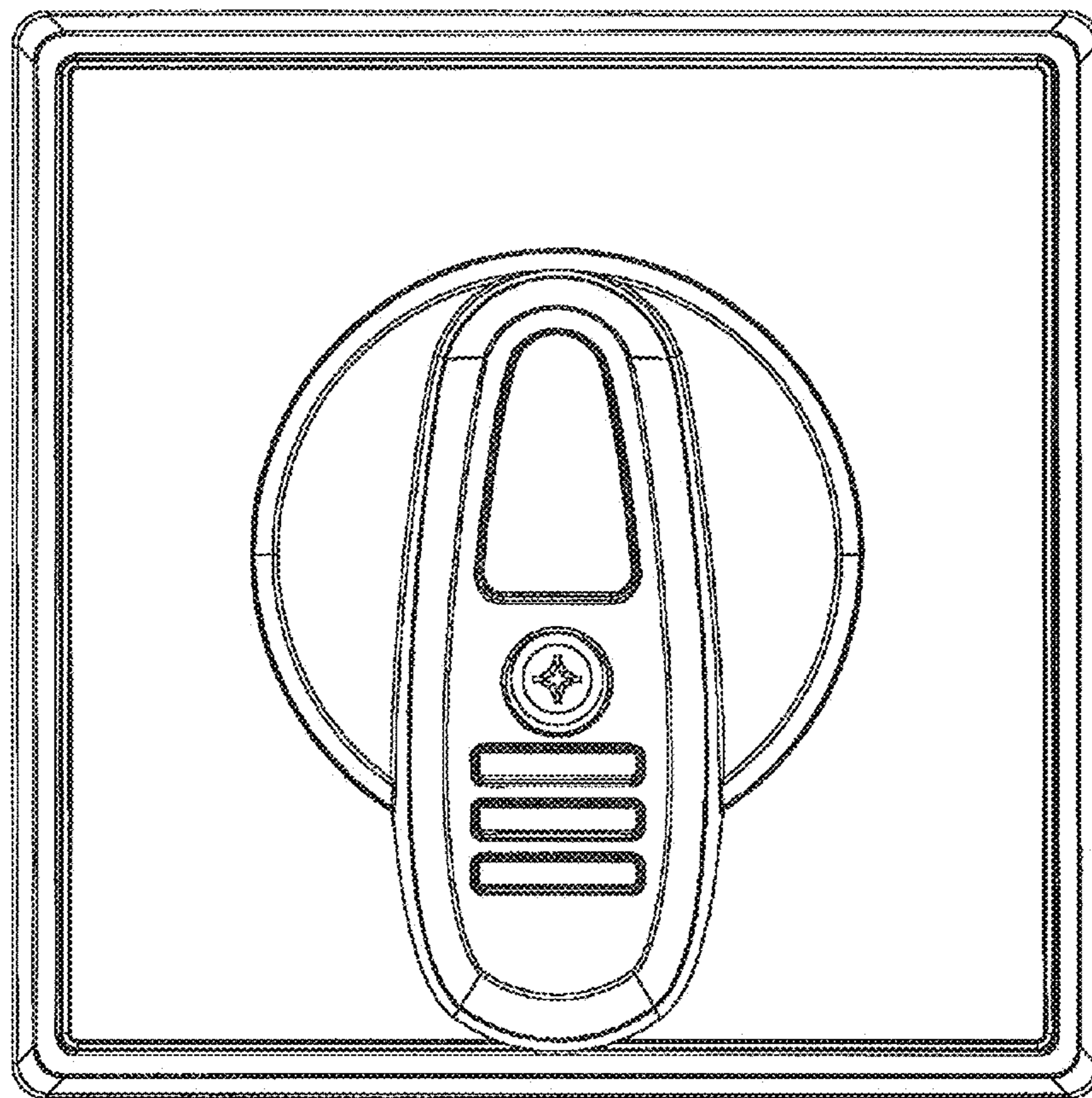


FIG. 23

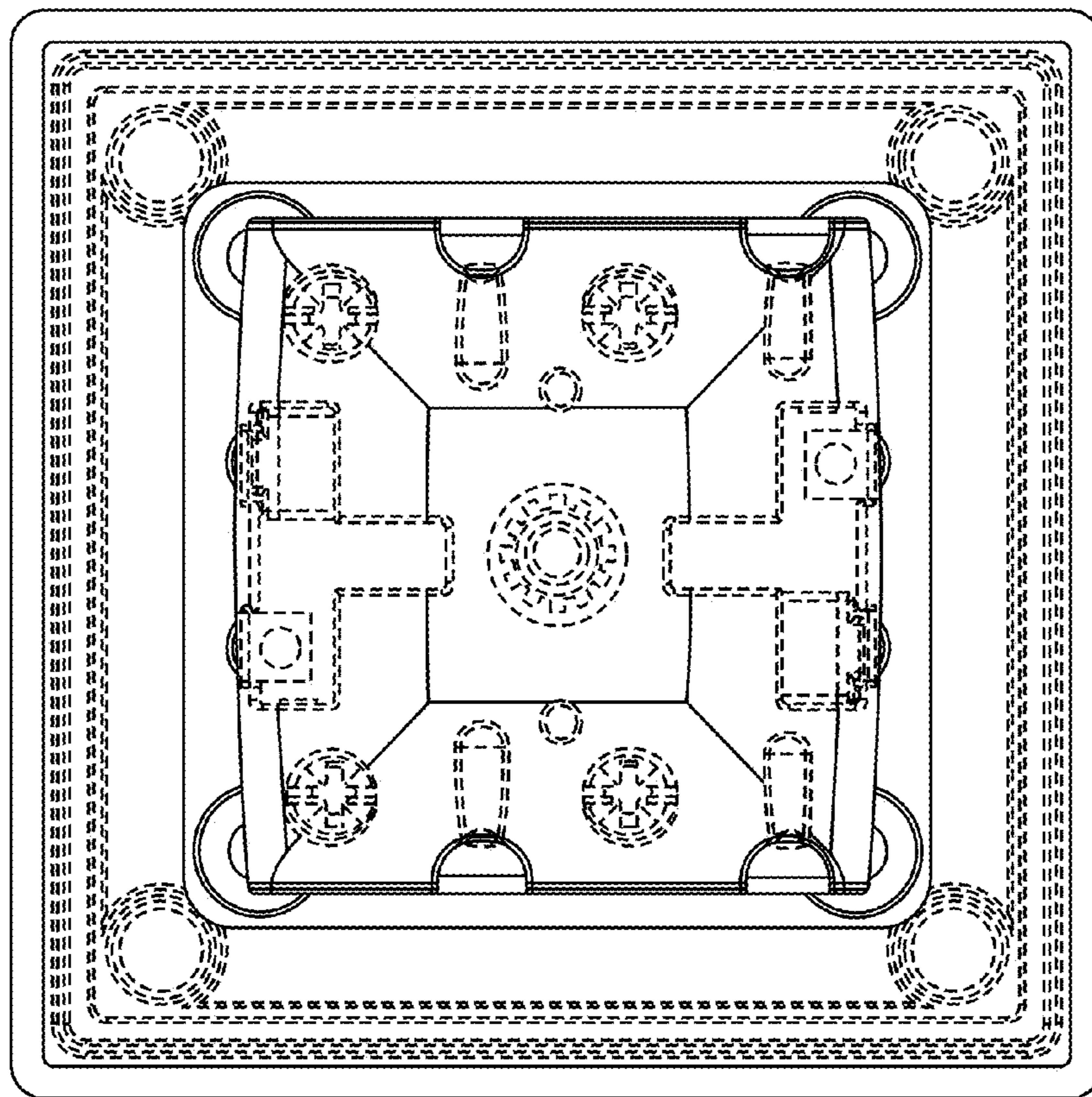


FIG. 24

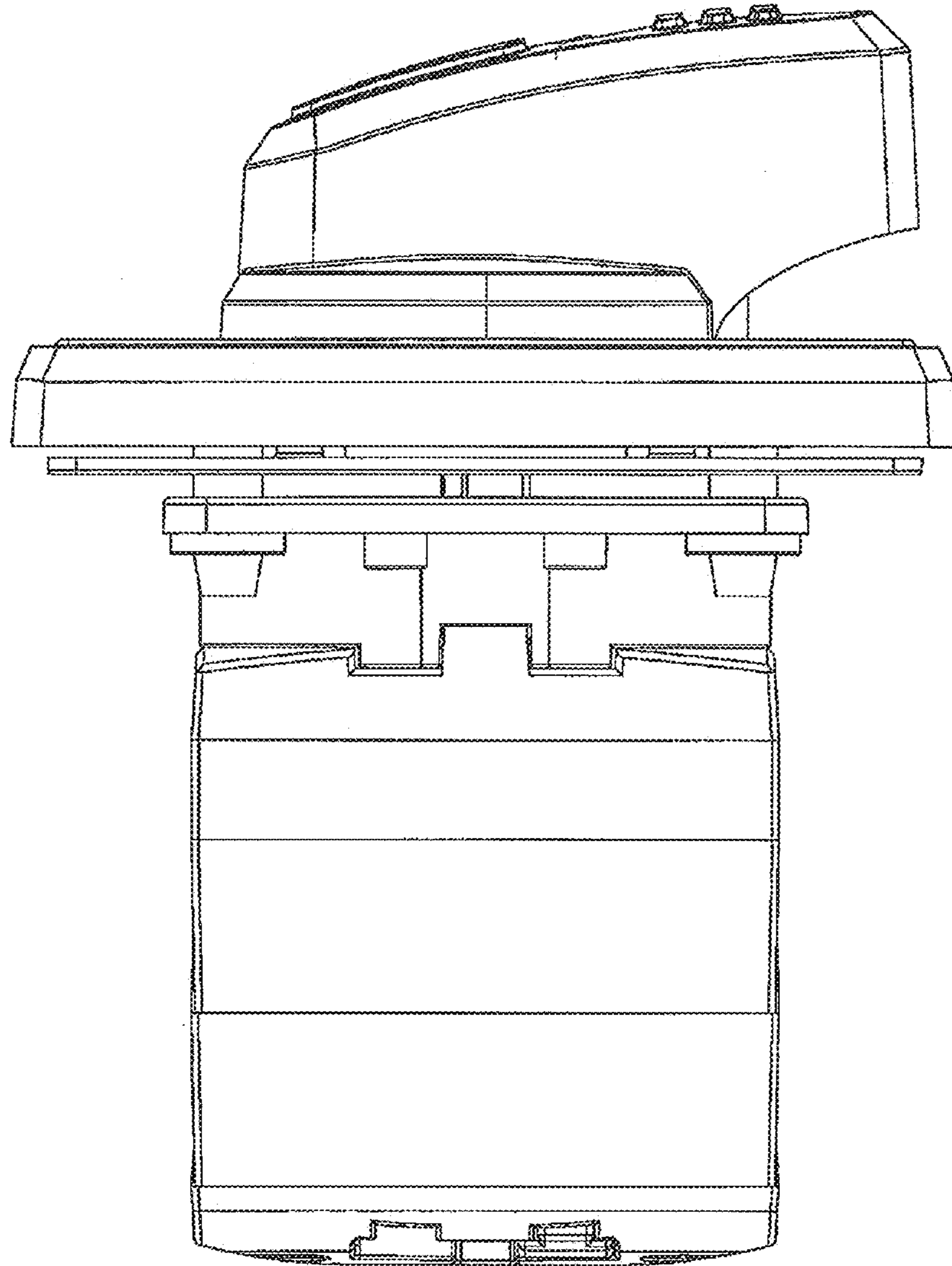


FIG. 25

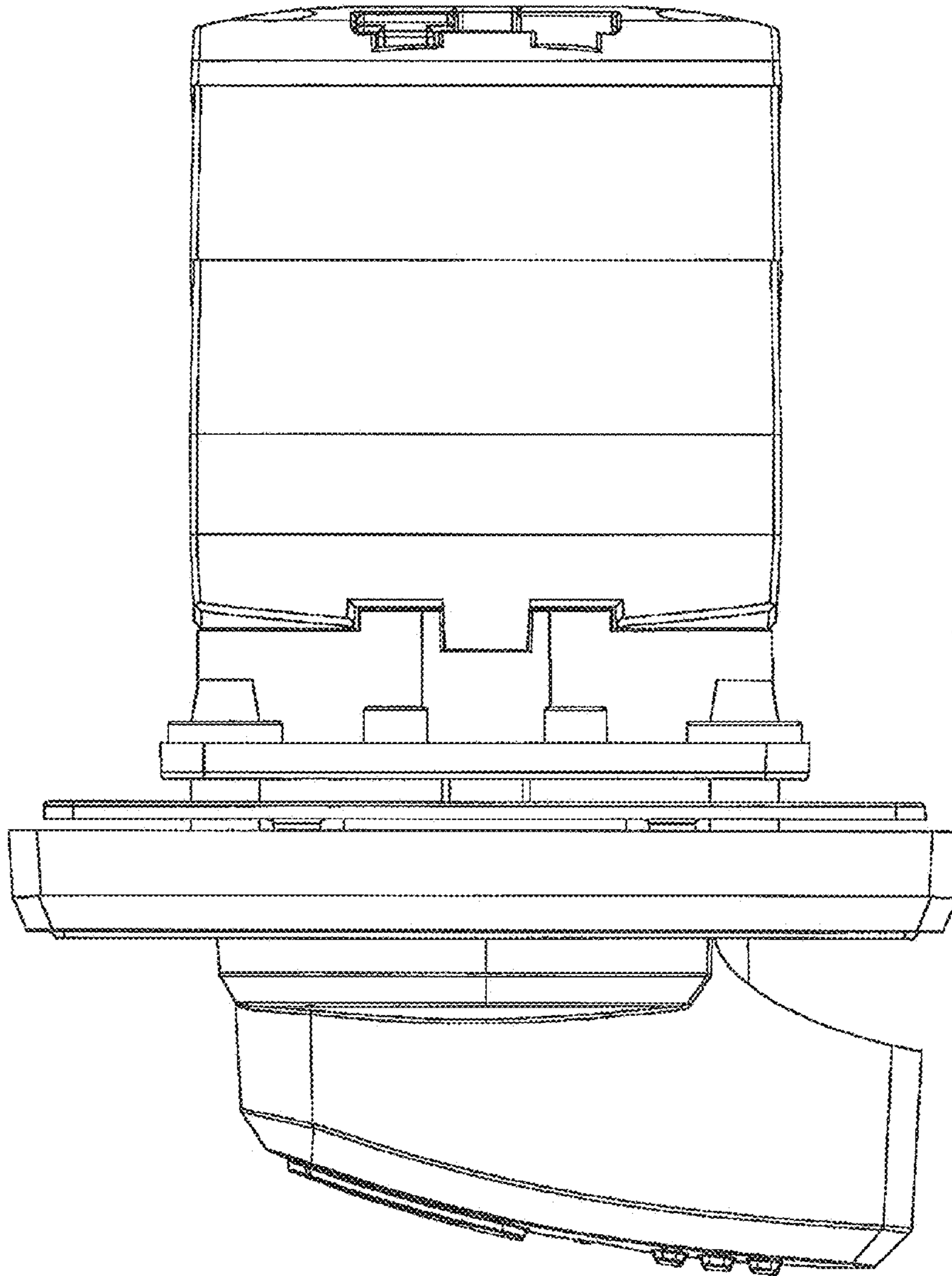


FIG. 26

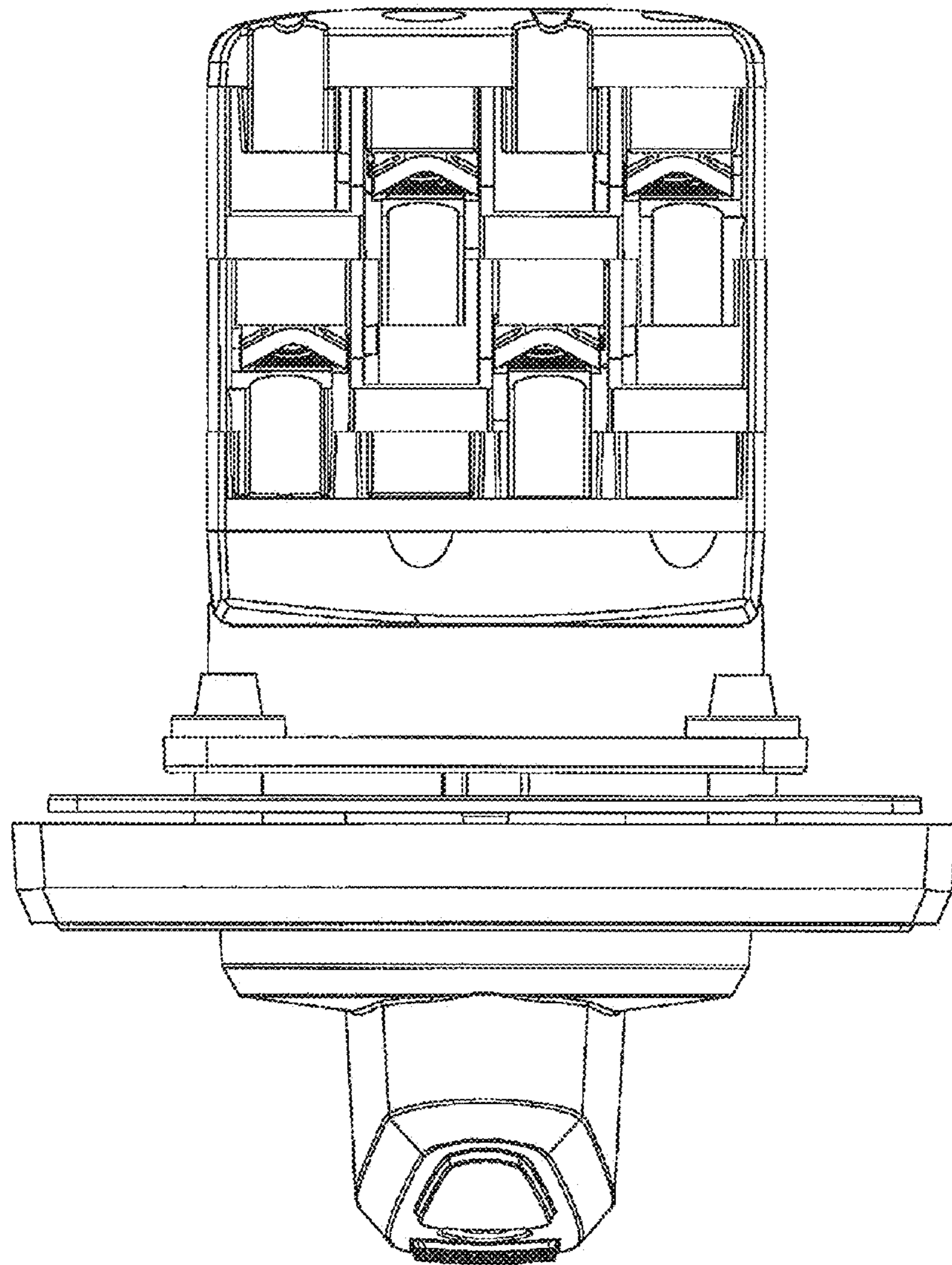


FIG. 27

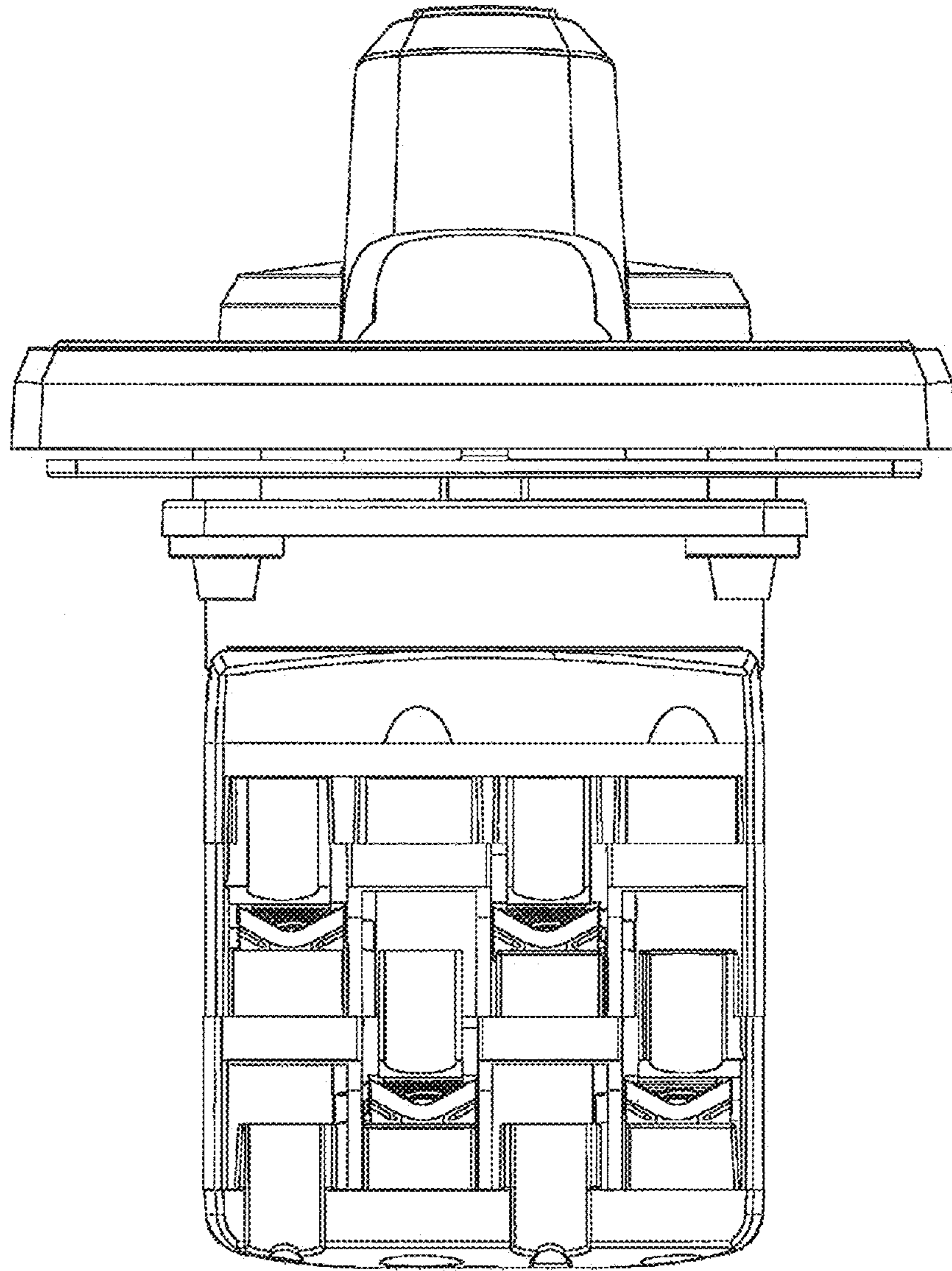


FIG. 28