



US00D753609S

(12) **United States Design Patent**
Wetzel

(10) **Patent No.:** **US D753,609 S**
(45) **Date of Patent:** **** Apr. 12, 2016**

(54) **MICRO ENVIRONMENT CONTROL SYSTEM**

(71) Applicant: **Air Innovations, Inc.**, North Syracuse, NY (US)

(72) Inventor: **Michael Wetzel**, Skaneateles, NY (US)

(73) Assignee: **Air Innovations, Inc.**, North Syracuse, NY (US)

(**) Term: **14 Years**

(21) Appl. No.: **29/501,698**

(22) Filed: **Sep. 8, 2014**

(51) **LOC (10) Cl.** **13-03**

(52) **U.S. Cl.**
USPC **D13/163; D10/49**

(58) **Field of Classification Search**
USPC D13/126, 139.4, 156, 162, 163, 164;
D10/49, 50; D14/305

CPC A47B 21/0073; A47B 21/06; G05B 15/00;
G05B 15/02; G05B 2219/2642; F24F 11/00;
F24F 11/0009; F24F 11/0012; F24F 11/0034;
F24F 2011/0071; F24D 19/10; H05B 37/0254

See application file for complete search history.

(56) **References Cited**

U.S. PATENT DOCUMENTS

D280,893 S * 10/1985 Ueda D13/164
D360,404 S * 7/1995 Cotten D13/164
5,455,748 A * 10/1995 Cotten H05B 37/029
190/1
D420,332 S * 2/2000 Lee D13/163
D431,199 S * 9/2000 Bennett D10/103
D451,890 S * 12/2001 Reese, Jr. D13/163
6,338,301 B1 * 1/2002 Almond A47B 21/06
108/26
6,366,832 B2 * 4/2002 Lomonaco F24F 11/0001
236/49.3
D460,736 S * 7/2002 Pincek D13/139.4
6,492,591 B1 * 12/2002 Metcalf A47B 21/06
174/480

D493,146 S * 7/2004 Brett D13/164
6,802,577 B2 * 10/2004 Gershfeld A47B 21/0073
108/50.01
D520,883 S * 5/2006 Hillard D10/50
7,312,393 B2 * 12/2007 McCarthy A47B 21/06
174/480
D559,710 S * 1/2008 Jacoby D10/103
D569,863 S * 5/2008 Feldstein D14/305
D626,542 S * 11/2010 Libman D13/139.4
D628,099 S * 11/2010 Libman D10/49
D639,681 S * 6/2011 Rodriguez D10/49
8,002,179 B2 * 8/2011 Feit B60K 35/00
235/382
8,138,689 B2 * 3/2012 Adenau H05B 37/0254
315/292
D657,315 S * 4/2012 Feldstein D13/139.4
D664,050 S * 7/2012 Rodriguez D10/49
2008/0281472 A1 * 11/2008 Podgorny F24F 11/0009
700/276
2012/0239205 A1 * 9/2012 Frerking F24F 11/001
700/276
2014/0265753 A1 * 9/2014 Soper A47B 21/06
312/22

* cited by examiner

Primary Examiner — Selina Sikder

(74) *Attorney, Agent, or Firm* — Harris Beach PLLC

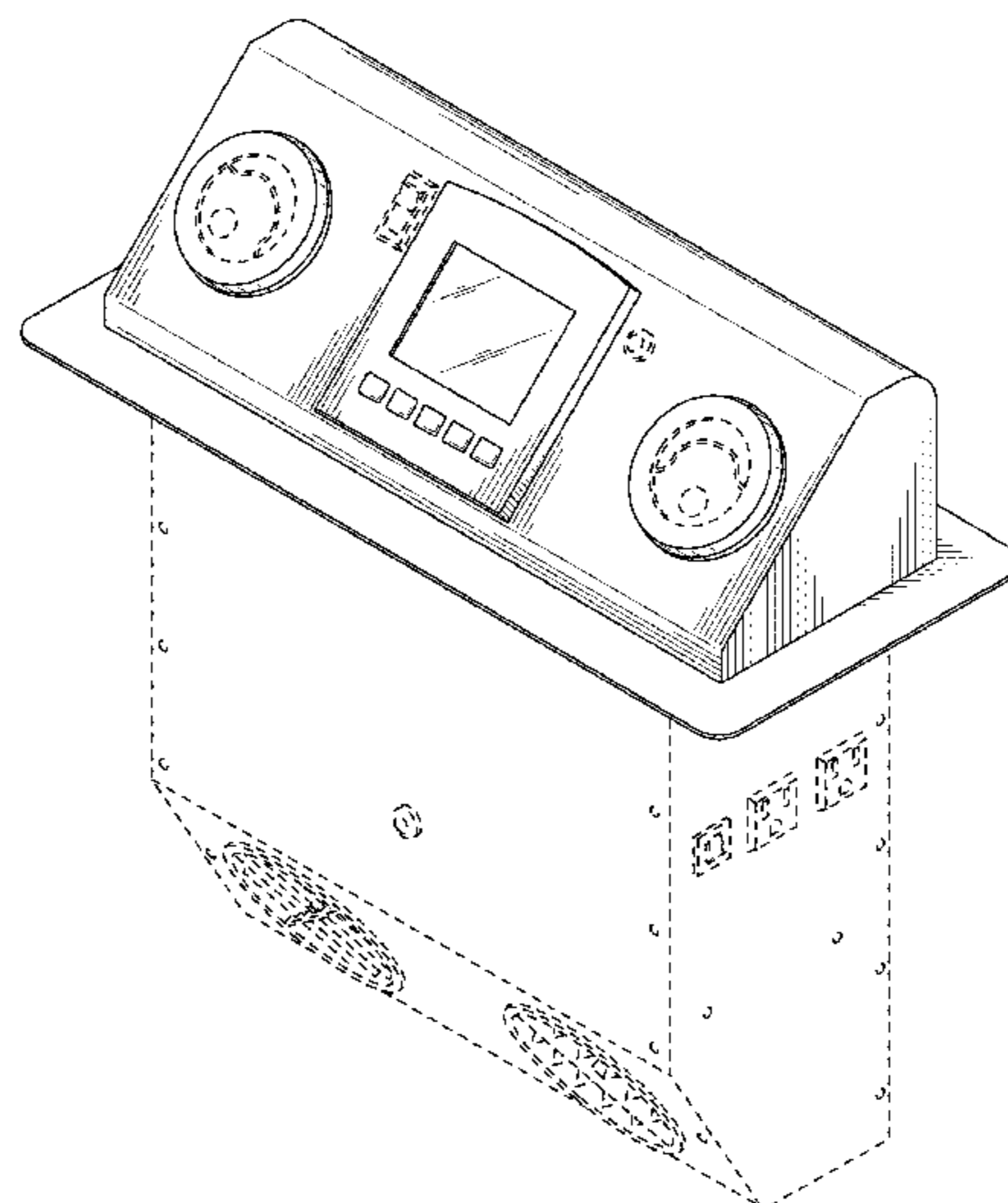
(57) **CLAIM**

The ornamental design for a micro environment control system, as shown and described.

DESCRIPTION

FIG. 1 is a perspective view of a micro environment control system, illustrating my new design;
FIG. 2 is a front view thereof;
FIG. 3 is a left elevation view thereof;
FIG. 4 is a right elevation view thereof; and,
FIG. 5 is a top plan view thereof.
In FIGS. 1-5 the broken lines are for illustrative purposes only and form no part of the claimed design.

1 Claim, 5 Drawing Sheets



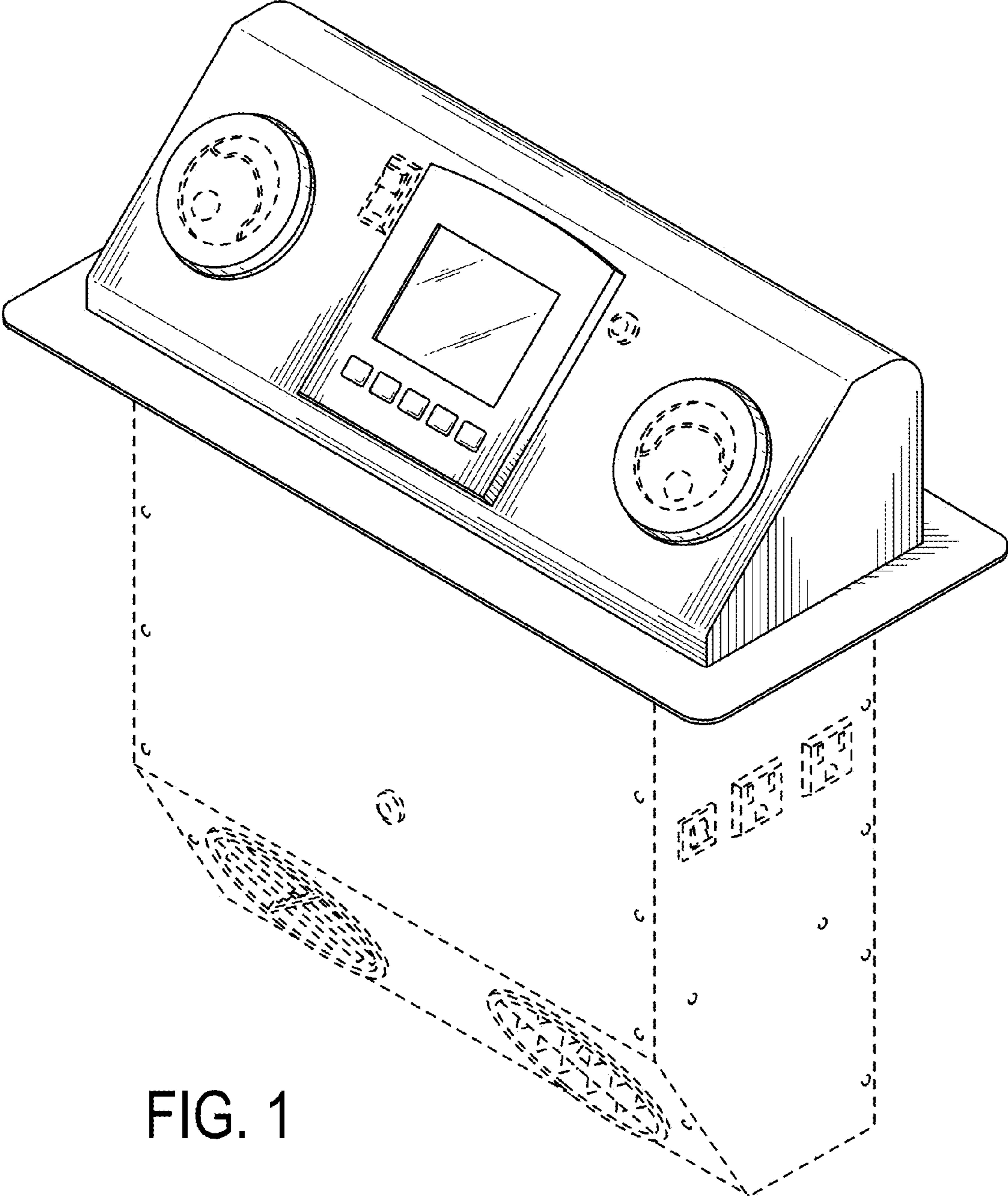


FIG. 1

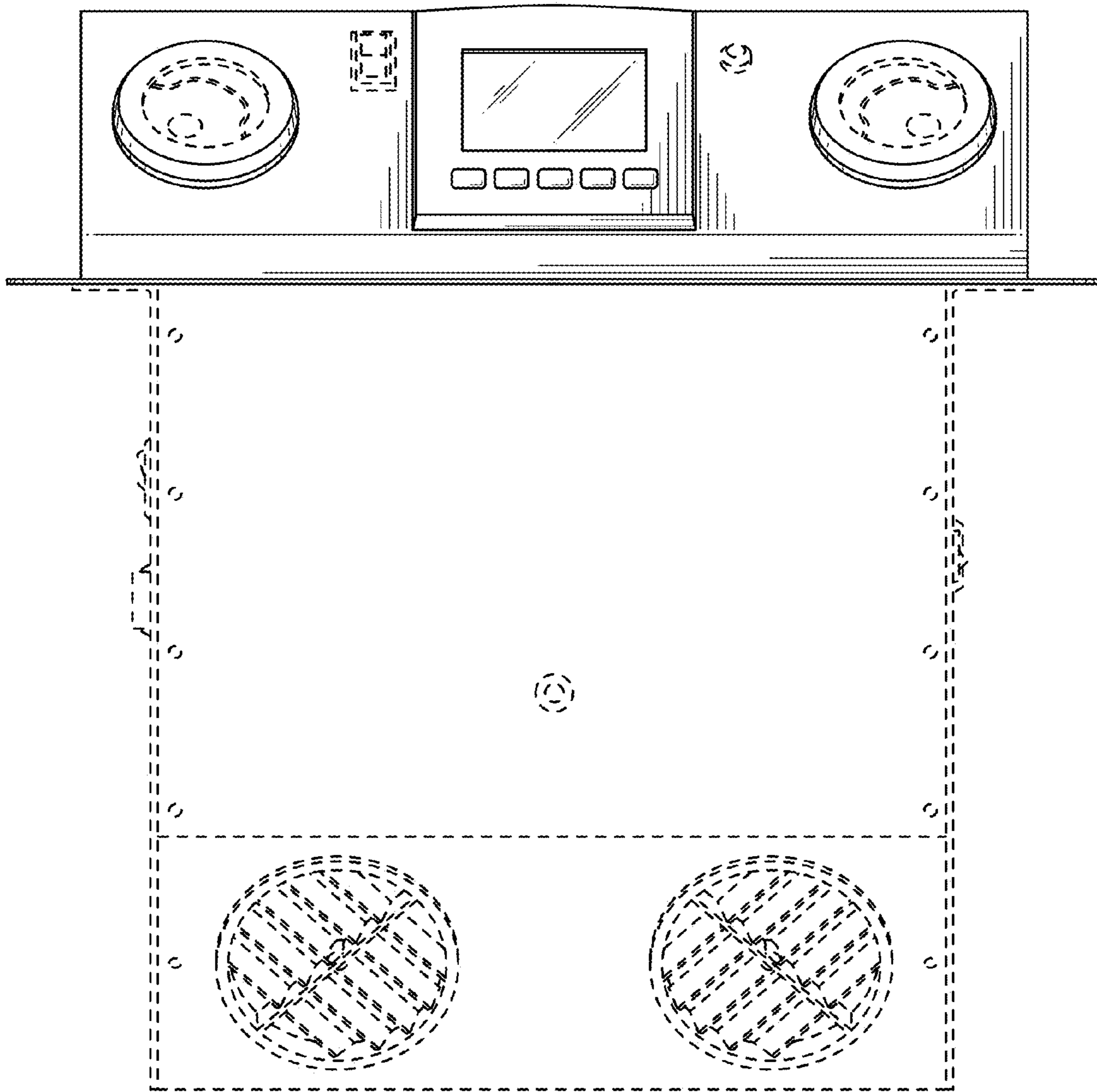


FIG. 2

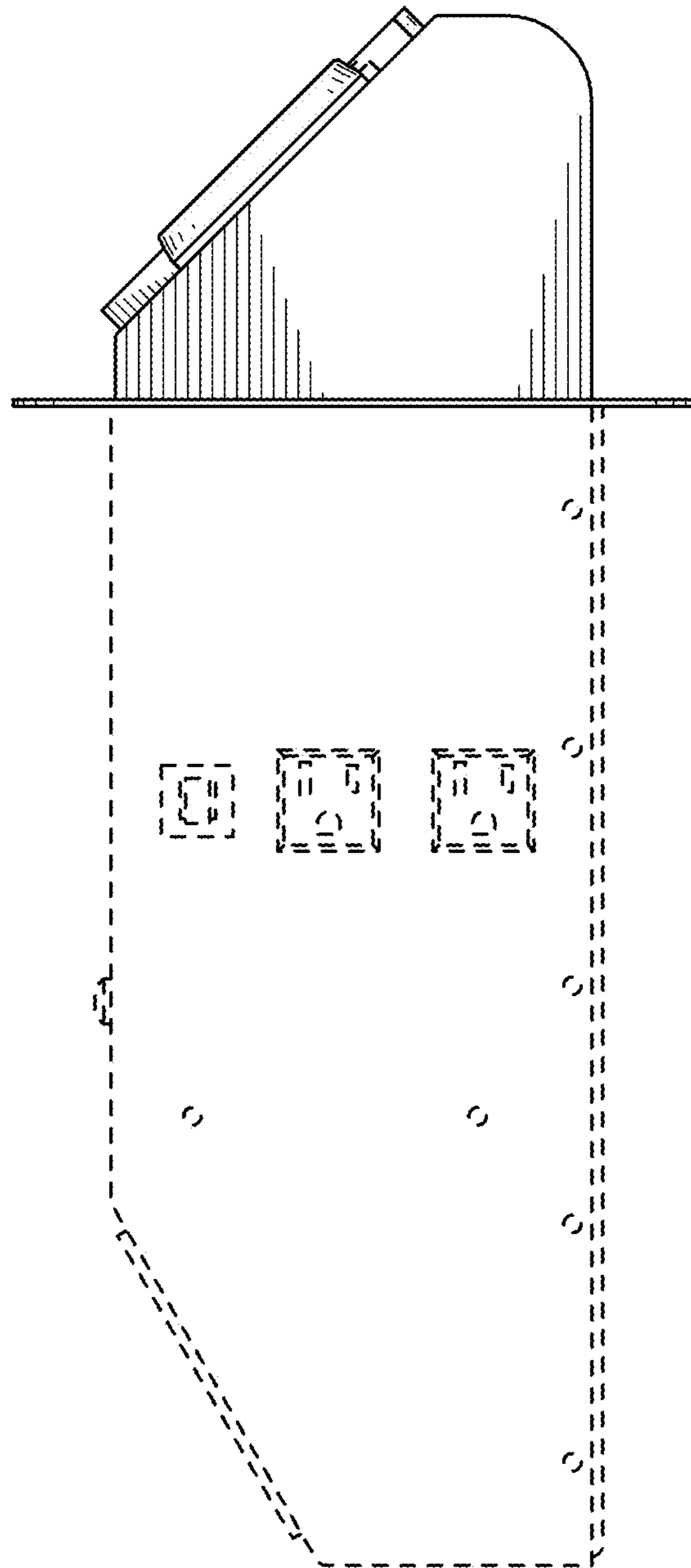


FIG. 3

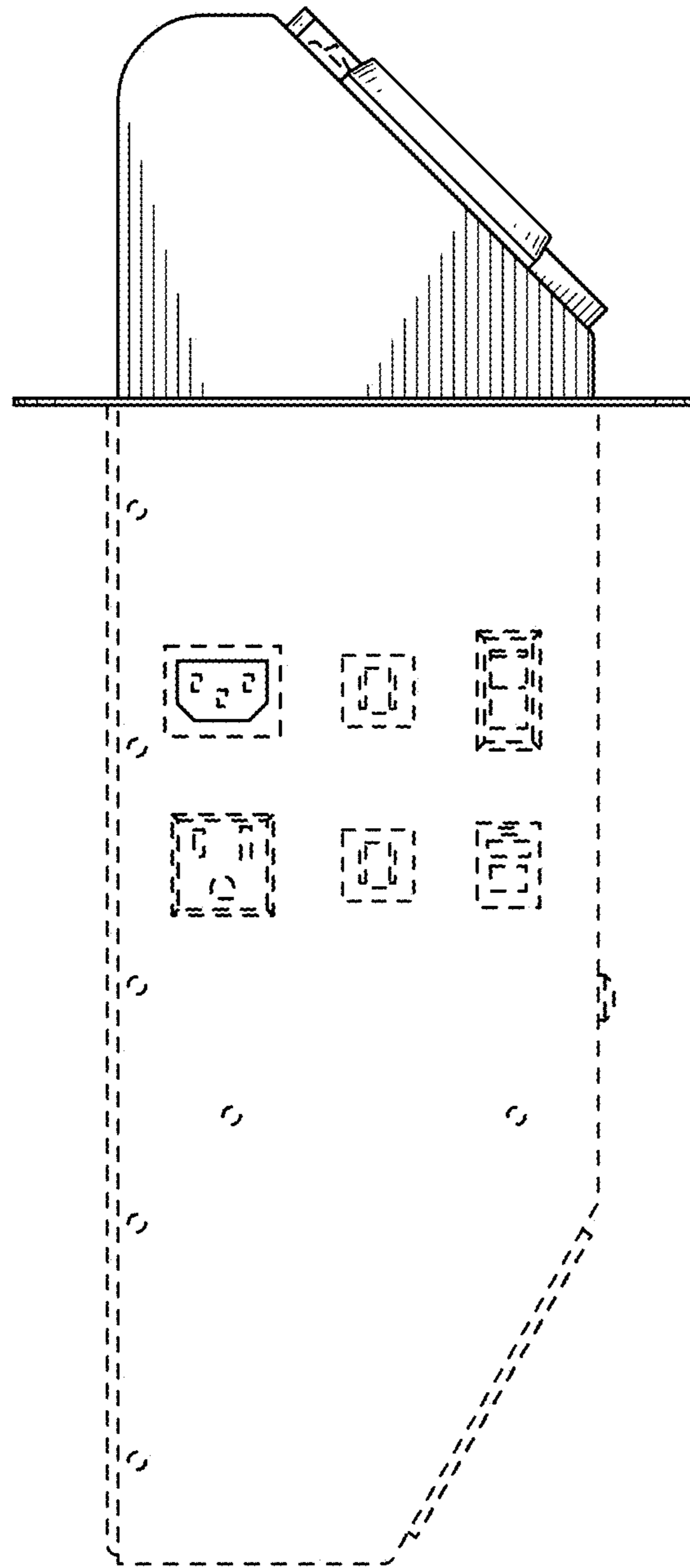


FIG. 4

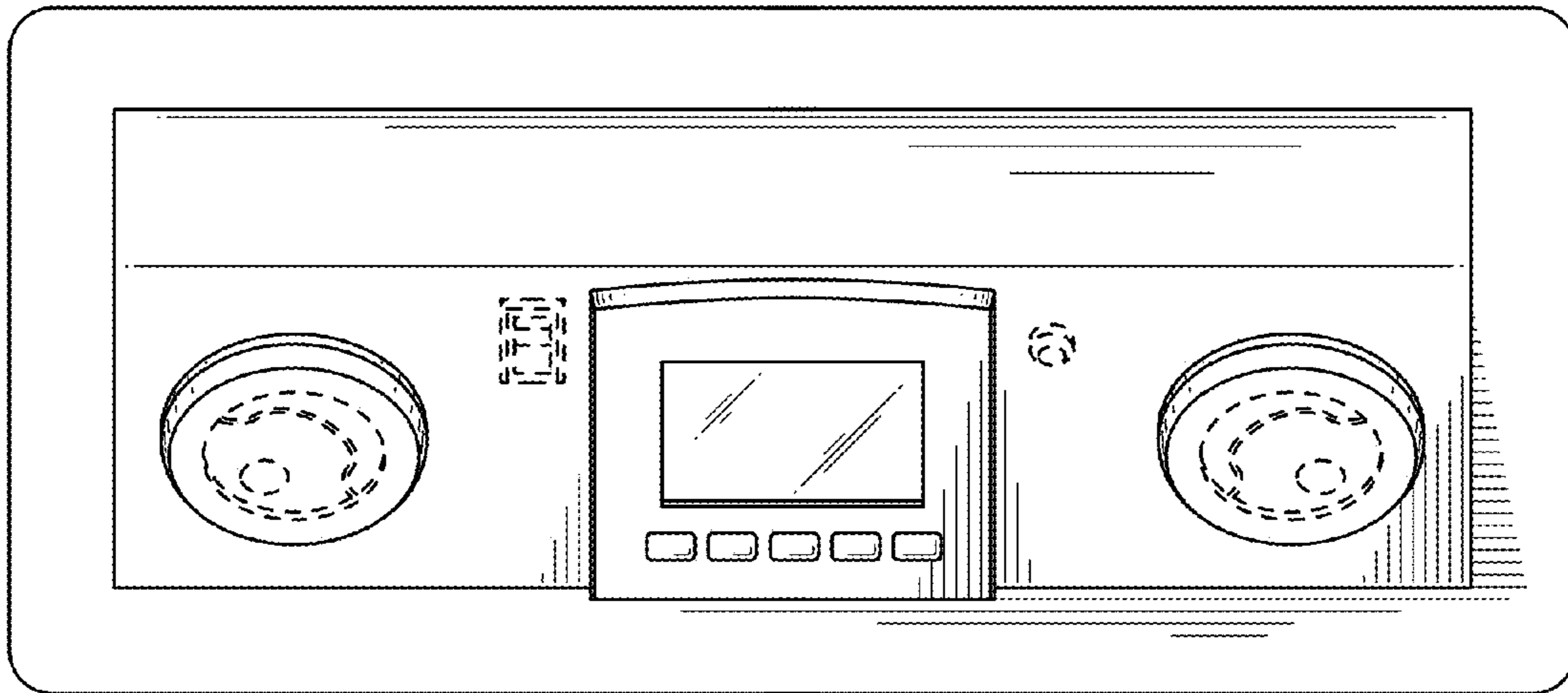


FIG. 5