



US00D753607S

(12) **United States Design Patent**
Lee et al.

(10) **Patent No.:** **US D753,607 S**
(45) **Date of Patent:** **** Apr. 12, 2016**

(54) **NUMERICAL CONTROLLER FOR PROCESSING MACHINE**

(71) Applicant: **MITSUBISHI ELECTRIC CORPORATION**, Tokyo (JP)

(72) Inventors: **Hongkue Lee**, Tokyo (JP); **Takanori Miyake**, Tokyo (JP); **Hiroichiro Shimano**, Tokyo (JP); **Shinichi Kato**, Tokyo (JP); **Yuki Mizushi**, Tokyo (JP)

(73) Assignee: **Mitsubishi Electric Corporation**, Tokyo (JP)

(**) Term: **14 Years**

(21) Appl. No.: **29/513,502**

(22) Filed: **Dec. 31, 2014**

(30) **Foreign Application Priority Data**

Jul. 17, 2014 (JP) 2014-015652

(51) **LOC (10) Cl.** **13-03**

(52) **U.S. Cl.**
USPC **D13/162; D15/122**

(58) **Field of Classification Search**
USPC D13/162; D10/125; D14/307, 316, 335, D14/336, 375; D15/122, 127
CPC .. G05B 19/0426; G05B 19/05; G05B 19/409; G06F 3/0489

See application file for complete search history.

(56) **References Cited**

U.S. PATENT DOCUMENTS

5,175,408 A * 12/1992 Takashima B23H 7/36
219/69.12
5,724,069 A * 3/1998 Chen G06F 3/0489
345/172
D406,830 S * 3/1999 Herbstritt D10/103

D541,278 S * 4/2007 Hsu D14/336
D559,792 S * 1/2008 Gemme D13/162
D573,108 S * 7/2008 Pan D13/164
D631,899 S * 2/2011 Hosl D15/122
7,978,465 B2 * 7/2011 Osaka G05B 19/05
248/917
D649,172 S * 11/2011 Hosl D15/122
D680,108 S * 4/2013 Kumagai D14/336
D688,659 S * 8/2013 Yusef D14/335
D696,314 S * 12/2013 Makida D15/122
D697,062 S * 1/2014 Nagai D14/307
D712,396 S * 9/2014 Johnson D14/307
D716,857 S * 11/2014 Shimano D15/122
D717,295 S * 11/2014 Jensen D14/315
D742,945 S * 11/2015 Lee D15/122

* cited by examiner

Primary Examiner — Selina Sikder

(74) *Attorney, Agent, or Firm* — Studebaker & Brackett PC

(57) **CLAIM**

The ornamental design for a numerical controller for processing machine, as shown and described.

DESCRIPTION

FIG. 1 is a perspective view thereof;
FIG. 2 is a front view thereof;
FIG. 3 is a rear view thereof;
FIG. 4 is a left side view thereof;
FIG. 5 is a right side view thereof;
FIG. 6 is a top view thereof;
FIG. 7 is a bottom view thereof;
FIG. 8 is a reference perspective view in a state where a monitor is moved; and,
FIG. 9 is a reference right side view of usage.
The broken lines shown represent unclaimed subject matter of a numerical controller for processing machine and form no part of the claimed design.

1 Claim, 9 Drawing Sheets

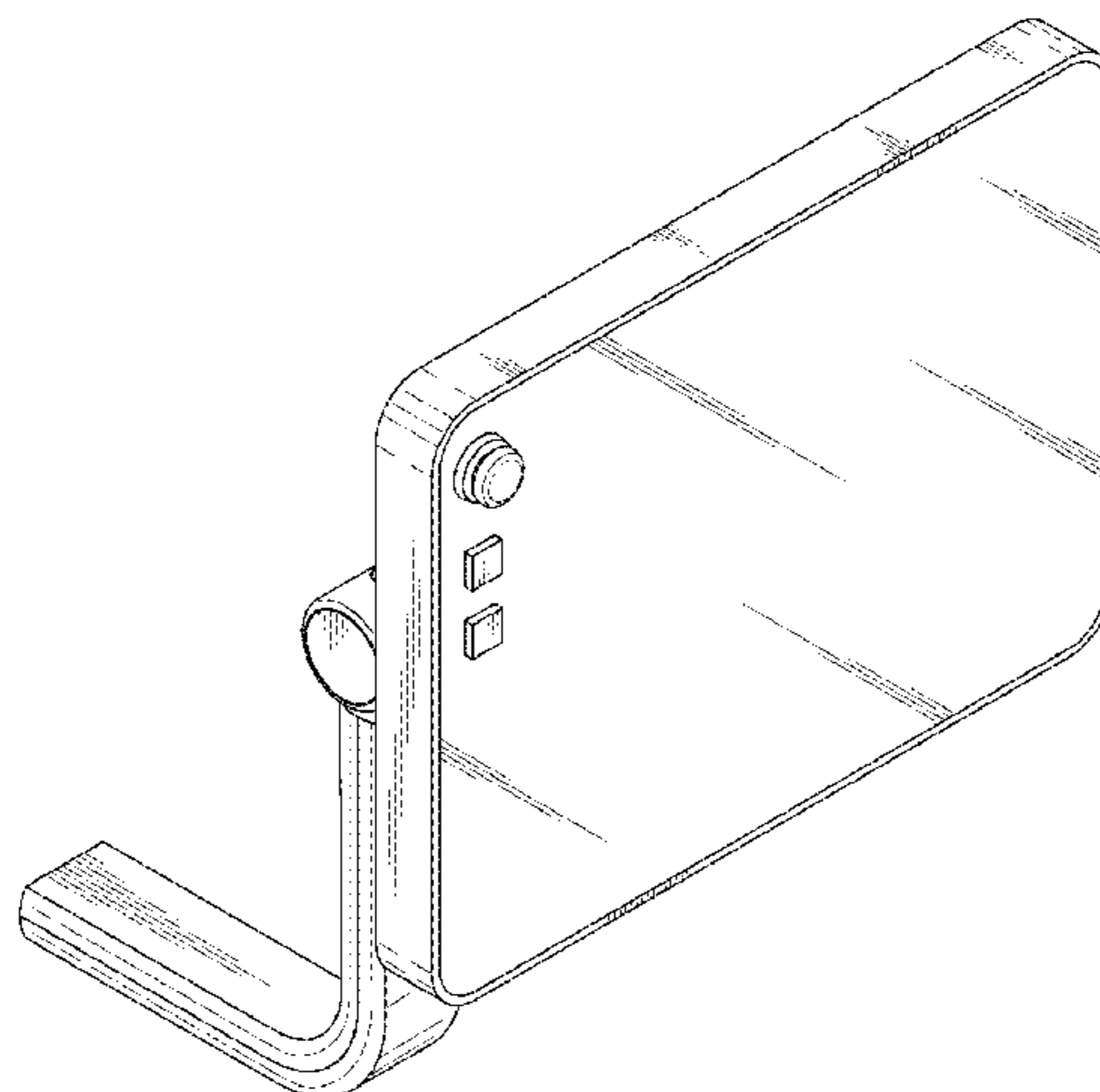


Fig. 1

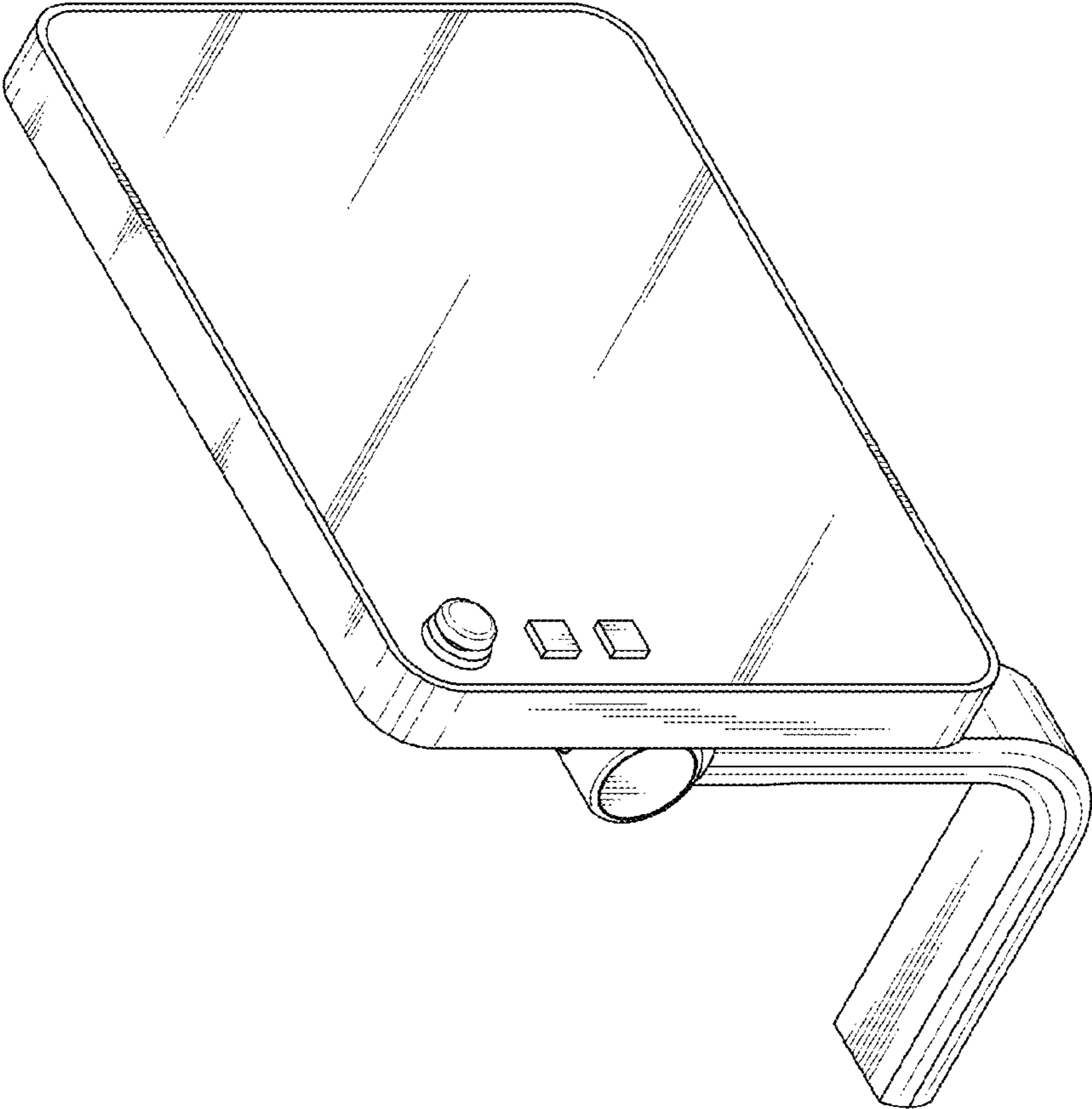


Fig. 2

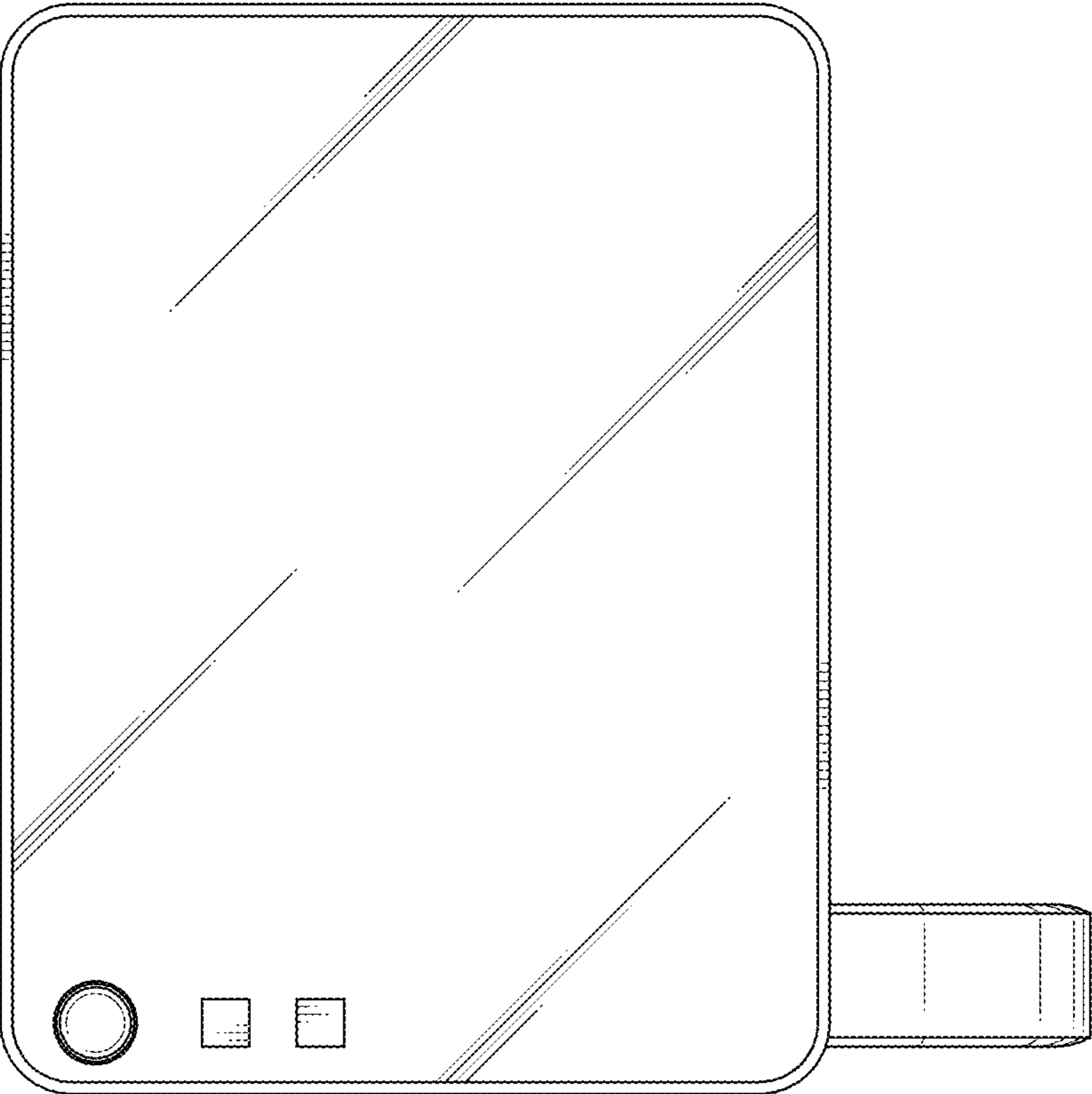
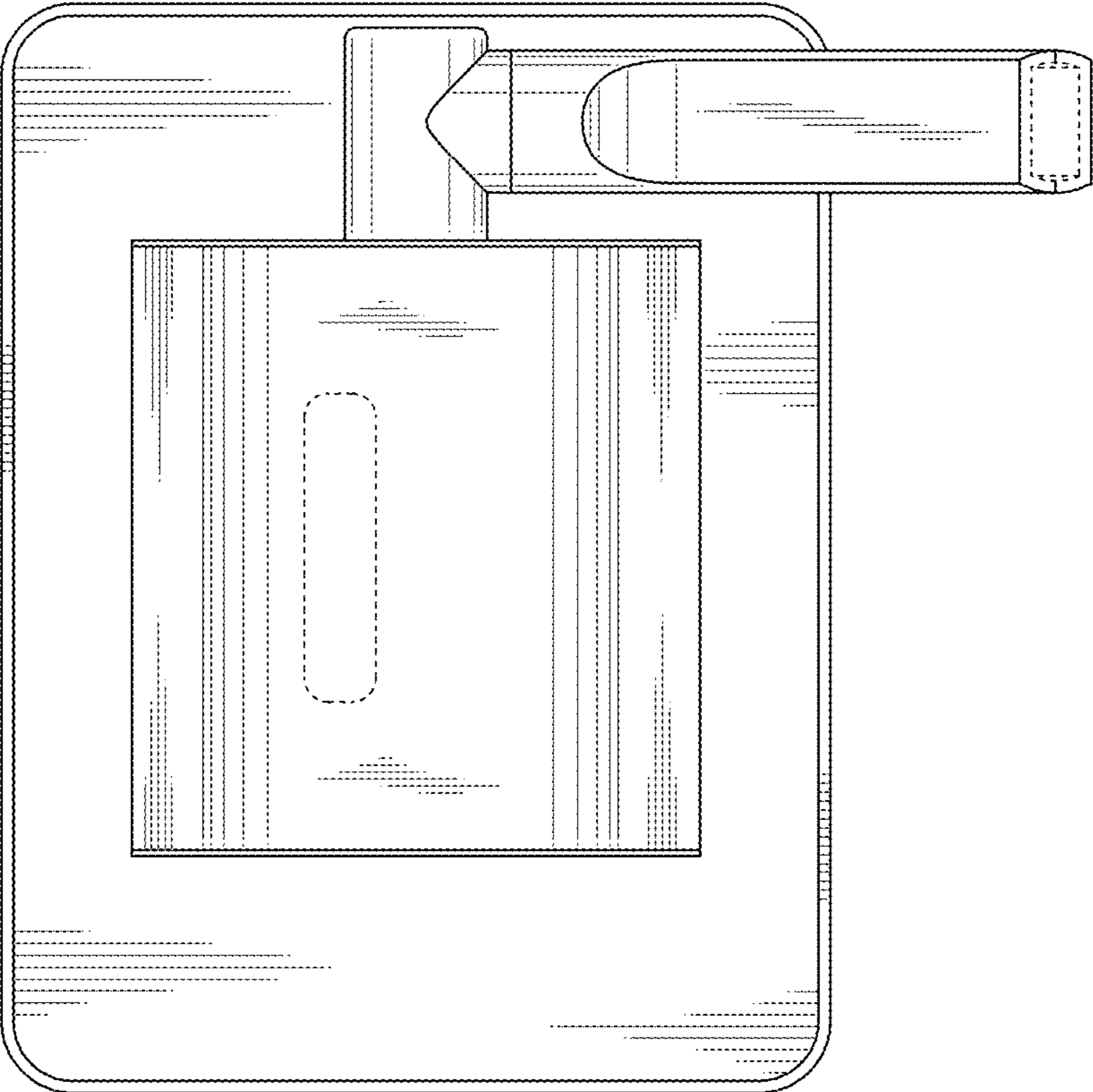


Fig. 3



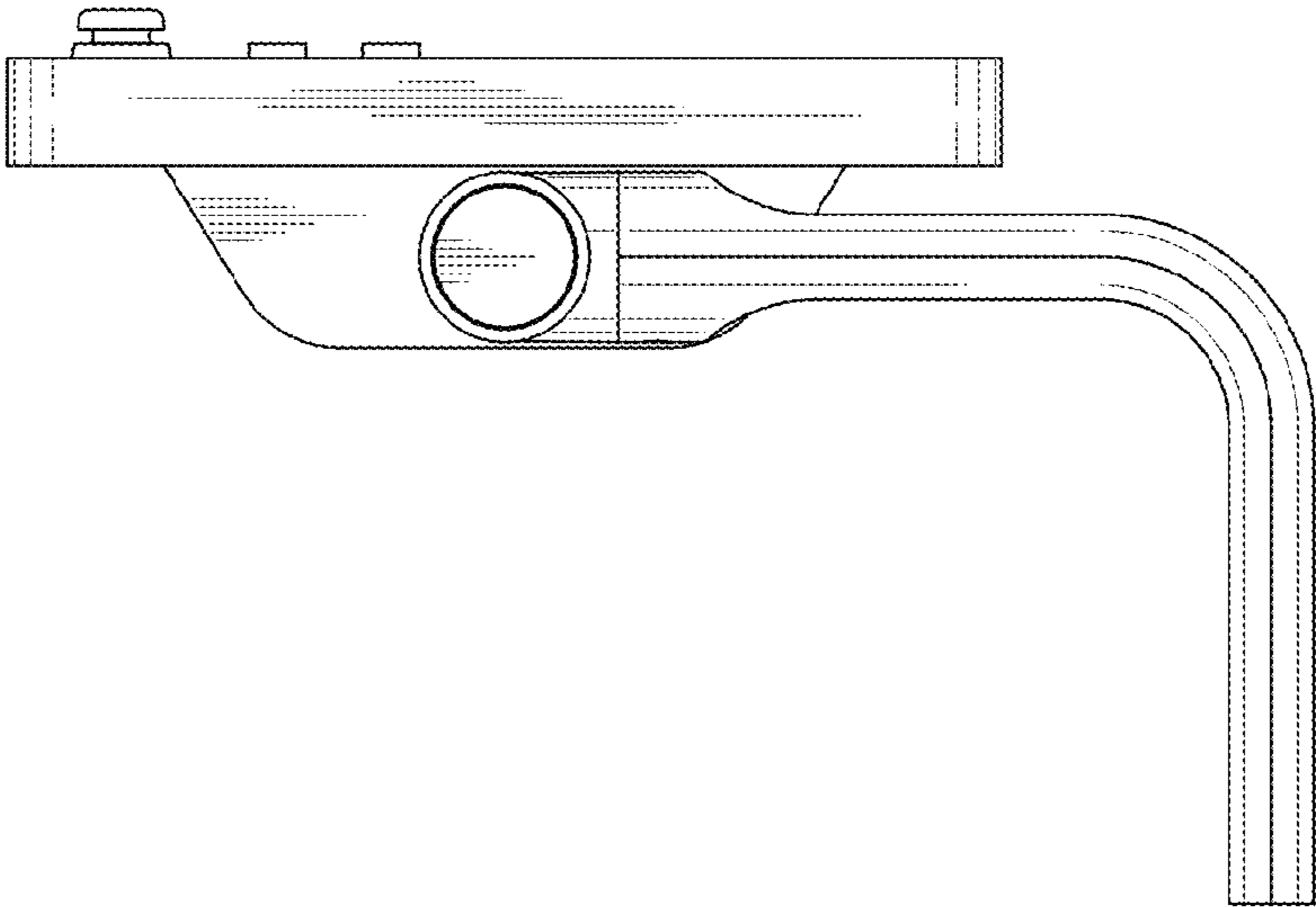


Fig. 4

Fig. 5

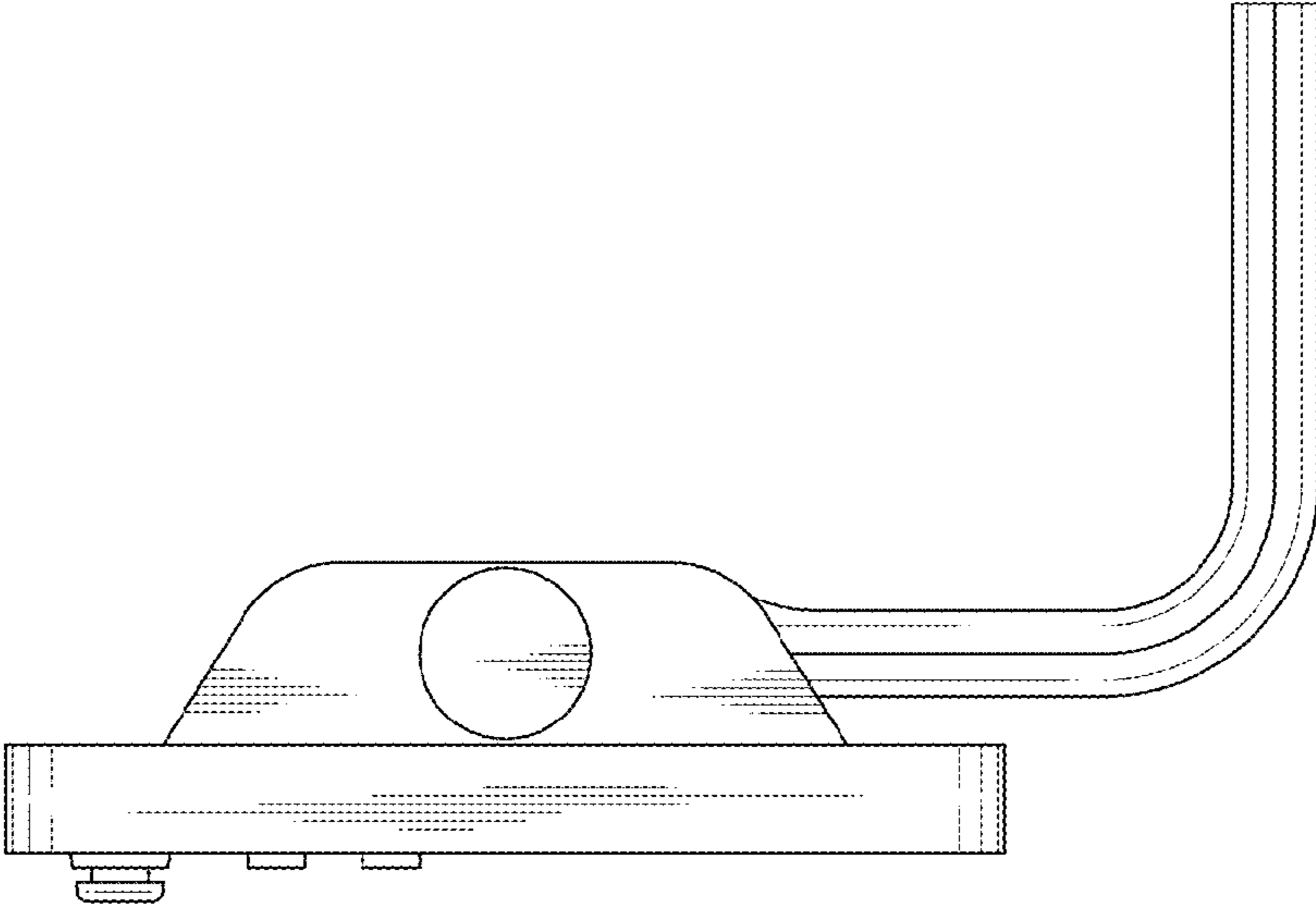


Fig. 6

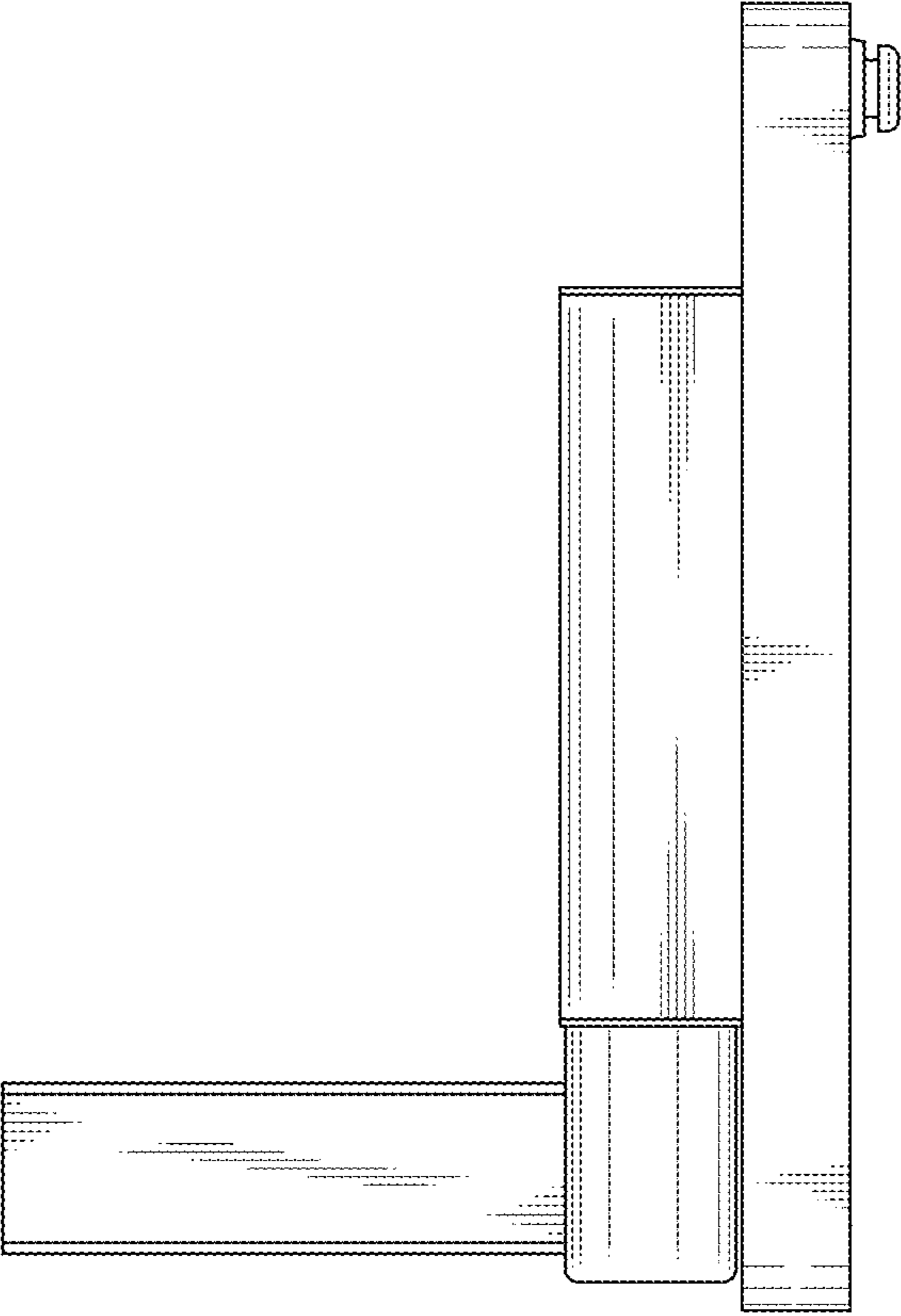


Fig. 7

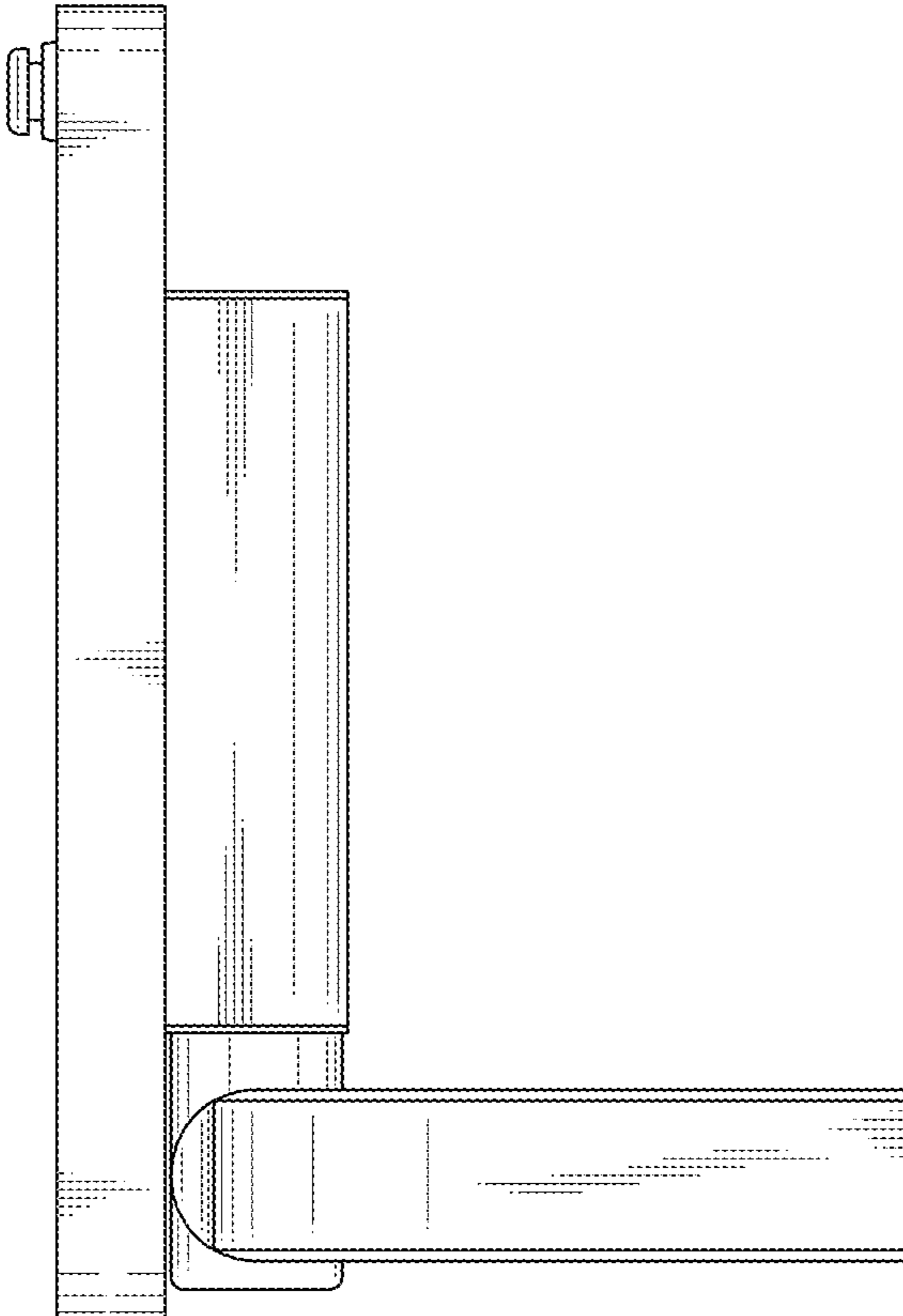


Fig. 8

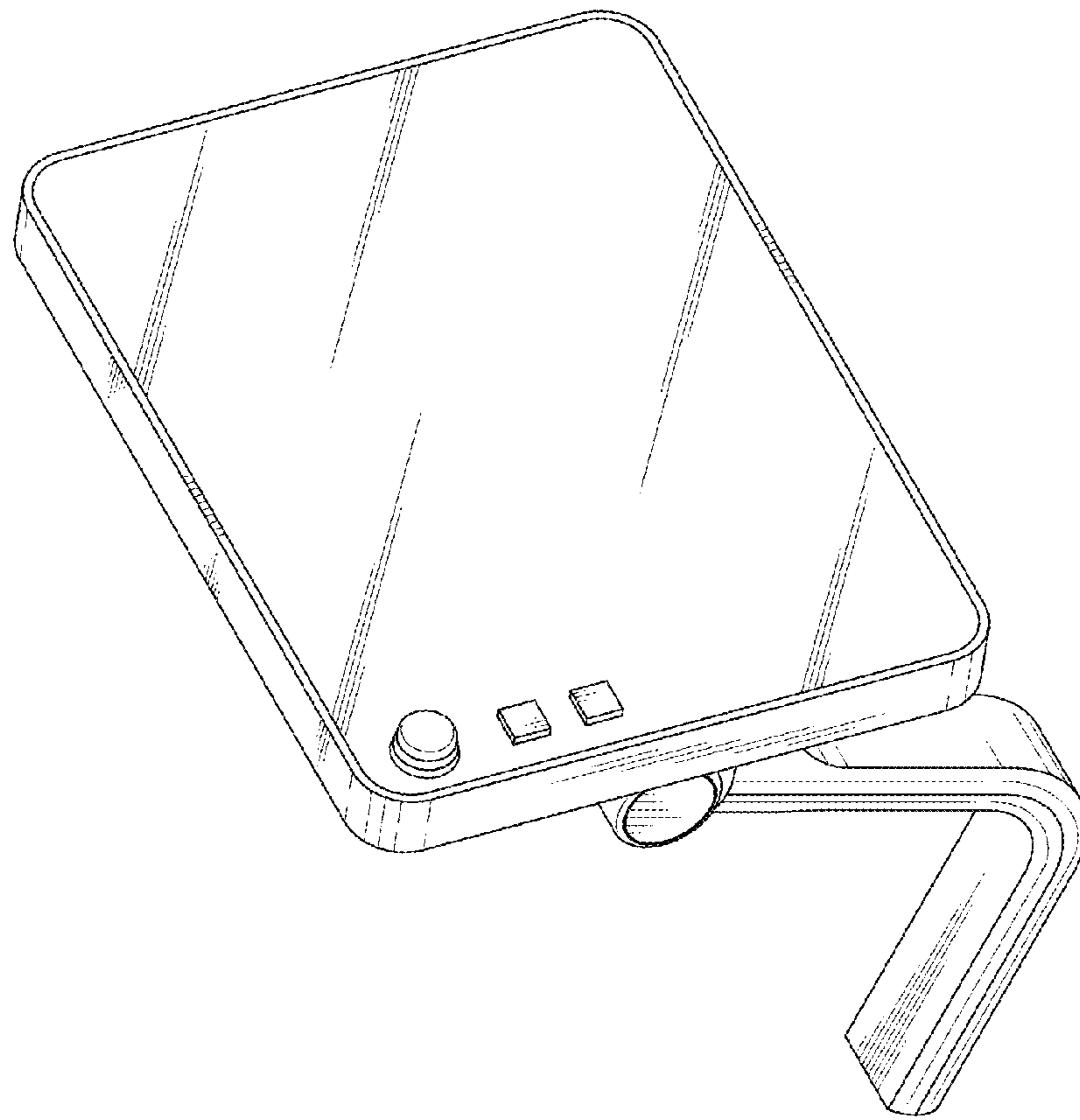


Fig. 9

