



US00D753606S

(12) **United States Design Patent**
Nooner

(10) **Patent No.:** **US D753,606 S**
(45) **Date of Patent:** **** Apr. 12, 2016**

(54) **ELECTRICAL CORD CONNECTION COVER**

(71) Applicant: **Midwest Innovative Products, LLC,**
Orland Park, IL (US)

(72) Inventor: **Bryan Nooner,** Orland Park, IL (US)

(73) Assignee: **Midwest Innovative Products, LLC,**
Frankfort, IL (US)

(**) Term: **14 Years**

(21) Appl. No.: **29/483,894**

(22) Filed: **Mar. 4, 2014**

4,066,321 A	1/1978	Villazon	
5,135,409 A	8/1992	Thompson	
5,217,387 A	6/1993	Hull	
5,259,782 A	11/1993	Giffin	
5,561,269 A	10/1996	Robertson	
5,594,210 A	1/1997	Yabe	
5,755,588 A	5/1998	Sweatman	
5,913,692 A *	6/1999	Targett	H01R 13/6397 439/367
6,250,946 B1	6/2001	Tardy	
D473,524 S *	4/2003	Koehler	D13/156
7,189,100 B1	3/2007	Colbourne	
7,285,725 B1	10/2007	Saman	
D569,349 S *	5/2008	Preston	D13/156
7,384,297 B2 *	6/2008	King, Jr.	H02G 3/081 439/369
7,465,182 B1	12/2008	McDonald	
D586,757 S *	2/2009	Minnick	D13/156
7,553,181 B1	6/2009	Van Dalinda, III	
2005/0147361 A1	7/2005	Hovland	

Related U.S. Application Data

(63) Continuation of application No. 13/772,859, filed on Feb. 21, 2013, now Pat. No. 8,870,587, which is a continuation-in-part of application No. 13/597,590, filed on Aug. 29, 2012, now Pat. No. 8,702,440.

(51) **LOC (10) Cl.** **13-03**

(52) **U.S. Cl.**
USPC **D13/156**

(58) **Field of Classification Search**
USPC D13/156, 133, 149, 153, 155, 184, 199;
D3/201, 273, 294; D9/424, 426, 428,
D9/429; D28/73, 82; 174/68.1, 266, 72 C;
439/367, 369, 384, 499; D8/354
CPC H01R 13/46; H01R 13/62; H01R 13/516;
H01R 13/5221; H01R 13/6392; H01R
13/6397; H01R 24/00; H01R 24/30
See application file for complete search history.

(56) **References Cited**

U.S. PATENT DOCUMENTS

3,014,194 A	12/1961	Berglund	
3,344,393 A	9/1967	Hendee	
D231,534 S *	4/1974	Carder	D13/155

OTHER PUBLICATIONS

PCT, Notification of Transmittal of the International Search Report and The Written Opinion of the International Searching Authority, or the Declaration, in Application No. PCT/US2012/052795, dated Nov. 14, 2012. (12 pages).

(Continued)

Primary Examiner — Derrick Holland

(74) *Attorney, Agent, or Firm* — McAndrews, Held & Malloy, Ltd.

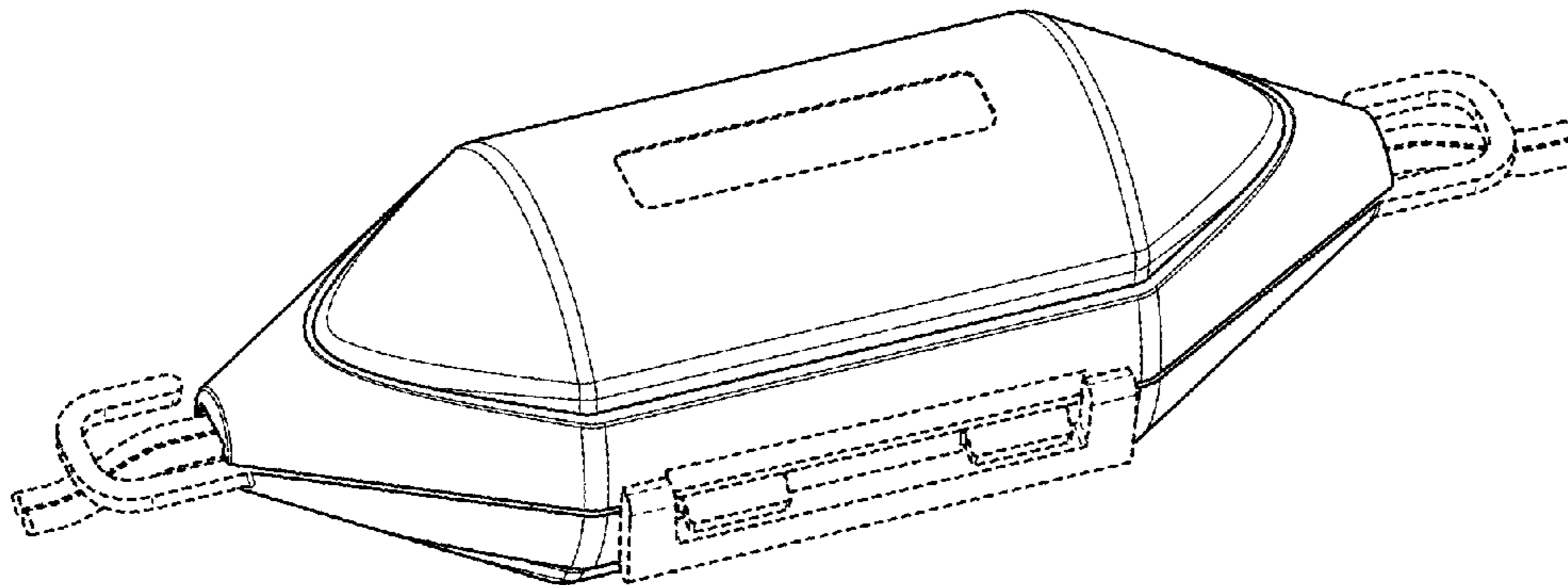
(57) **CLAIM**

The ornamental design for an electrical cord connection cover, as shown and described.

DESCRIPTION

The SOLE FIGURE is a top perspective view for an electrical cord connection cover showing my new design. The broken lines shown represent unclaimed subject matter and form no part of the claimed design.

1 Claim, 1 Drawing Sheet



(56)

References Cited

OTHER PUBLICATIONS

PCT, Notification Concerning Transmittal of International Preliminary Report on Patentability, in Application No. PCT/US2012/052795, dated Mar. 13, 2014. (6 pages).

PCT, Notification of Transmittal of The International Search Report and The Written Opinion of the International Searching Authority, or

the Declaration, in Application No. PCT/US2014/012692, dated Jan. 16, 2015. (10 pages).

Canadian Intellectual Property Office, Requisition by Examiner, Application No. 2,844,133, dated Jul. 30, 2015 (3 pages).

PCT, Notification Concerning Transmittal of International Preliminary Report on Patentability, in International application No. PCT/US2014/012692, dated Sep. 3, 2015 (6 pages).

* cited by examiner

