



US00D753603S

(12) **United States Design Patent**  
**Yokoo**

(10) **Patent No.:** **US D753,603 S**  
(45) **Date of Patent:** **\*\* Apr. 12, 2016**

(54) **ELECTRICAL CONNECTOR**

(71) Applicant: **Japan Aviation Electronics Industry, Limited**, Tokyo (JP)

(72) Inventor: **Hiroyuki Yokoo**, Tokyo (JP)

(73) Assignee: **JAPAN AVIATION ELECTRONICS INDUSTRY, LIMITED**, Tokyo (JP)

(\*\*) Term: **14 Years**

(21) Appl. No.: **29/522,607**

(22) Filed: **Apr. 1, 2015**

(30) **Foreign Application Priority Data**

Oct. 16, 2014 (JP) ..... 2014-023141

(51) **LOC (10) Cl.** ..... **13-03**

(52) **U.S. Cl.**  
USPC ..... **D13/147**

(58) **Field of Classification Search**  
USPC ..... D13/118, 120, 133, 146, 147, 154, 184,  
D13/199  
See application file for complete search history.

(56) **References Cited**

**U.S. PATENT DOCUMENTS**

D490,376 S \* 5/2004 Kuroki ..... D13/147  
D561,699 S \* 2/2008 Moritake ..... D13/147

D691,564 S \* 10/2013 Honda ..... D13/147  
D692,388 S \* 10/2013 Inomae ..... D13/147  
D692,835 S \* 11/2013 Ozeki ..... D13/147

**FOREIGN PATENT DOCUMENTS**

JP 1399330 S 10/2010  
JP 1399331 S 10/2010

\* cited by examiner

*Primary Examiner* — Daniel Bui

(74) *Attorney, Agent, or Firm* — Cermak Nakajima & McGowan LLP; Tomoko Nakajima

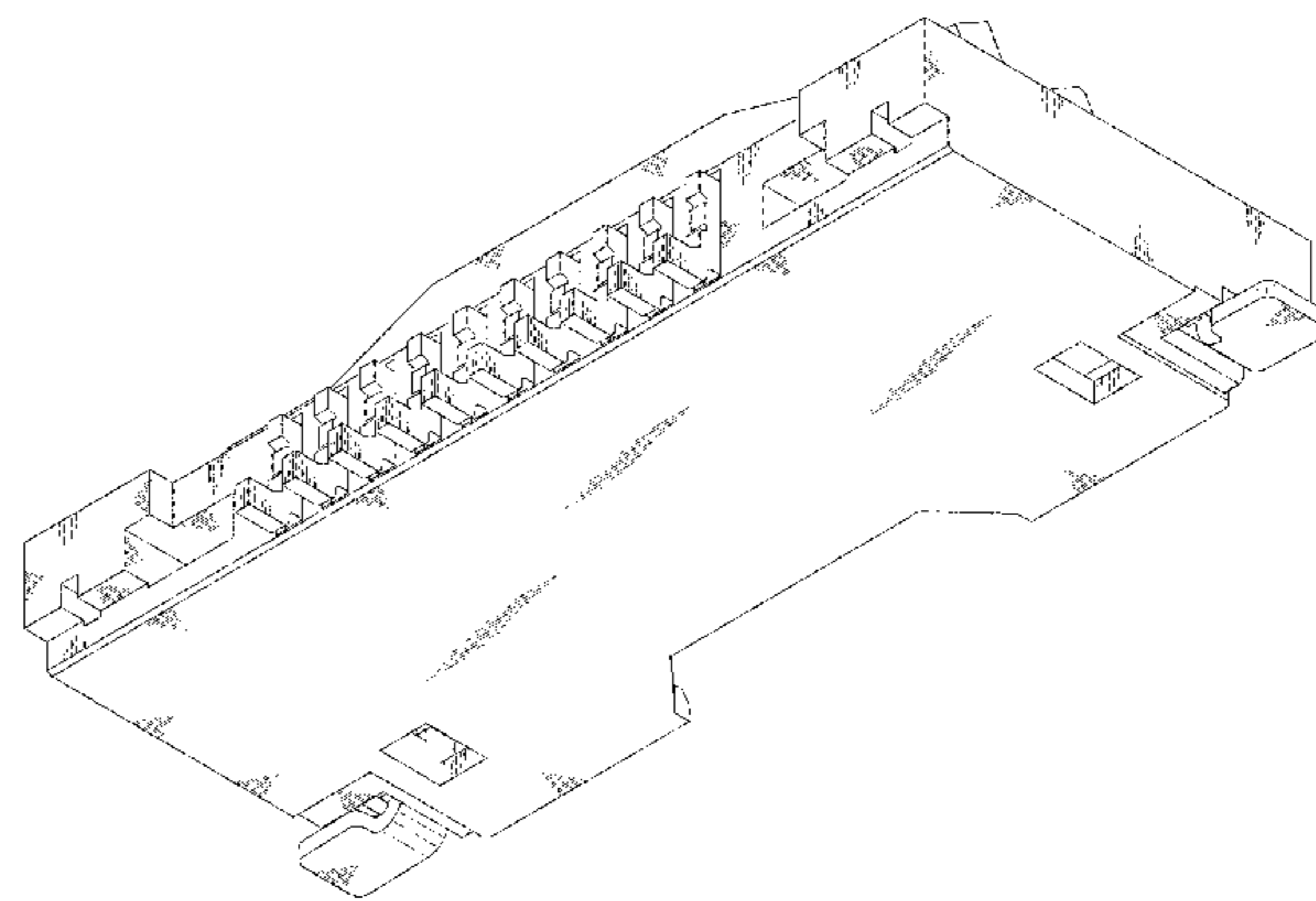
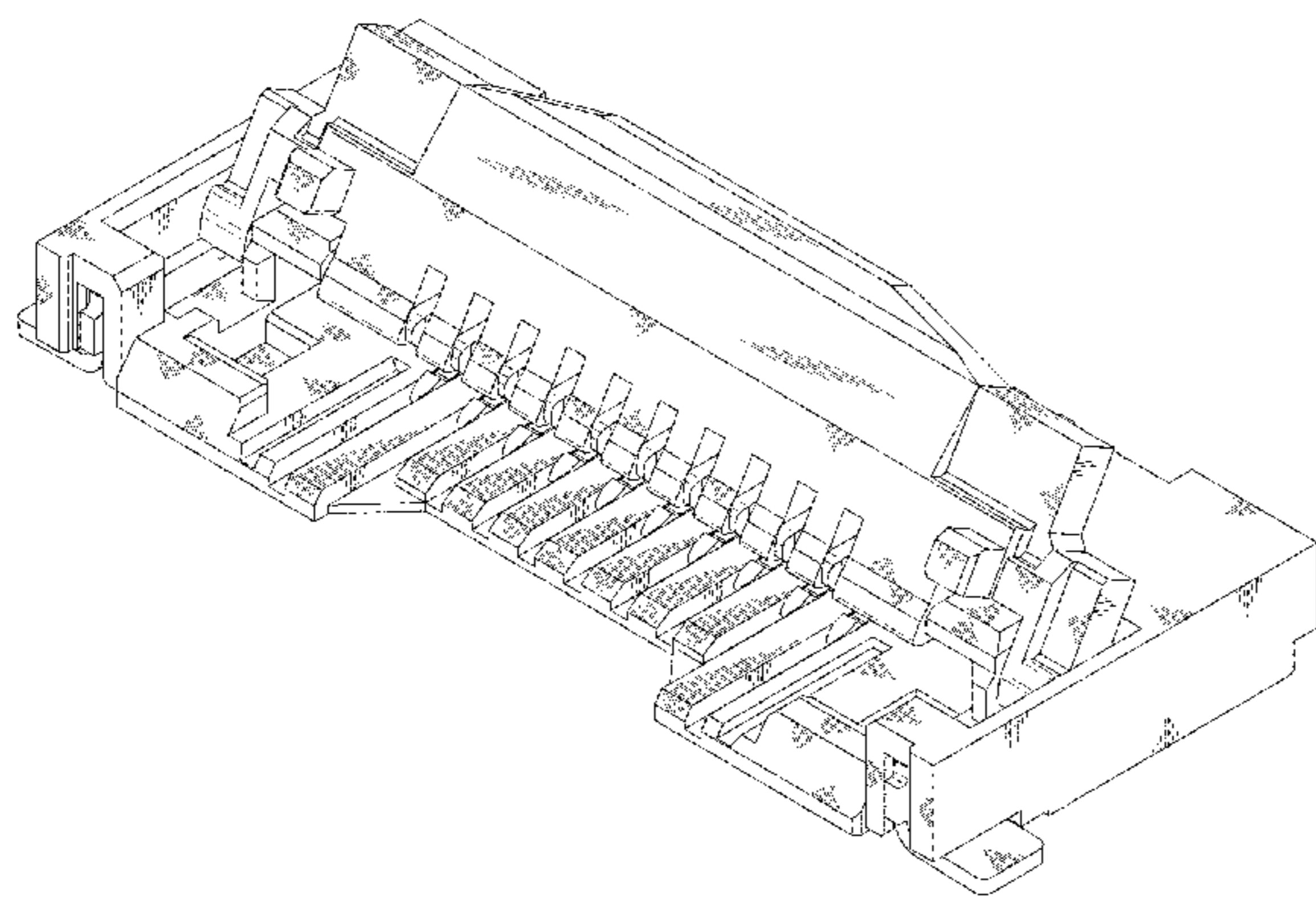
(57) **CLAIM**

The ornamental design for an electrical connector, as shown.

**DESCRIPTION**

FIG. 1 is a front elevational view of an electrical connector showing my new design;  
FIG. 2 is a top plan view thereof;  
FIG. 3 is a right side elevational view thereof;  
FIG. 4 is a left side elevational view thereof;  
FIG. 5 is a rear elevational view thereof;  
FIG. 6 is a bottom plan view thereof.  
FIG. 7 is a front and top perspective view thereof;  
FIG. 8 is a front and bottom perspective view thereof;  
FIG. 9 is a rear and top perspective view thereof; and,  
FIG. 10 is a rear and bottom perspective view thereof.

**1 Claim, 10 Drawing Sheets**



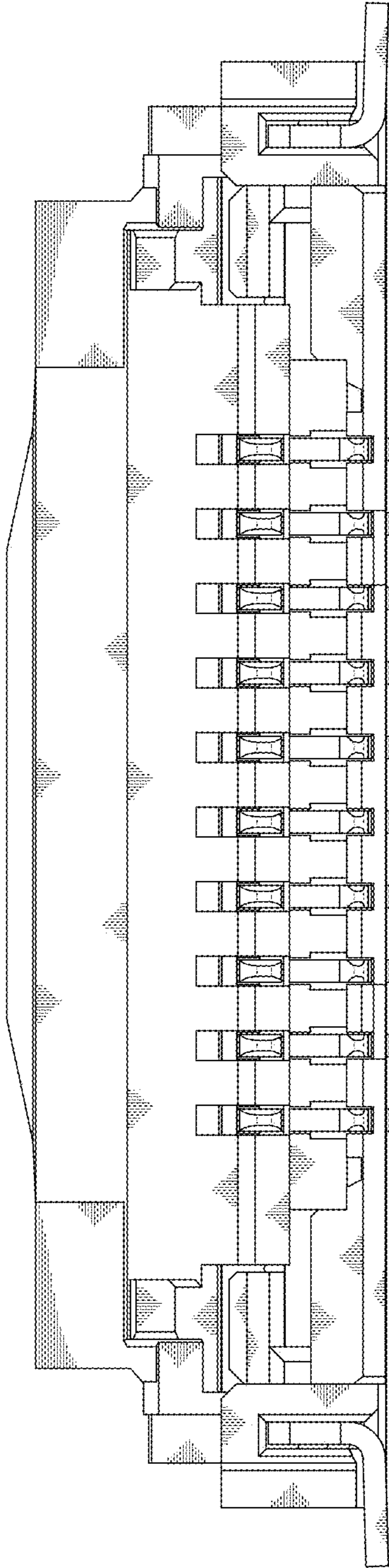


FIG. 1

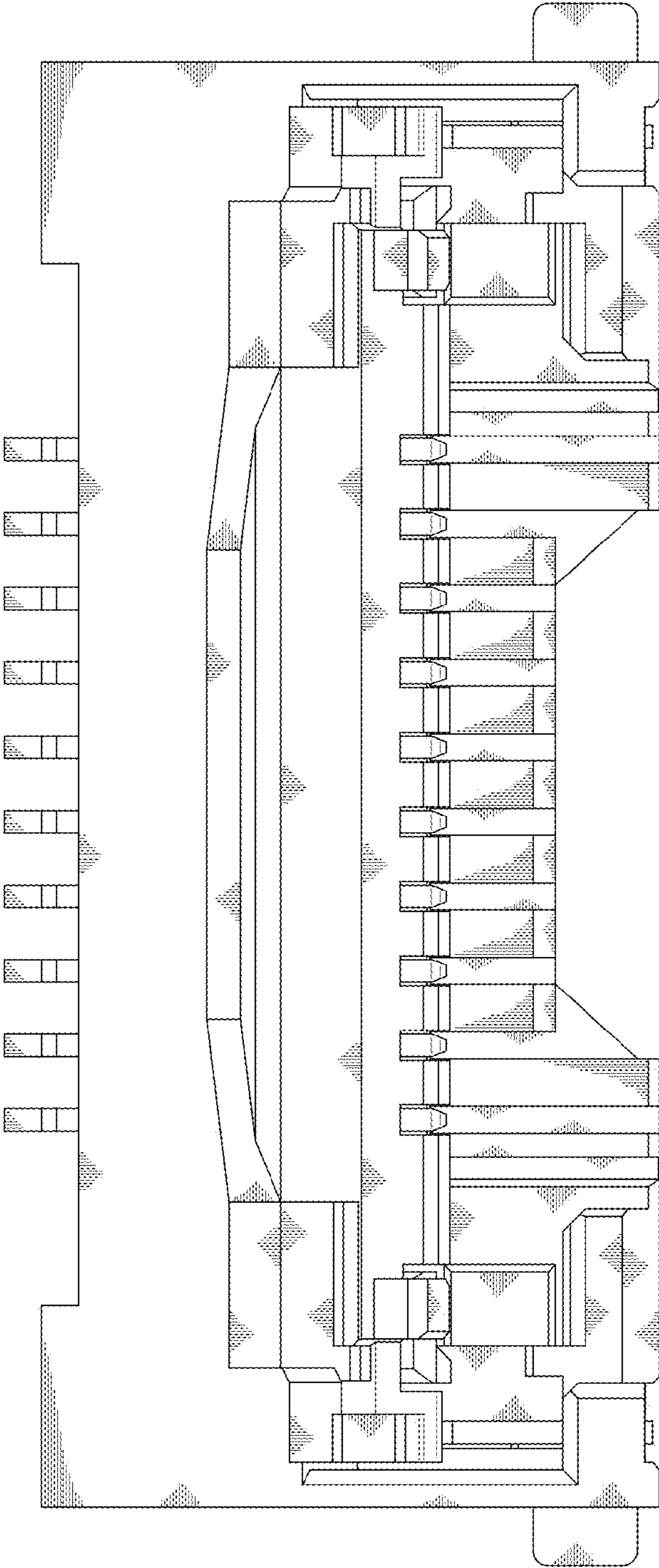


FIG.2

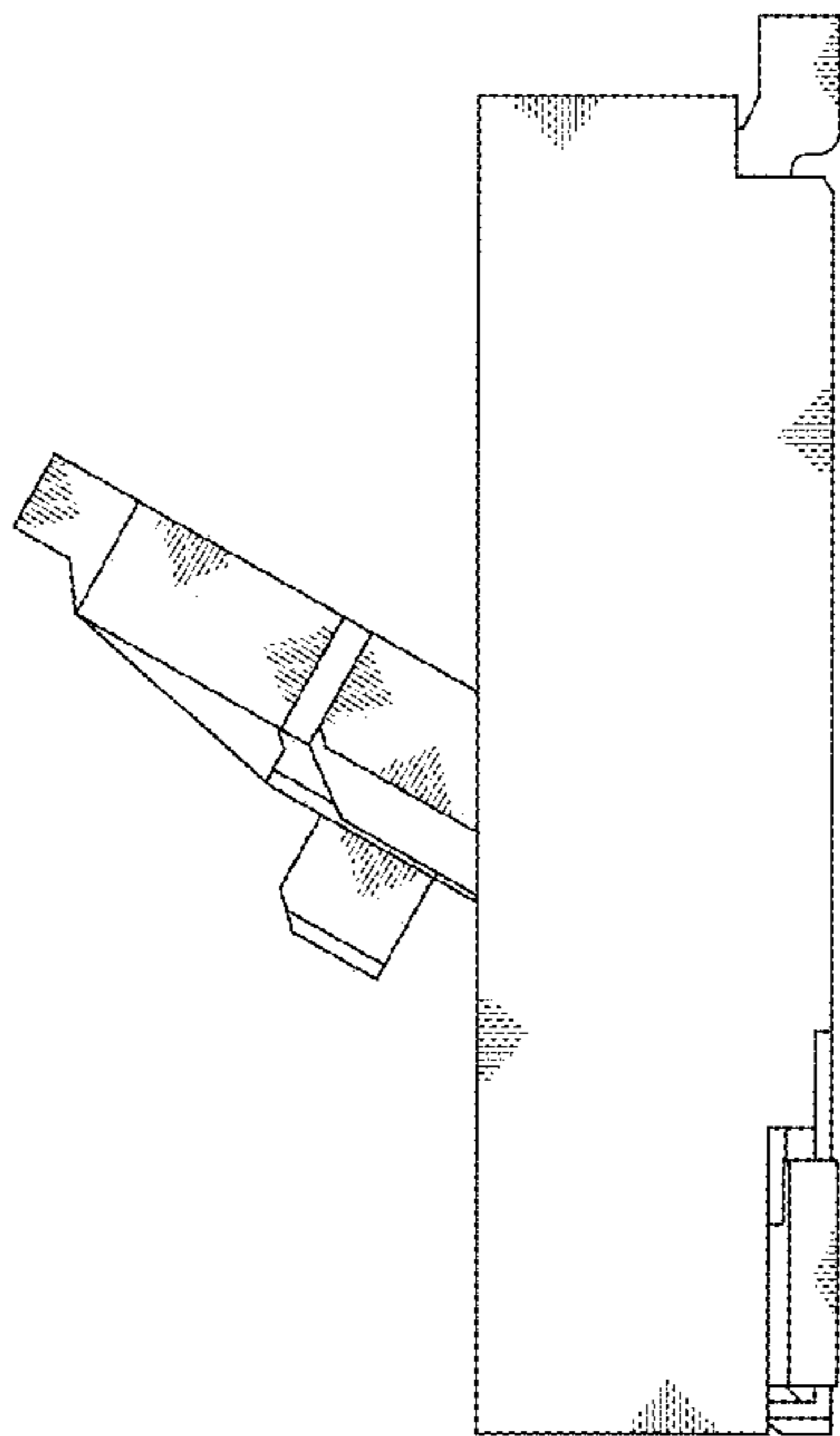


FIG.3

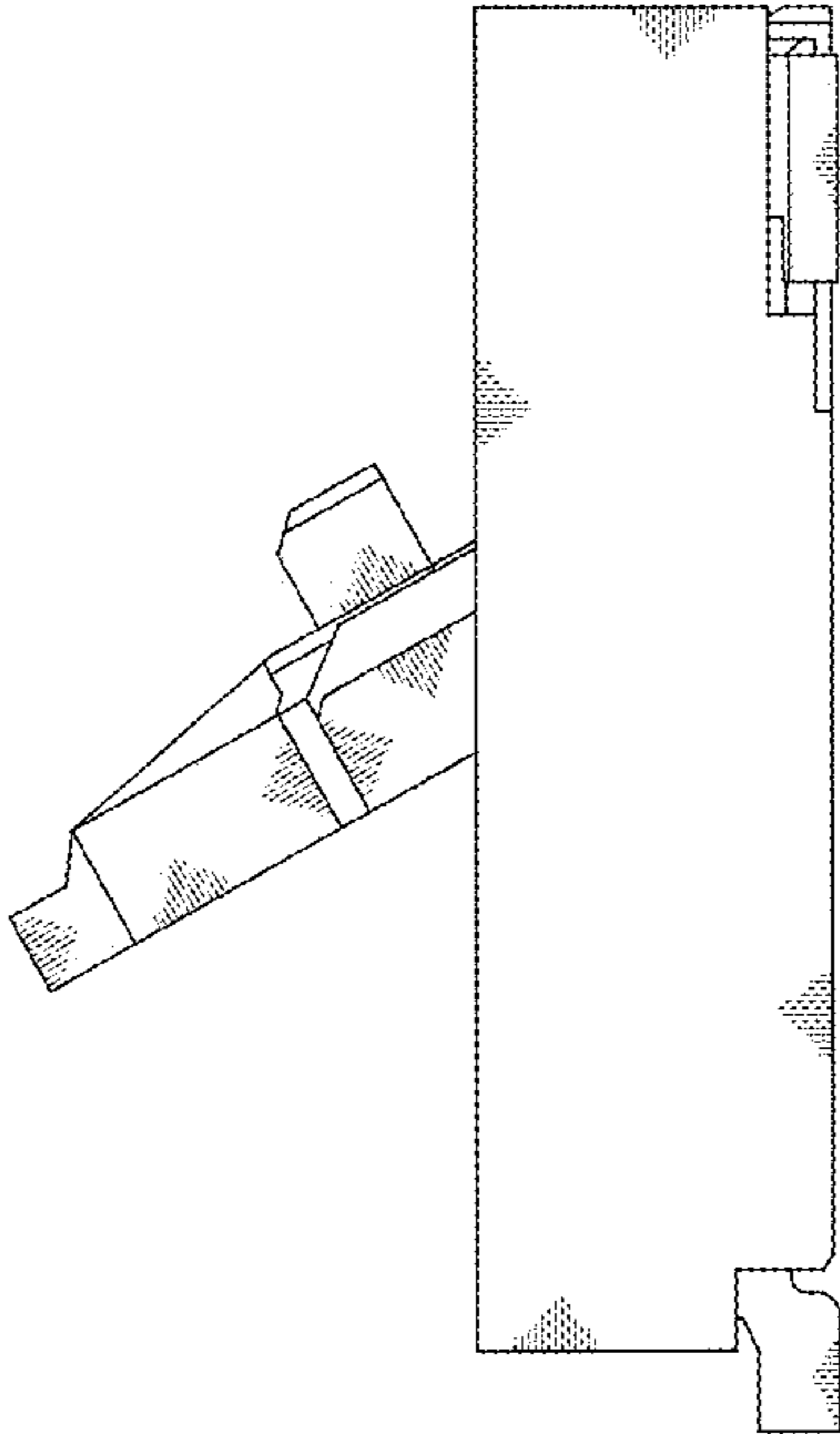


FIG.4

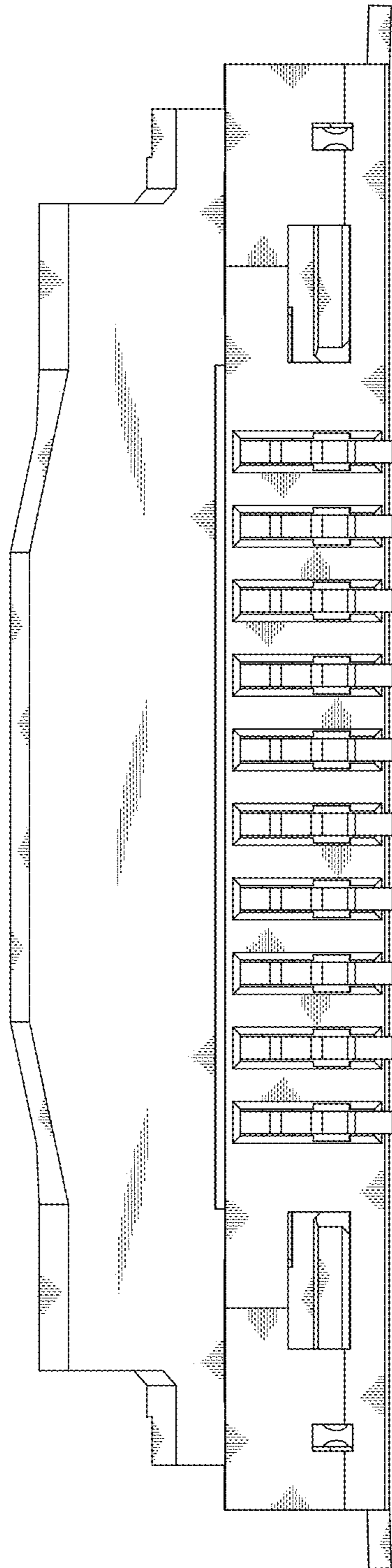


FIG.5

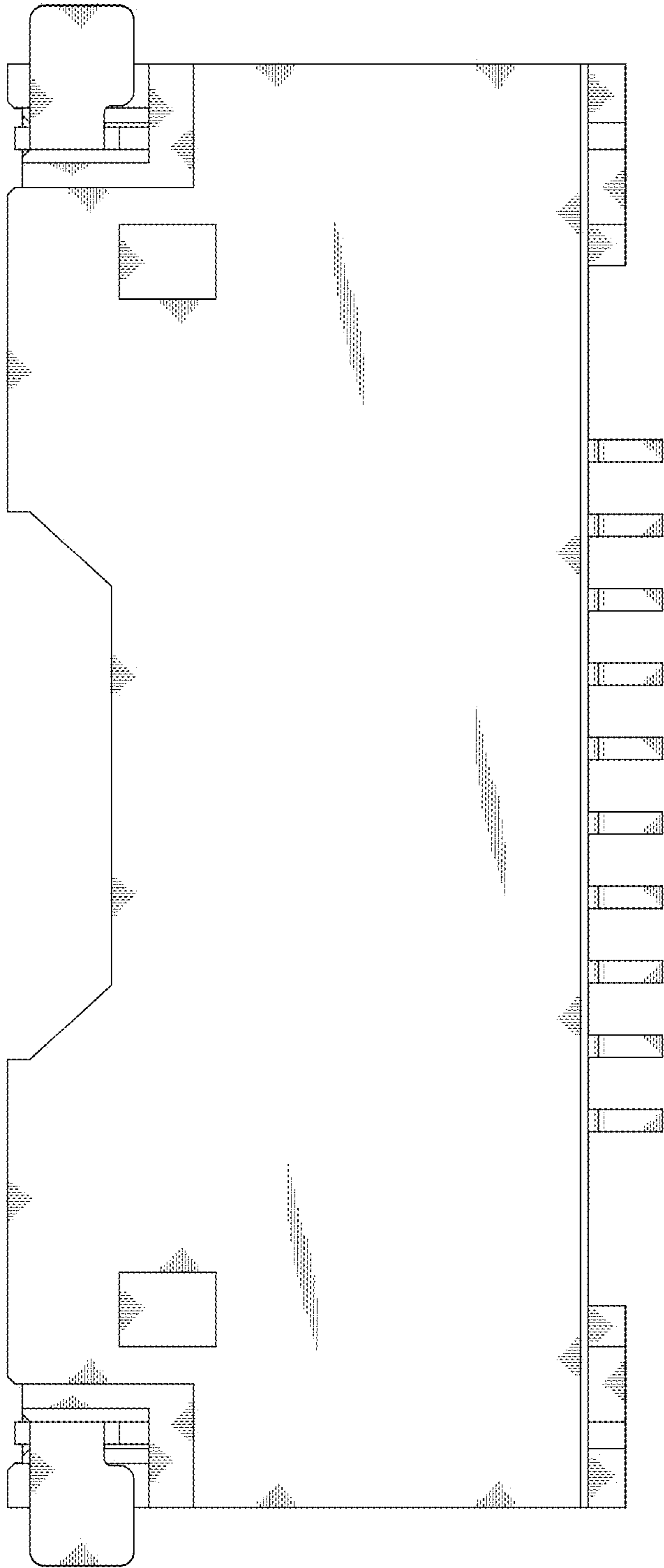


FIG.6

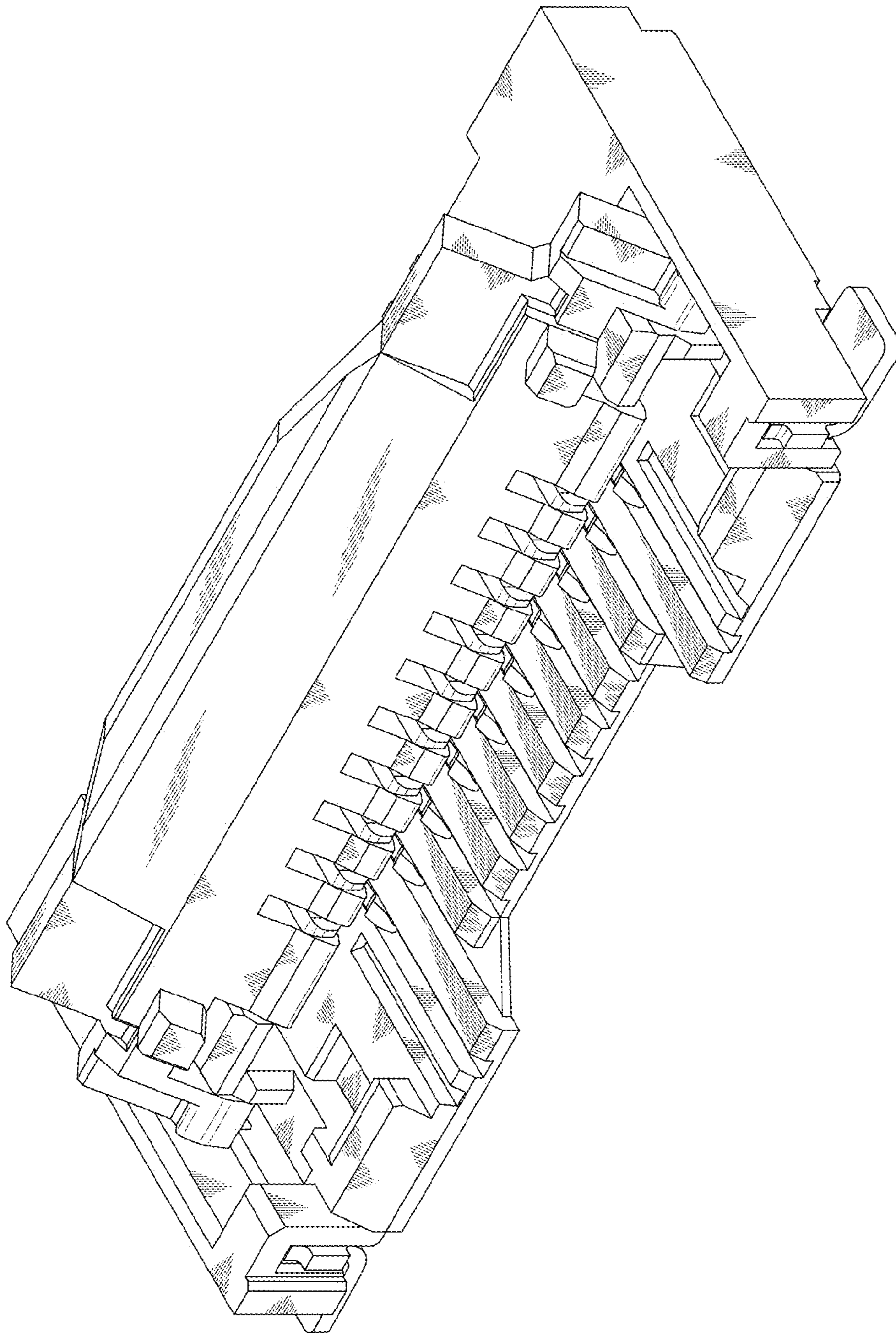


FIG.7



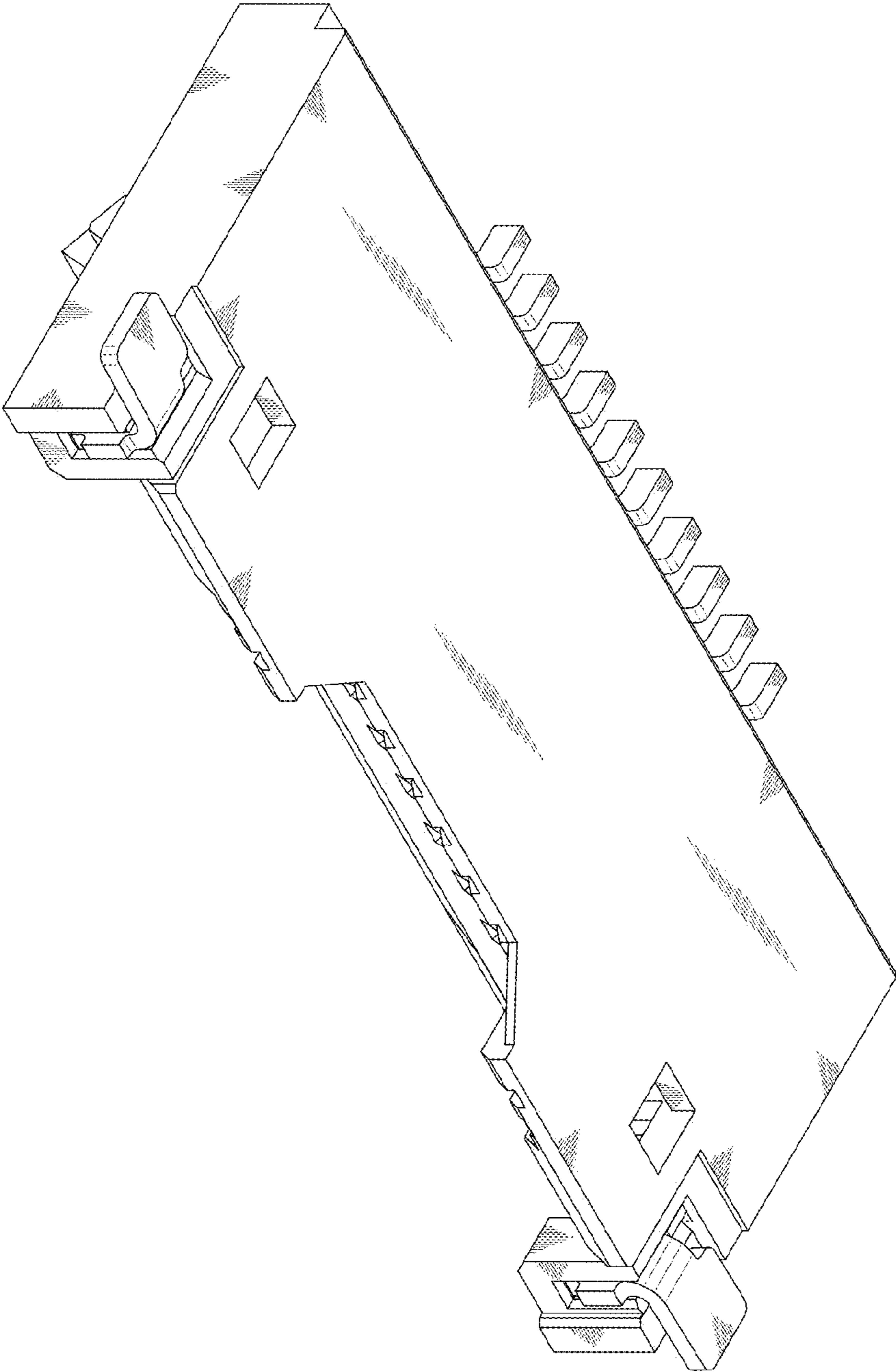


FIG. 8

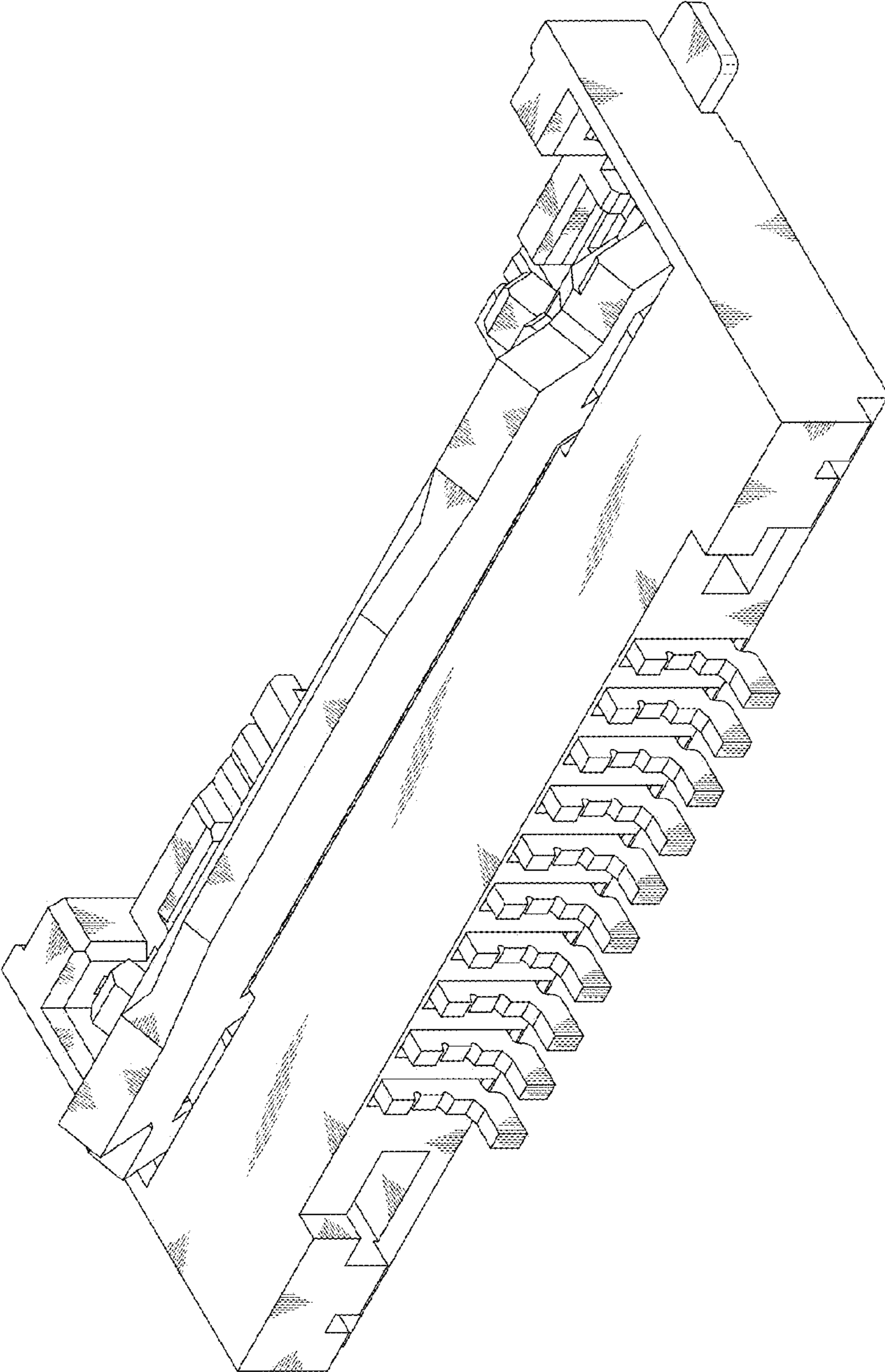


FIG.9

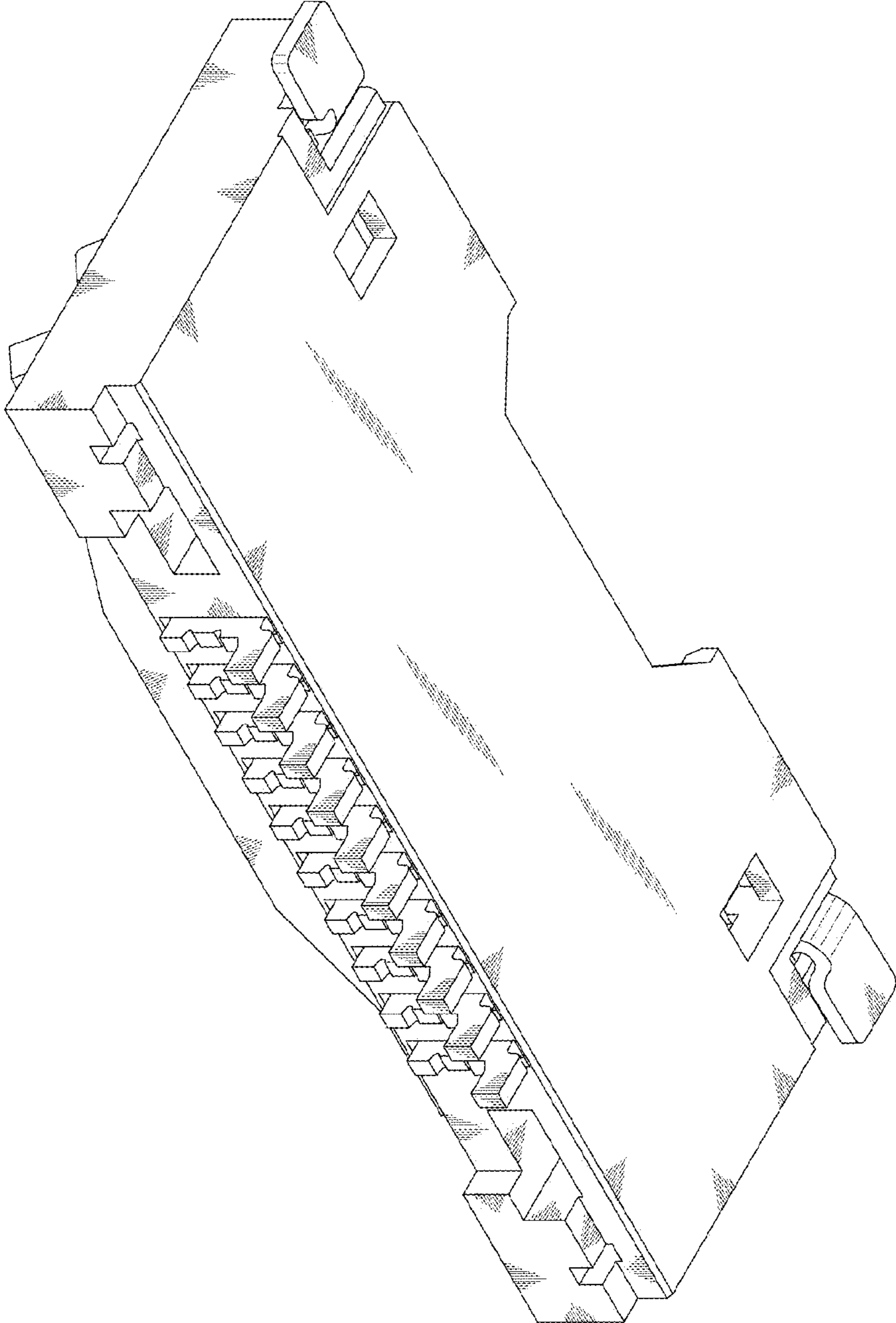


FIG.10