



US00D753602S

(12) **United States Design Patent**  
**Lin**

(10) **Patent No.:** **US D753,602 S**  
(45) **Date of Patent:** **\*\* Apr. 12, 2016**

(54) **SOCKET**

(71) Applicant: **HSING CHAU INDUSTRIAL CO., LTD.**, Taipei (TW)

(72) Inventor: **Chien-Liang Lin**, Taipei (TW)

(73) Assignee: **HSING CHAU INDUSTRIAL CO., LTD.** (TW)

(\*\*) Term: **14 Years**

(21) Appl. No.: **29/506,204**

(22) Filed: **Oct. 14, 2014**

**Related U.S. Application Data**

(63) Continuation of application No. 13/867,390, filed on Apr. 22, 2013, now abandoned.

(51) **LOC (10) Cl.** ..... **13-03**

(52) **U.S. Cl.**  
USPC ..... **D13/147**

(58) **Field of Classification Search**  
USPC ..... D13/133, 147, 154, 184, 199  
See application file for complete search history.

(56) **References Cited**

U.S. PATENT DOCUMENTS

D391,551 S \* 3/1998 Ono ..... D13/147  
D568,823 S \* 5/2008 Ashida et al. .... D13/133  
D608,289 S \* 1/2010 Henderson ..... D13/147

\* cited by examiner

*Primary Examiner* — Daniel Bui

(74) *Attorney, Agent, or Firm* — Schmeiser, Olsen & Watts, LLP

(57) **CLAIM**

The ornamental design for a socket, as shown and described.

**DESCRIPTION**

FIG. 1 is a perspective view of a socket showing my new design;

FIG. 2 is a front elevation view thereof;

FIG. 3 is a rear elevation view thereof;

FIG. 4 is a left side elevation view thereof;

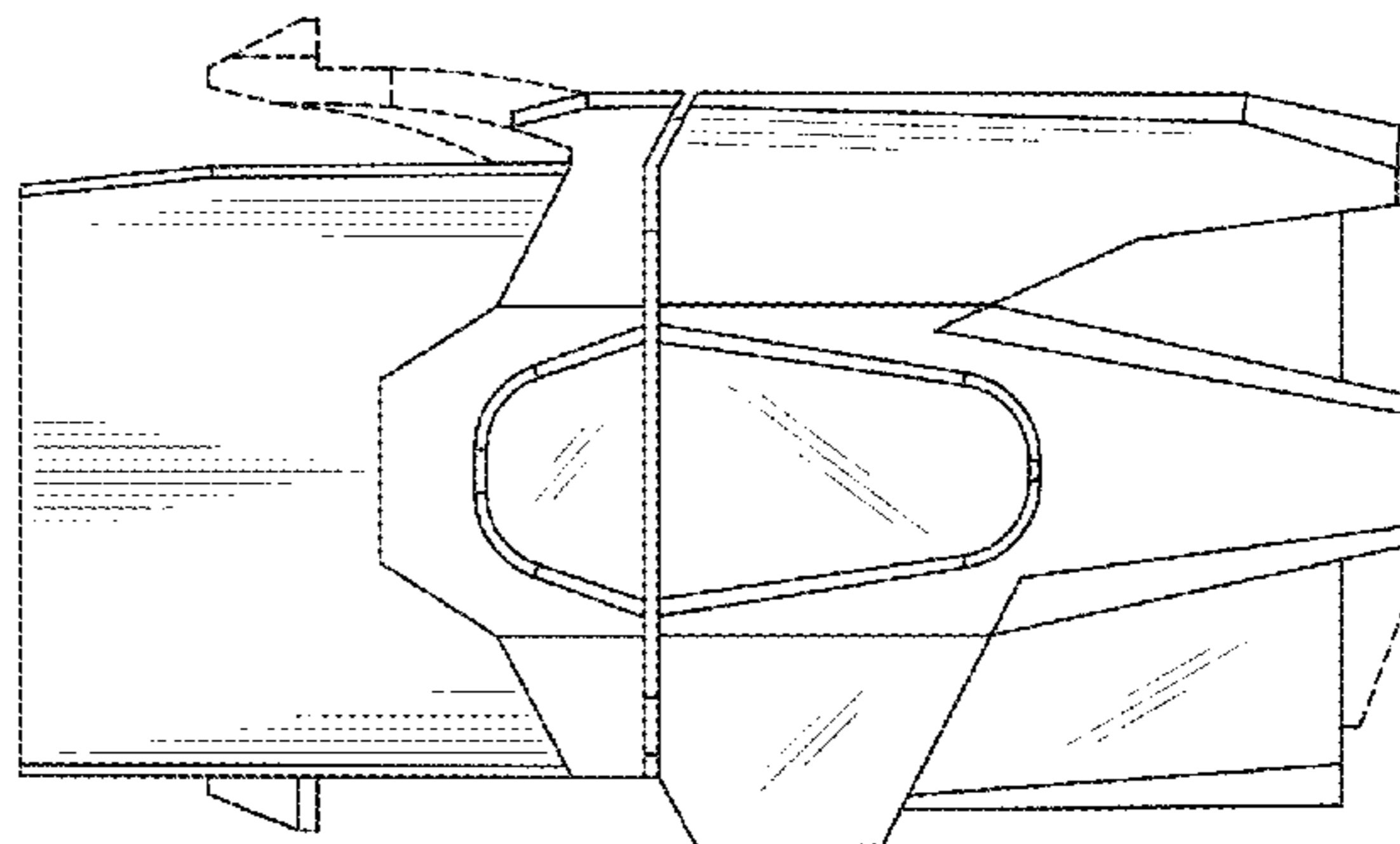
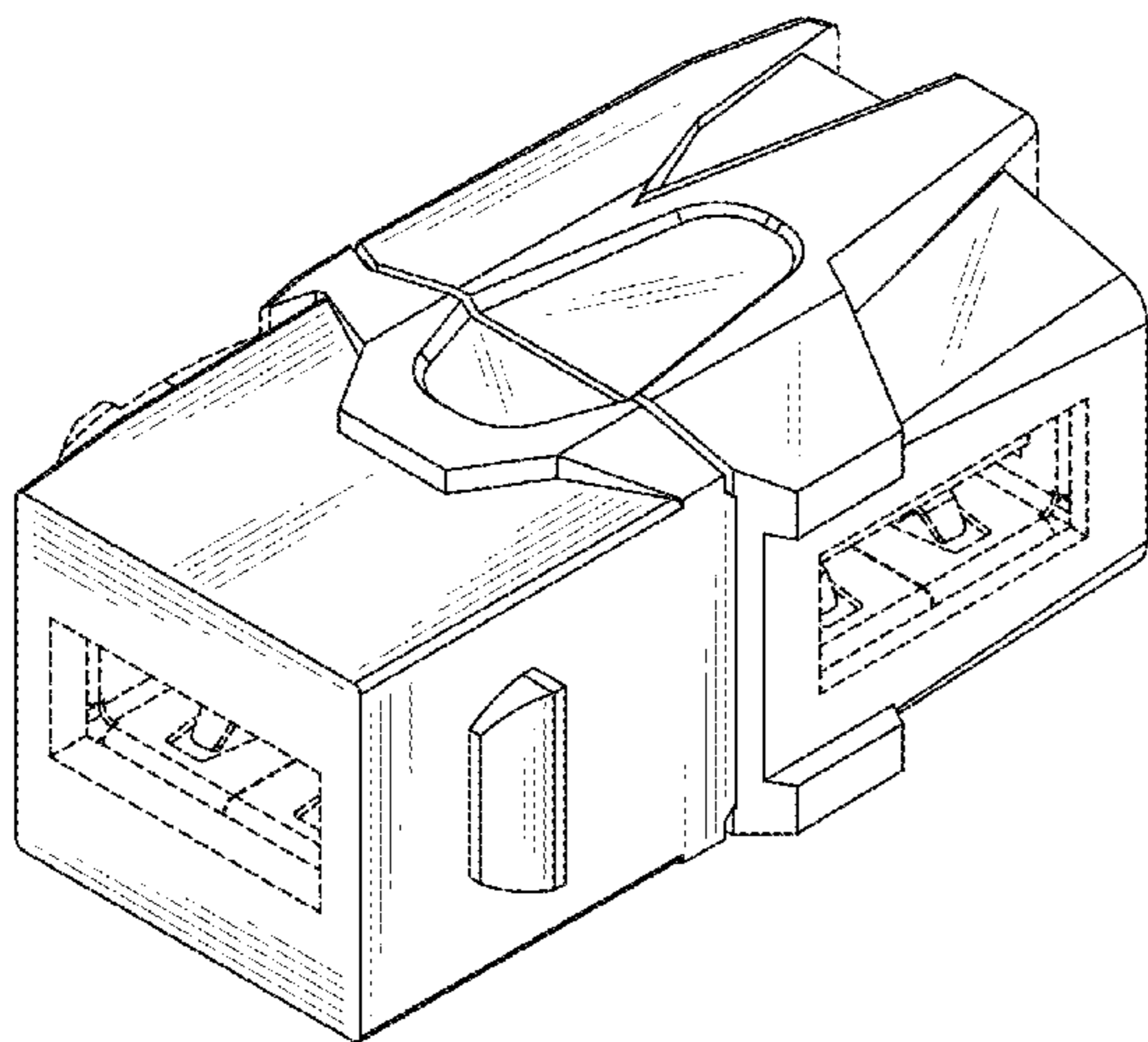
FIG. 5 is a right side elevation view thereof;

FIG. 6 is a top plan view thereof; and,

FIG. 7 is a bottom plan view thereof.

The broken lines in the figure drawings are included to show the unclaimed environment only and forms no part of the claimed design.

**1 Claim, 4 Drawing Sheets**



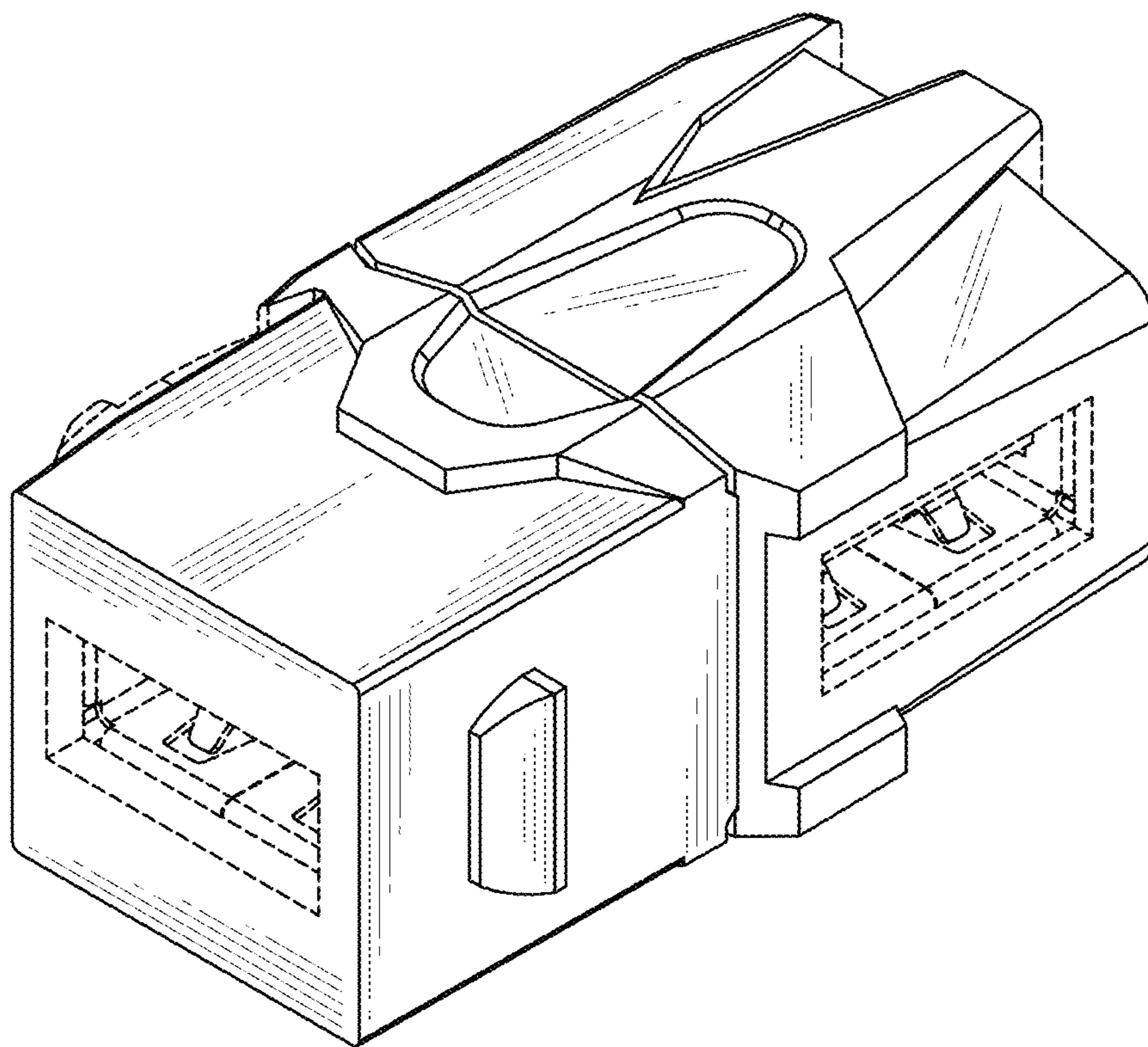


FIG. 1

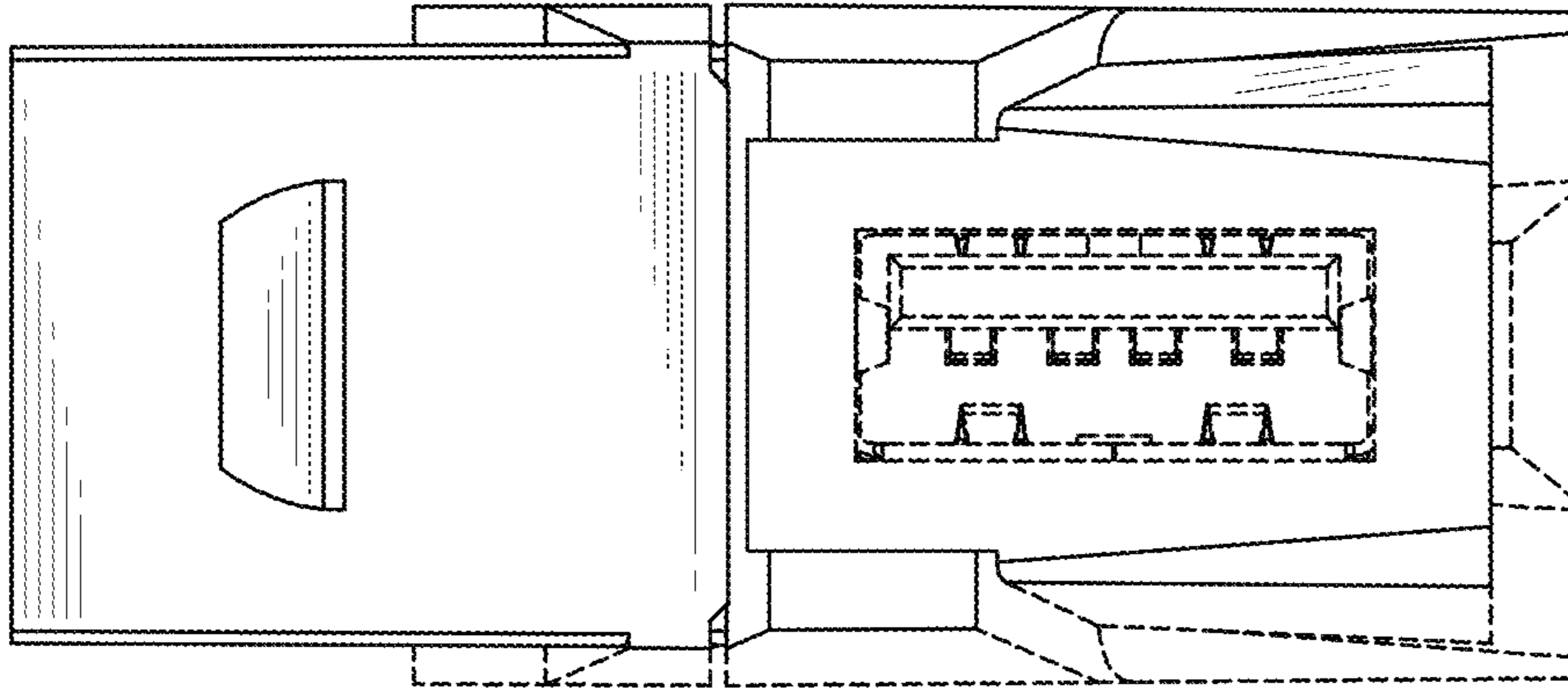


FIG. 2

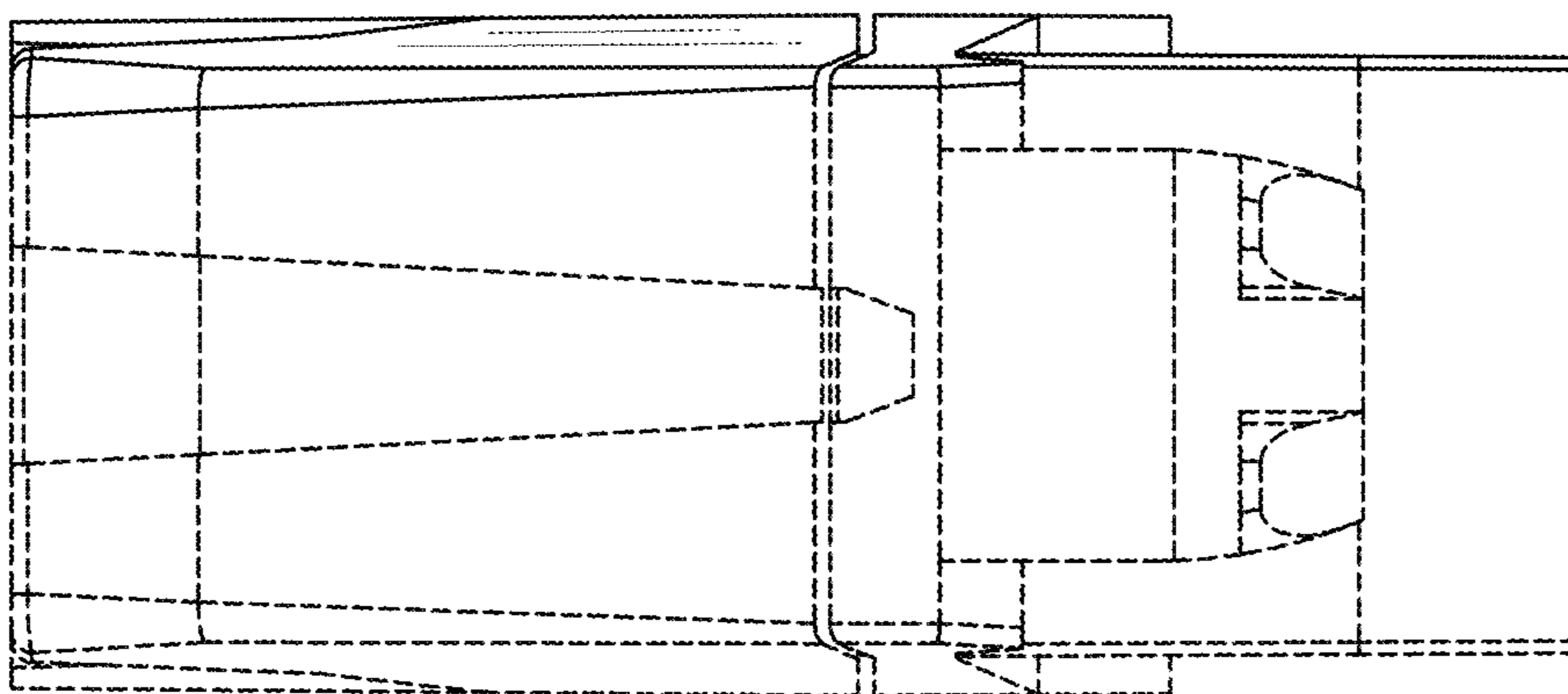


FIG. 3

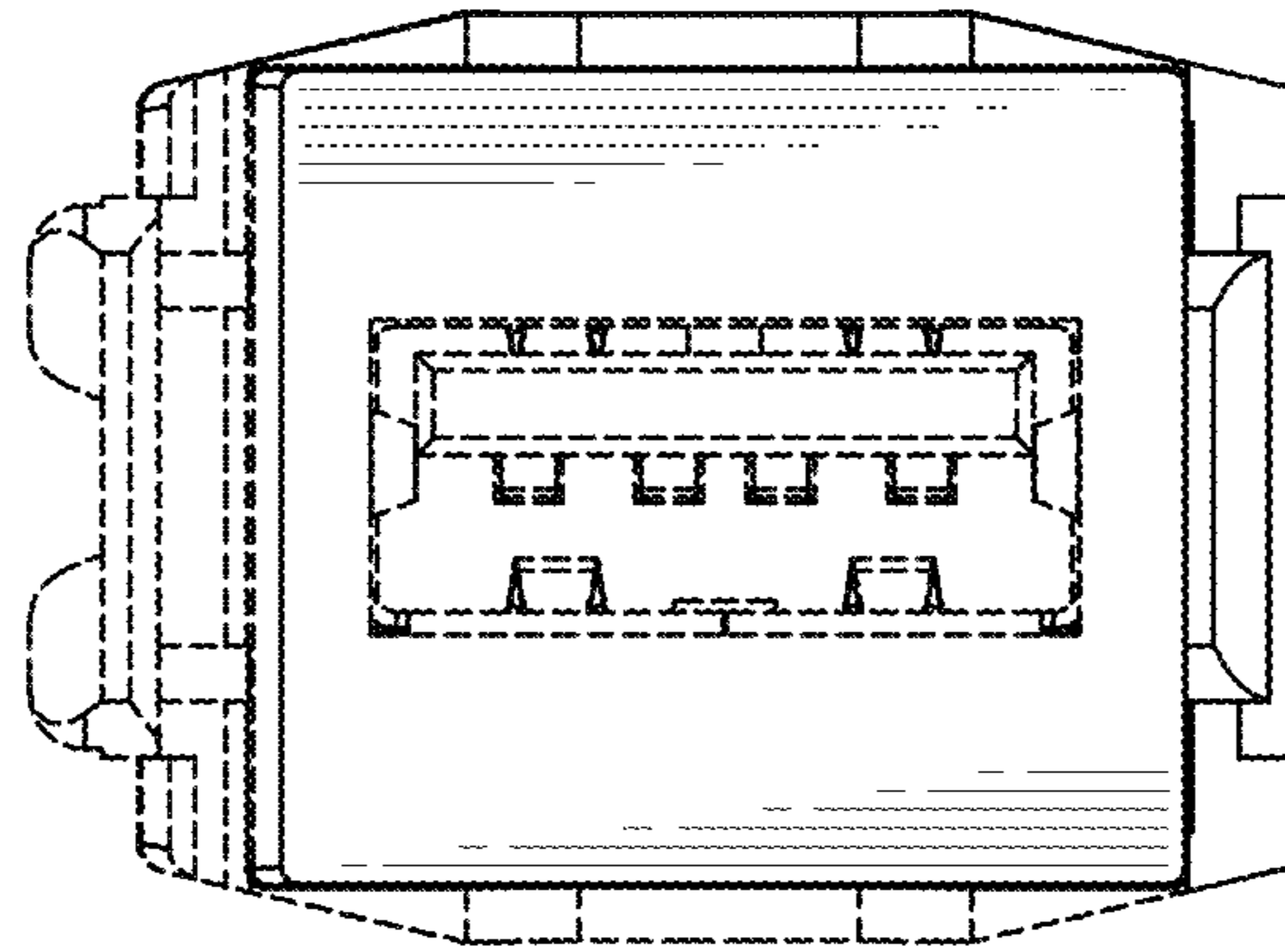


FIG. 4

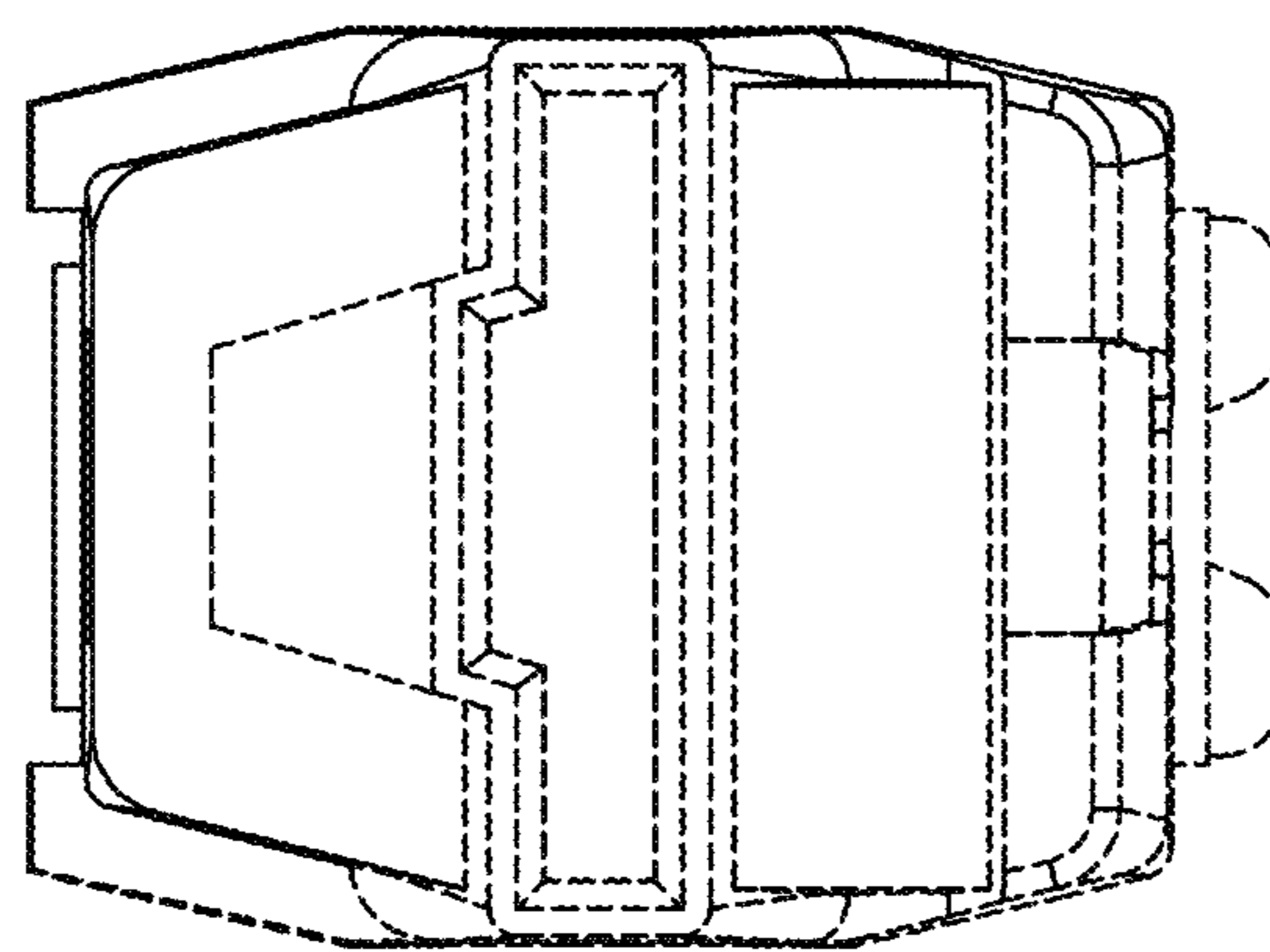


FIG. 5

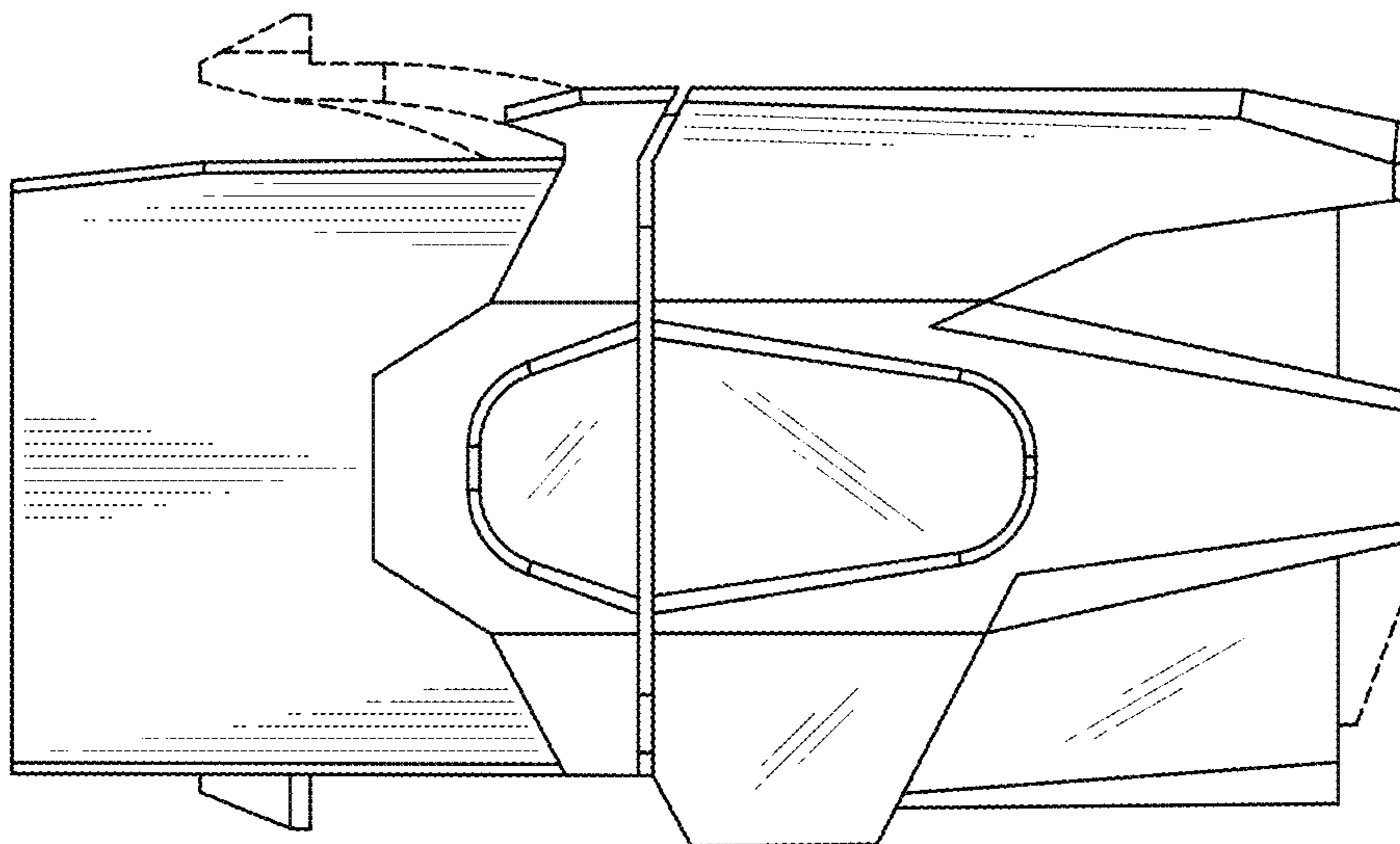


FIG. 6

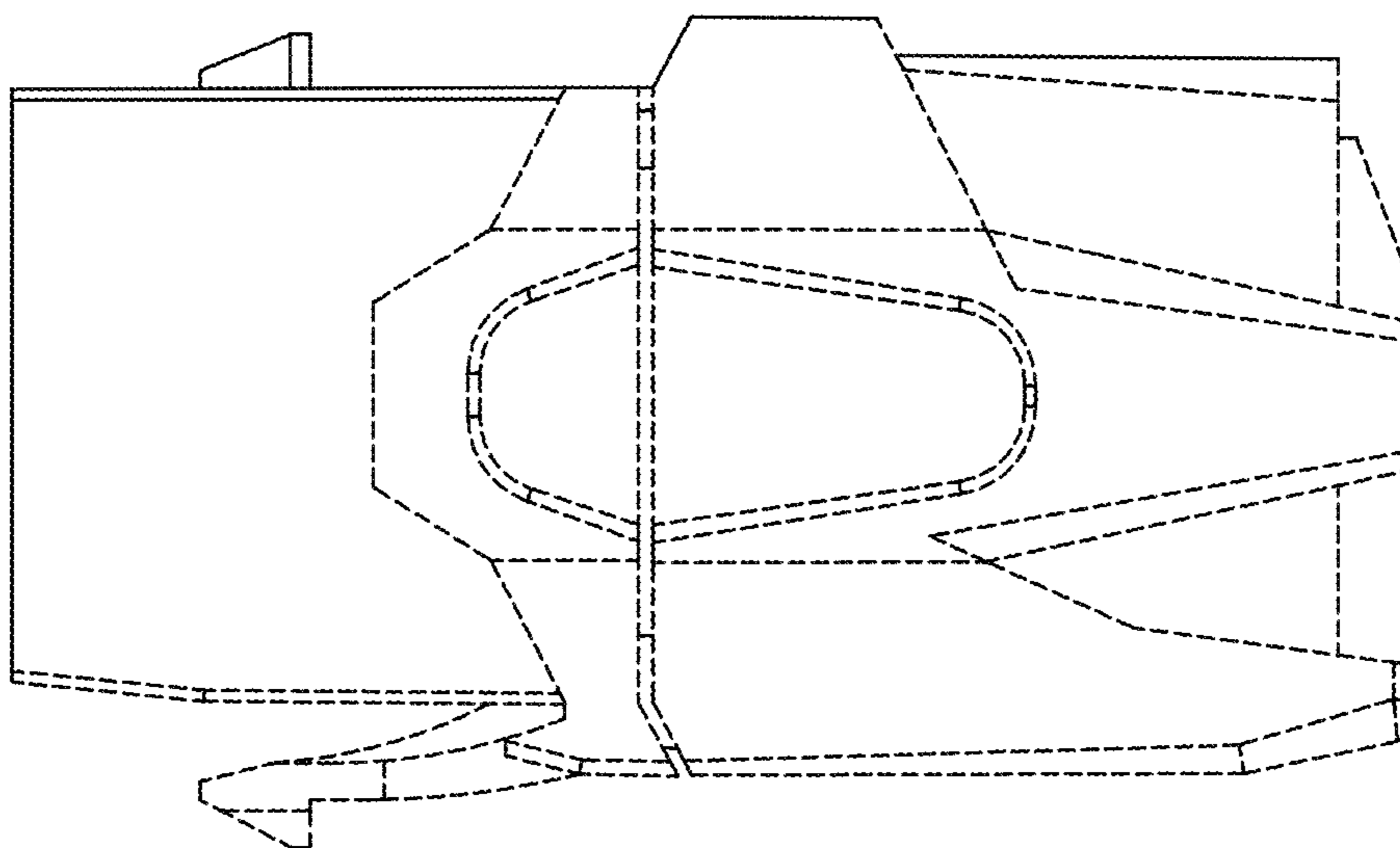


FIG. 7