

US00D753600S

(12) **United States Design Patent**
Svelnis et al.

(10) **Patent No.:** **US D753,600 S**
(45) **Date of Patent:** **** Apr. 12, 2016**

(54) **THREE POLE SEALED PLUG CONNECTOR WITH LATCH**

(71) Applicant: **IDEAL Industries, Inc.**, Sycamore, IL (US)

(72) Inventors: **Christine M. Svelnis**, Boylston, MA (US); **Nathan T. Smith**, Worcester, MA (US)

(73) Assignee: **IDEAL Industries, Inc.**, Sycamore, IL (US)

(**) Term: **14 Years**

(21) Appl. No.: **29/506,528**

(22) Filed: **Oct. 16, 2014**

(51) **LOC (10) Cl.** **13-03**

(52) **U.S. Cl.**
USPC **D13/146**

(58) **Field of Classification Search**
USPC D13/146, 147, 154, 184, 199
See application file for complete search history.

(56) **References Cited**

U.S. PATENT DOCUMENTS

D309,725 S * 8/1990 O'Grady D13/133
D317,148 S * 5/1991 Kozono et al. D13/146

D531,960 S * 11/2006 Kondas D13/147
D646,223 S * 10/2011 Gouhl et al. D13/146
D665,751 S * 8/2012 Byrne et al. D13/146
D699,186 S * 2/2014 Suzuki et al. D13/146
D726,117 S * 4/2015 Valdez et al. D13/147

* cited by examiner

Primary Examiner — Daniel Bui

(74) *Attorney, Agent, or Firm* — Greenberg Traurig, LLP

(57) **CLAIM**

What is claimed is the ornamental design for a three pole sealed plug connector with latch, as shown and described.

DESCRIPTION

FIG. 1 is a front, top and right side perspective view of a three pole sealed plug connector with latch showing the new design;

FIG. 2 is a rear, bottom and left side perspective view thereof;

FIG. 3 is a front elevation view thereof;

FIG. 4 is a rear elevation view thereof;

FIG. 5 is a top plan view thereof;

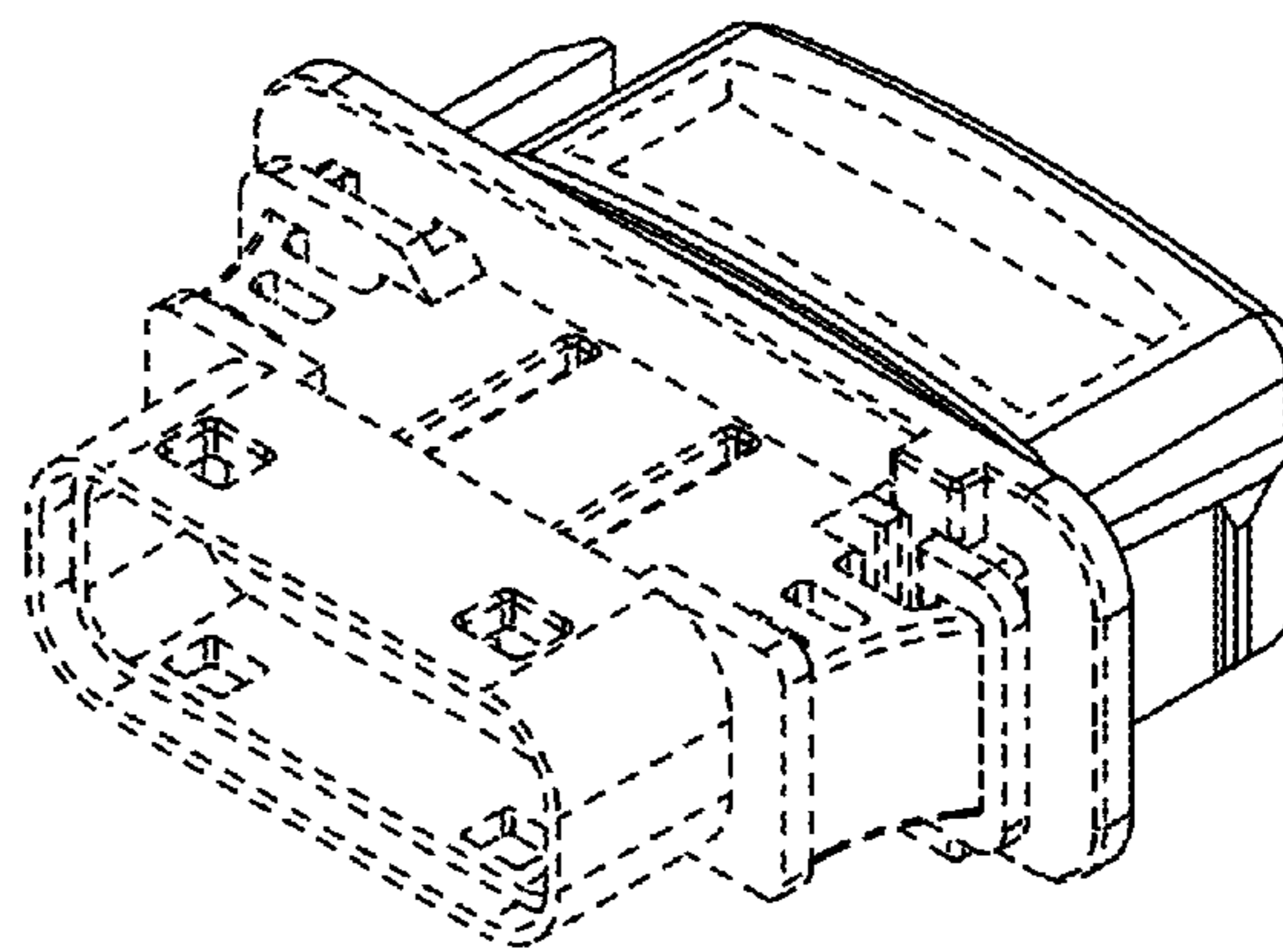
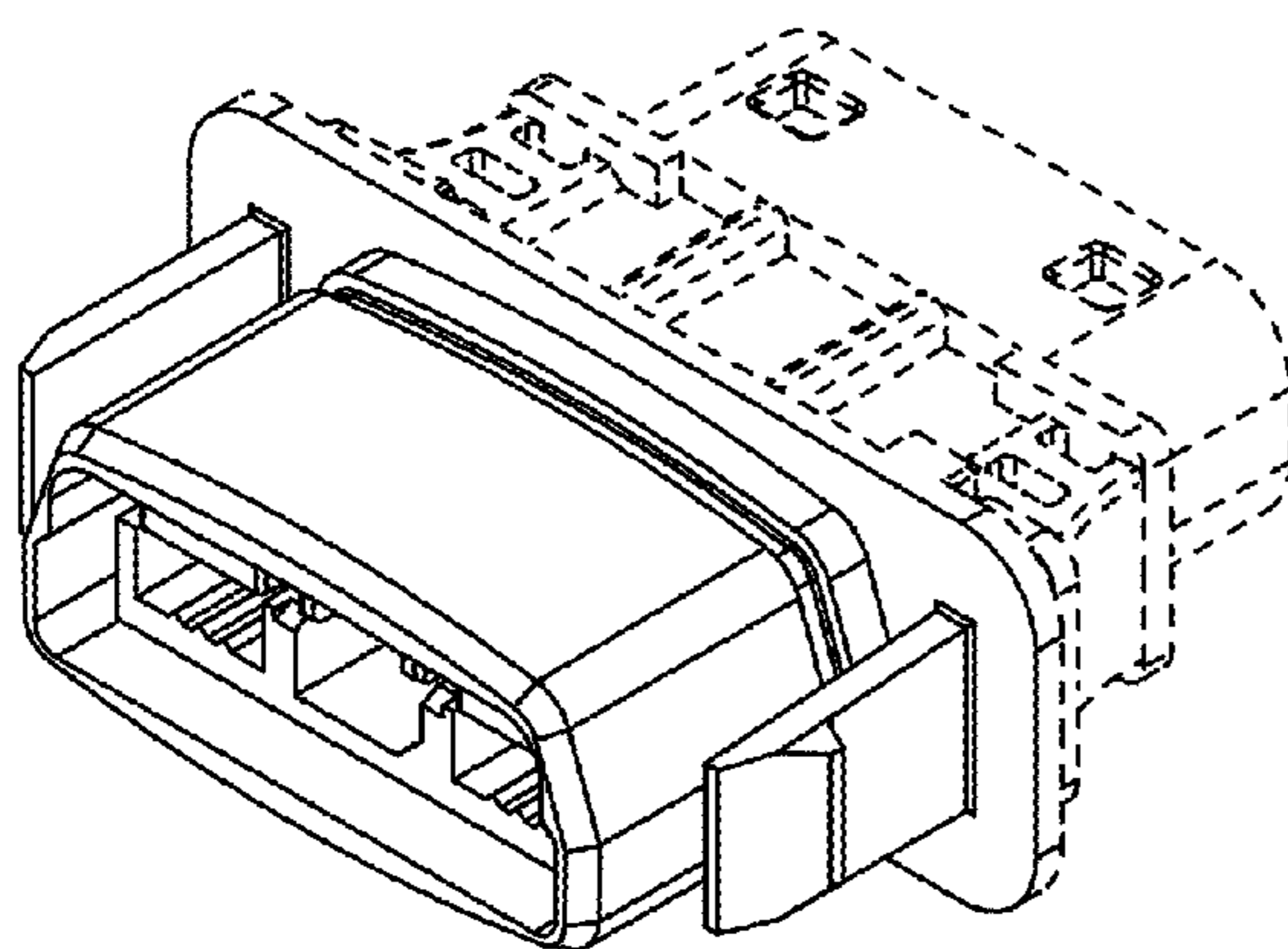
FIG. 6 is a bottom plan view thereof;

FIG. 7 is a left side view thereof; and,

FIG. 8 is a right side view thereof.

The broken lines shown in figure drawing views represent unclaimed environment only and form no part of the claimed design.

1 Claim, 8 Drawing Sheets



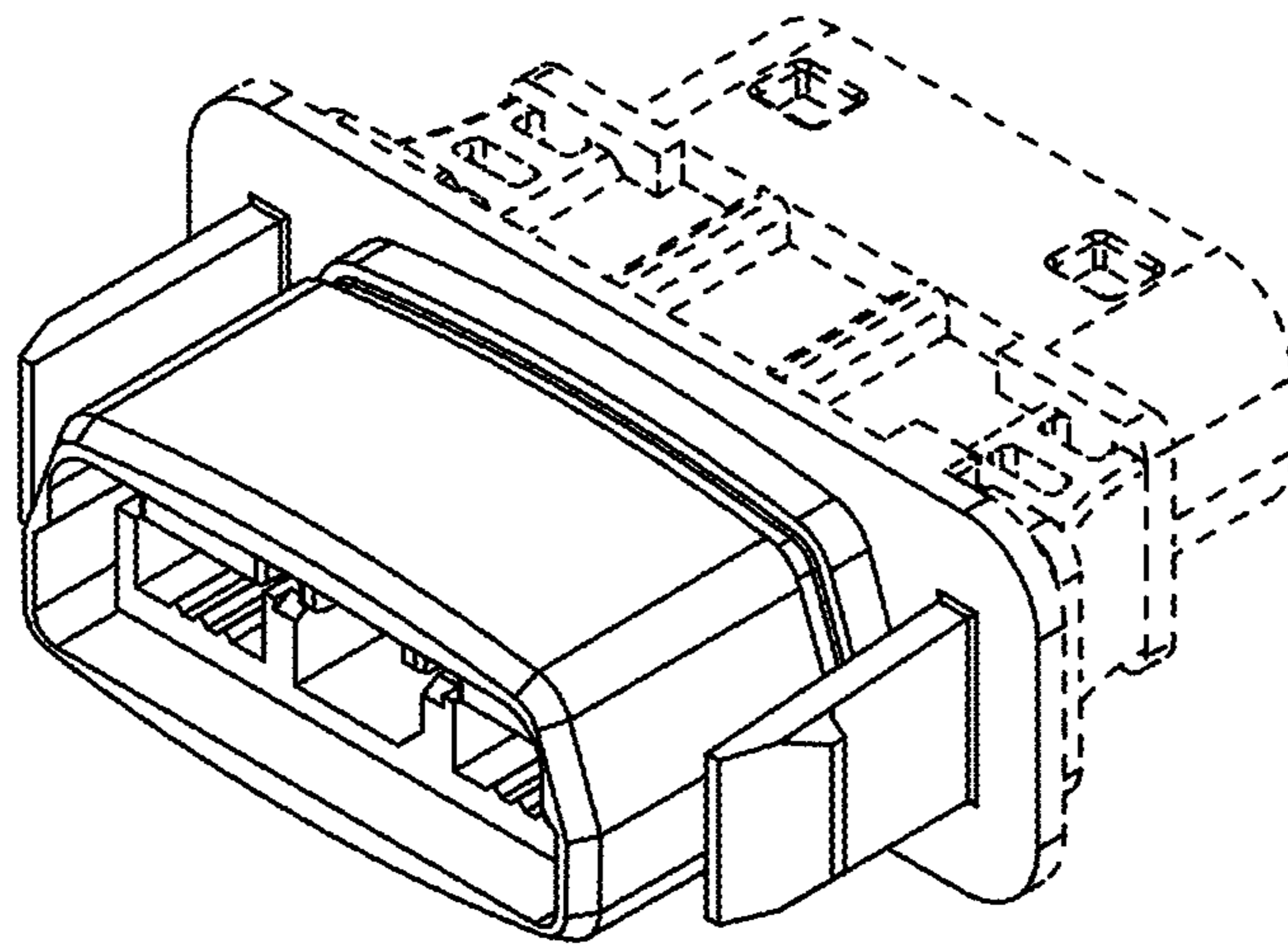


FIG. 1

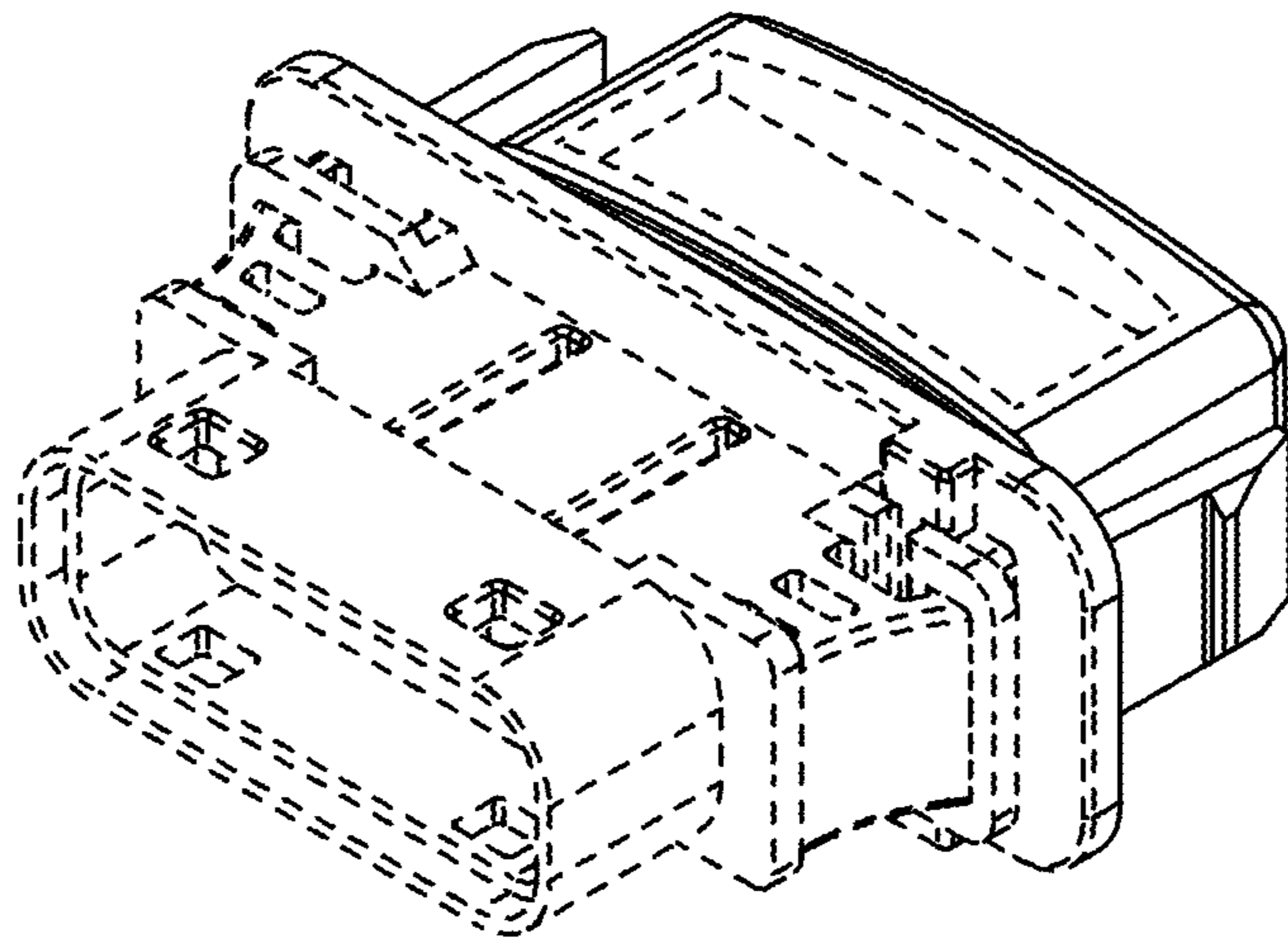


FIG. 2

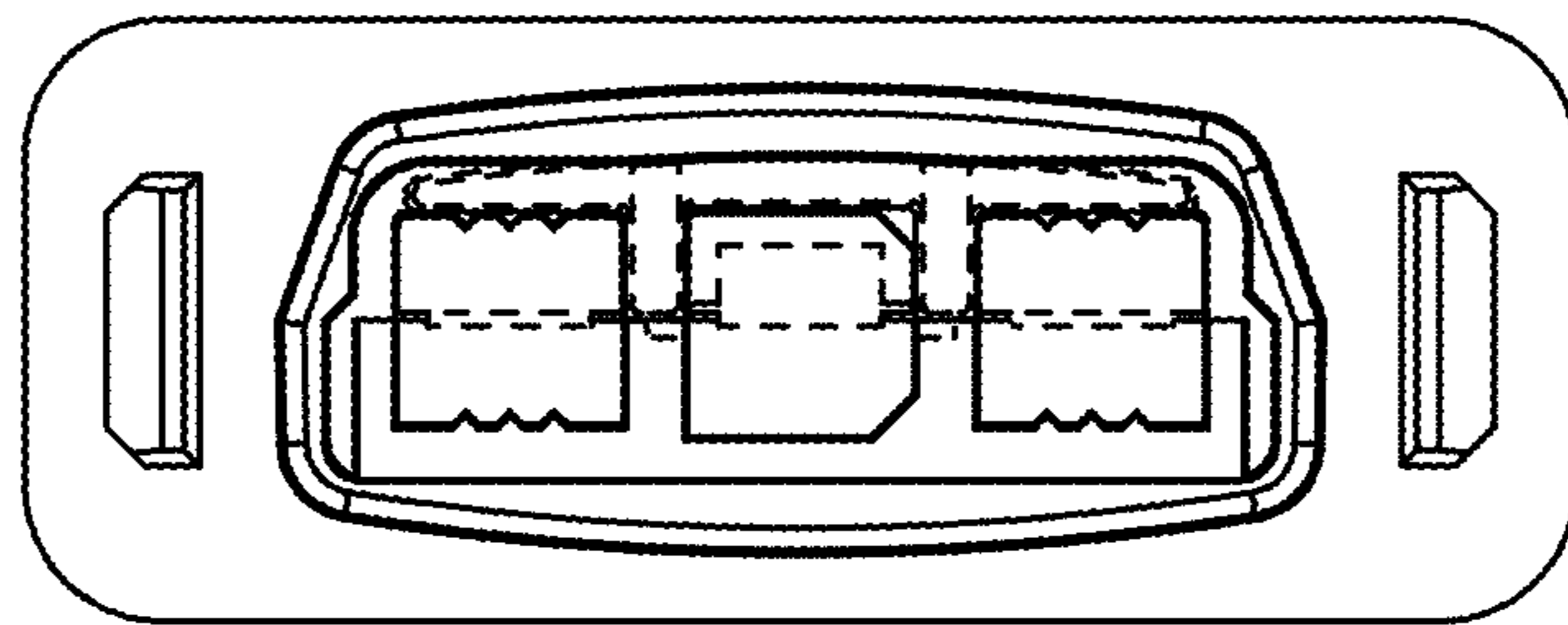


FIG. 3

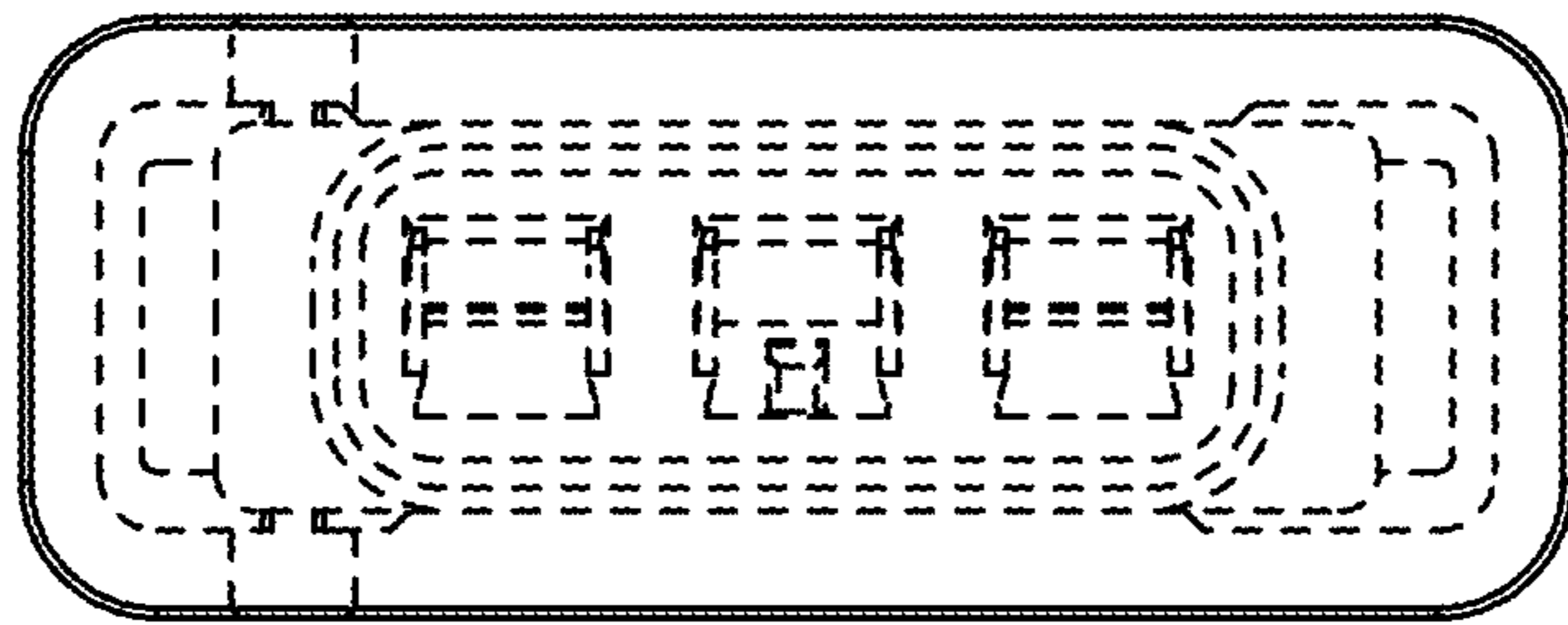


FIG. 4

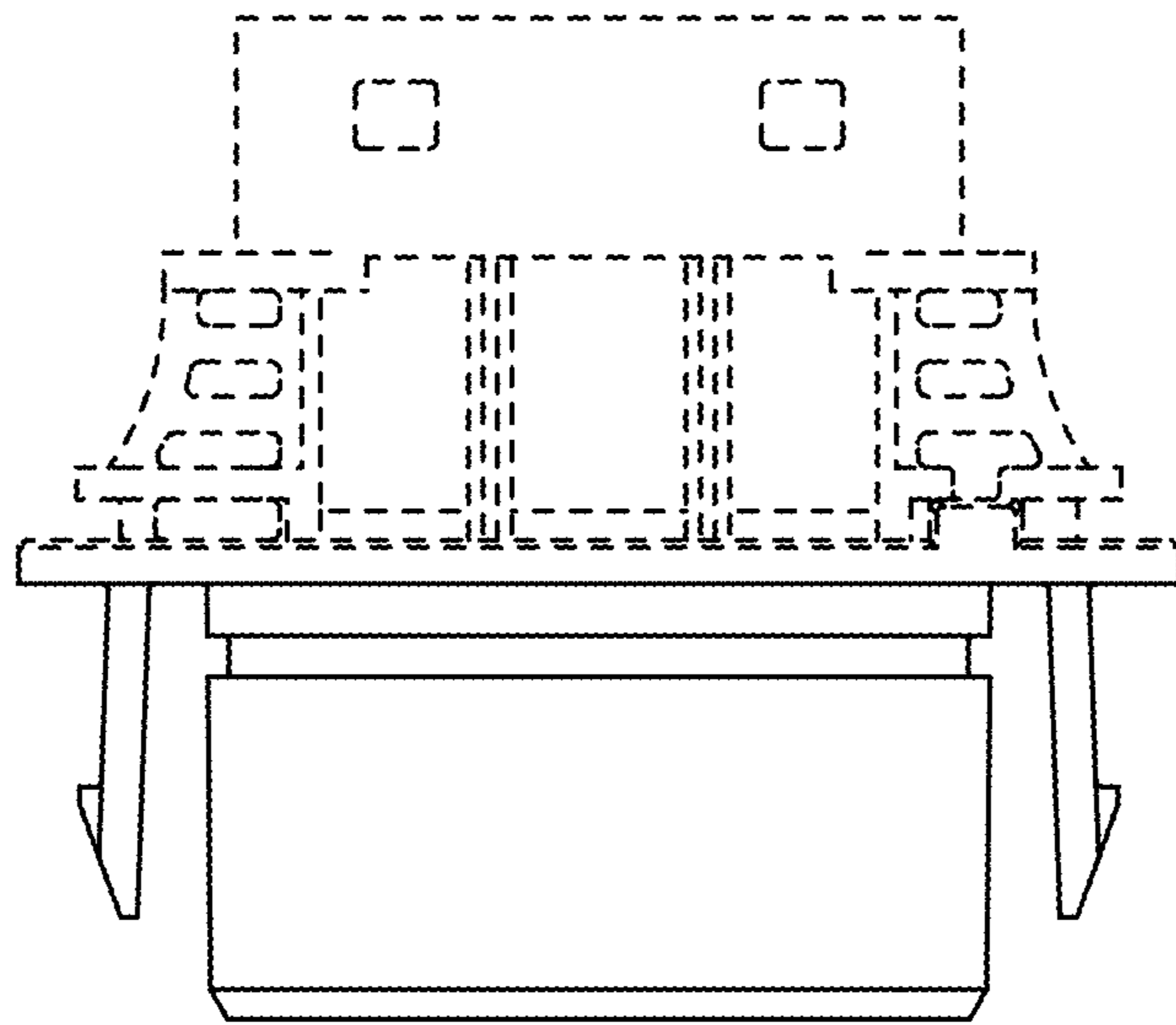


FIG. 5

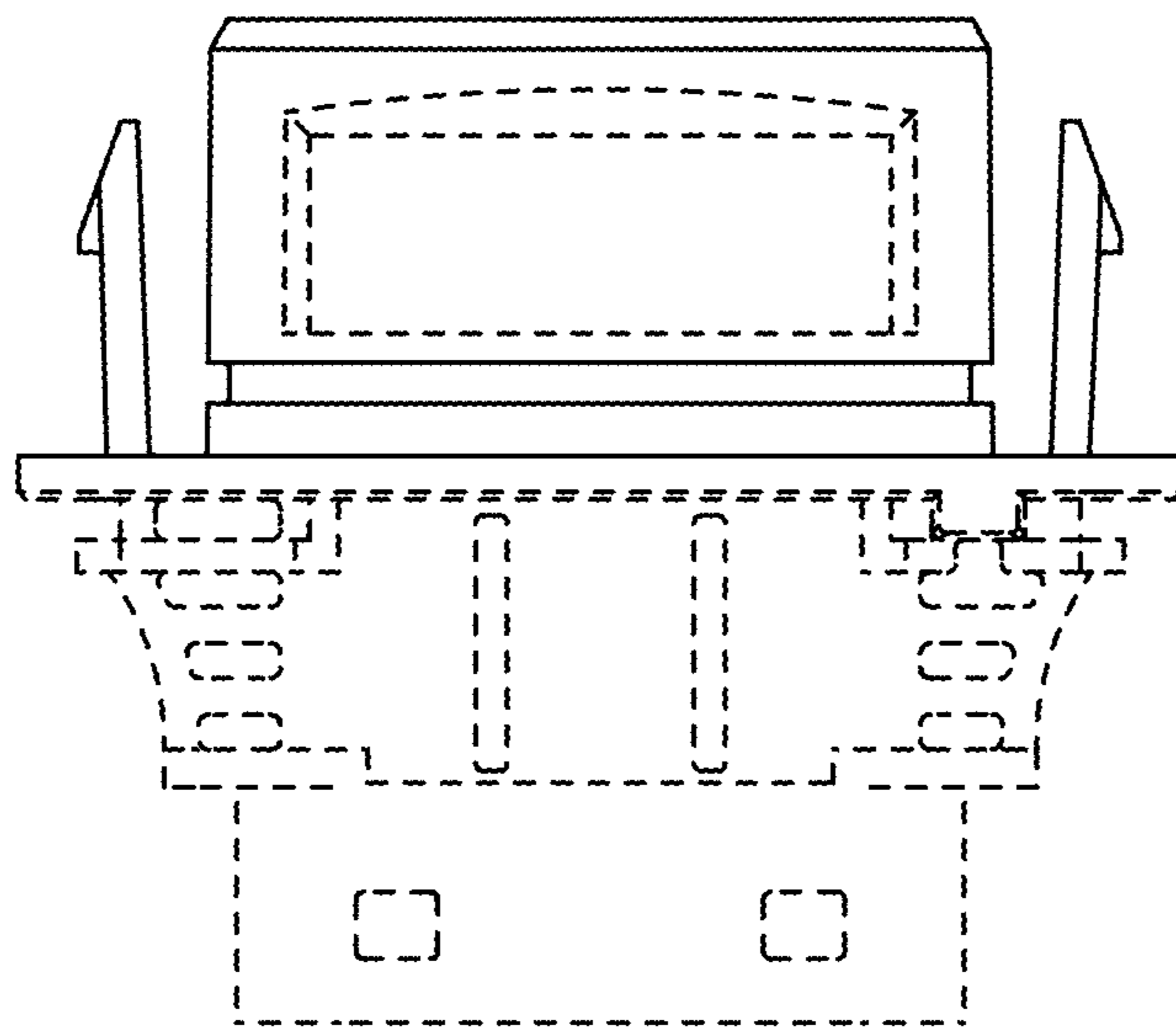


FIG. 6

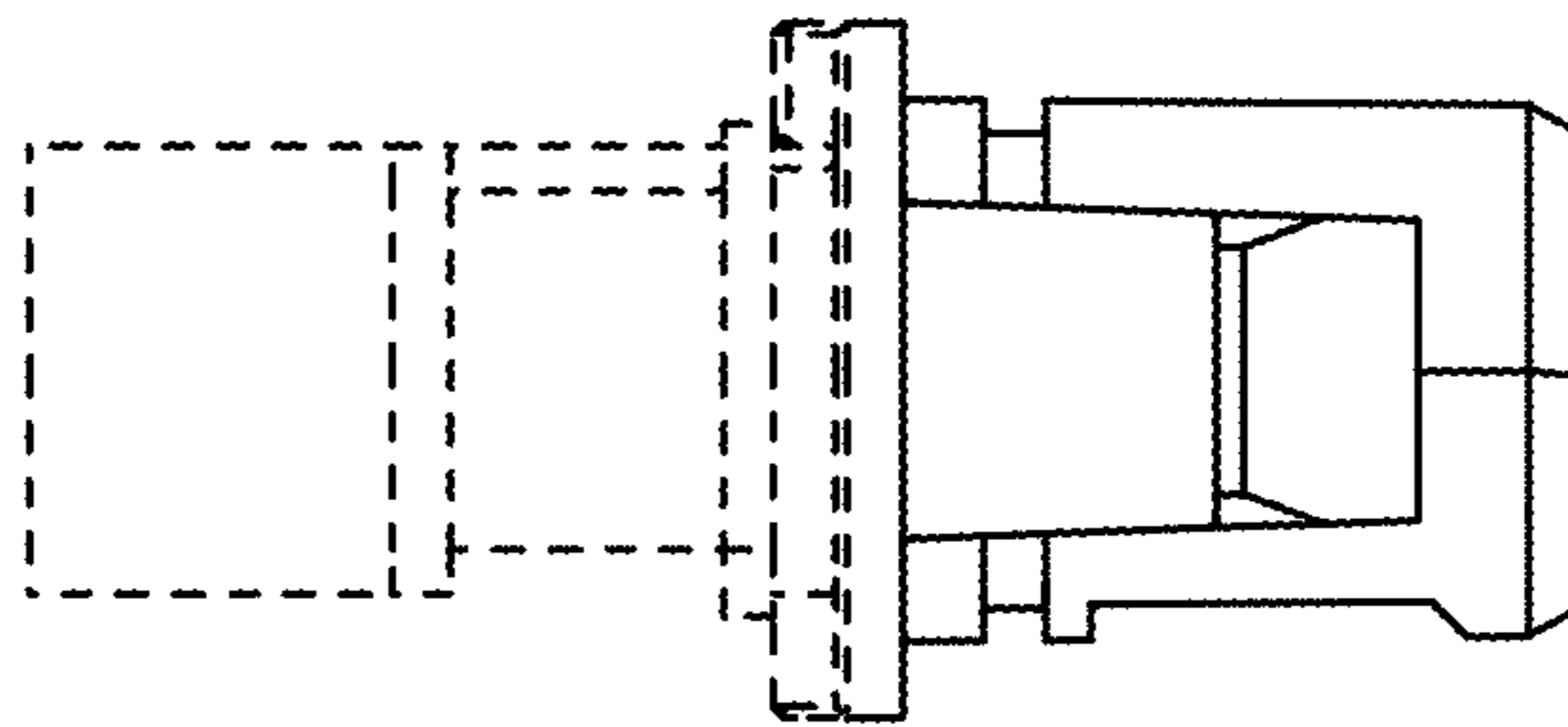


FIG. 7

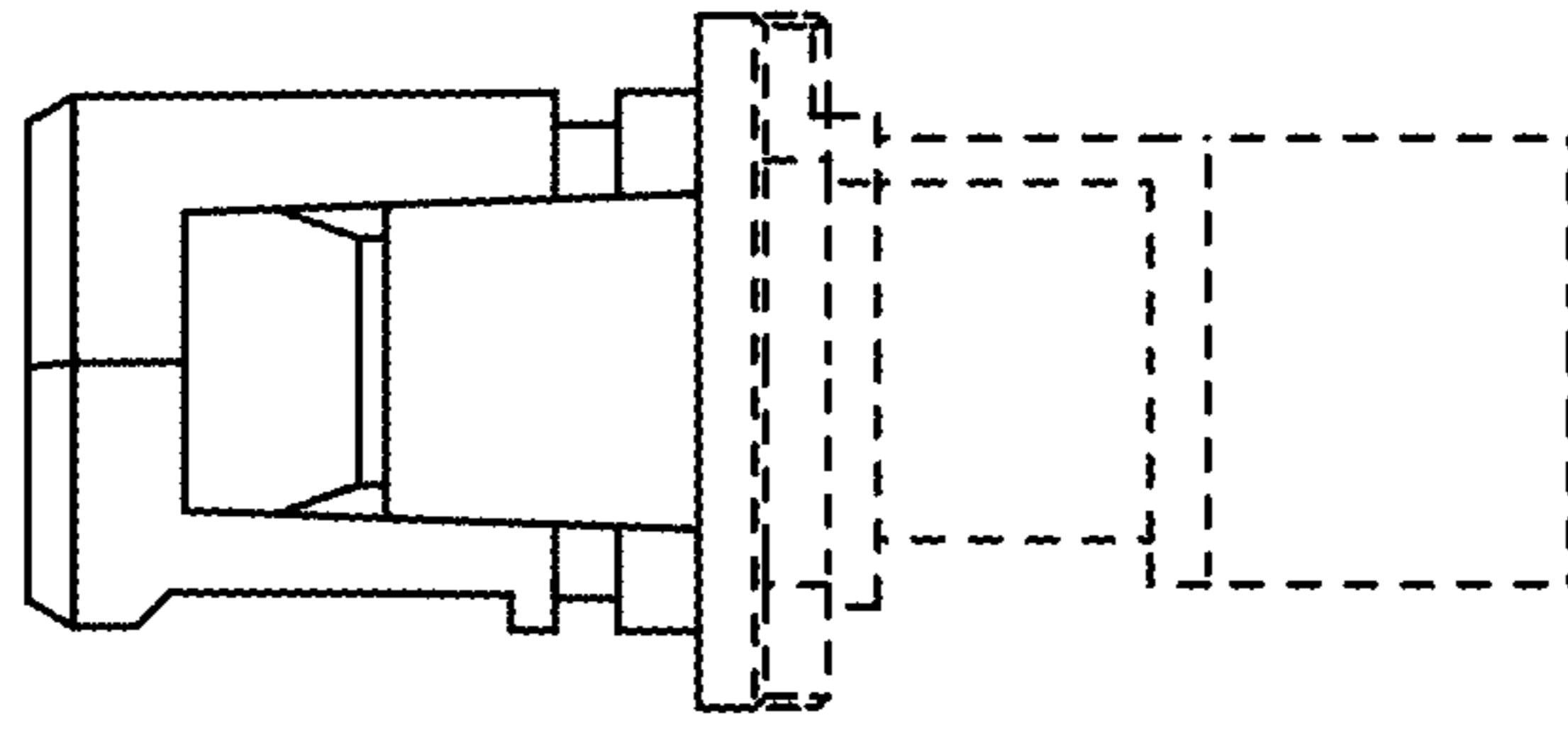


FIG. 8