



US00D753595S

(12) **United States Design Patent**  
**Yao**

(10) **Patent No.:** **US D753,595 S**  
(45) **Date of Patent:** **\*\* Apr. 12, 2016**

(54) **DOUBLE ENDED SOCKET**

(71) Applicant: **RUIAN HENGXIONG ELECTRIC CO., LTD.**, Ruian, Zhejiang (CN)

(72) Inventor: **Xiong Yao**, Zhejiang (CN)

(73) Assignee: **RUIAN HENGXIONG ELECTRIC CO., LTD.**, Zhejiang (CN)

(\*\*) Term: **14 Years**

(21) Appl. No.: **29/498,322**

(22) Filed: **Aug. 1, 2014**

(30) **Foreign Application Priority Data**

May 29, 2014 (CN) ..... 2014 3 0157916

(51) **LOC (10) Cl.** ..... **13-03**

(52) **U.S. Cl.**  
USPC ..... **D13/134; D13/133**

(58) **Field of Classification Search**  
USPC ..... D13/110, 118, 120, 123, 133-136,  
D13/137.1, 138.1, 139.1, 139.3, 147, 152,  
D13/154, 158-160, 173, 184, 199  
CPC ..... H02G 3/14; H01H 1/58; H01H 1/5866;  
H01H 13/18; H01H 13/187; H01H 33/7642  
See application file for complete search history.

(56) **References Cited**

**U.S. PATENT DOCUMENTS**

4,197,959 A \* 4/1980 Kramer ..... H02B 1/066  
174/67  
D552,550 S \* 10/2007 Lin ..... D13/133

D569,344 S \* 5/2008 Kawasaki ..... D13/134  
D570,287 S \* 6/2008 Chen ..... D13/133  
D597,487 S \* 8/2009 Barnes, Jr. .... D13/139.1  
2013/0306343 A1 \* 11/2013 Magno, Jr. .... H02G 3/088  
174/67

\* cited by examiner

*Primary Examiner* — Thomas Johannes

*Assistant Examiner* — Shawn T Gingrich

(74) *Attorney, Agent, or Firm* — Christensen Fonder P.A.

(57) **CLAIM**

I claim the ornamental design for double ended socket, as shown and described.

**DESCRIPTION**

FIG. 1 is a perspective view of a front, top, and left side of the double ended socket;

FIG. 2 is a top plan view of the double ended socket of FIG. 1;

FIG. 3 is a right-side elevational view of the double ended socket of FIG. 1;

FIG. 4 is a left-side elevational view of the double ended socket of FIG. 1;

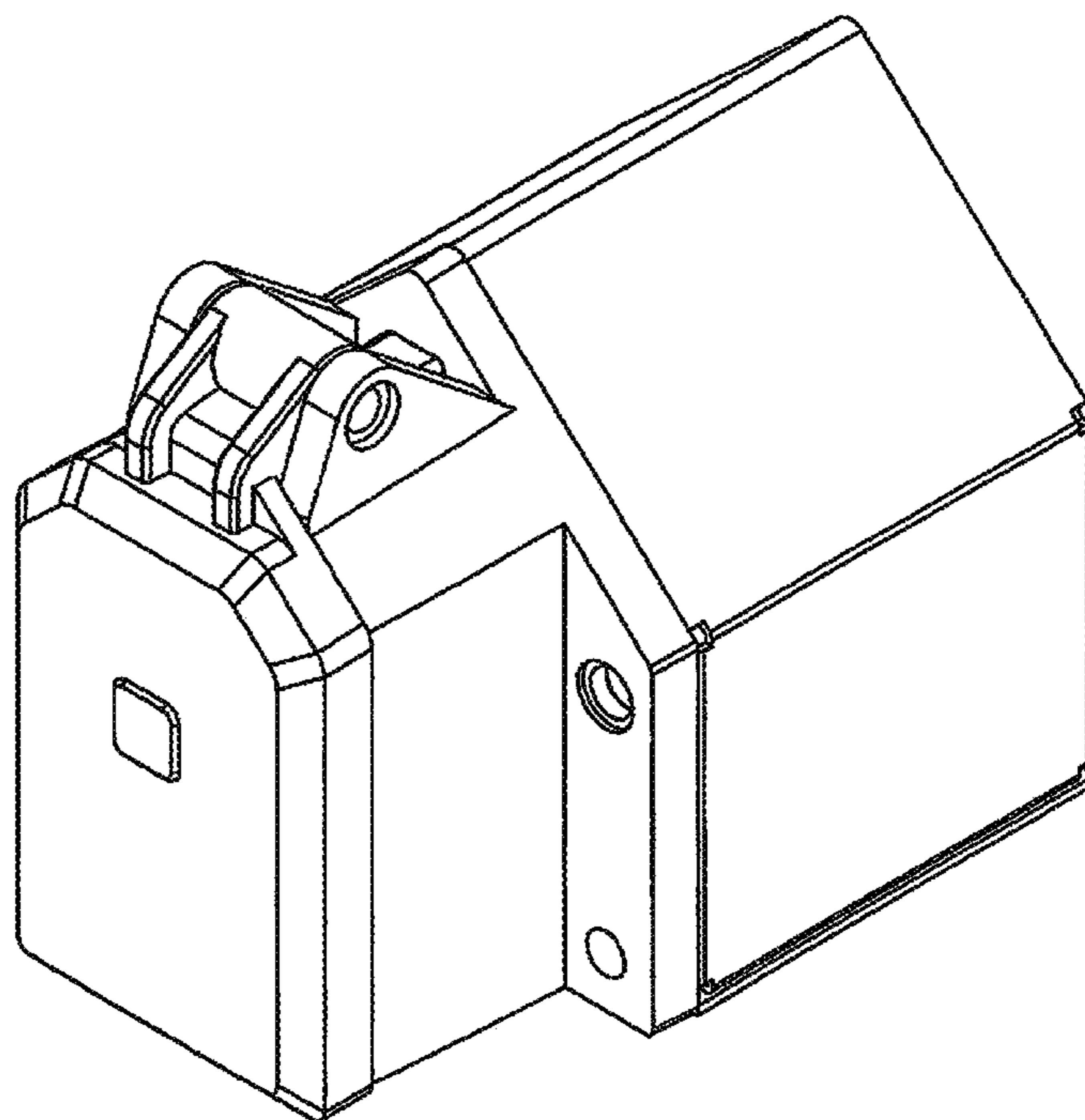
FIG. 5 is a front elevational view of the double ended socket of FIG. 1;

FIG. 6 is a rear elevational view of the double ended socket of FIG. 1; and,

FIG. 7 is a bottom plan view of the double ended socket of FIG. 1.

The broken line portion of the figure drawings is included to show portions of the article that form(s) no part of the claimed design.

**1 Claim, 5 Drawing Sheets**



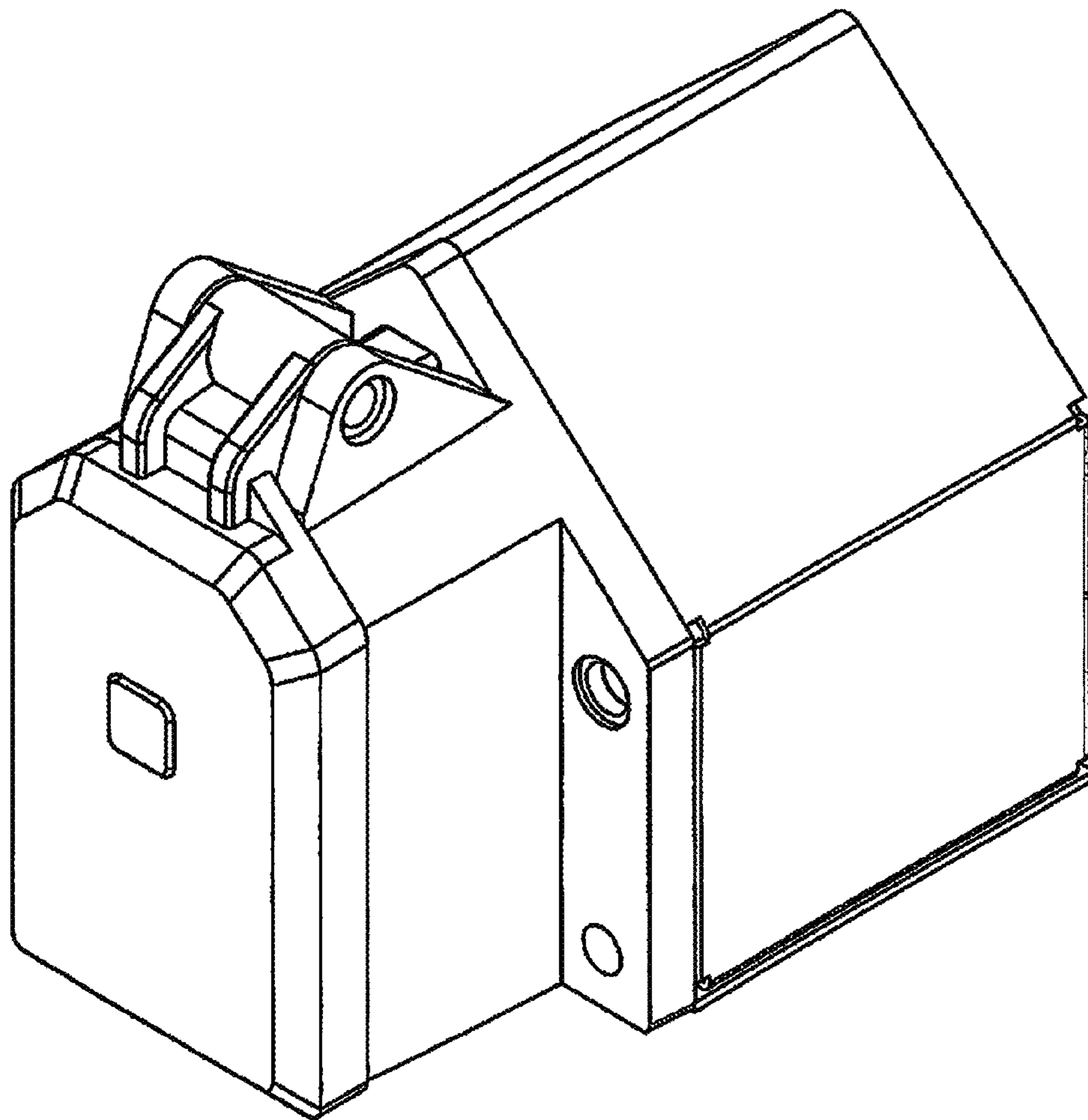


FIG. 1

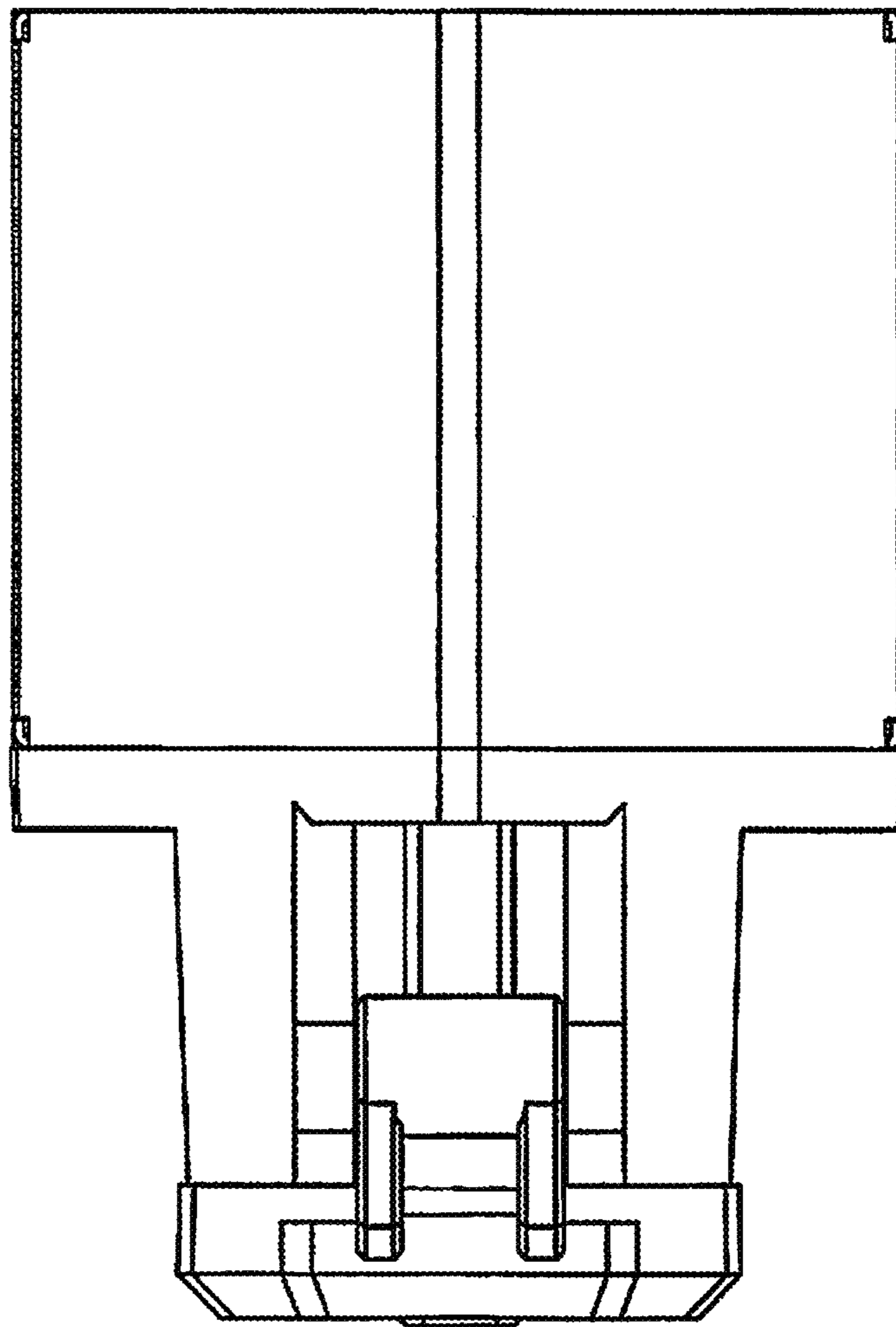


FIG. 2

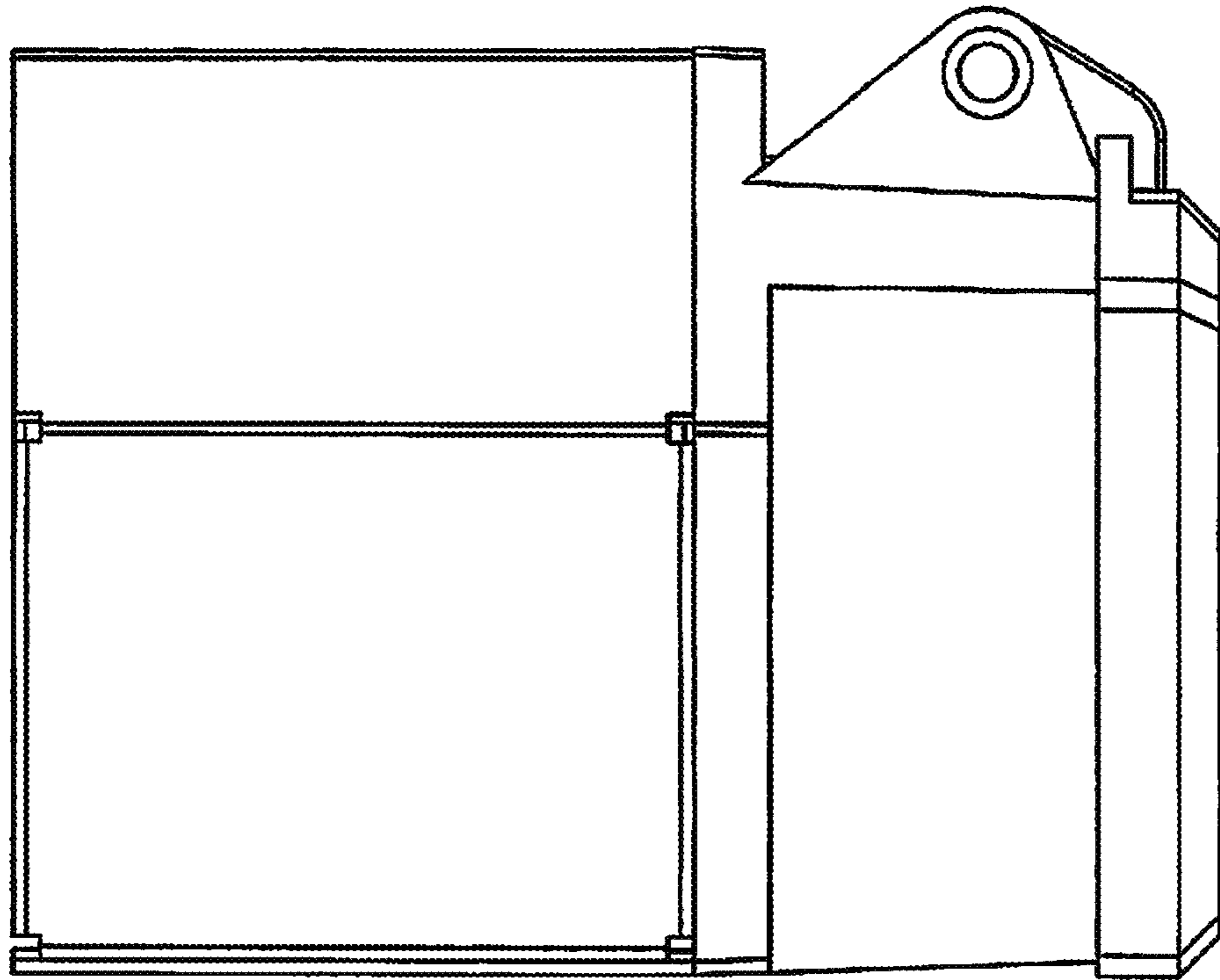


FIG. 3

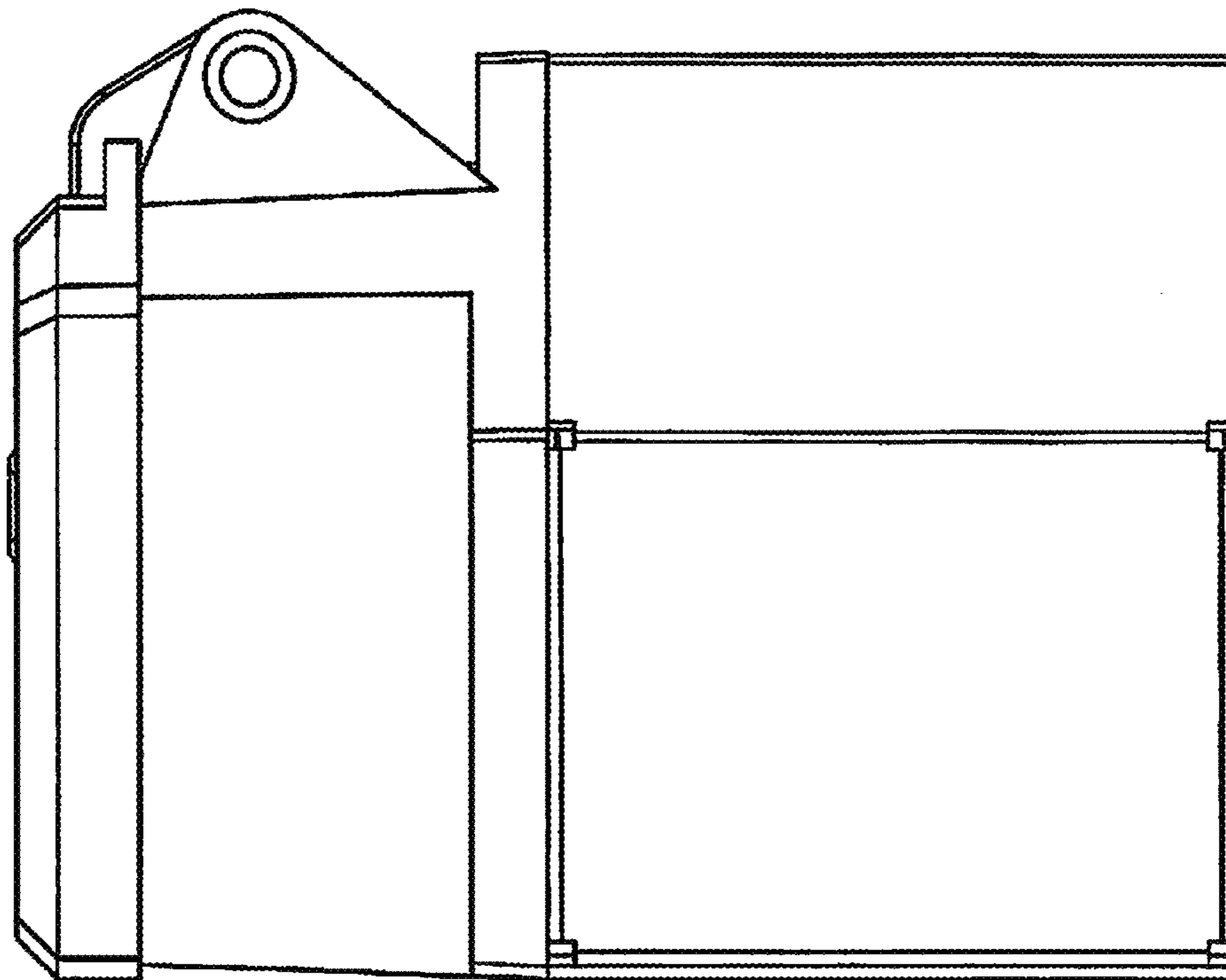


FIG. 4

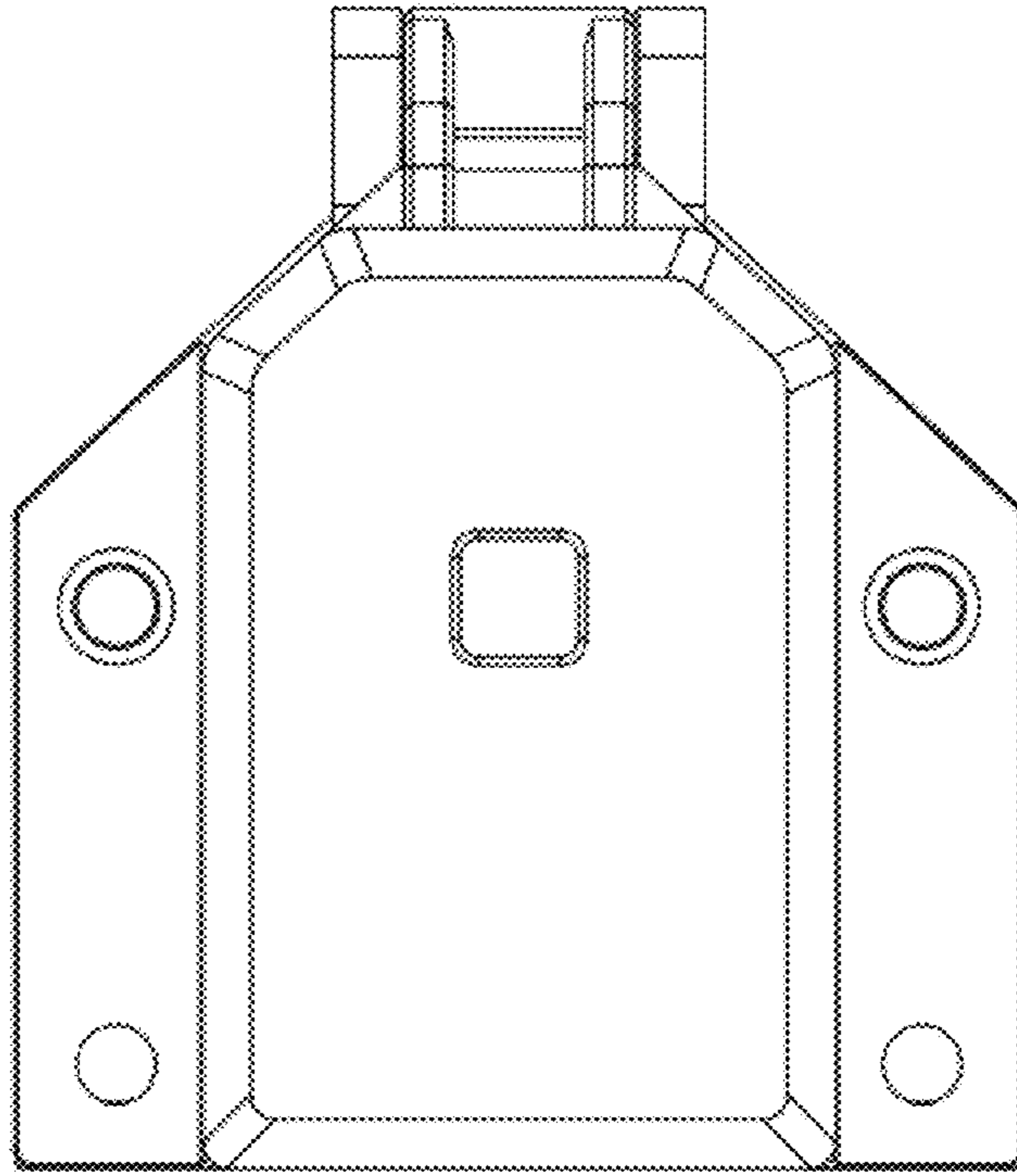


FIG. 5

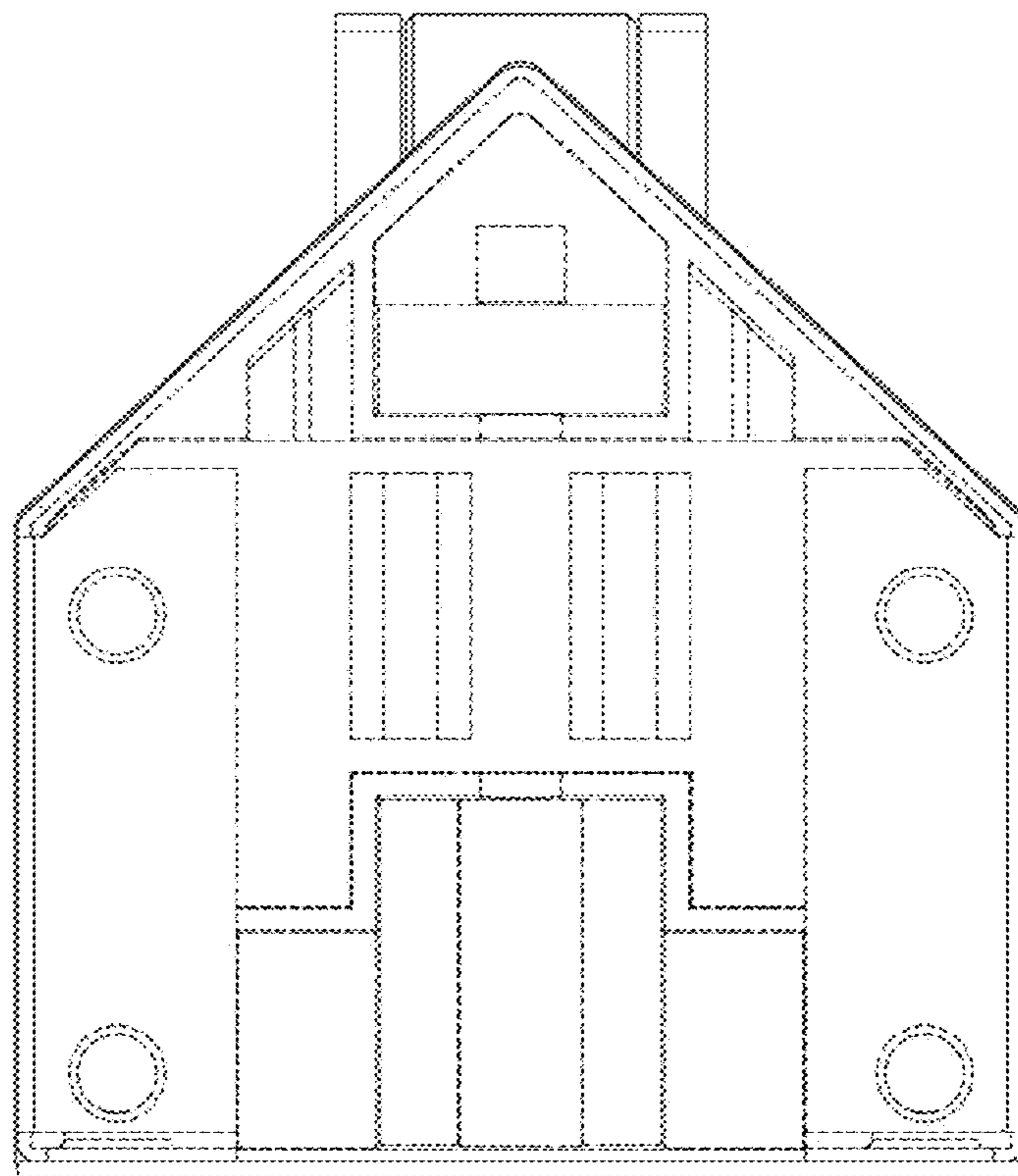


FIG. 6

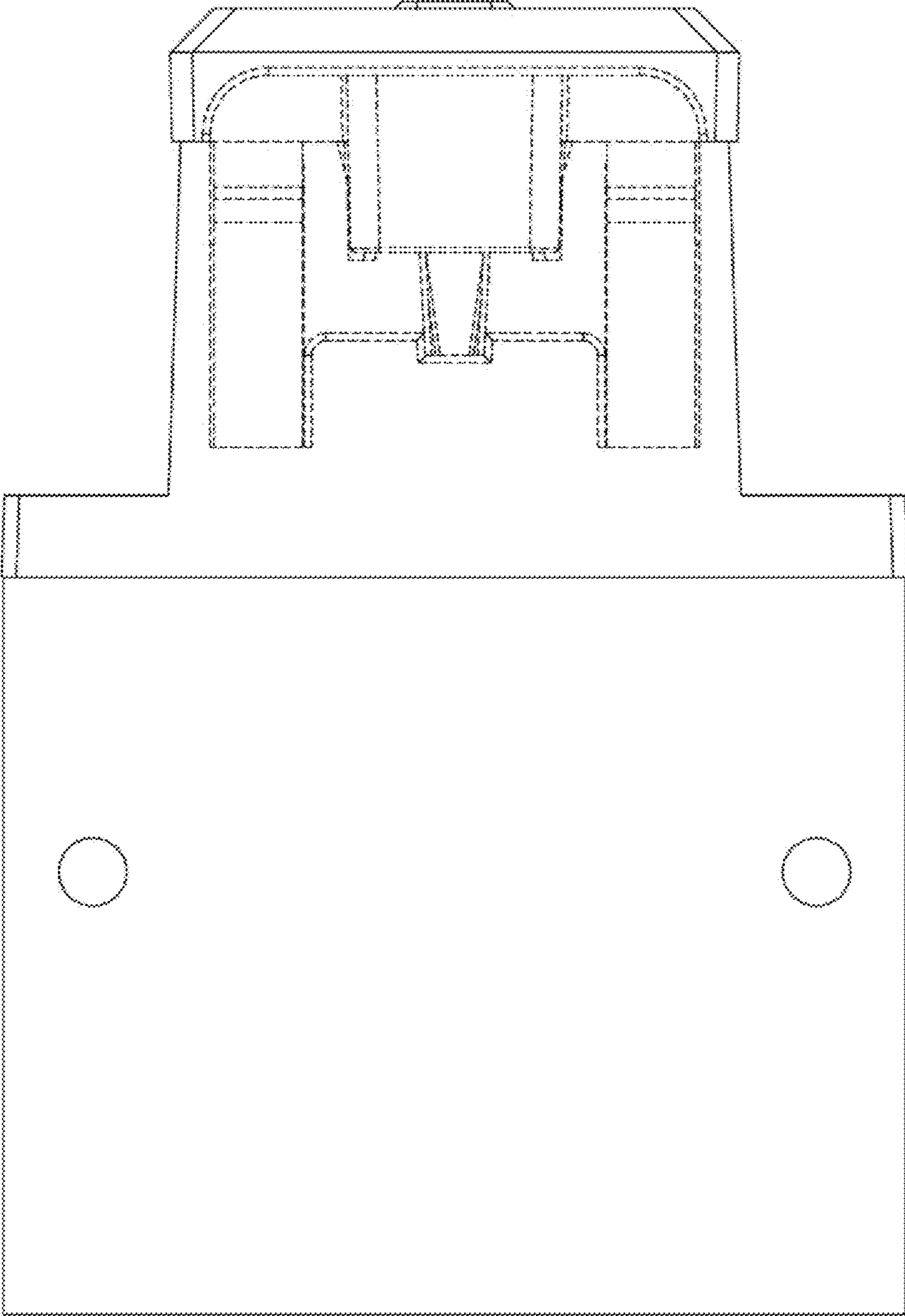


FIG. 7