



US00D753594S

(12) **United States Design Patent**
Katagiyama et al.

(10) **Patent No.:** **US D753,594 S**
(45) **Date of Patent:** **** Apr. 12, 2016**

(54) **OPTICAL CONNECTOR**

- (71) Applicant: **Japan Aviation Electronics Industry, Limited**, Tokyo (JP)
- (72) Inventors: **Naoki Katagiyama**, Tokyo (JP); **Yuichi Koreeda**, Tokyo (JP)
- (73) Assignee: **Japan Aviation Electronics Industry, Limited**, Tokyo (JP)

(**) Term: **15 Years**

(21) Appl. No.: **29/527,117**

(22) Filed: **May 15, 2015**

(30) **Foreign Application Priority Data**

Dec. 2, 2014 (JP) 2014-026849

(51) **LOC (10) Cl.** **13-03**

(52) **U.S. Cl.**
USPC **D13/133**

(58) **Field of Classification Search**
USPC D13/110, 118, 123, 133-139.8, 146,
D13/147, 151, 154, 156, 184, 199
CPC H01R 9/00; H01R 12/00; H01R 13/00;
H01R 24/00; H01R 33/00; H01R 4/24;
H01R 13/64; H01R 13/66; H01R 33/08;
H01R 33/05; H01R 33/02; H01R 33/76

See application file for complete search history.

(56) **References Cited**

U.S. PATENT DOCUMENTS

- 6,226,068 B1 * 5/2001 Arcykiewicz H01R 13/625
439/314
- D446,771 S * 8/2001 Bosatelli D13/146
- D601,504 S * 10/2009 Rupp D13/147
- 2009/0305542 A1 * 12/2009 Masuzaki H01R 13/625
439/335
- 2010/0104355 A1 * 4/2010 Sugimoto G02B 6/3897
403/292

FOREIGN PATENT DOCUMENTS

JP 1503677 S 7/2014

* cited by examiner

Primary Examiner — Daniel Bui

Assistant Examiner — Shawn T Gingrich

(74) *Attorney, Agent, or Firm* — Cermak Nakajima & McGowan LLP; Tomoko Nakajima

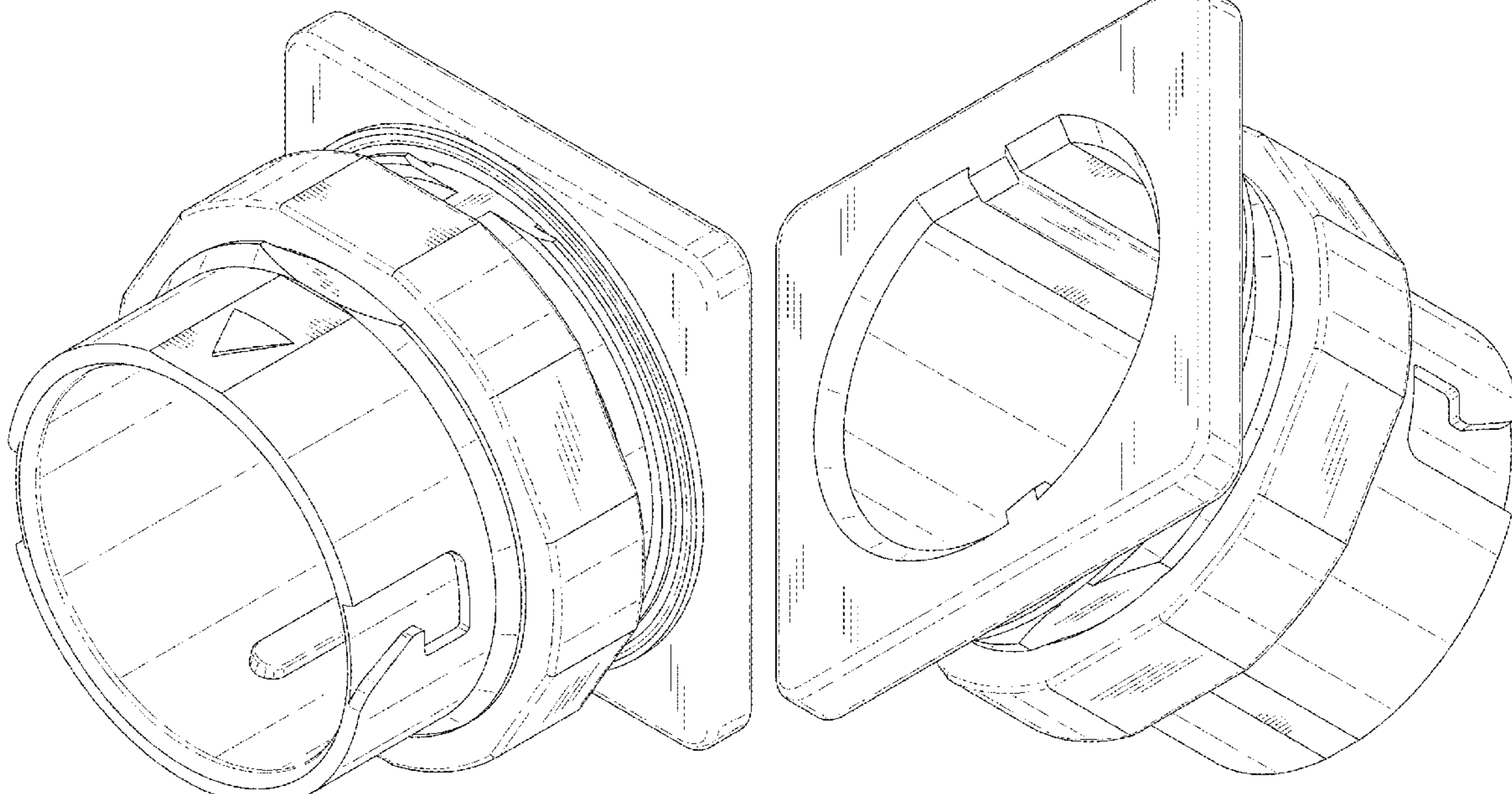
(57) **CLAIM**

The ornamental design for an optical connector, as shown.

DESCRIPTION

FIG. 1 is a front elevational view of an optical connector showing our new design;
FIG. 2 is a top plan view thereof;
FIG. 3 is a right side elevational view thereof;
FIG. 4 is a left side elevational view thereof;
FIG. 5 is a rear elevational view thereof; and
FIG. 6 is a bottom plan view thereof.
FIG. 7 is a front and top perspective view thereof;
FIG. 8 is a rear and top perspective view thereof;
FIG. 9 is a front and bottom perspective view thereof; and
FIG. 10 is a rear and bottom perspective view thereof.

1 Claim, 10 Drawing Sheets



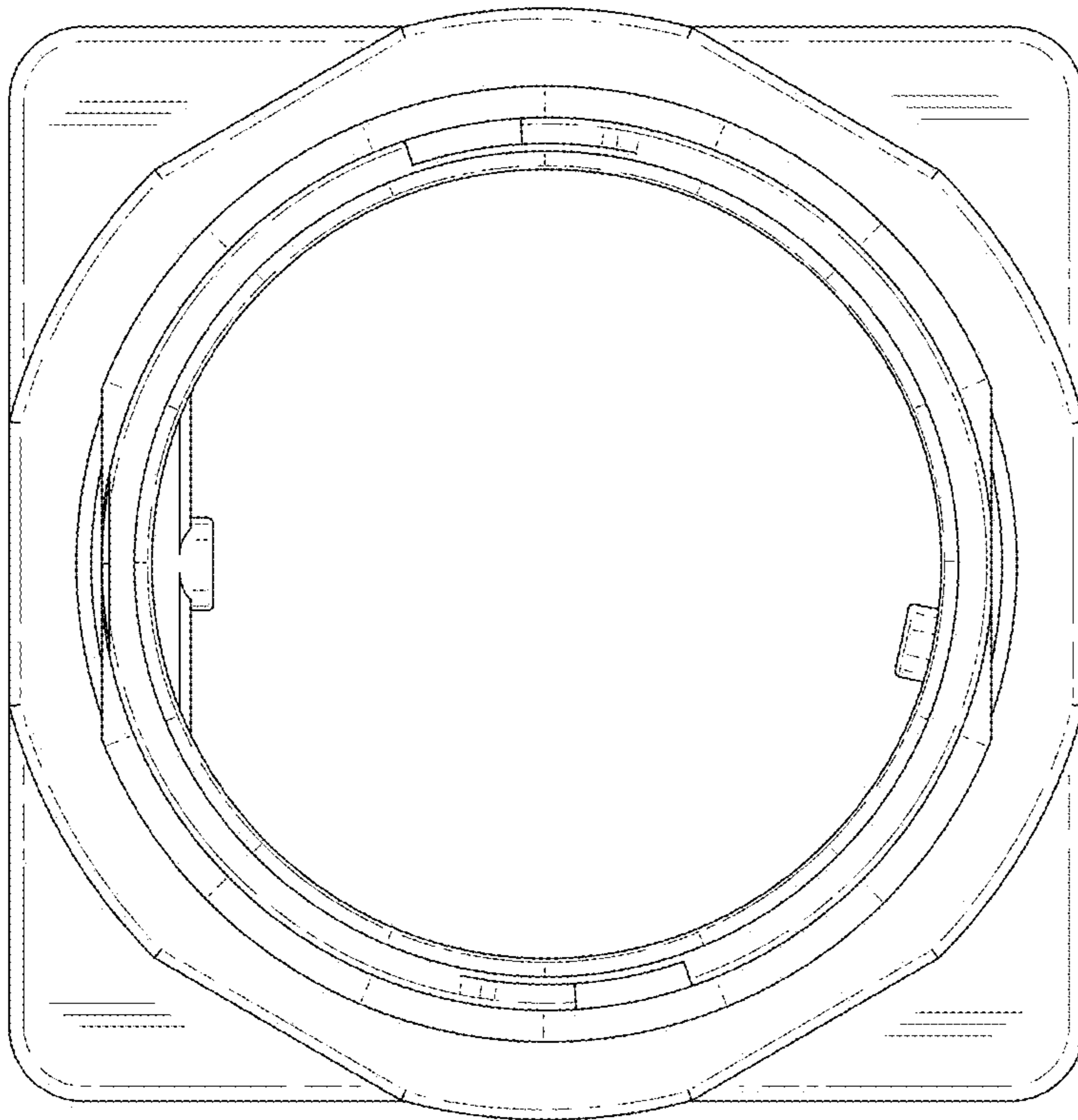


FIG.1

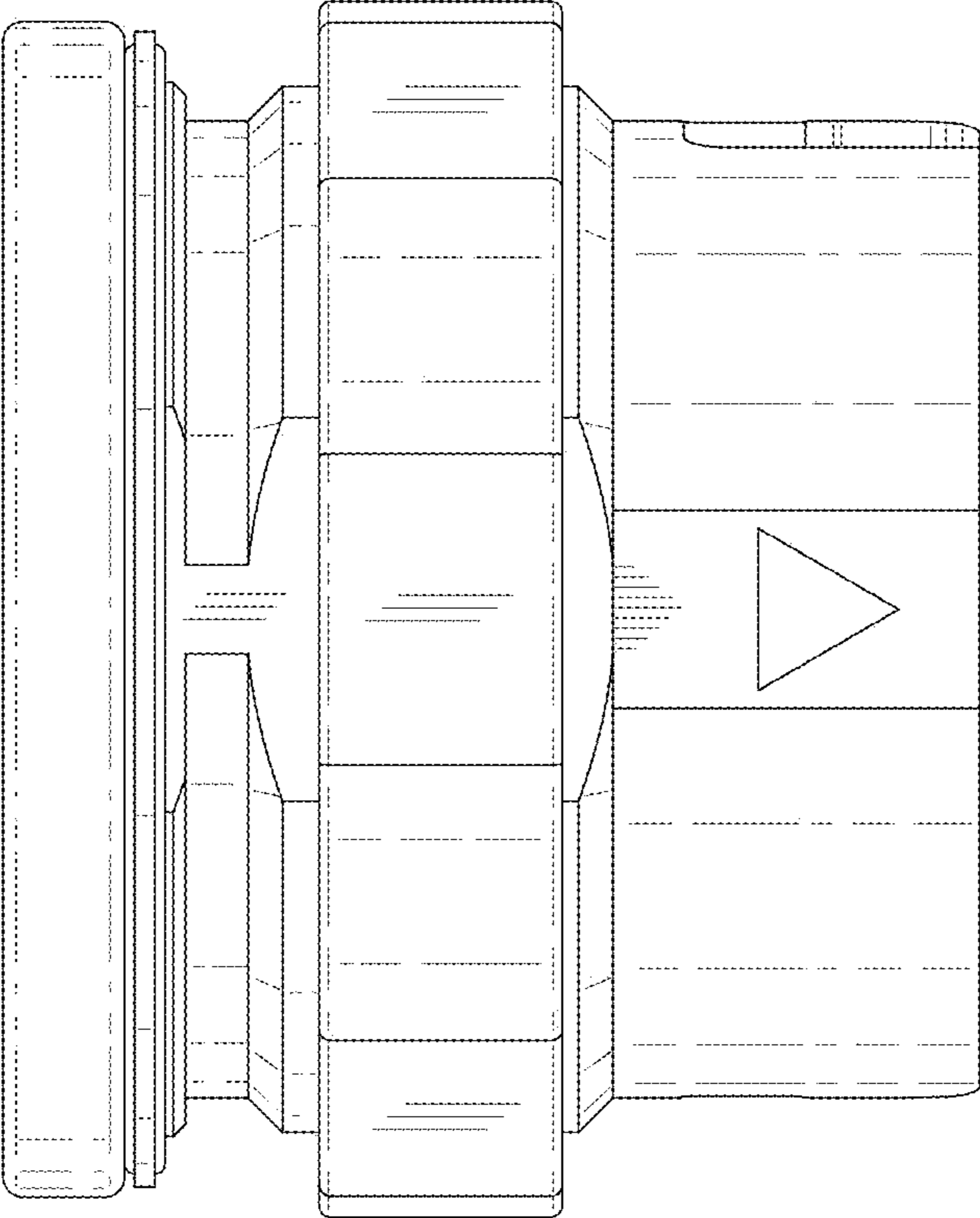


FIG.2

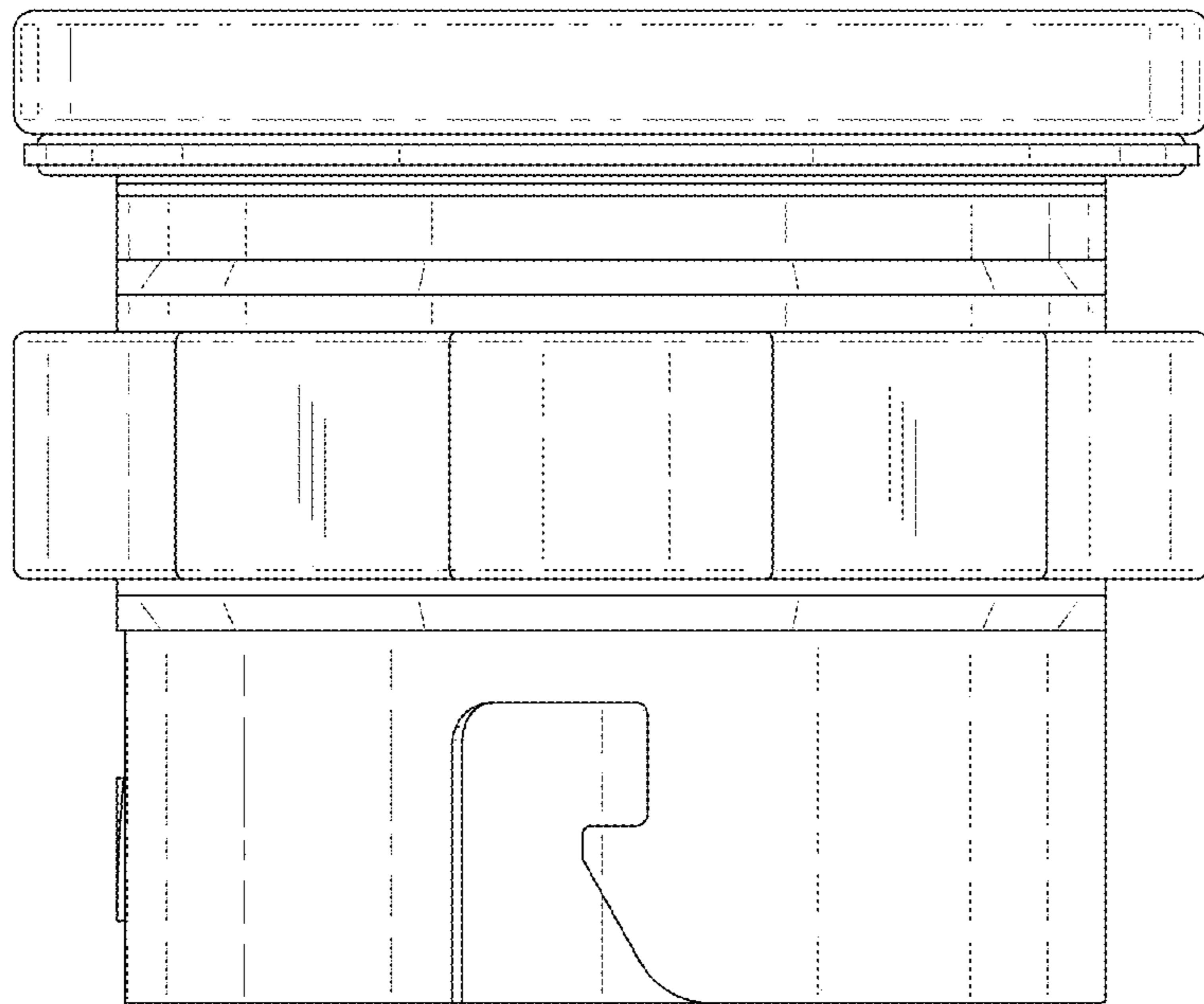


FIG.3

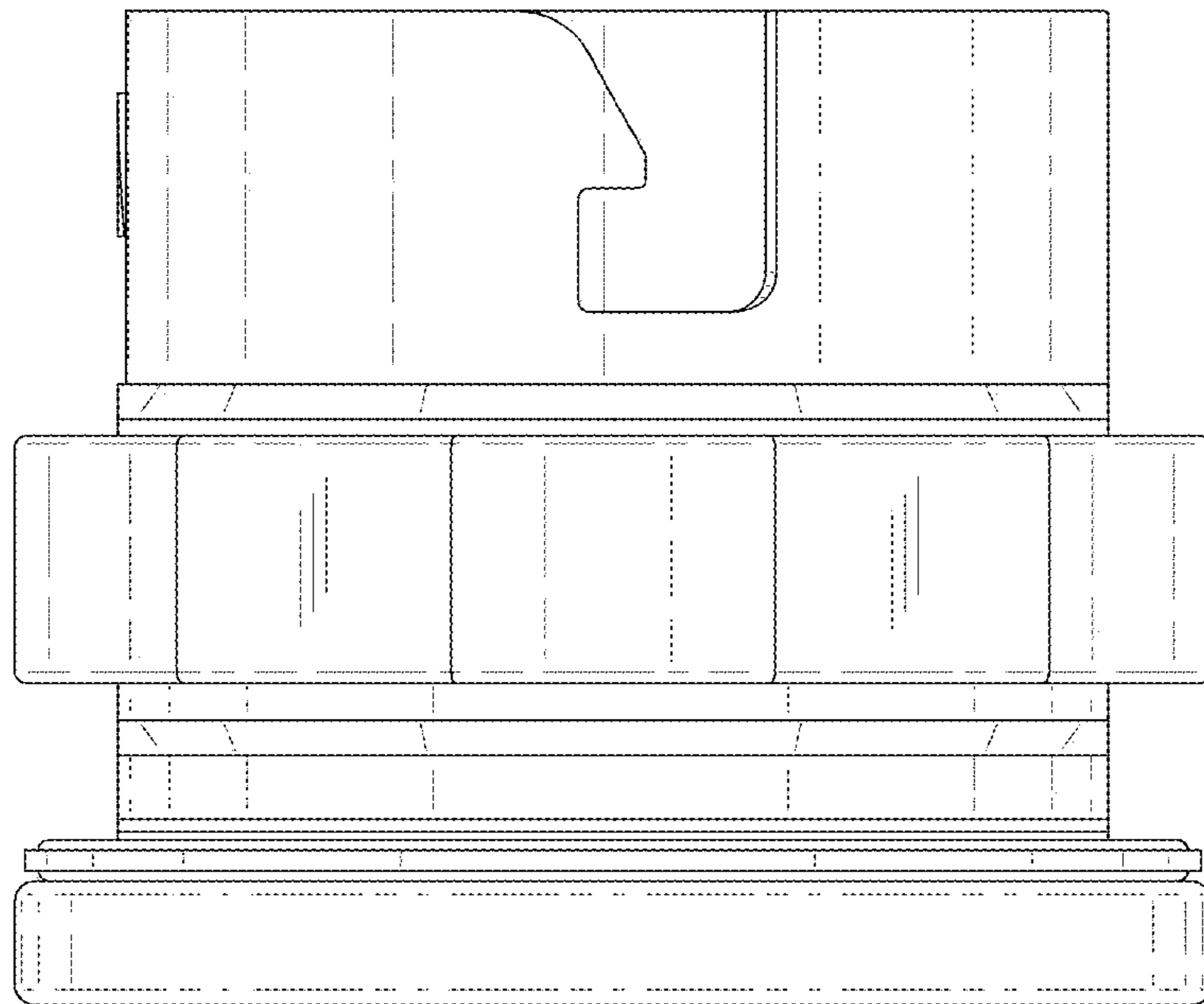


FIG.4

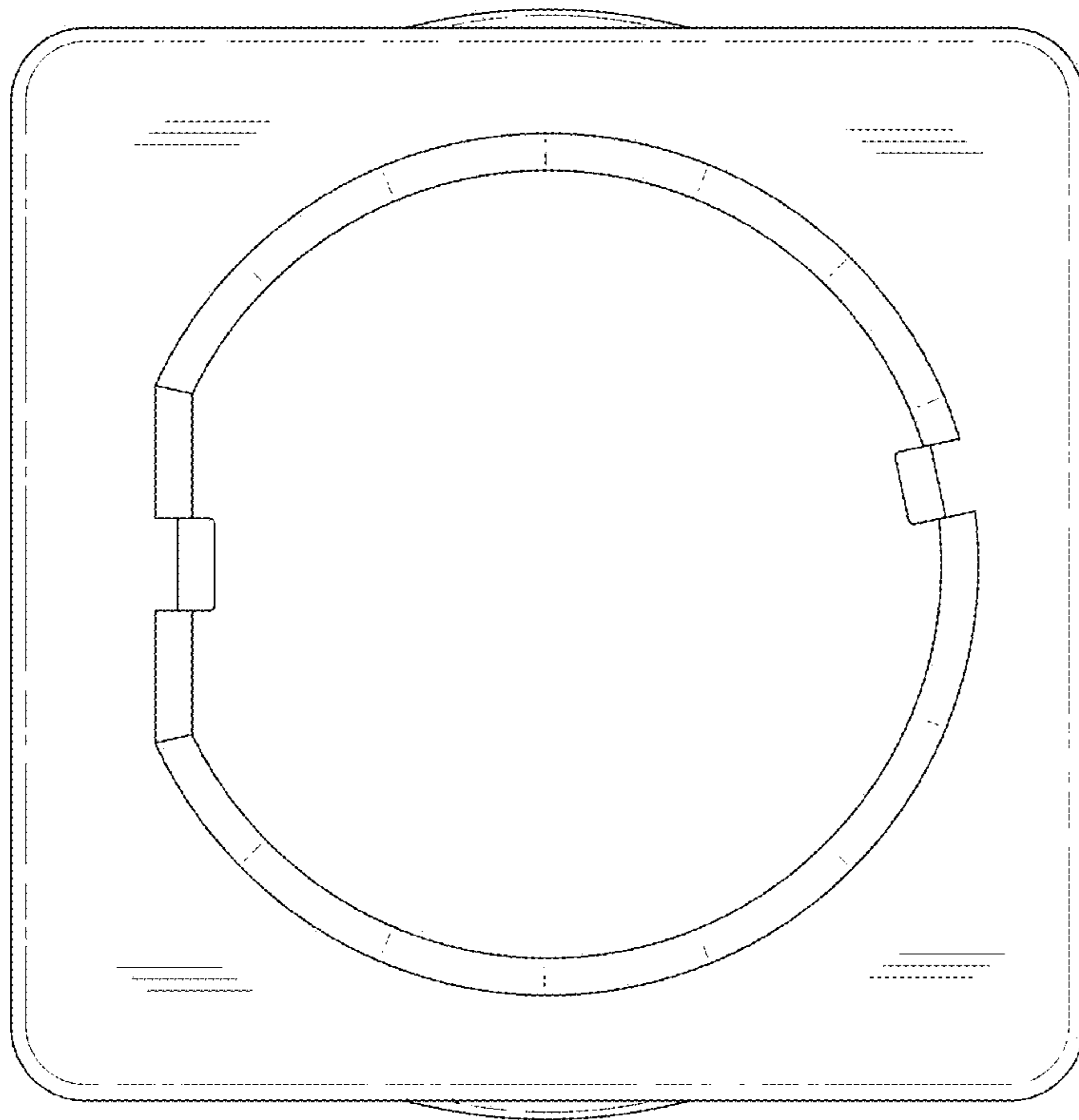


FIG. 5

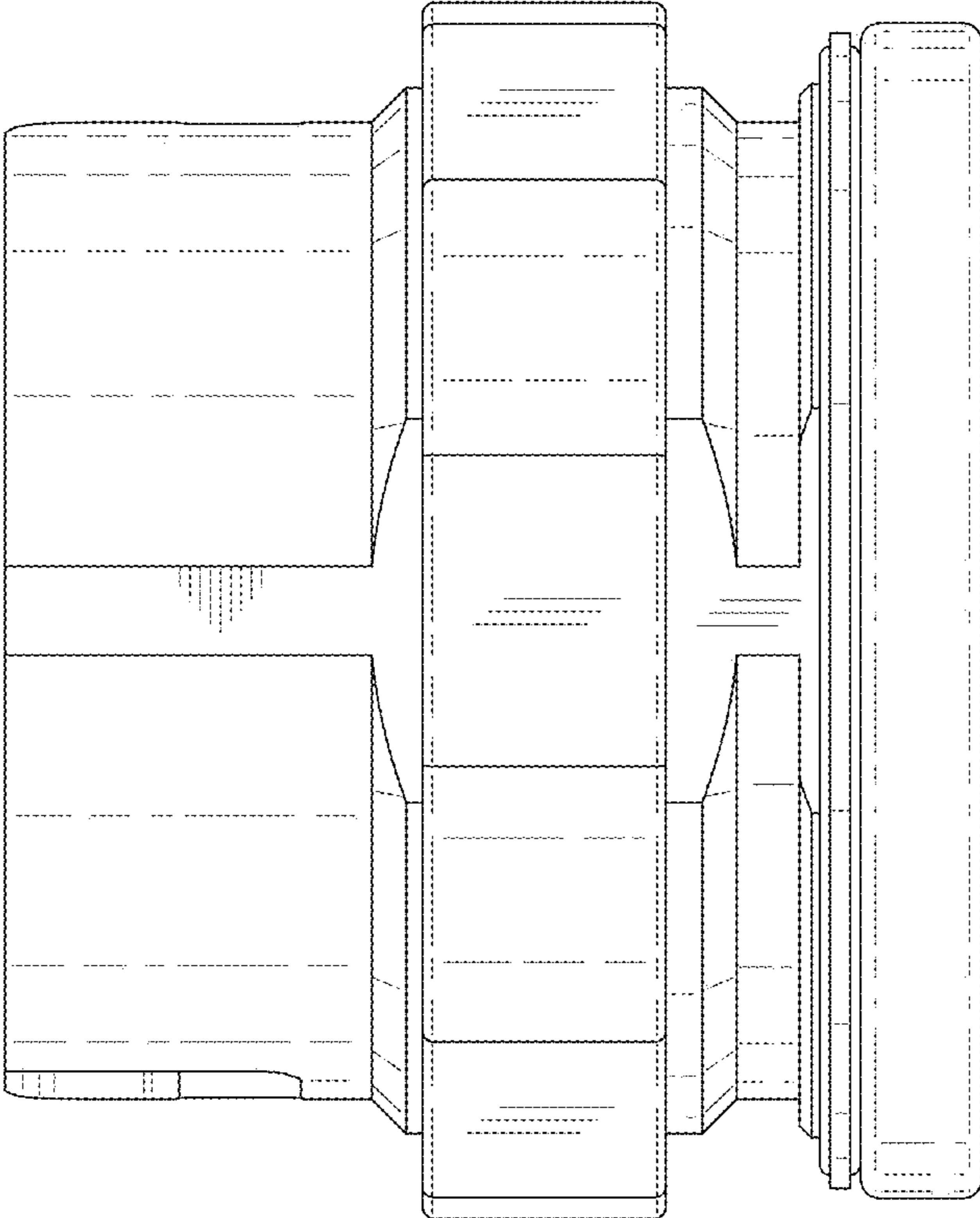


FIG.6

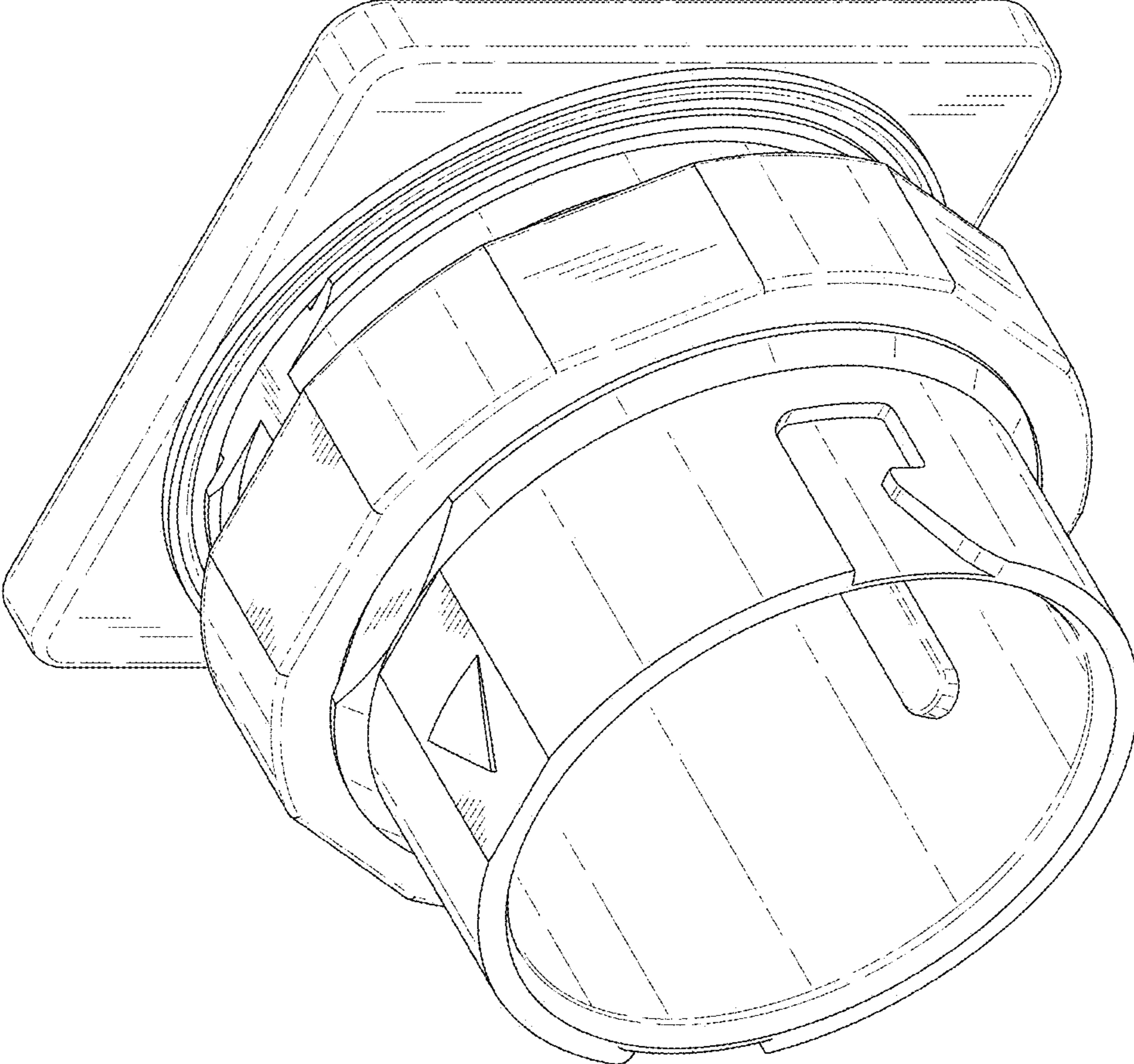


FIG.7

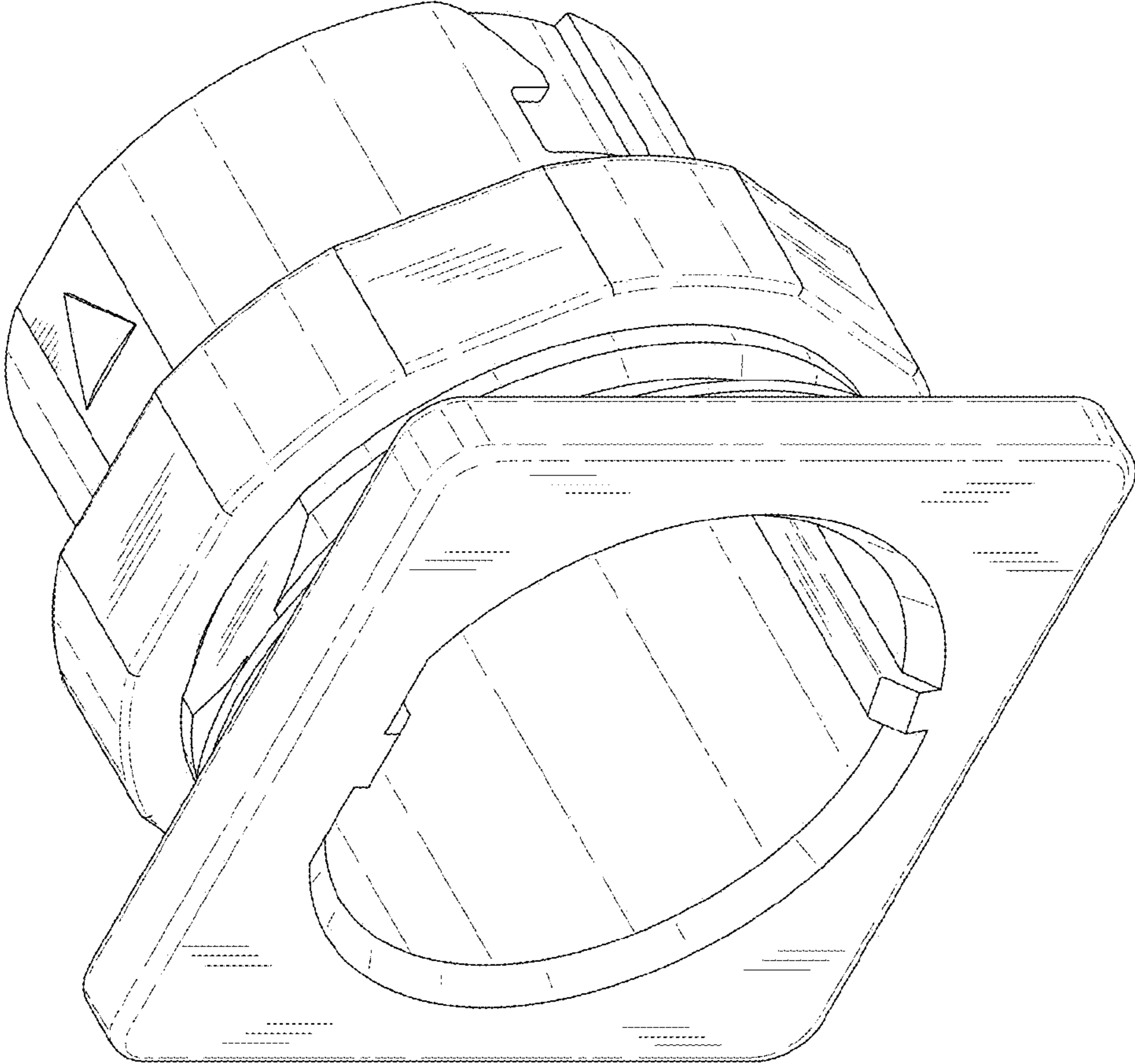


FIG.8

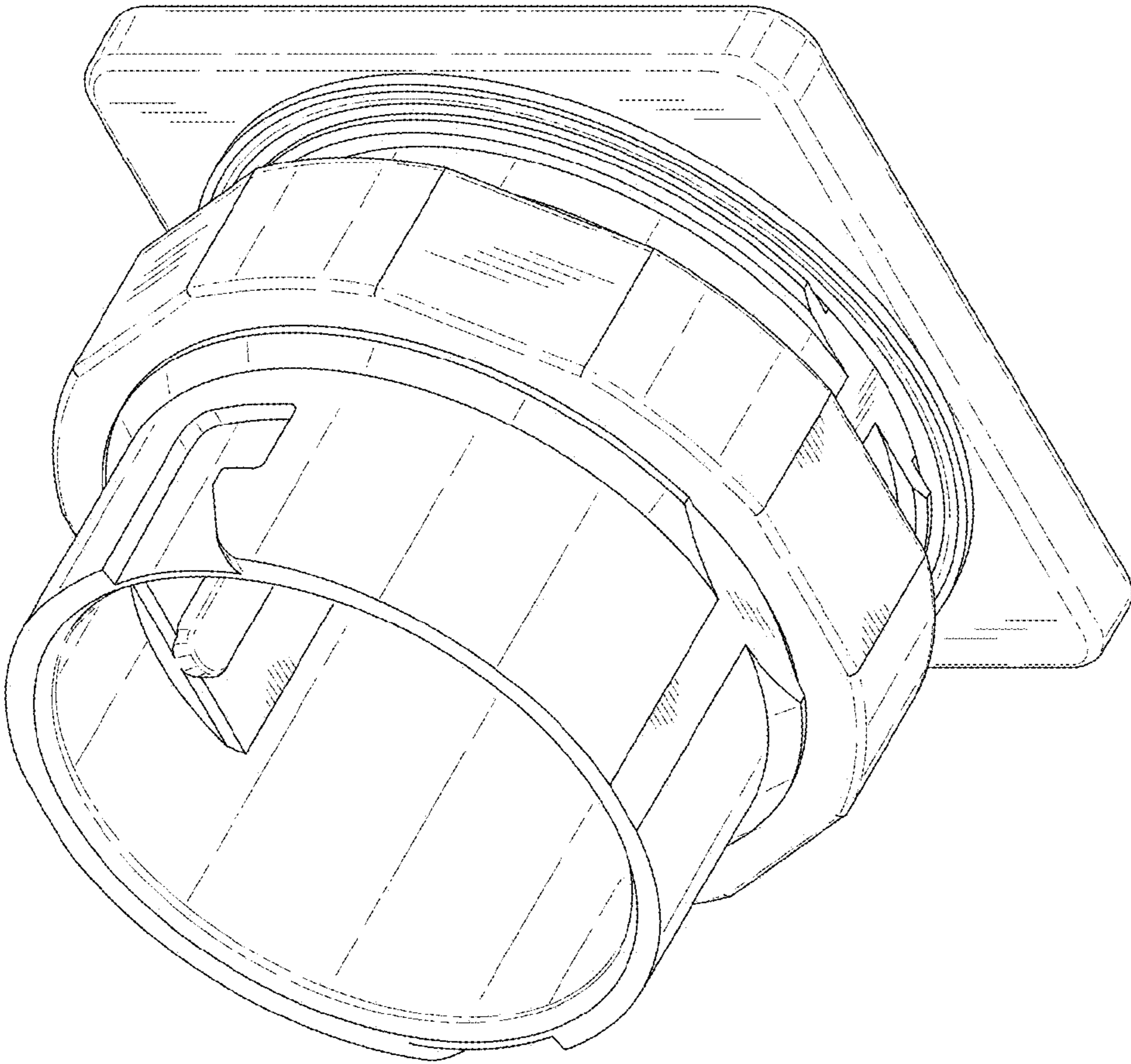


FIG. 9

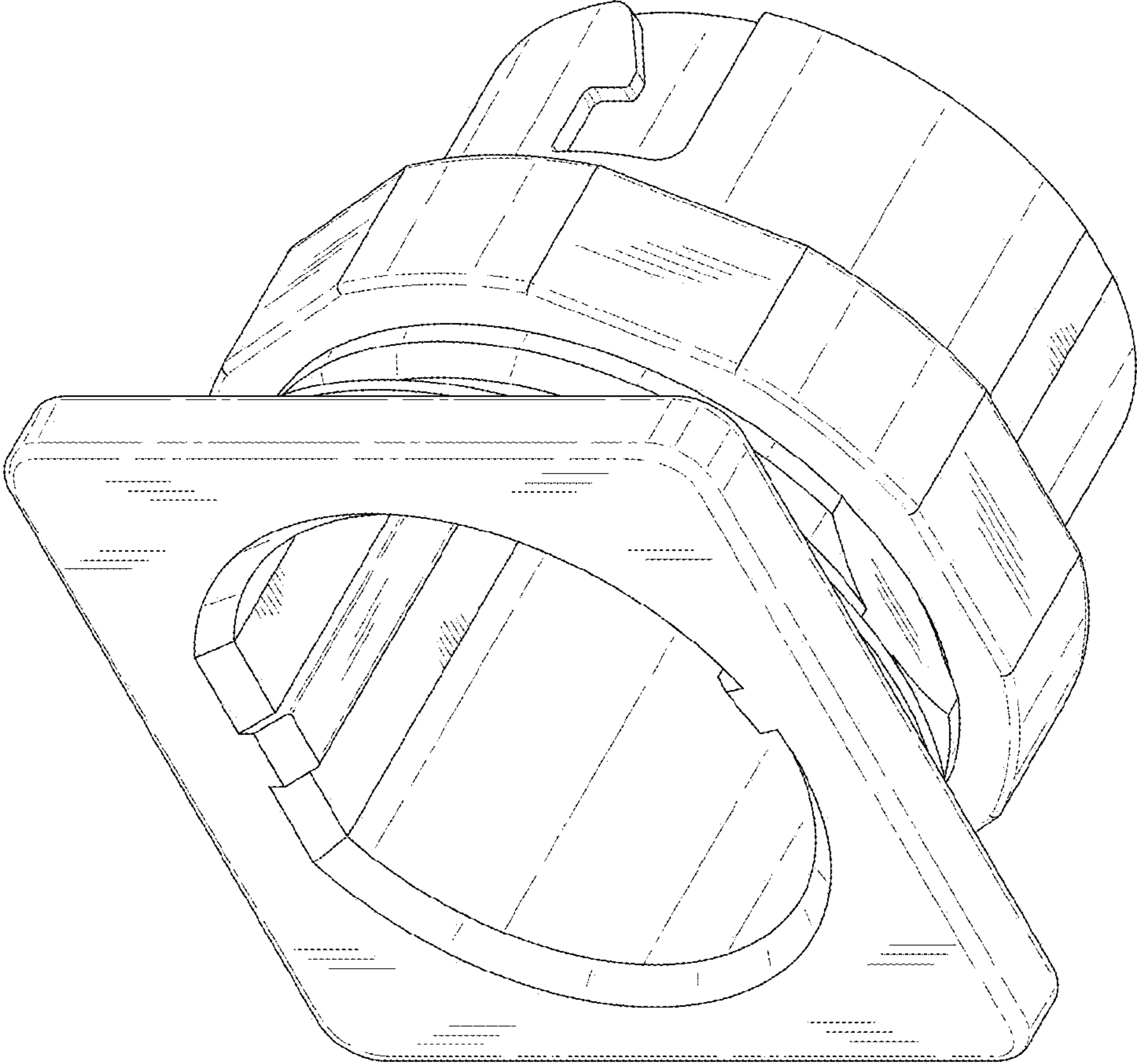


FIG.10