



US00D753593S

(12) **United States Design Patent**  
**Benedict et al.**

(10) **Patent No.:** **US D753,593 S**  
(45) **Date of Patent:** **\*\* Apr. 12, 2016**

(54) **ELECTRICAL CORD HEAD**

(71) Applicants: **Dominic W Benedict**, Stokesdale, NC (US); **Noah Richard Haut**, Lexington, NC (US)

(72) Inventors: **Dominic W Benedict**, Stokesdale, NC (US); **Noah Richard Haut**, Lexington, NC (US)

(73) Assignee: **Camco Manufacturing, Inc.**, Greensboro, NC (US)

(\*\*) Term: **14 Years**

(21) Appl. No.: **29/505,002**

(22) Filed: **Apr. 17, 2015**

(51) **LOC (10) Cl.** ..... **13-03**

(52) **U.S. Cl.**  
USPC ..... **D13/133**

(58) **Field of Classification Search**  
USPC ..... D13/101, 108, 110, 118, 123, 133, D13/137.1-139.8, 145, 146, 154, 184, 199  
CPC ..... H01R 9/05; H01R 13/40; H01R 13/60; H01R 24/50; H01R 13/62; H01R 12/00; H01R 13/63; H01R 13/65; H01R 13/66; H01R 13/68; H01R 29/00; H01R 13/00

See application file for complete search history.

(56) **References Cited**

U.S. PATENT DOCUMENTS

D270,628 S *	9/1983	Bobrovniczky .....	D13/138.2
D514,524 S *	2/2006	Suckle .....	D13/156
D592,141 S	5/2009	Mancari .....	
D602,434 S *	10/2009	Mancari .....	D13/139.1
D664,095 S *	7/2012	Benedict .....	D13/138.2
D667,791 S *	9/2012	Angel .....	D13/133

\* cited by examiner

*Primary Examiner* — Daniel Bui  
*Assistant Examiner* — Shawn T Gingrich

(57) **CLAIM**

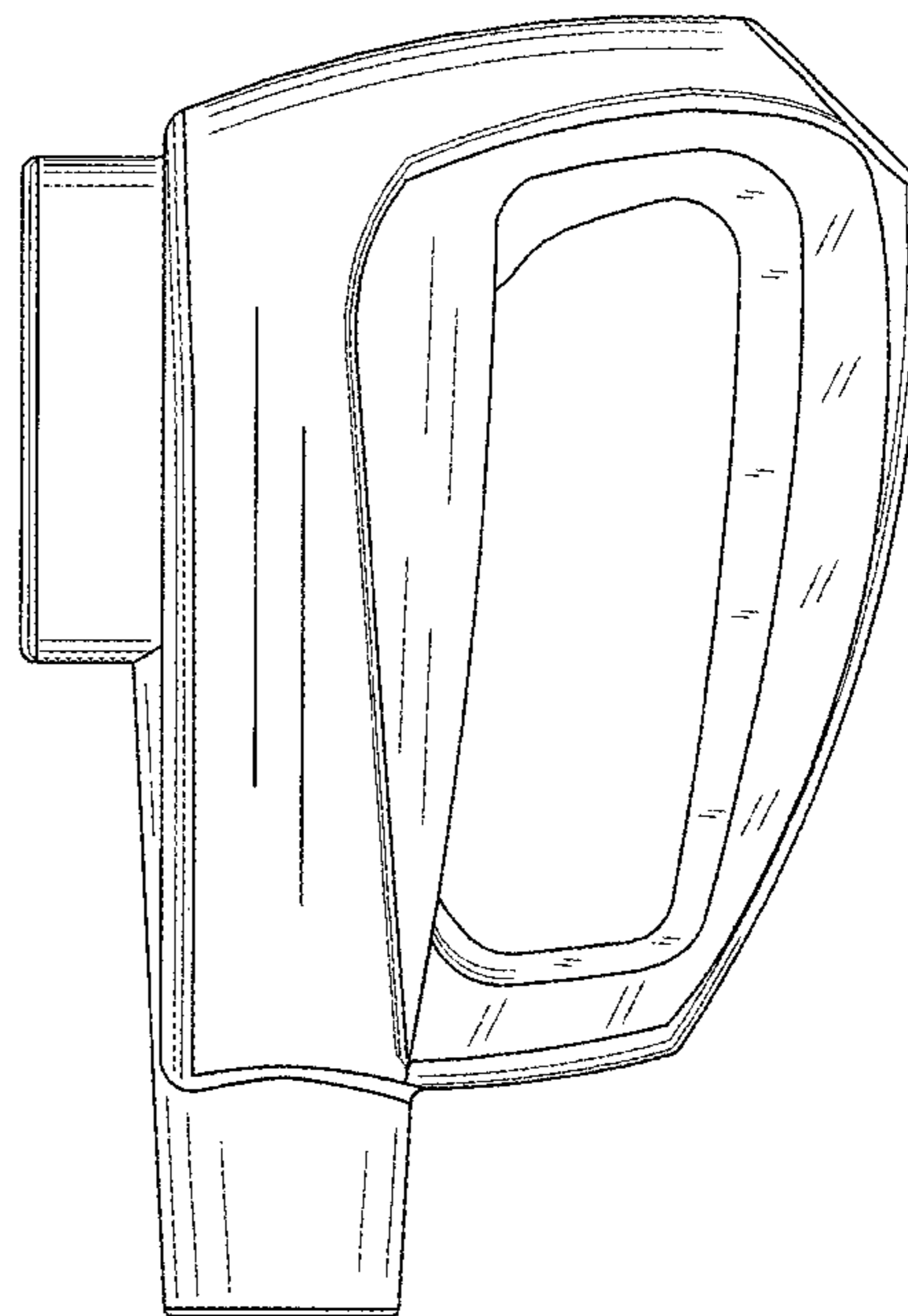
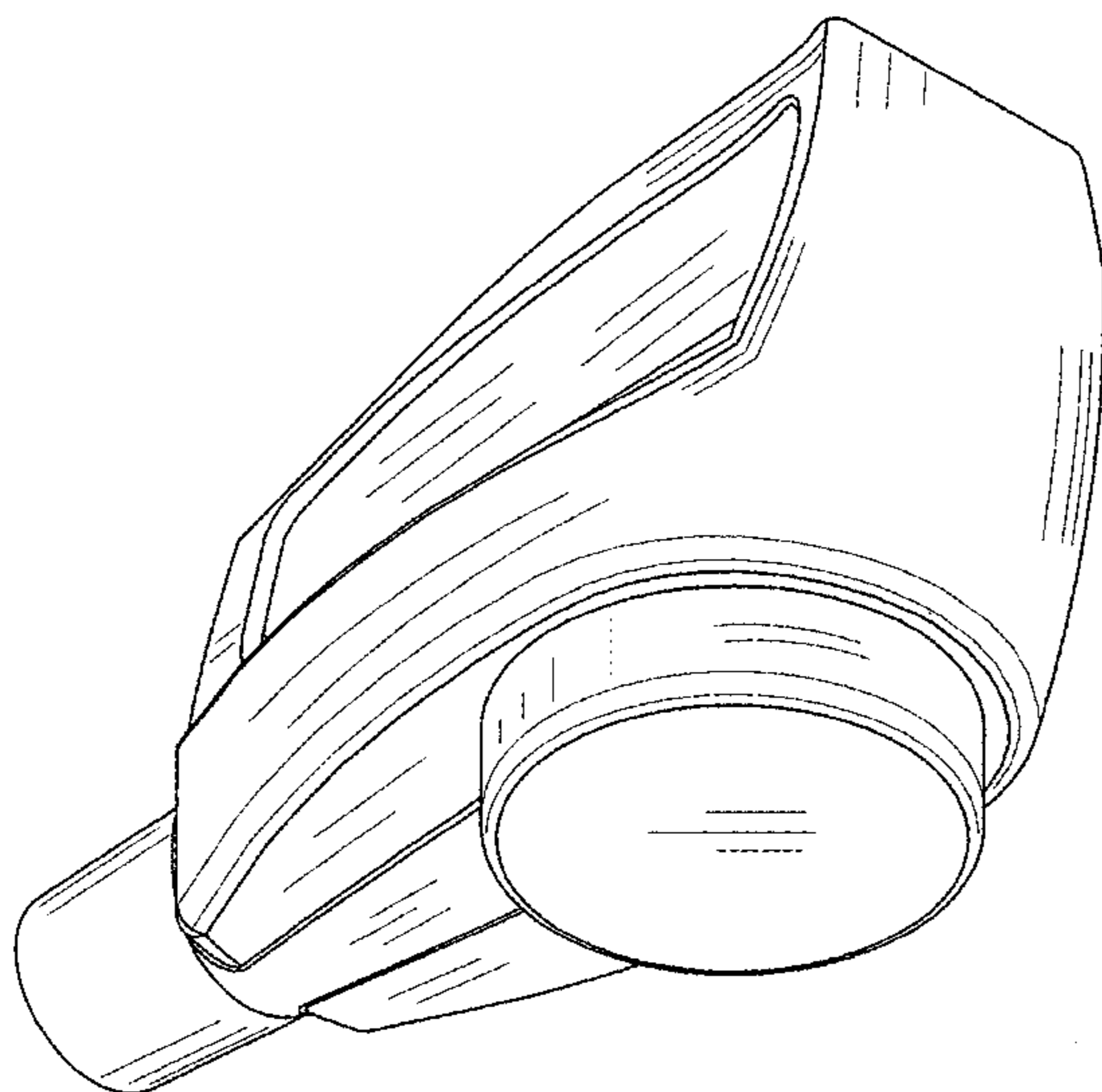
The ornamental design for an electrical cord head, as shown and described.

**DESCRIPTION**

FIG. 1 is a front, top, left side perspective view of a electrical cord head according to the invention;  
FIG. 2 is a front elevational view according to the invention;  
and,  
FIG. 3 is a back elevational view according to the invention;  
and,  
FIG. 4 is a right elevational view according to the invention, the left side elevational view being a mirror image thereof;  
FIG. 5 is a top plan view according to the invention; and,  
FIG. 6 is a bottom plan view according to the invention; and,  
FIG. 7 is a back, bottom, left perspective view of an electrical cord head, according to the invention.

The broken lines in the figure drawings is included to show unclaimed environment that form no part of the claimed design.

**1 Claim, 7 Drawing Sheets**



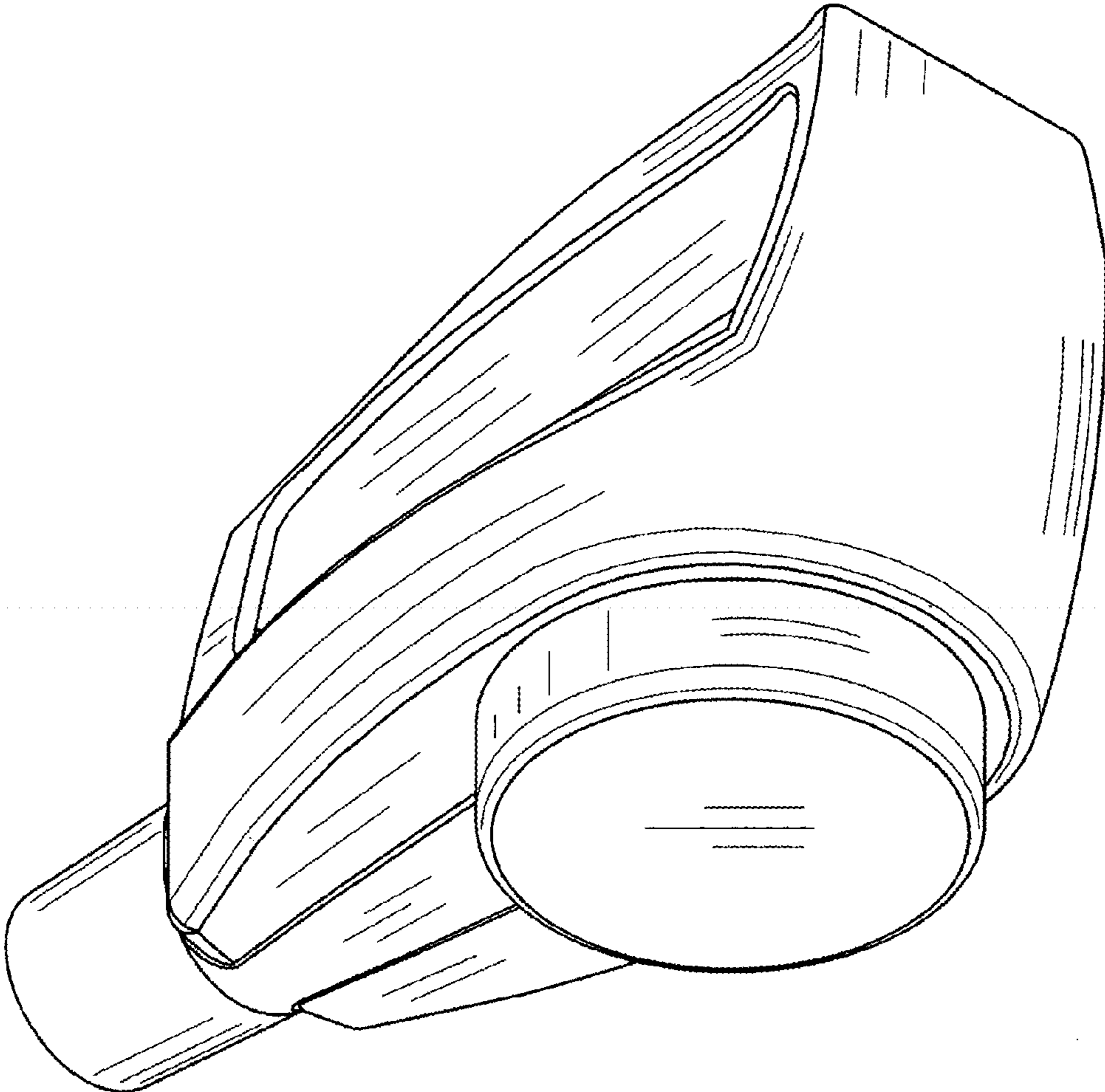


Fig. 1

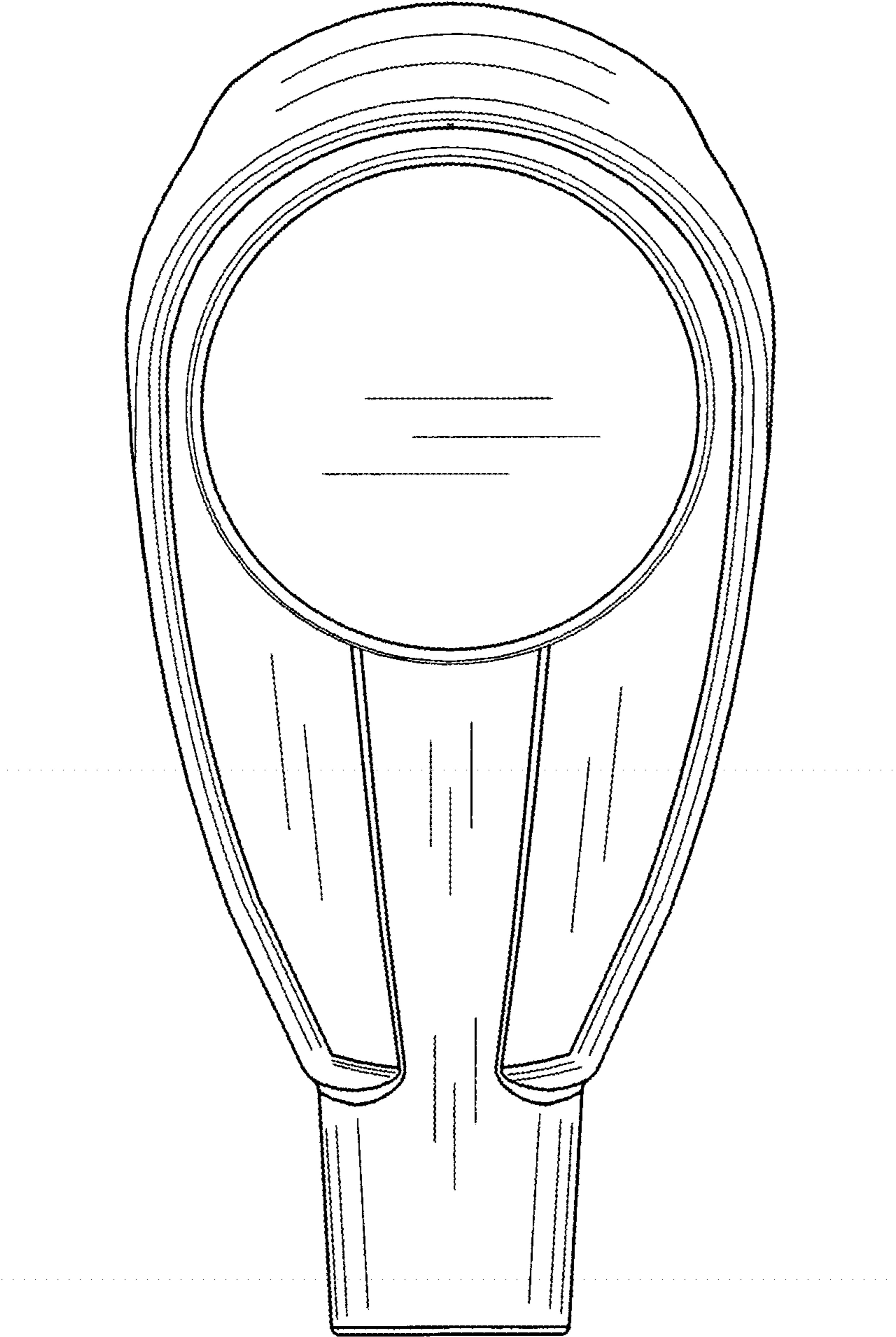


Fig. 2

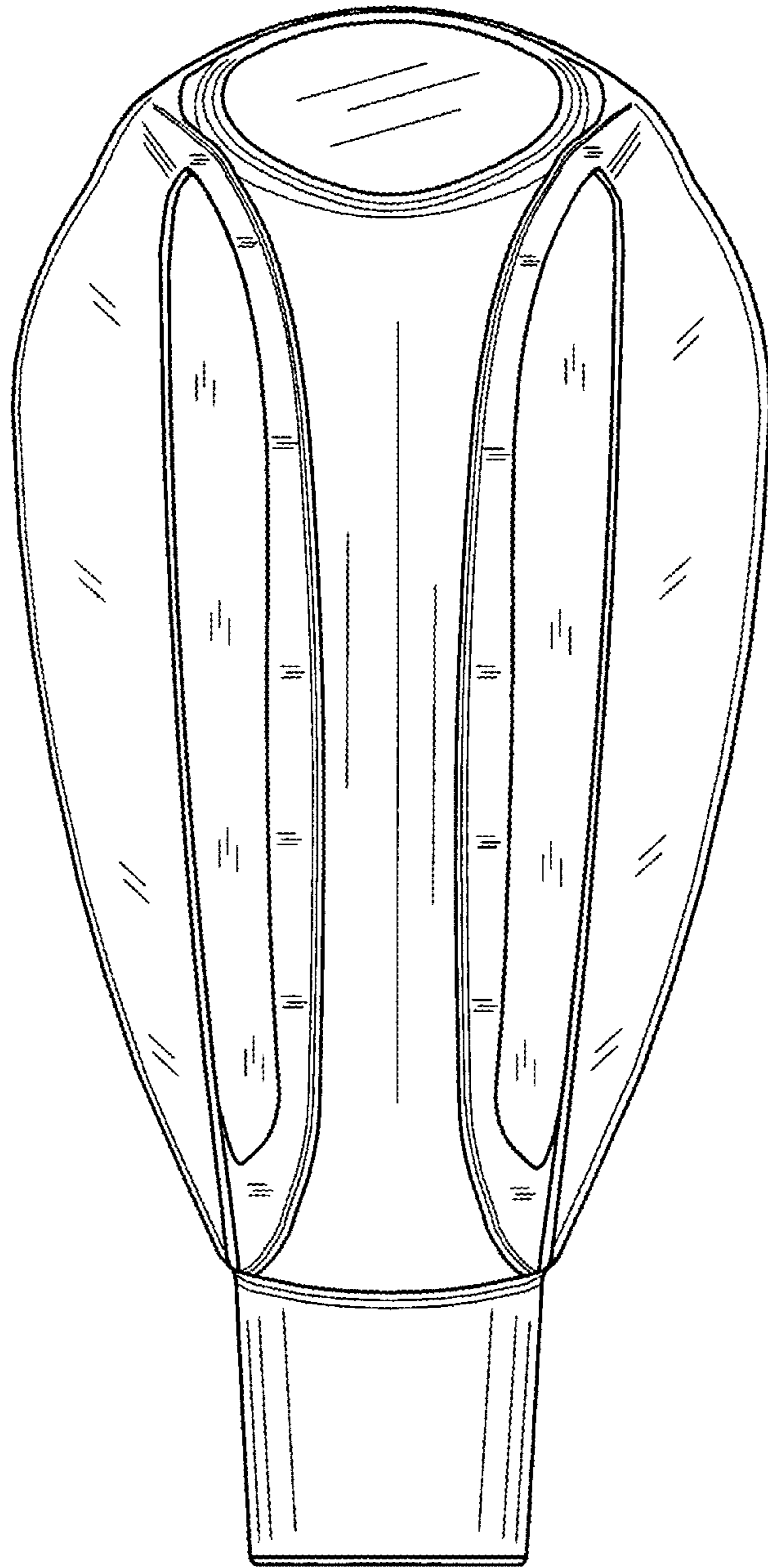


Fig. 3

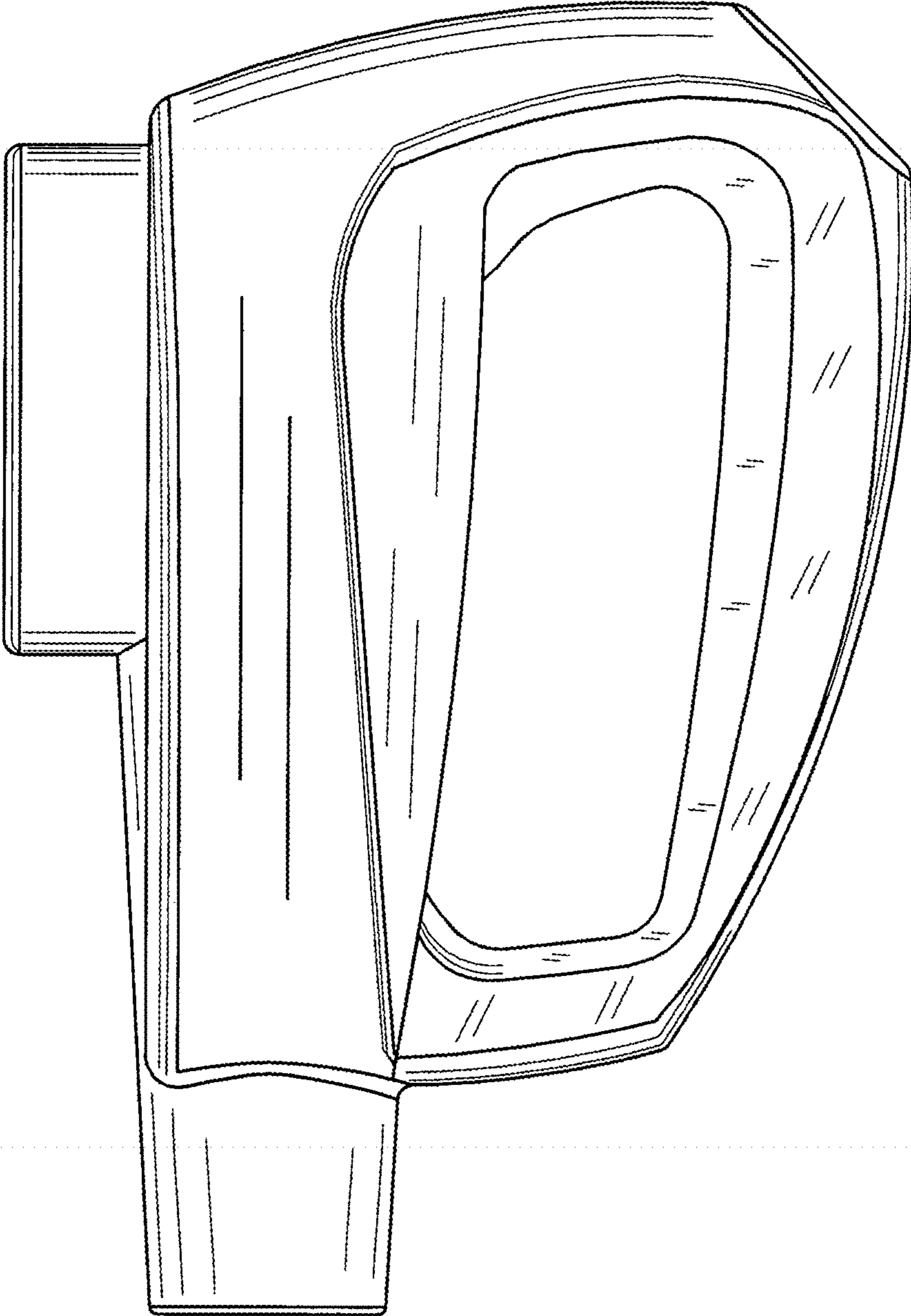


Fig. 4

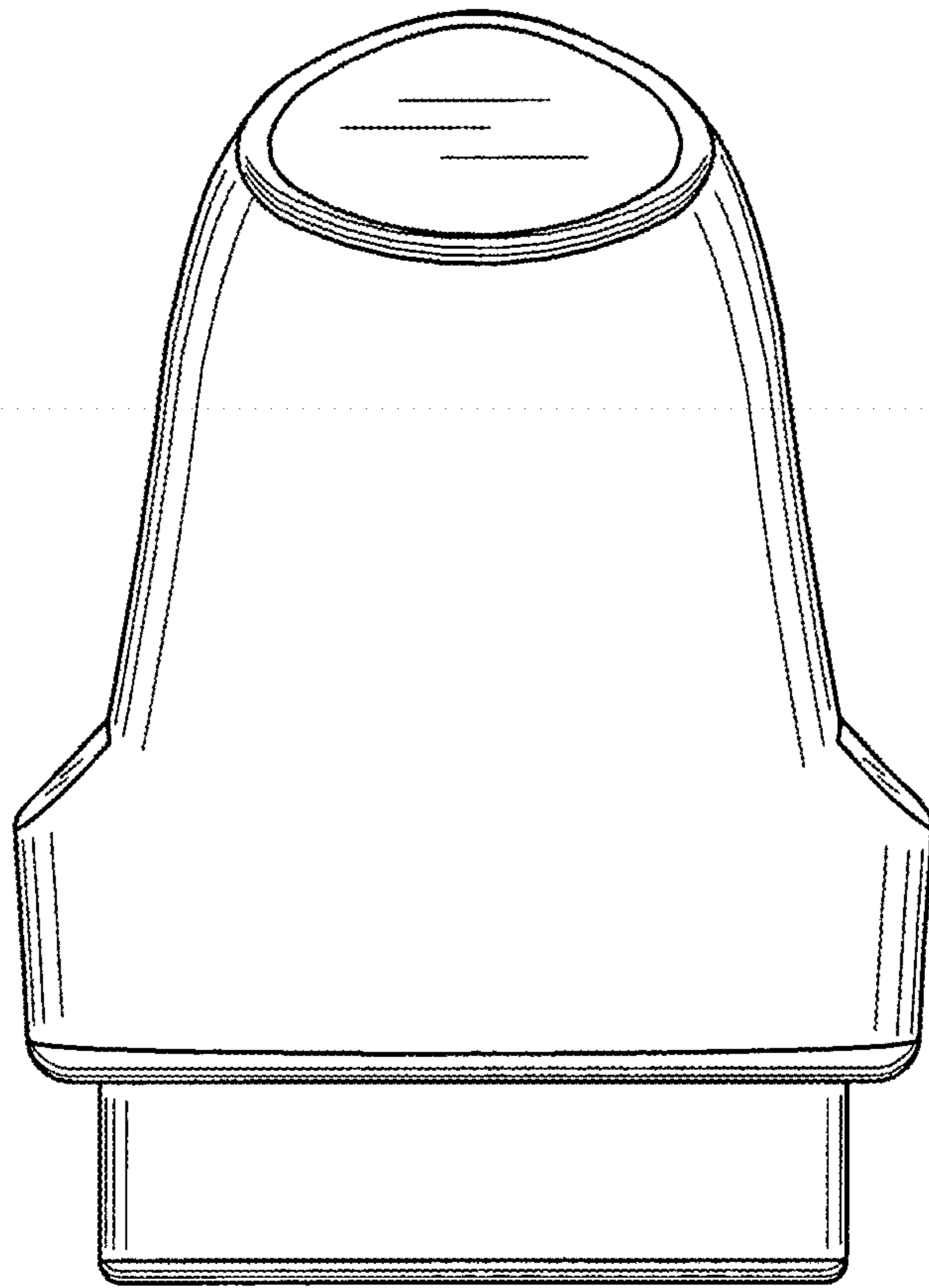


Fig. 5

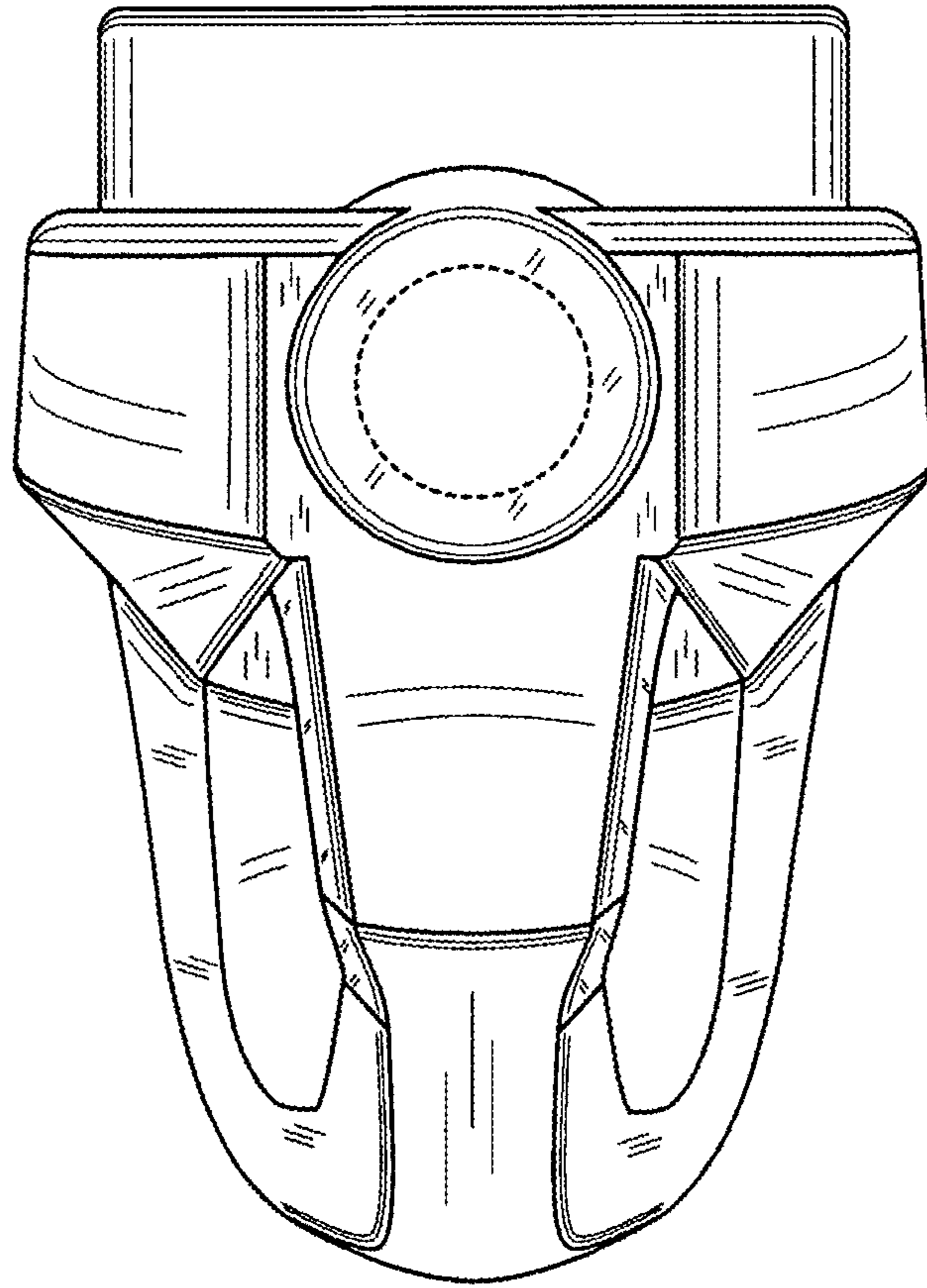


Fig. 6

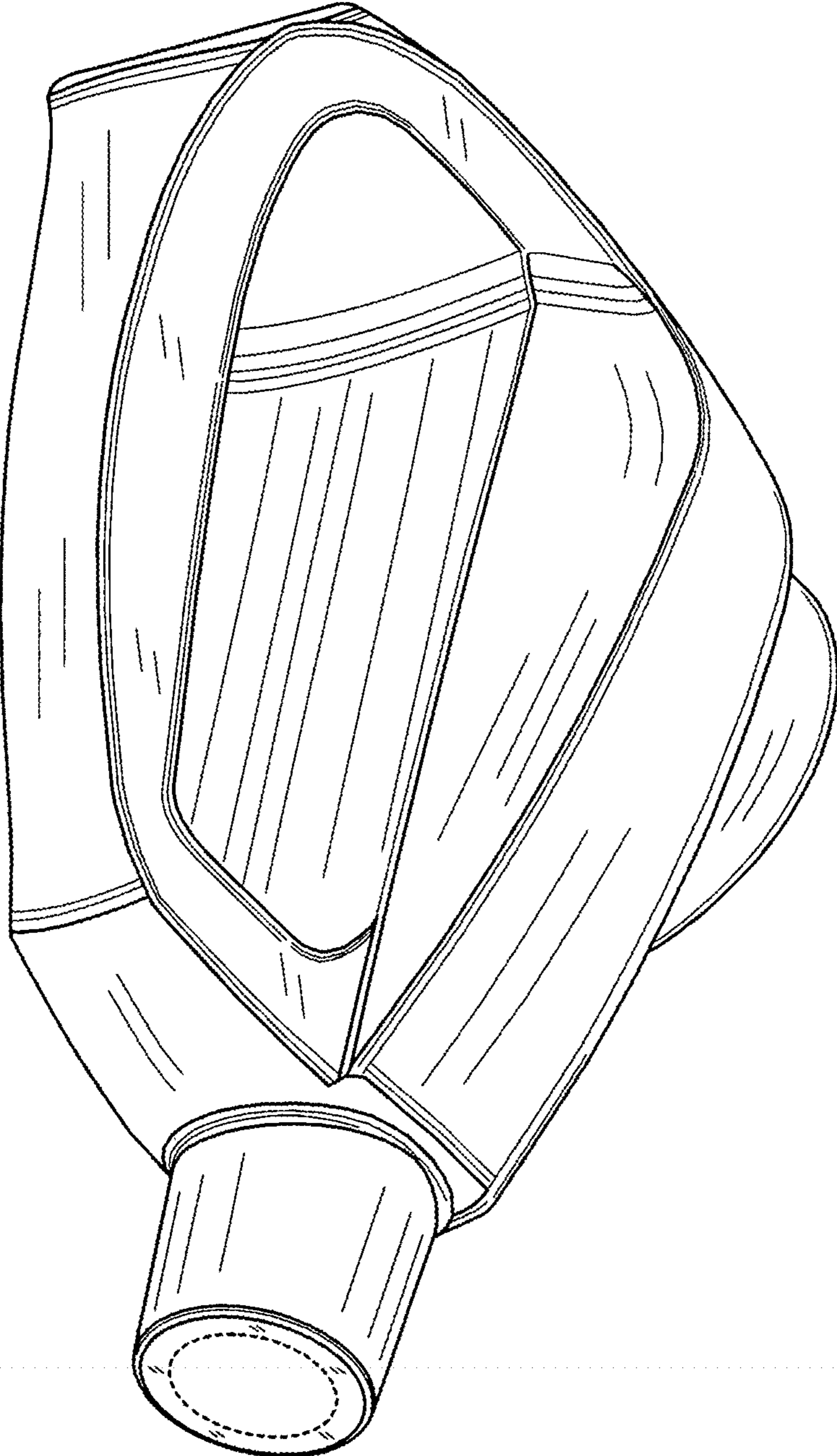


Fig. 7