



US00D753592S

(12) **United States Design Patent**  
**Takeda**

(10) **Patent No.:** **US D753,592 S**

(45) **Date of Patent:** **\*\* Apr. 12, 2016**

(54) **ELECTRIC CONNECTOR**

(71) Applicant: **SMK CORPORATION**, Tokyo (JP)

(72) Inventor: **Toshimitsu Takeda**, Toyama (JP)

(73) Assignee: **SMK CORPORATION**, Tokyo (JP)

(\*\*) Term: **14 Years**

(21) Appl. No.: **29/481,365**

(22) Filed: **Feb. 5, 2014**

(30) **Foreign Application Priority Data**

Aug. 6, 2013 (JP) ..... 2013-019232

(51) **LOC (10) Cl.** ..... **13-03**

(52) **U.S. Cl.**  
USPC ..... **D13/133**

(58) **Field of Classification Search**  
USPC ..... D13/110, 123, 133, 146, 147, 154, 158,  
D13/171, 180, 184, 199; D8/394; D26/1  
CPC .... H01R 13/52; H01R 13/7175; H01R 33/02;  
H01R 33/08; H01R 33/09; H01R 33/06;  
H01R 24/00  
See application file for complete search history.

(56) **References Cited**

**U.S. PATENT DOCUMENTS**

D505,921 S	*	6/2005	Ma	.....	D13/149
D534,503 S	*	1/2007	Jung et al.	.....	D13/180
D568,256 S	*	5/2008	Asada	.....	D13/158
D612,816 S	*	3/2010	Asada	.....	D13/174
D639,749 S	*	6/2011	Asada	.....	D13/158
D643,821 S	*	8/2011	Yun	.....	D13/180
D681,437 S	*	5/2013	Wall et al.	.....	D8/394
D688,636 S	*	8/2013	Oishi et al.	.....	D13/171
D694,204 S	*	11/2013	Meyer	.....	D13/180
D728,129 S	*	4/2015	Kreuzbichler	.....	D26/1

2012/0294017	A1*	11/2012	Nagasaki et al.	.....	362/382
2013/0171858	A1*	7/2013	Sauer et al.	.....	439/345
2014/0179139	A1*	6/2014	Tanaka et al.	.....	439/226

**FOREIGN PATENT DOCUMENTS**

JP	1492838	*	3/2014
JP	1492839	*	3/2014
JP	1493429	*	3/2014

**OTHER PUBLICATIONS**

SMK LED COB, dated Apr. 2013, [online], [site visited Aug. 13, 2015]. Available from Internet, <URL: [http://www.smk.co.jp/news/press\\_release/2013/1000cs/?version=en](http://www.smk.co.jp/news/press_release/2013/1000cs/?version=en)>.\*

\* cited by examiner

*Primary Examiner* — Thomas Johannes

*Assistant Examiner* — Shawn T Gingrich

(74) *Attorney, Agent, or Firm* — Sughrue Mion, PLLC

(57) **CLAIM**

The ornamental design for an electric connector, as shown and described.

**DESCRIPTION**

FIG. 1 is a perspective view of the front, bottom and right side of an electric connector showing my new design;  
FIG. 2 is a perspective view of the rear, bottom and right side thereof;  
FIG. 3 is a front view thereof;  
FIG. 4 is a rear view thereof;  
FIG. 5 is a left side view thereof;  
FIG. 6 is a right side view thereof;  
FIG. 7 is a top plan view thereof; and,  
FIG. 8 is a bottom view thereof.

The broken line portion of the figure drawings is included to show unclaimed subject matter only and forms no part of the claimed design.

**1 Claim, 6 Drawing Sheets**

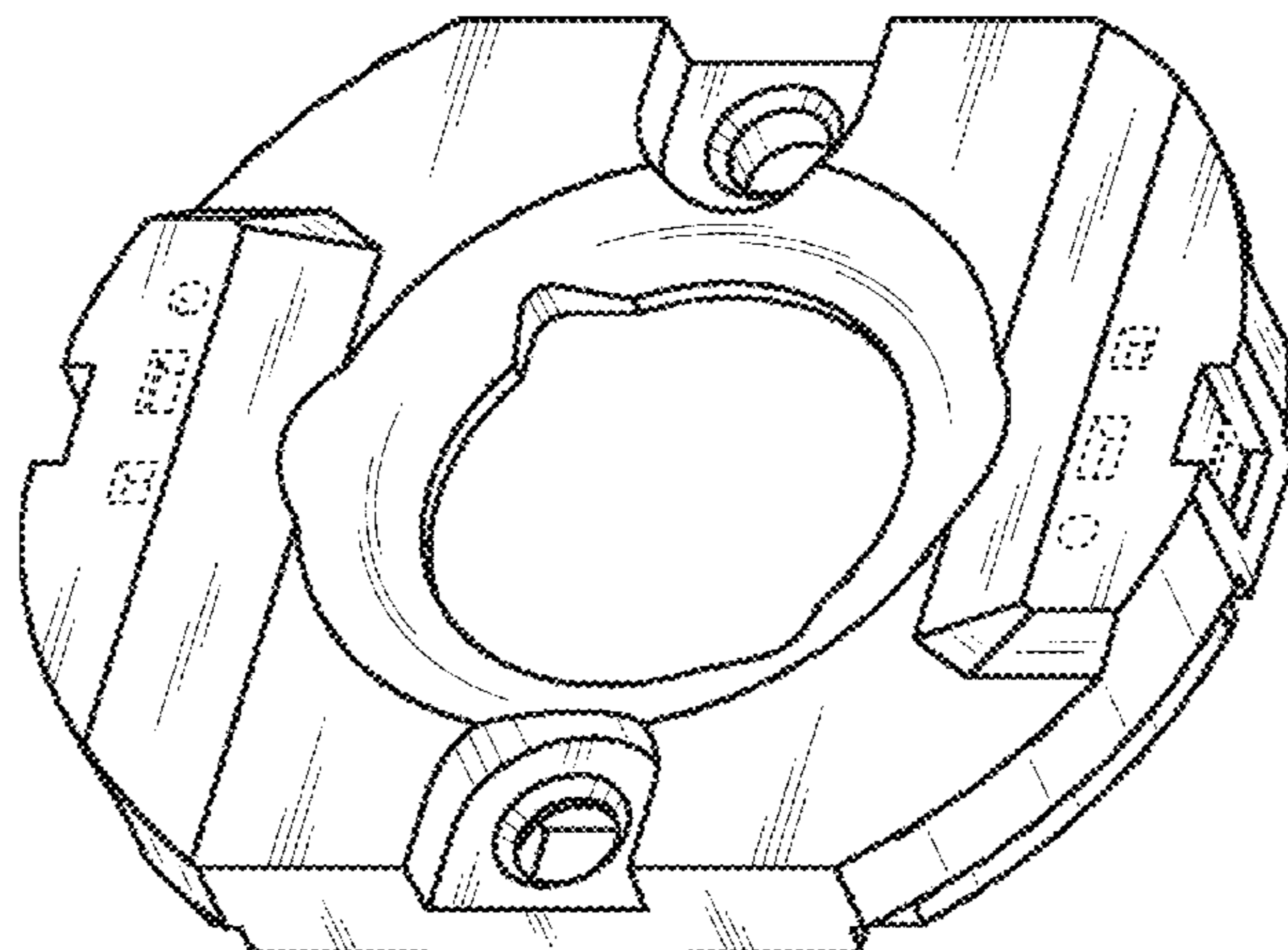


Fig. 1

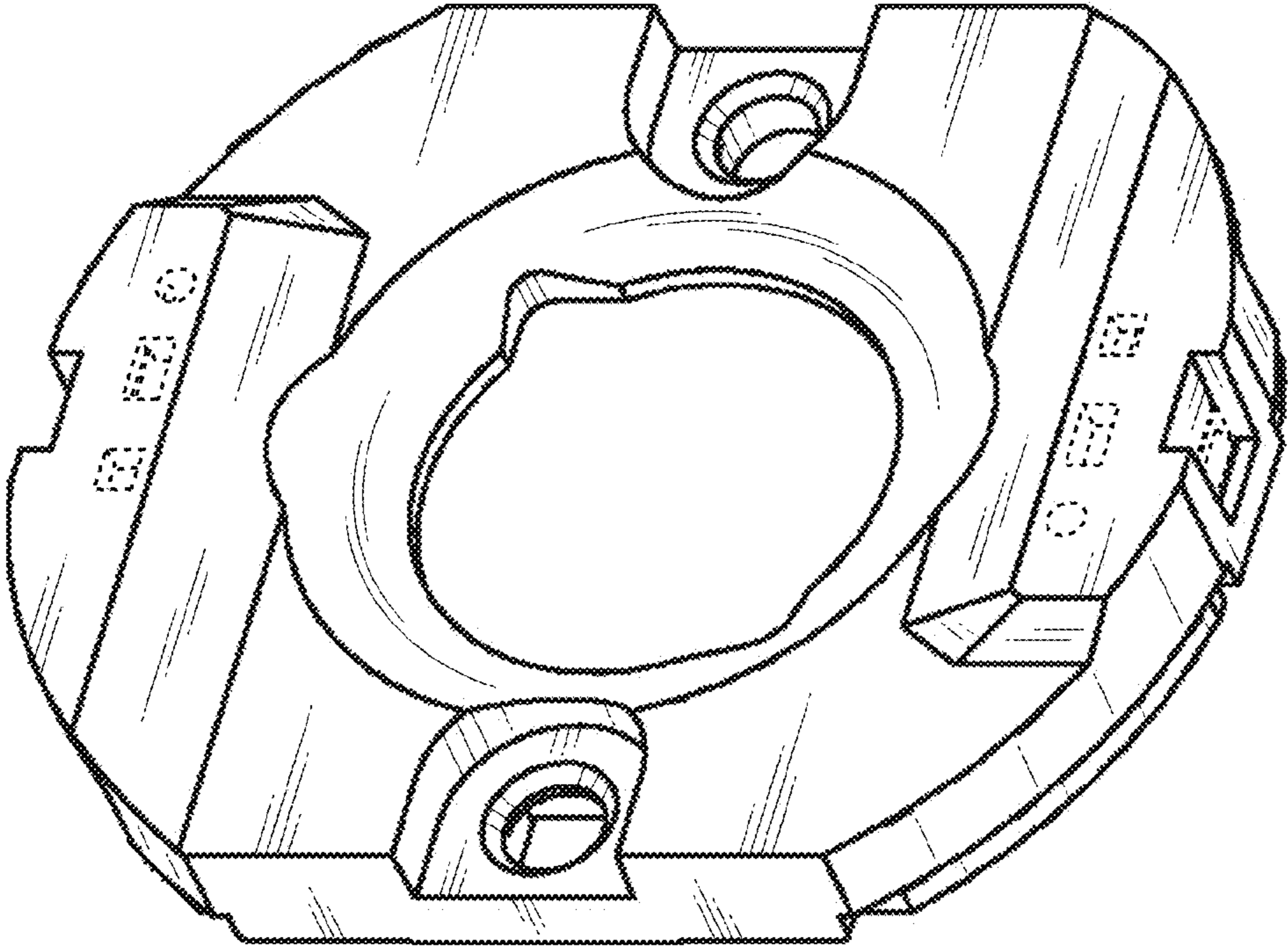


Fig. 2

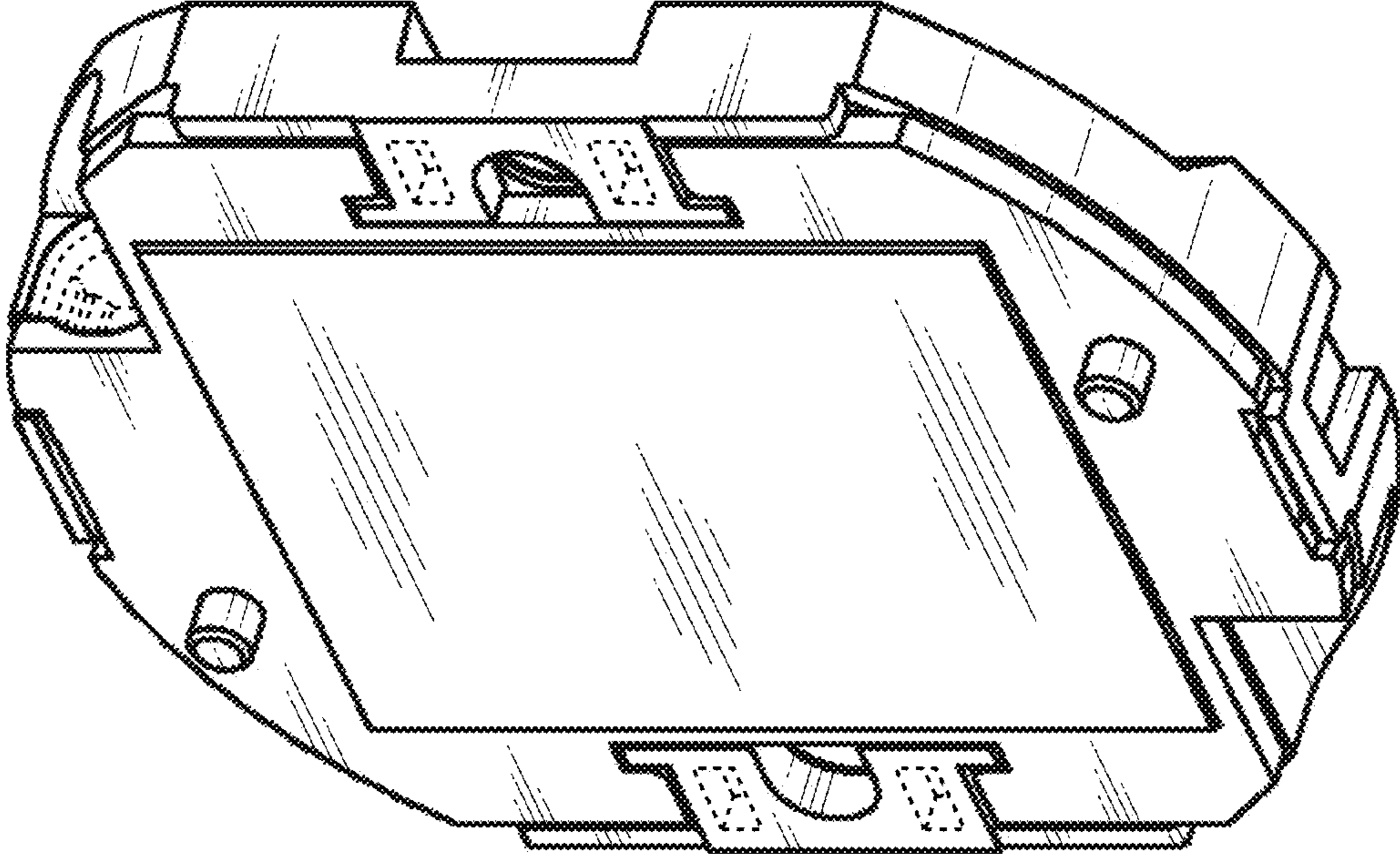


Fig. 3

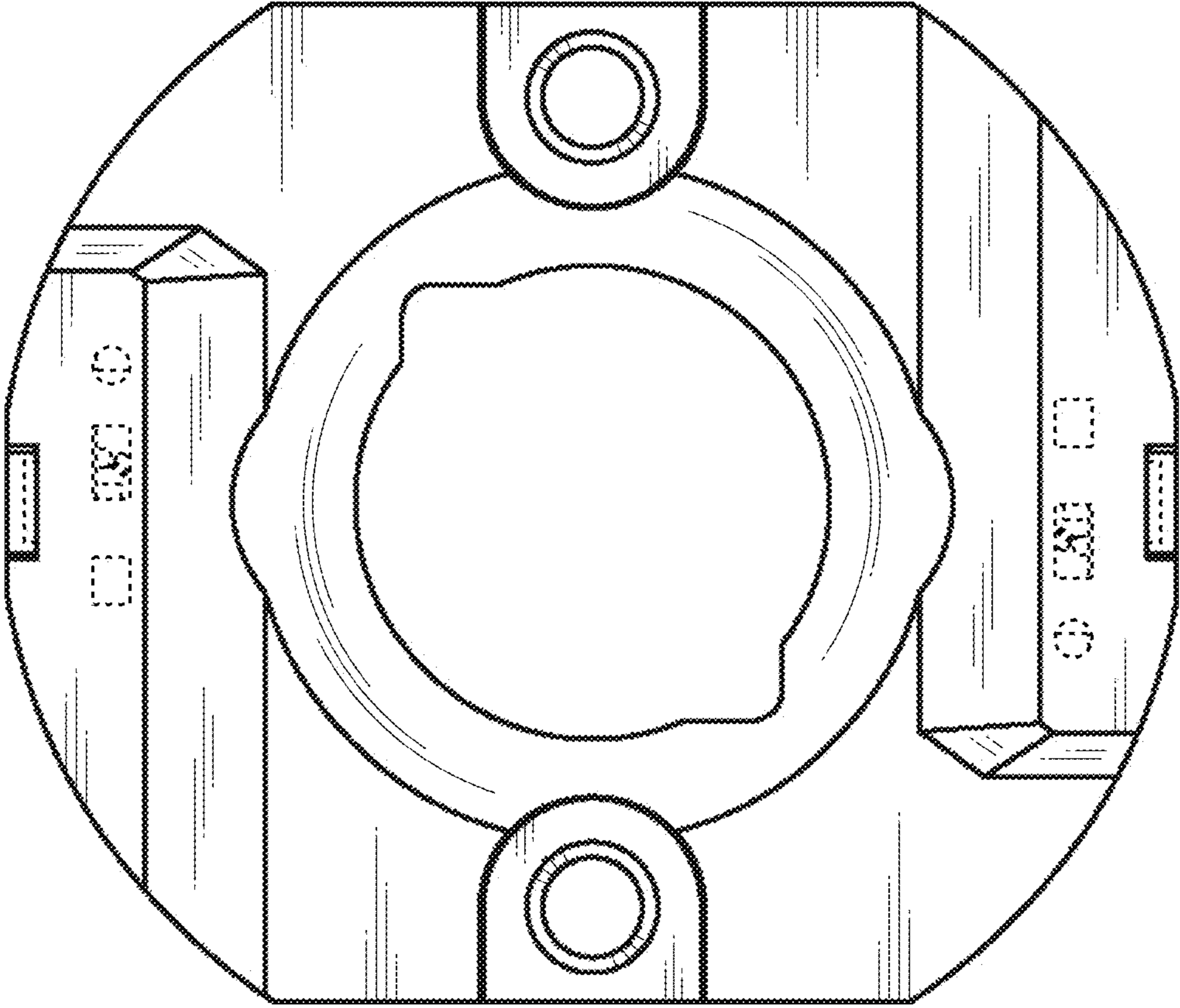


Fig. 4

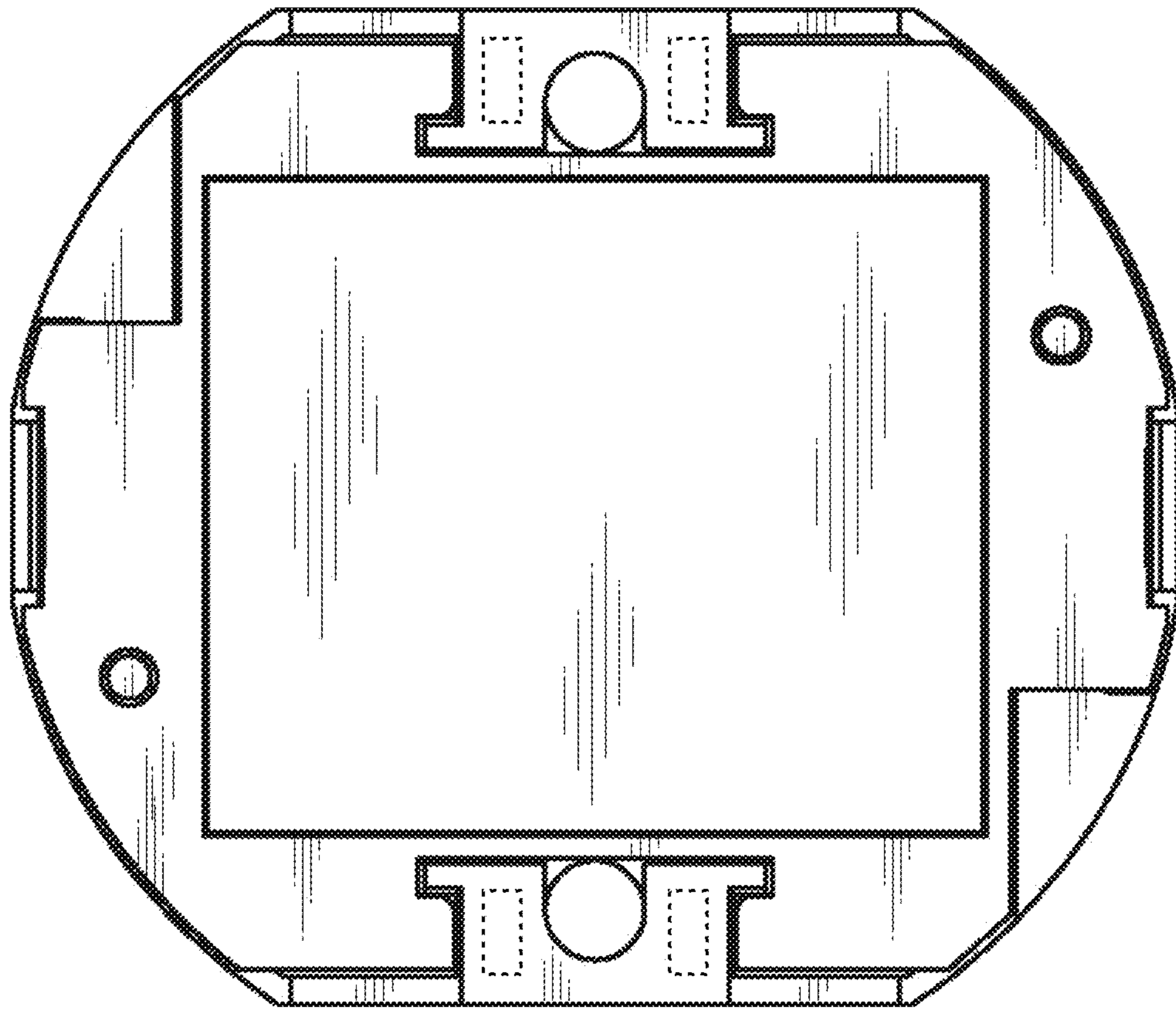


Fig. 5

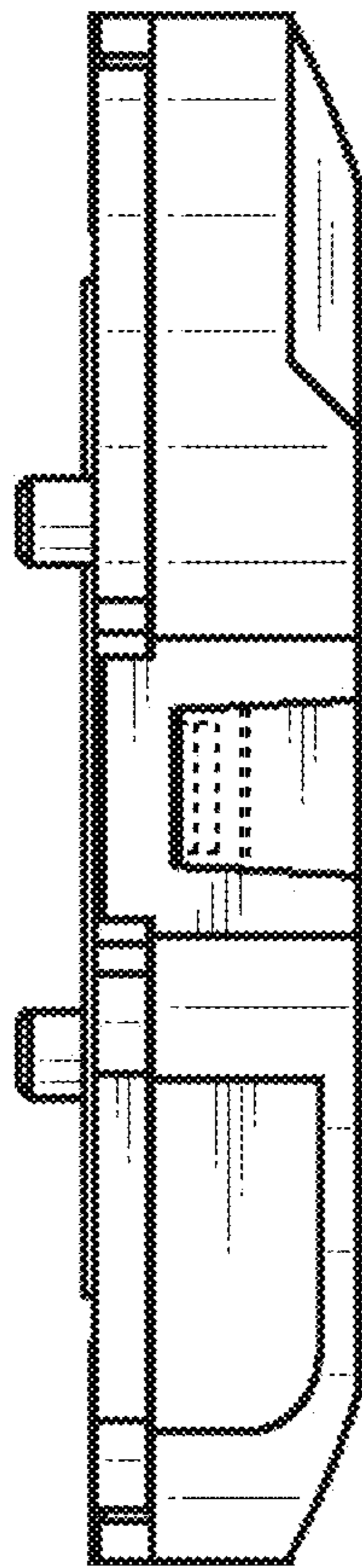


Fig. 6

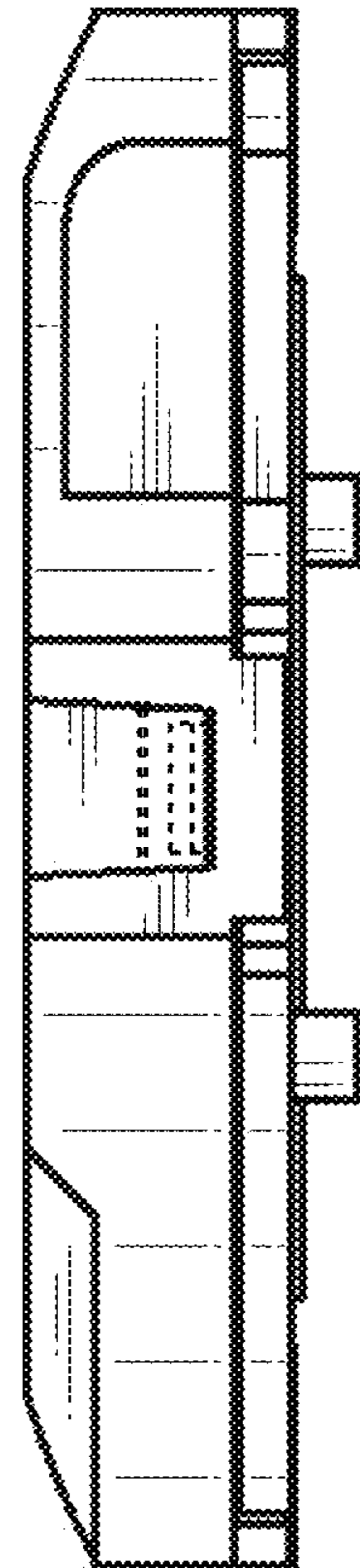


Fig. 7

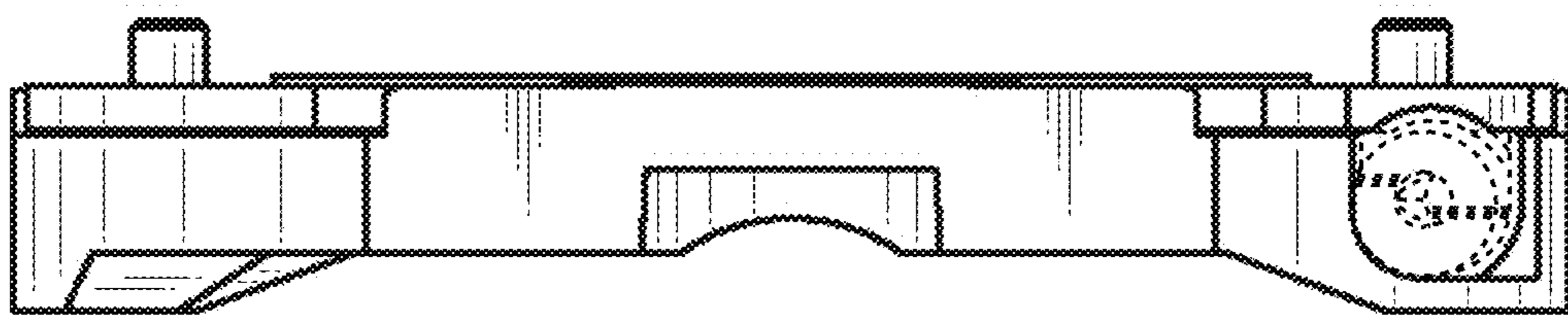


Fig. 8

