



US00D753591S

(12) **United States Design Patent**
Noda et al.

(10) **Patent No.:** **US D753,591 S**
(45) **Date of Patent:** **** Apr. 12, 2016**

(54) MOTOR	4,673,837 A * 6/1987 Gingerich H02K 5/148 29/597
(71) Applicant: Panasonic Intellectual Property Management Co., Ltd., Osaka (JP)	D424,516 S * 5/2000 Friedrichsen D13/112 6,118,197 A * 9/2000 Bohlen H02K 5/10 29/596
(72) Inventors: Hidetaka Noda, Osaka (JP); Takehiko Hasegawa, Osaka (JP); Akira Matsuo, Osaka (JP)	D551,167 S * 9/2007 Kubota D13/112 D589,879 S * 4/2009 Yokota D13/112 D603,793 S * 11/2009 Lindberg D13/112 D680,071 S * 4/2013 Tanabe D13/112 D709,450 S * 7/2014 Tanabe D13/112

(73) Assignee: **Panasonic Intellectual Property Management Co., Ltd., Osaka (JP)**

(**) Term: **14 Years**

(21) Appl. No.: **29/516,057**

(22) Filed: **Jan. 29, 2015**

(30) **Foreign Application Priority Data**

Dec. 17, 2014 (CN) 2014 3 0532393

(51) **LOC (10) Cl.** **13-01**

(52) **U.S. Cl.**
USPC **D13/112**

(58) **Field of Classification Search**
USPC D13/112, 113, 114, 122, 199; D15/3, 5, D15/199; 74/606 R, 609; 310/10, 40 R, 42, 310/51, 58, 71, 80, 83, 85, 89, 91, 109, 236, 310/239, 254; 318/245, 255
CPC H02K 5/04; H02K 5/10; H02K 5/22; H02K 5/148; H02K 29/14; H02P 6/06; F28F 1/20
See application file for complete search history.

(56) **References Cited**

U.S. PATENT DOCUMENTS

4,093,897 A *	6/1978	Fujita	H02P 6/06 310/268
4,244,098 A *	1/1981	Barcus	F28F 1/20 165/183

FOREIGN PATENT DOCUMENTS

CN	300803772	7/2008
CN	302680283	12/2013
JP	D1203464	4/2004
JP	D1234404	3/2005
JP	D1501611	6/2014

* cited by examiner

Primary Examiner — Derrick Holland

(74) *Attorney, Agent, or Firm* — Panasonic Patent Center

(57) **CLAIM**

We claim the ornamental design for a motor, as shown and described.

DESCRIPTION

FIG. 1 is a front perspective view of a motor of the present invention;
FIG. 2 is a rear perspective view thereof;
FIG. 3 is a front view thereof;
FIG. 4 is a rear view thereof;
FIG. 5 is a left side view thereof;
FIG. 6 is a right side view thereof;
FIG. 7 is a top view thereof; and,
FIG. 8 is a bottom view thereof.

1 Claim, 8 Drawing Sheets

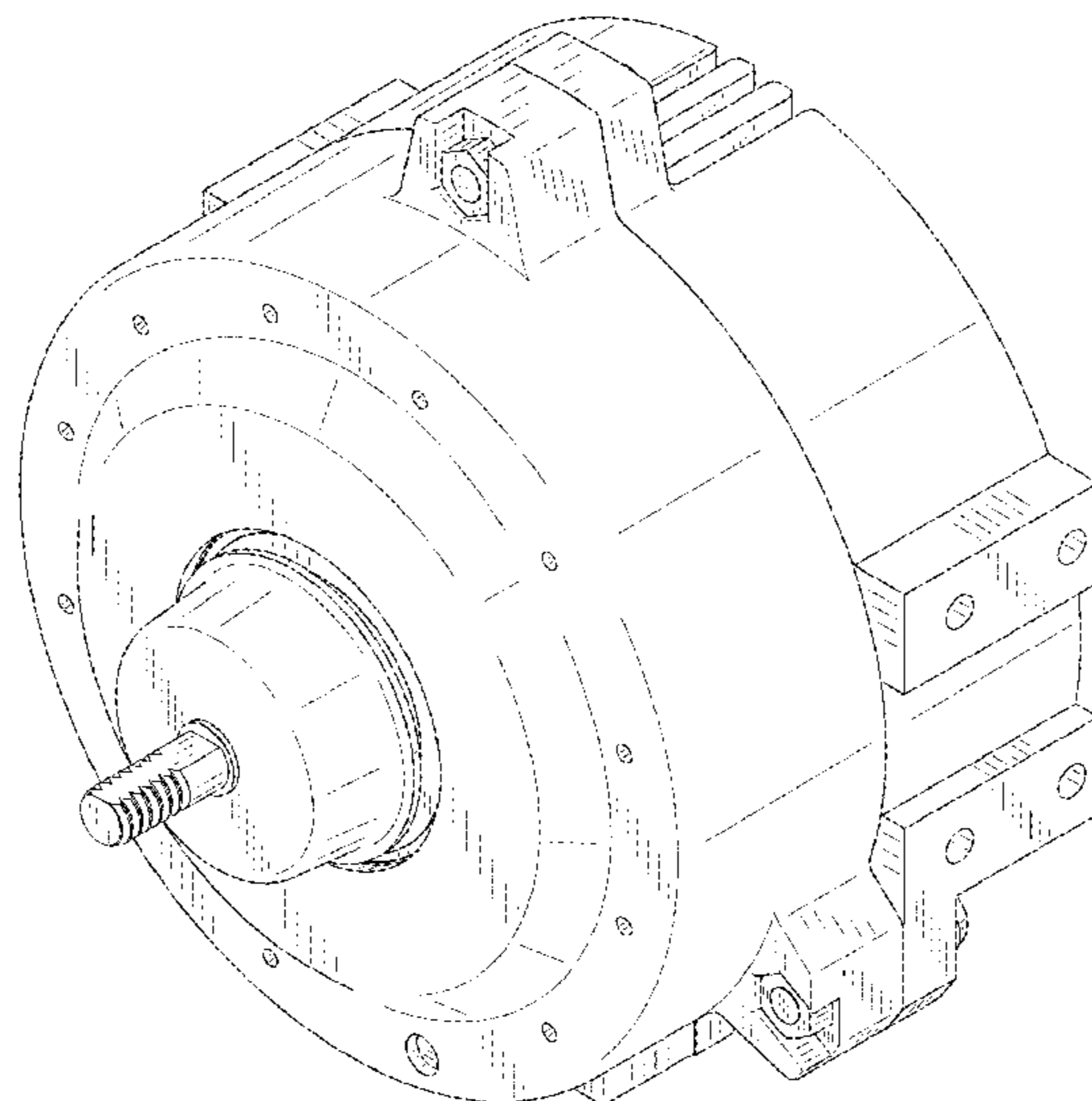


FIG. 1

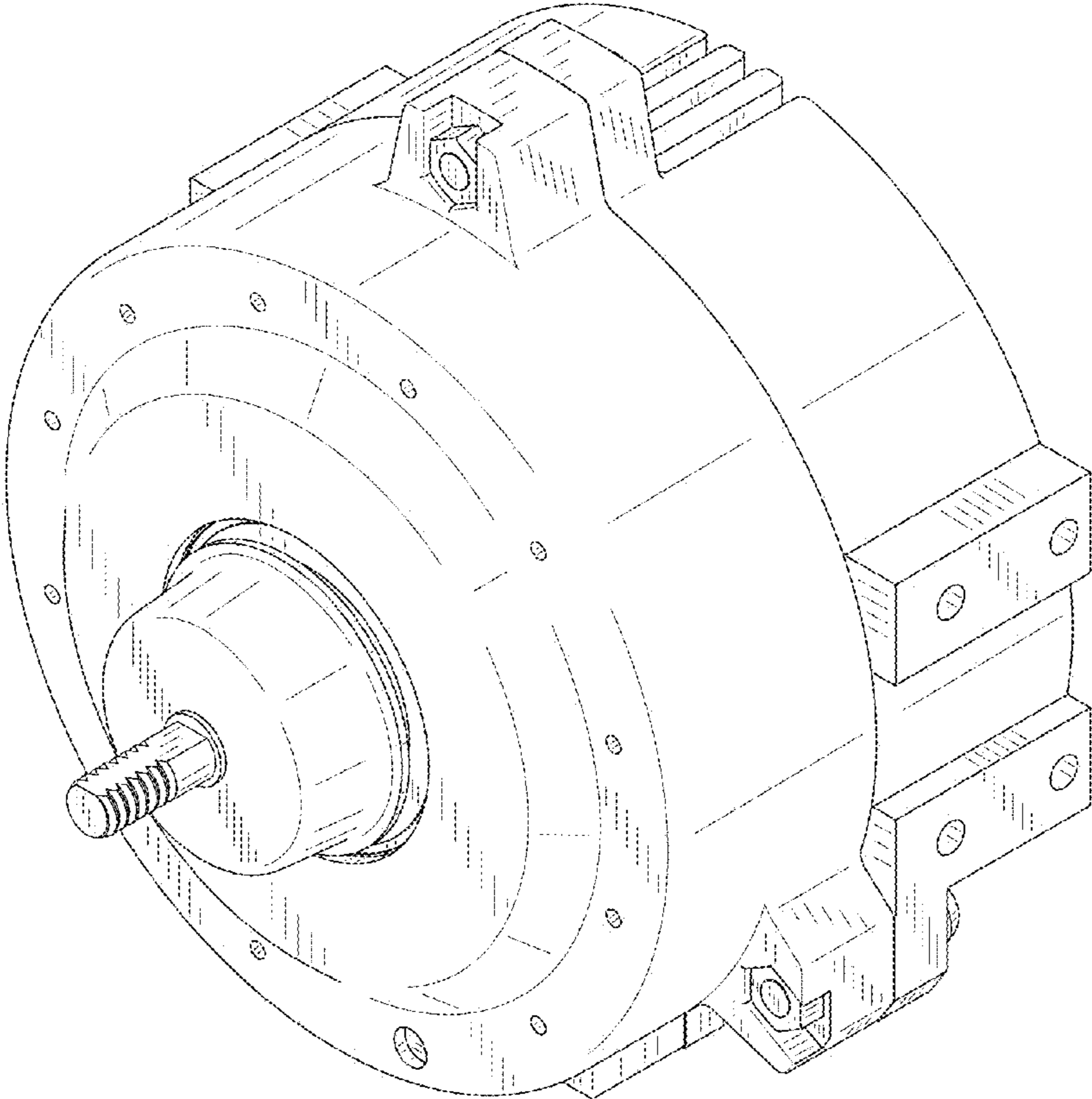


FIG. 2

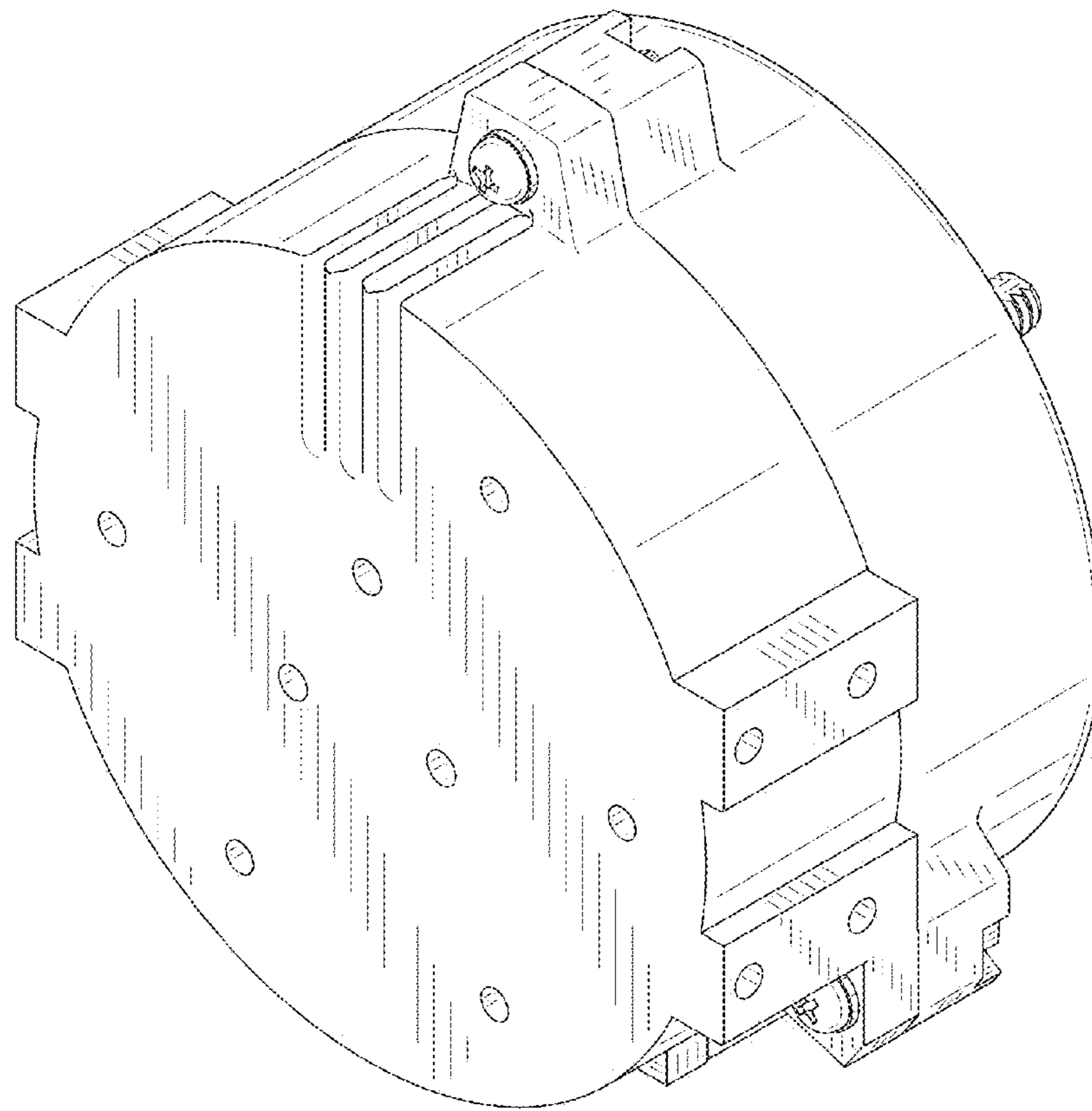


FIG. 3

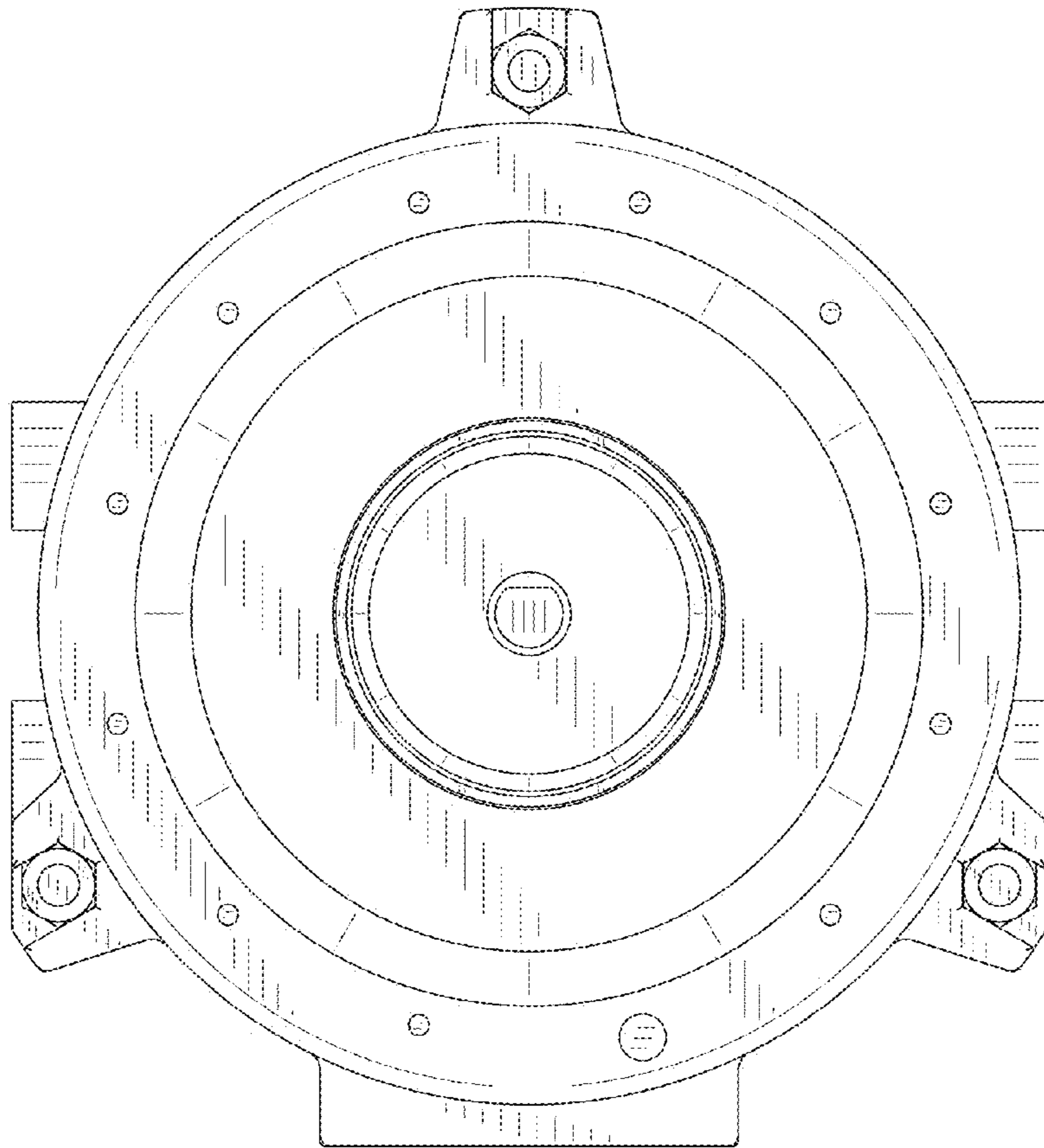


FIG. 4

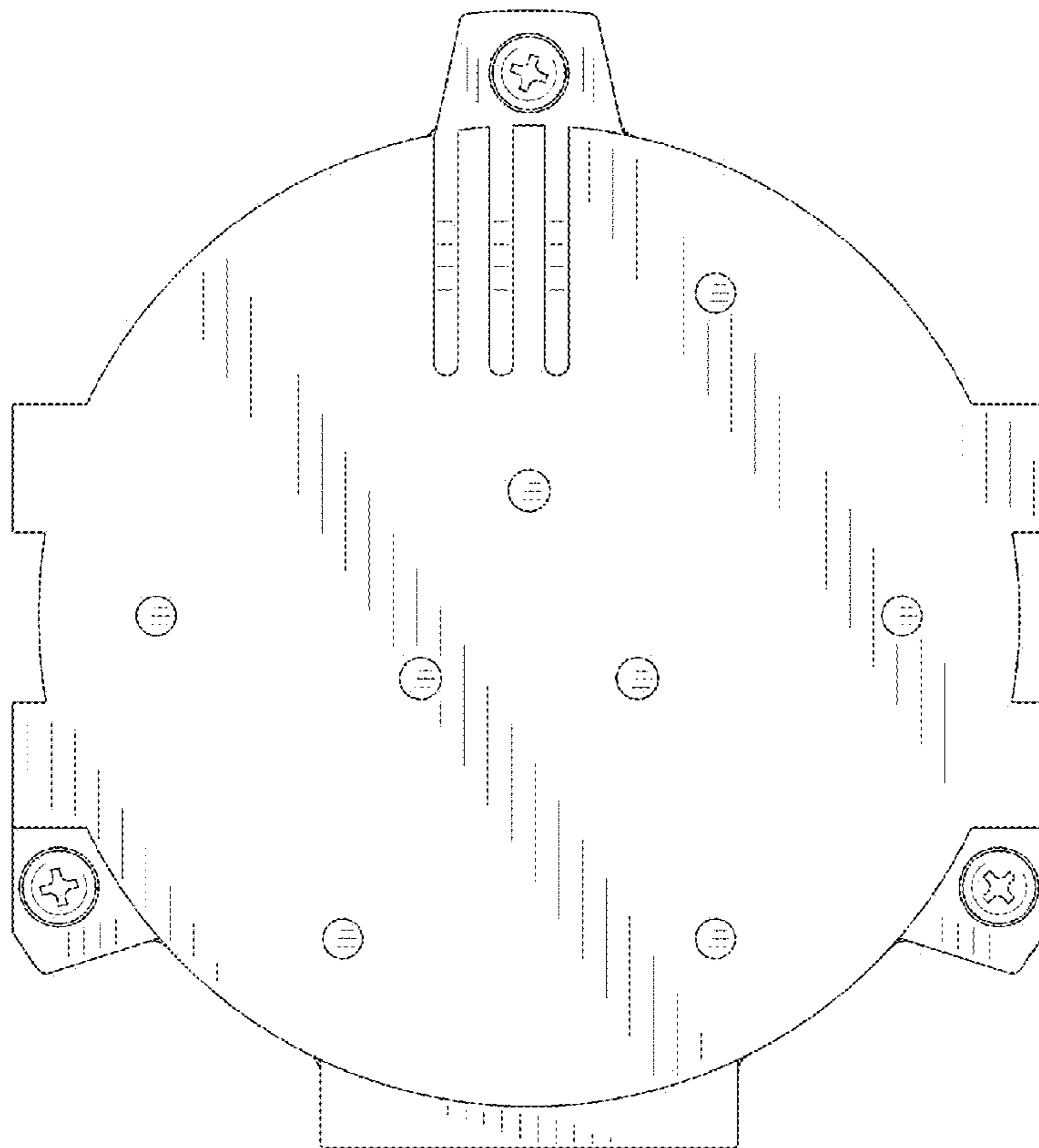


FIG. 5

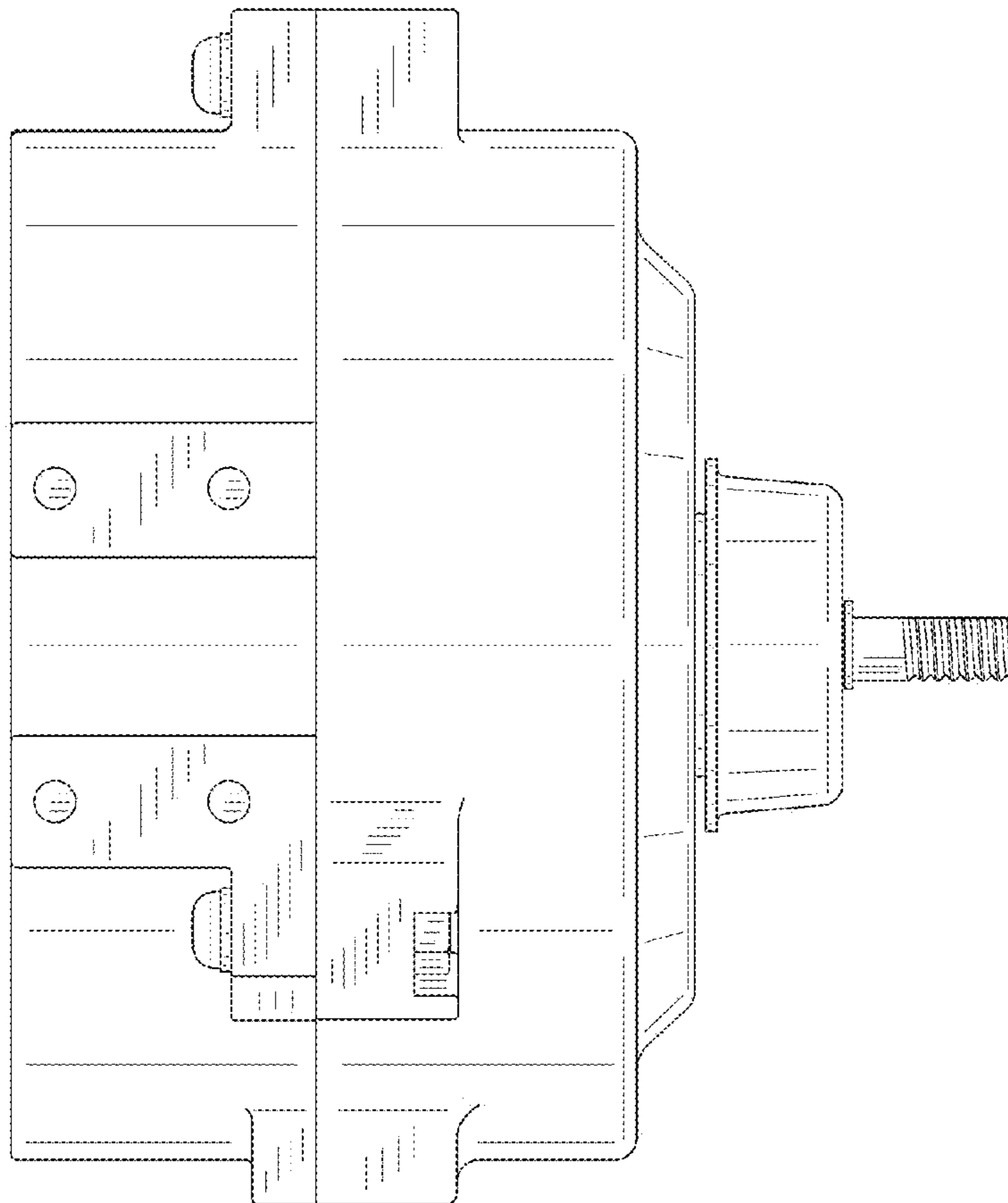


FIG. 6

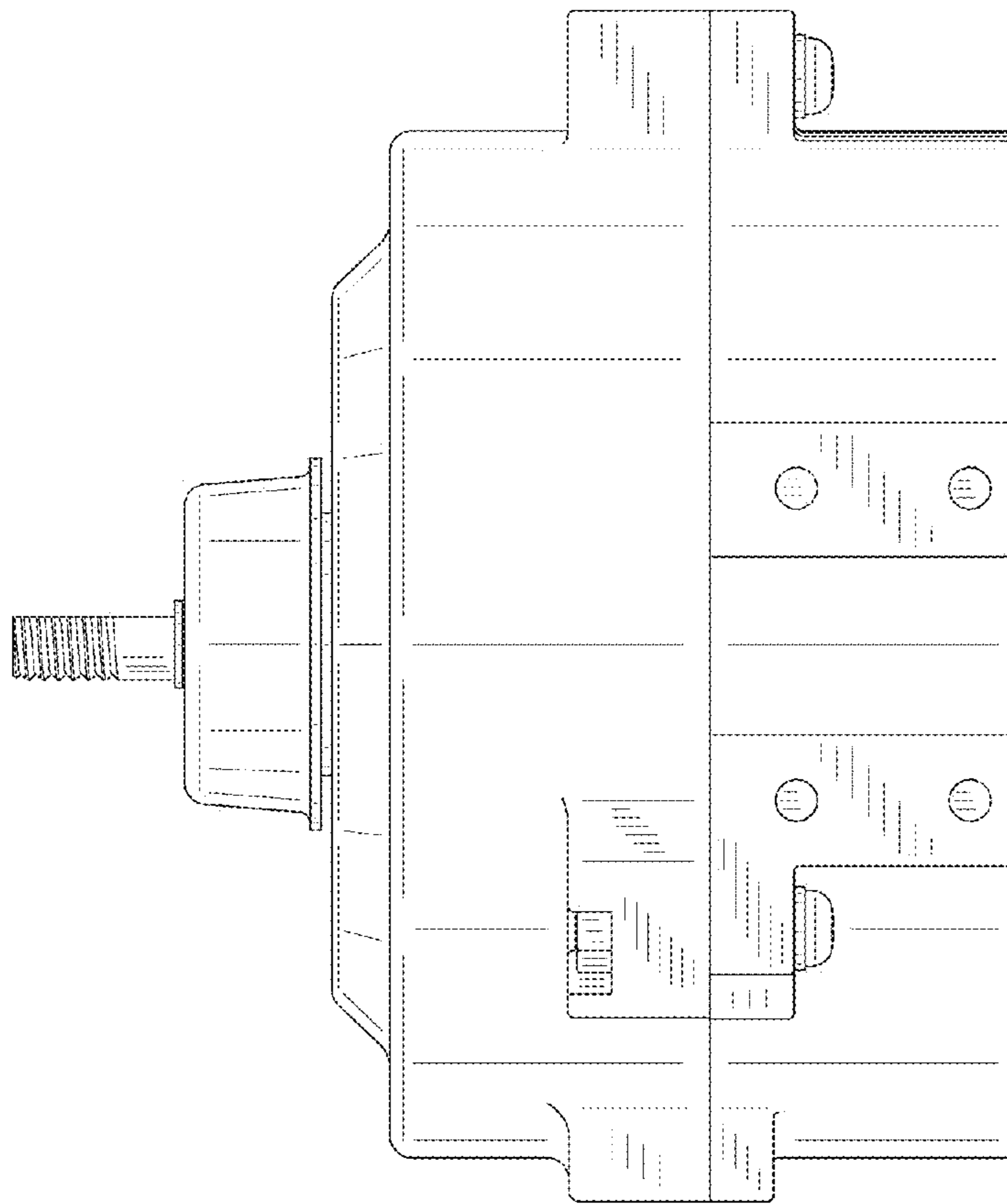


FIG. 7

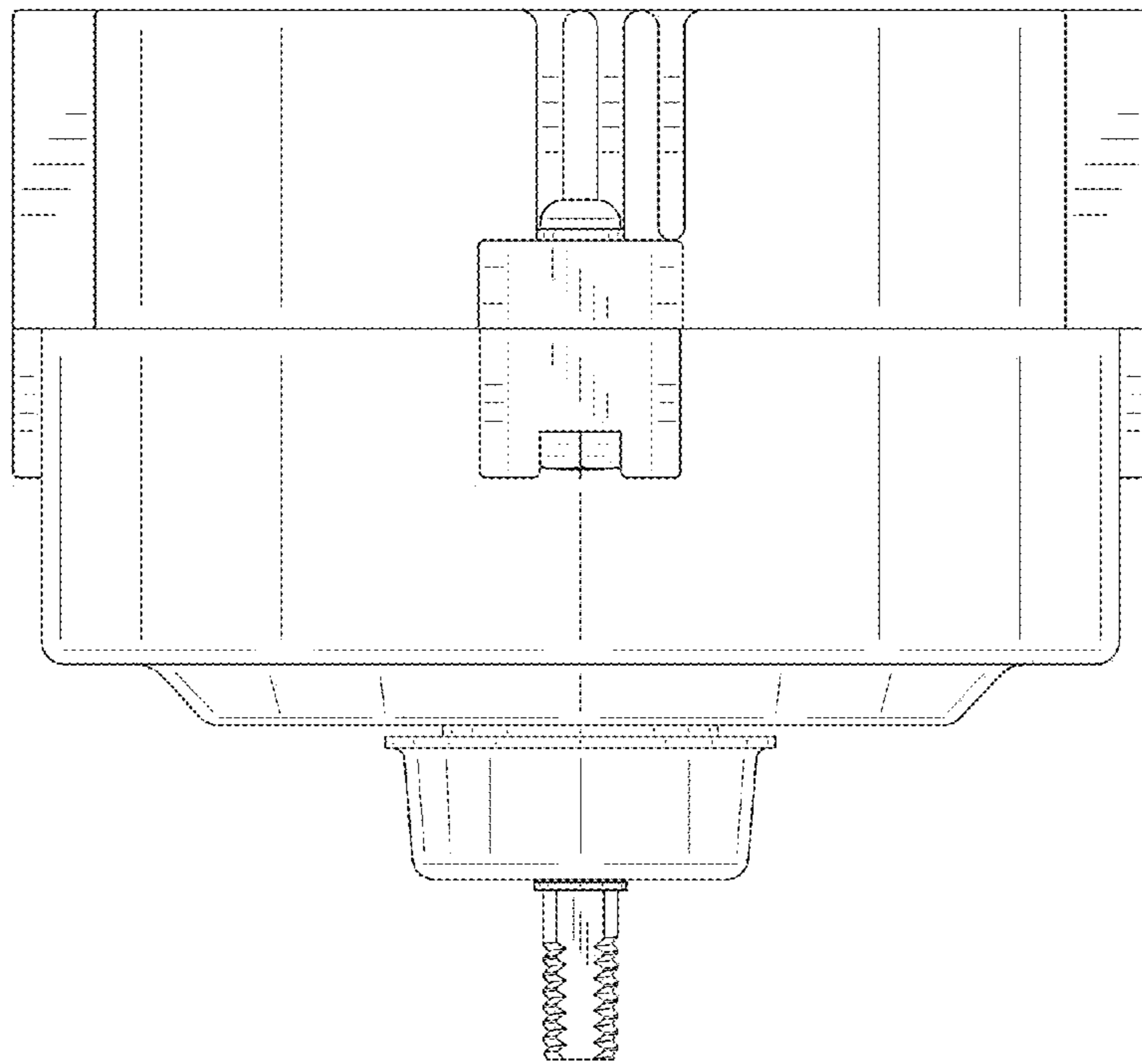


FIG. 8

