



US00D753589S

(12) **United States Design Patent**
Reiner et al.

(10) **Patent No.:** **US D753,589 S**
(45) **Date of Patent:** **** Apr. 12, 2016**

(54) **VARIABLE SPEED DRIVE**

(56) **References Cited**

(71) Applicant: **Schneider Toshiba Inverter Europe SAS**, Pacy sur Eure (FR)

U.S. PATENT DOCUMENTS

(72) Inventors: **Guillaume Reiner**, Grenoble (FR);
Emmanuel Combe, Grenoble (FR)

4,620,263	A *	10/1986	Ito	H05K 7/20918 361/690
5,497,289	A *	3/1996	Sugishima	H02M 7/003 318/558
D380,193	S *	6/1997	Yamaguchi	D13/110
D438,176	S *	2/2001	Cornu	D13/162
6,239,986	B1 *	5/2001	Otsuka	H05K 7/1427 361/728
D455,399	S *	4/2002	Imamura	D13/110
D502,916	S *	3/2005	Higuchi	D13/110
D503,379	S *	3/2005	Gheno	D13/110
D558,141	S *	12/2007	Kwon	D13/110
D560,607	S *	1/2008	Suematsu	D13/110
D562,234	S *	2/2008	Morihara	D13/110
D629,029	S *	12/2010	Keppelen	D15/149

(73) Assignee: **SCHNEIDER TOSHIBA INVERTER EUROPE SAS**, Pacy sur Eure (FR)

(**) Term: **15 Years**

(21) Appl. No.: **29/527,161**

(22) Filed: **May 15, 2015**

(30) **Foreign Application Priority Data**

Nov. 17, 2014 (EM) 002579581-0002

(51) **LOC (10) Cl.** **13-02**

(52) **U.S. Cl.**
USPC **D13/110**

(58) **Field of Classification Search**
USPC D13/110, 101, 123, 162, 164, 184, 199;
307/150-152; 361/600, 601, 622, 702,
361/703, 730, 796, 809; 363/141, 142;
D15/149
CPC H02M 7/00; H02M 7/02; H02M 7/003;
H05K 5/00; H05K 5/0017; H05K 7/00;
H05K 7/1427; H05K 7/20918

See application file for complete search history.

* cited by examiner

Primary Examiner — Derrick Holland

(74) *Attorney, Agent, or Firm* — Oblon, McClelland, Maier & Neustadt, L.L.P.

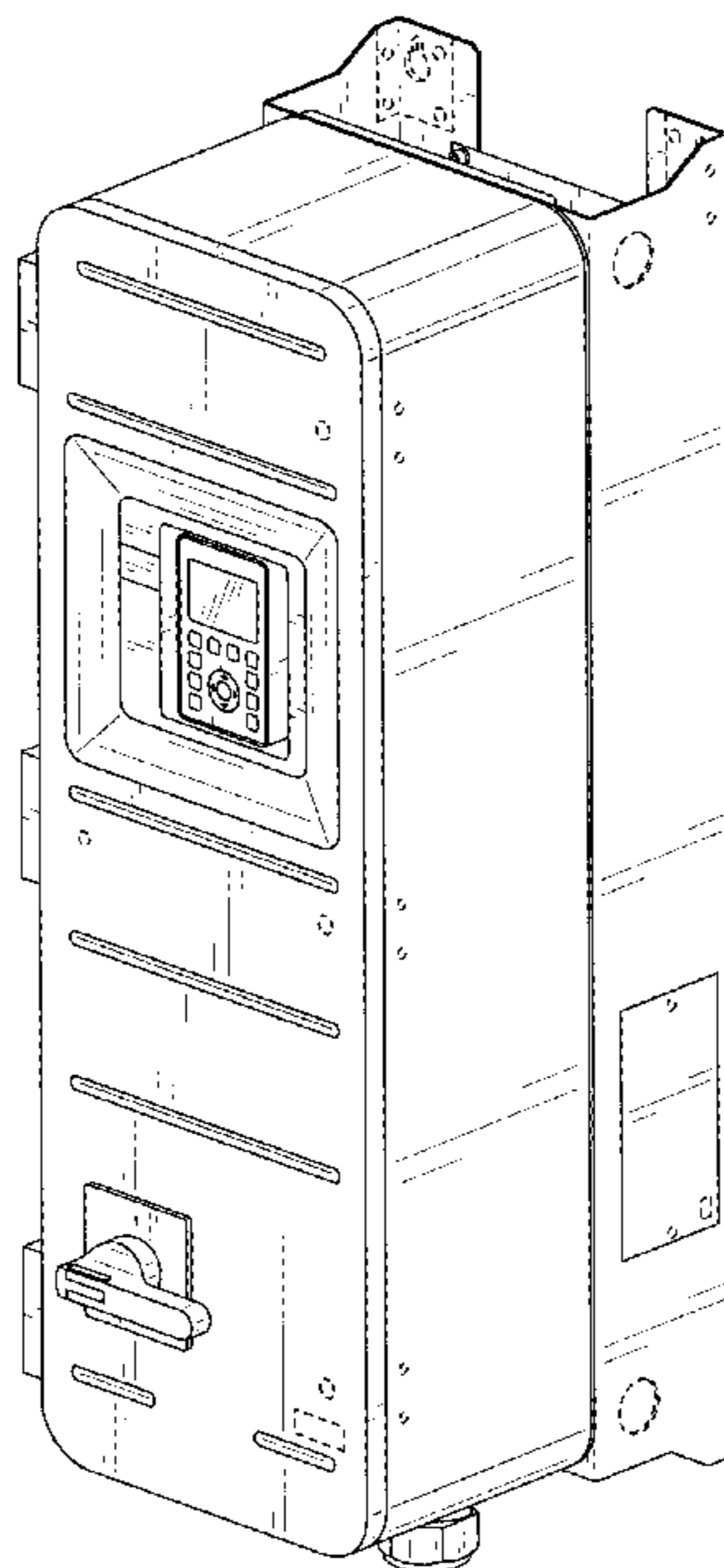
(57) **CLAIM**

The ornamental design for a variable speed drive, as shown and described.

DESCRIPTION

FIG. 1 is a front, top, and right side perspective view of a variable speed drive;
FIG. 2 is a front, bottom, and left side perspective view thereof;
FIG. 3 is a front elevational view thereof;
FIG. 4 is a left side elevational view thereof; and,
FIG. 5 is a rear, bottom, and right side perspective view thereof.
The broken lines in the drawings illustrate environmental subject matter and form no part of the claimed design.

1 Claim, 5 Drawing Sheets



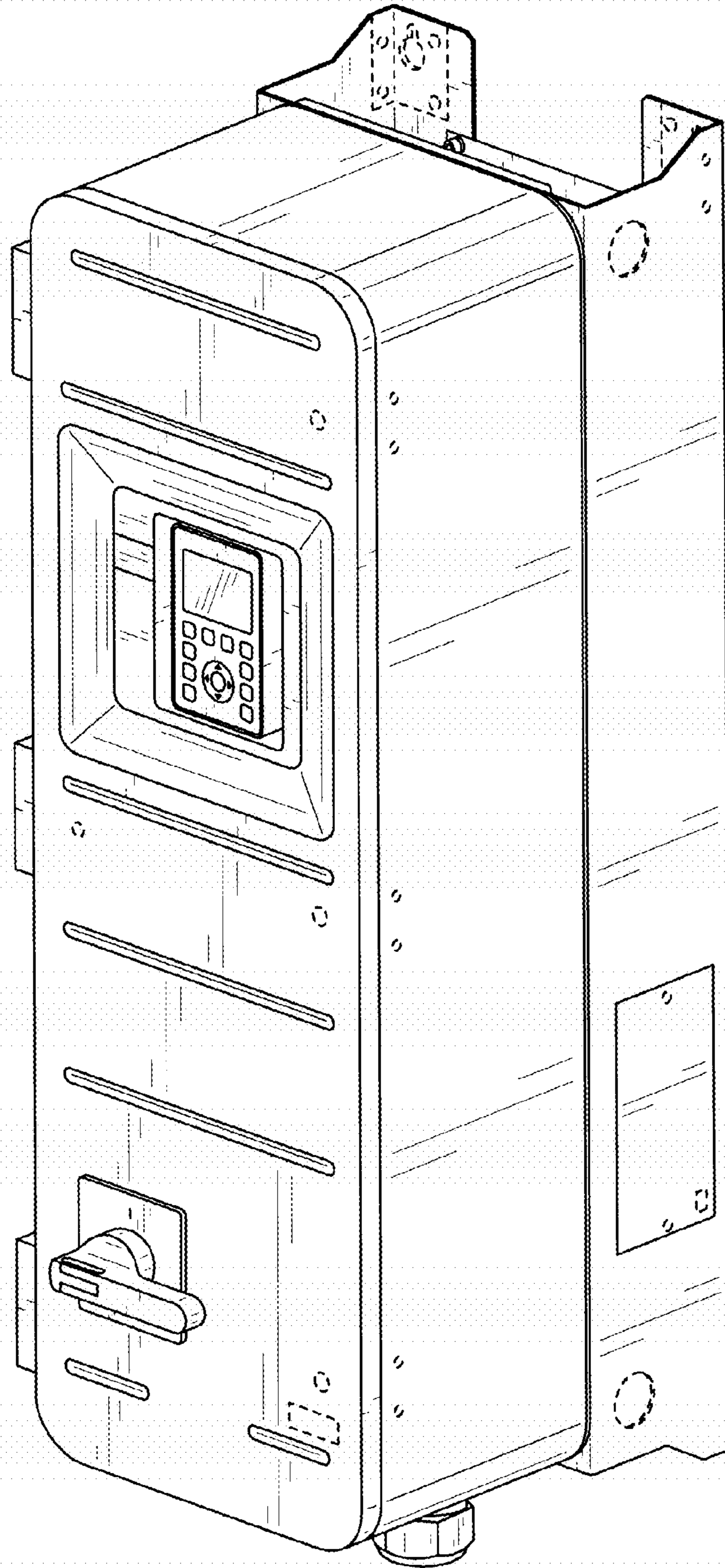


FIG. 1

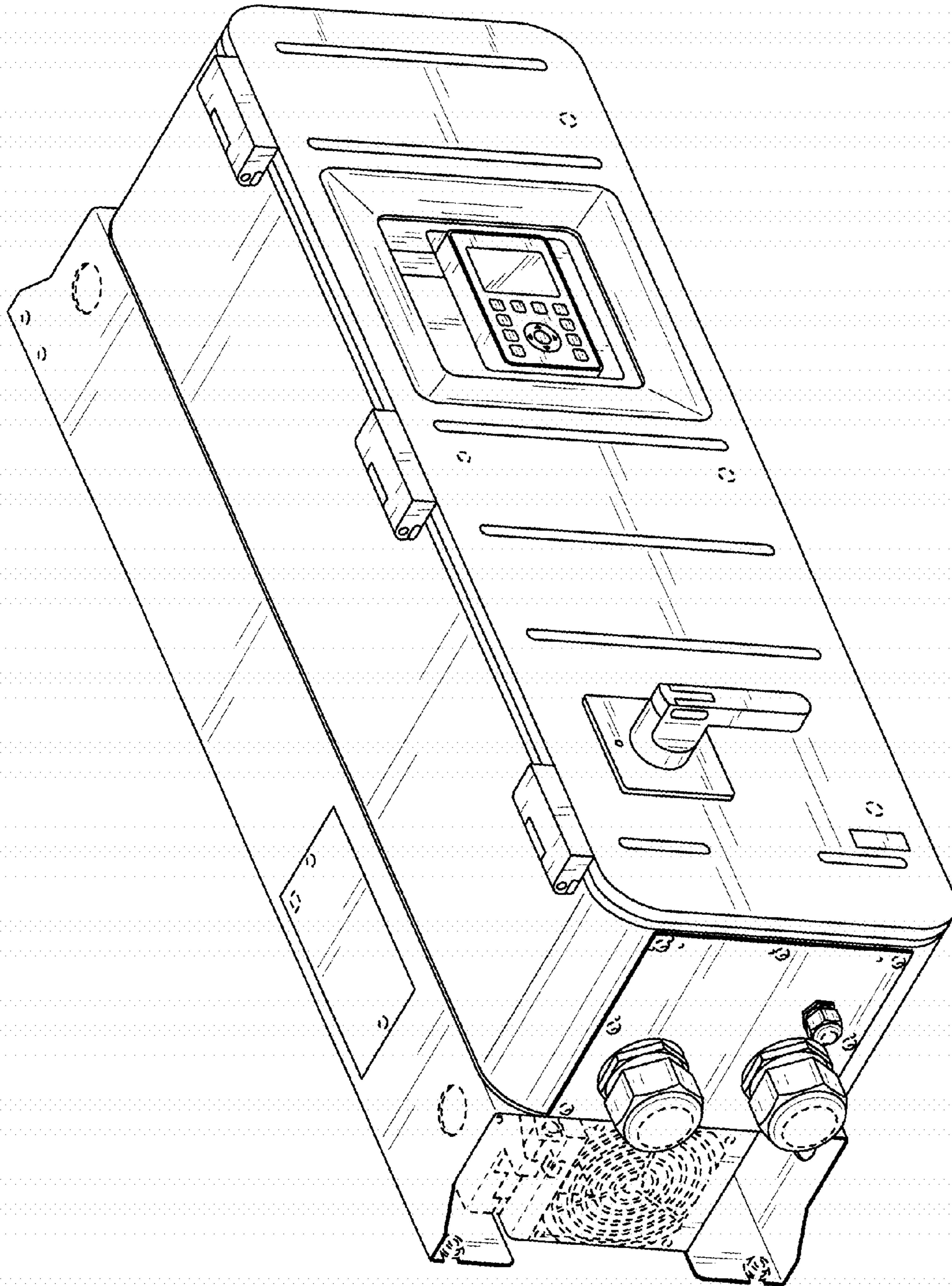


FIG. 2

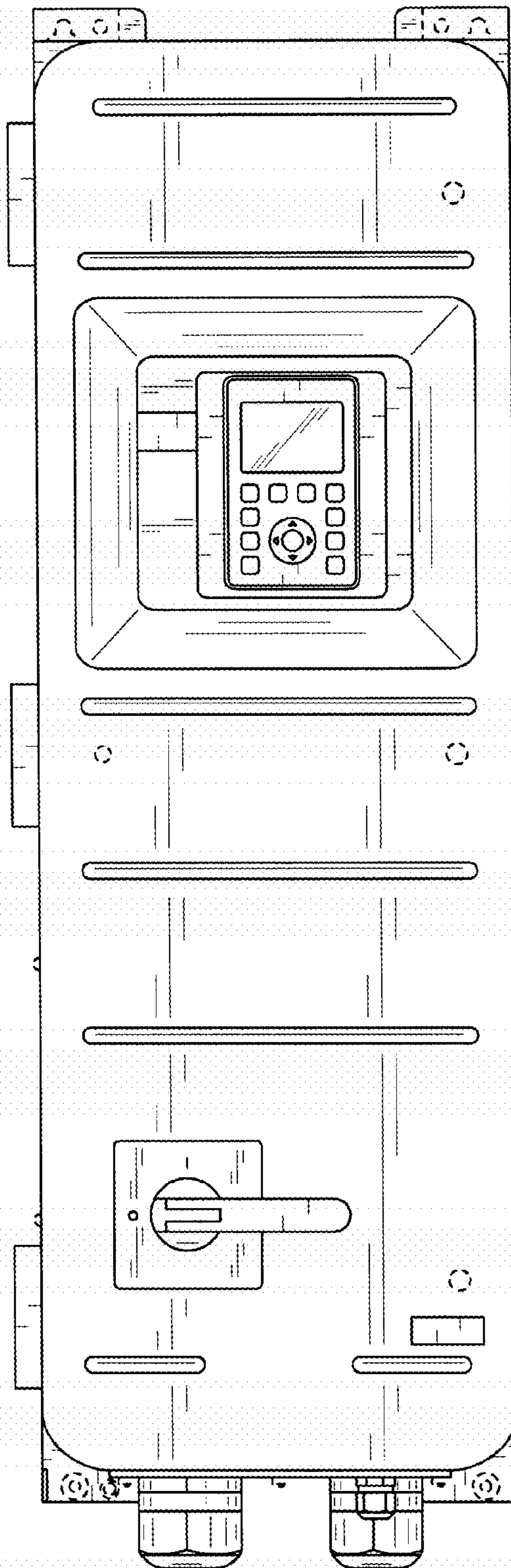


FIG. 3

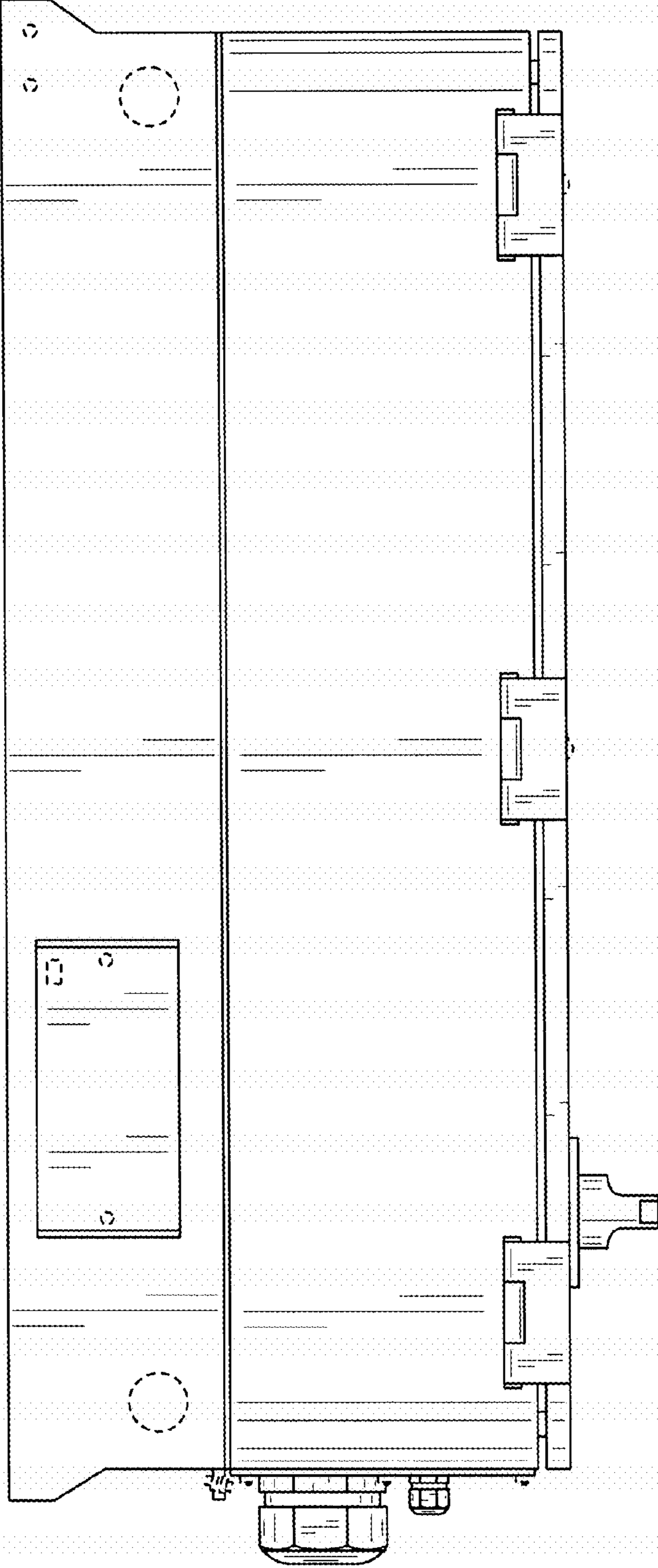


FIG. 4

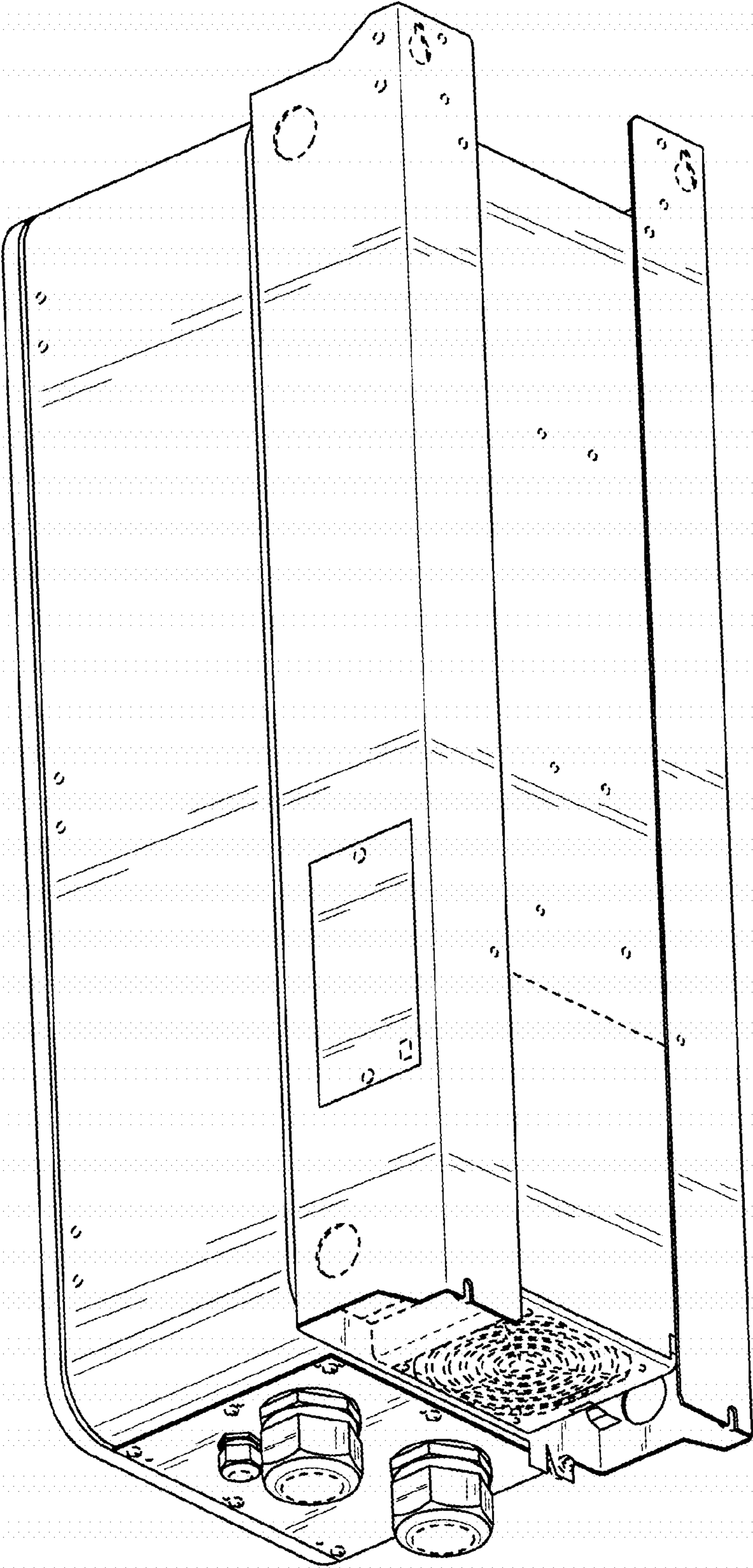


FIG. 5