



US00D753587S

(12) **United States Design Patent**
Tanaka

(10) **Patent No.:** **US D753,587 S**

(45) **Date of Patent:** **** Apr. 12, 2016**

(54) **LEAD-ACID BATTERY**

(71) Applicant: **GS Yuasa International Ltd., Kyoto**
(JP)

(72) Inventor: **Yoko Tanaka, Kyoto (JP)**

(73) Assignee: **GS Yuasa International Ltd., Kyoto**
(JP)

(**) Term: **14 Years**

(21) Appl. No.: **29/494,480**

(22) Filed: **Jun. 20, 2014**

(30) **Foreign Application Priority Data**

Dec. 24, 2013 (JP) 2013-030202

(51) **LOC (10) Cl.** **13-02**

(52) **U.S. Cl.**
USPC **D13/103**

(58) **Field of Classification Search**
USPC D13/102–110, 118–119, 154, 184, 199,
D13/126; D14/203.3–203.8, 217, 248,
D14/250–253, 432, 434, 440, 450, 496;
D3/201, 218, 269, 301, 273, 303;
361/679.56; 379/426, 433.11–433.13,
379/455; 455/575.1, 575.8; 320/101–102,
320/107–115, 120; 429/96–100, 149, 159,
429/163, 176, 177, 186
CPC G06K 7/0008; H01Q 7/00; H01M 10/04;
H01M 10/0413; H01M 10/0436; H01M
2/0207; H01M 2/0212; H01M 2/0215; H01M
2/021; H01M 2/1022; H01M 2/1061; H01M
2/1066; H01M 2/04; H01M 2/0404; H01M
2220/30; H04M 1/026; H04M 1/0262
See application file for complete search history.

(56) **References Cited**

U.S. PATENT DOCUMENTS

D294,484 S * 3/1988 Kellett D13/106
D299,639 S * 1/1989 Anderson D13/106
D303,652 S * 9/1989 Lopez-Doriga
Lopez-Doriga D13/106
D303,653 S * 9/1989 Lopez-Doriga
Lopez-Doriga D13/106

D304,026 S * 10/1989 Goodner D13/103
D401,551 S * 11/1998 Kim D13/106
D600,202 S * 9/2009 Mack D13/104
D607,405 S * 1/2010 Mack D13/103
D608,283 S * 1/2010 Mack D13/103
D609,178 S * 2/2010 Mack D13/104
D609,179 S * 2/2010 Mack D13/104
D609,631 S * 2/2010 Mack D13/104
D625,254 S * 10/2010 Mack D13/104
D625,686 S * 10/2010 Dickson D13/103
D633,862 S * 3/2011 Qualls D13/104
D633,863 S * 3/2011 Qualls D13/106
D633,864 S * 3/2011 Qualls D13/106
D633,865 S * 3/2011 Qualls D13/106
D633,866 S * 3/2011 Qualls D13/106
D635,509 S * 4/2011 Mack D13/104
2003/0064281 A1 * 4/2003 Andersen H01M 2/1005
429/121
2011/0293980 A1 * 12/2011 Tartaglia H01M 2/1094
429/100
2015/0207117 A1 * 7/2015 Cho H01M 2/1077
429/99
2015/0318521 A1 * 11/2015 Zeiler H01M 2/1072
320/107

* cited by examiner

Primary Examiner — Rosemary K Tarcza
Assistant Examiner — Sanjeev Paul
(74) *Attorney, Agent, or Firm* — Capitol City TechLaw

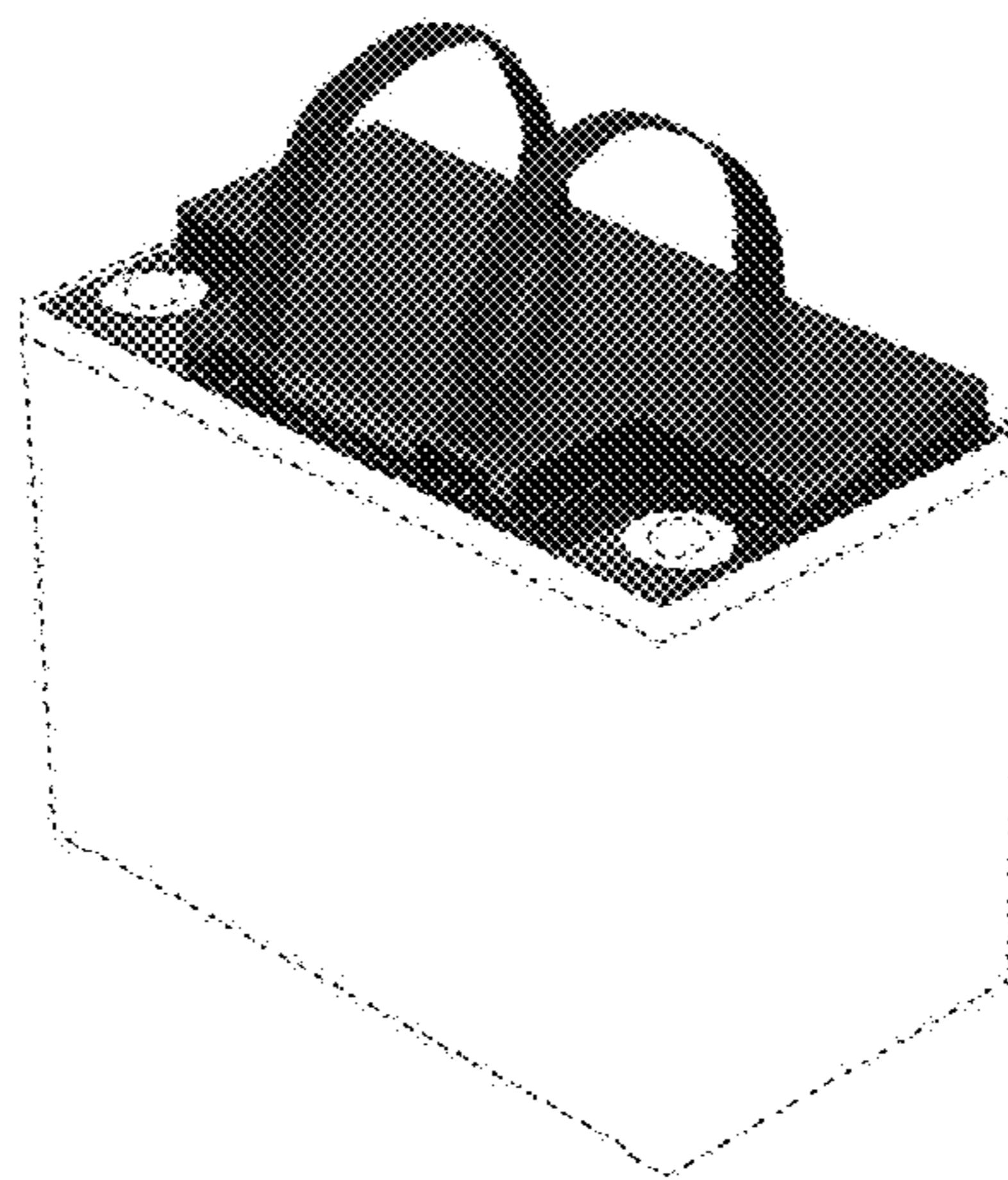
(57) **CLAIM**

The ornamental design for a lead-acid battery, as shown and described.

DESCRIPTION

FIG. 1 is a front, top, and right side perspective view of a lead-acid battery showing my new design;
FIG. 2 is a rear, top, and left side perspective view thereof;
FIG. 3 is a front view thereof;
FIG. 4 is a rear view thereof;
FIG. 5 is a top view thereof;
FIG. 6 is a bottom view thereof;
FIG. 7 is a right side view thereof; and,
FIG. 8 is a left side view thereof.
The broken lines shown in the figures are included for the purpose of illustrating portions of the lead-acid battery that form no part of the claimed design.

1 Claim, 8 Drawing Sheets



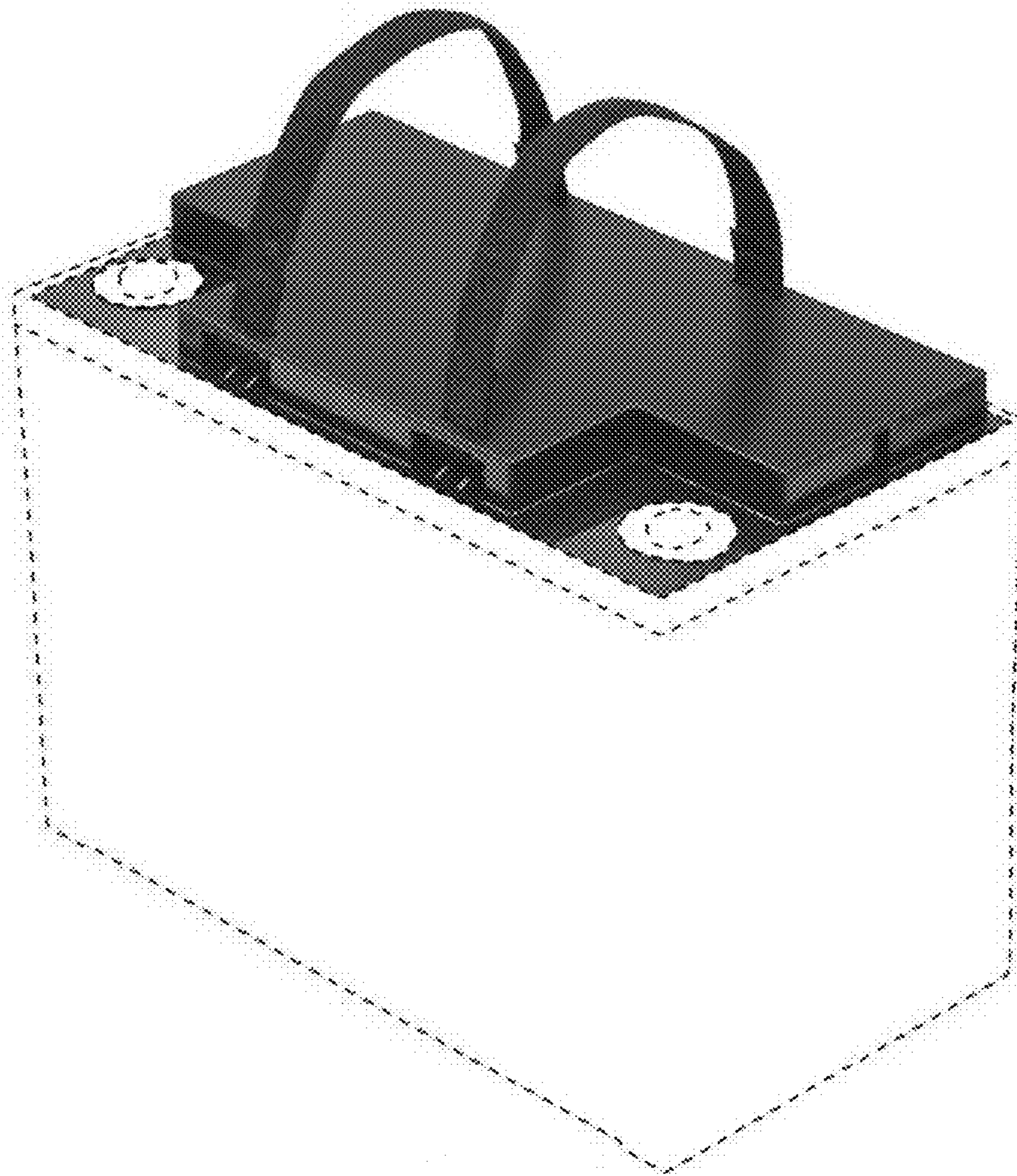


FIG. 1

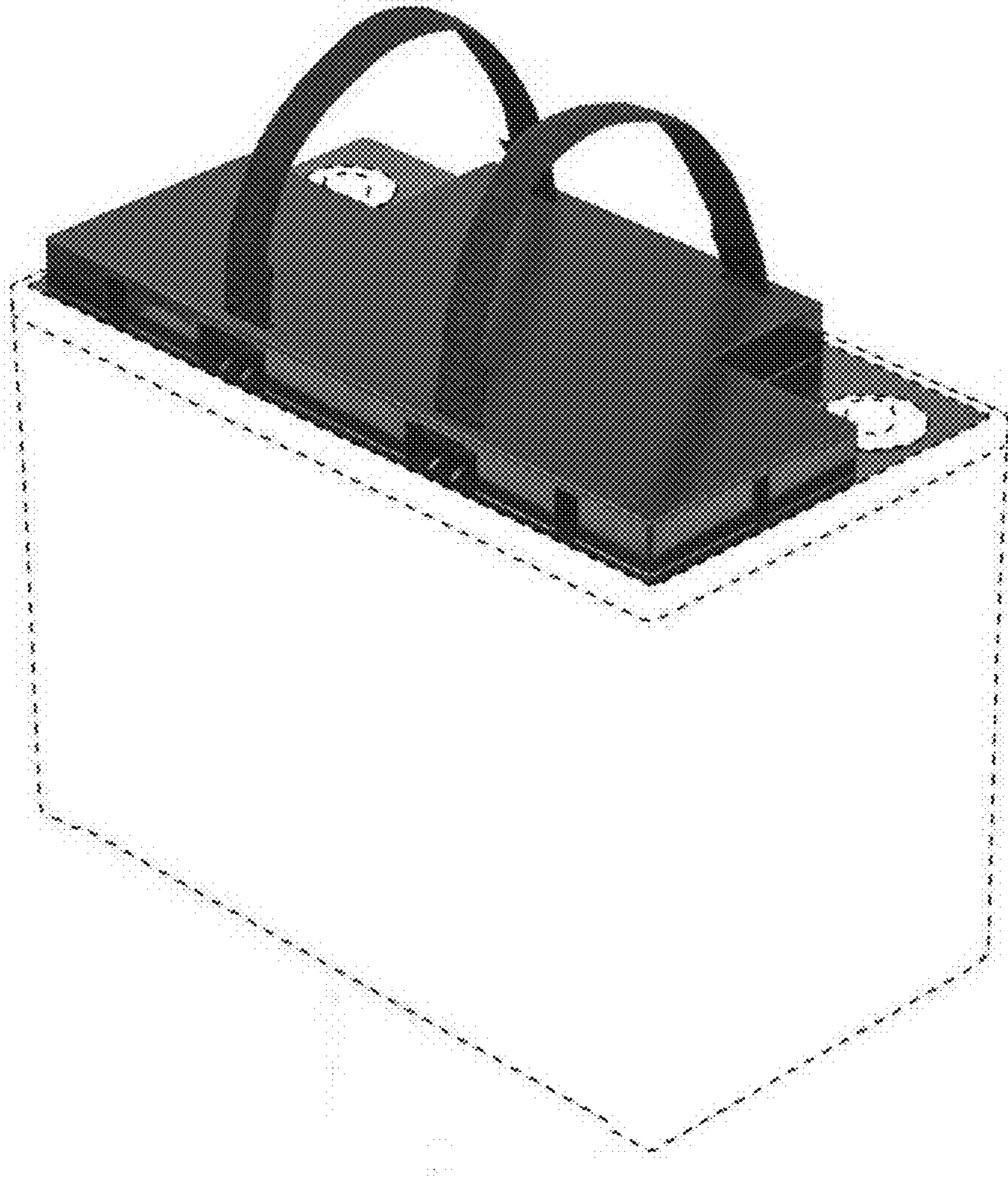


FIG.2

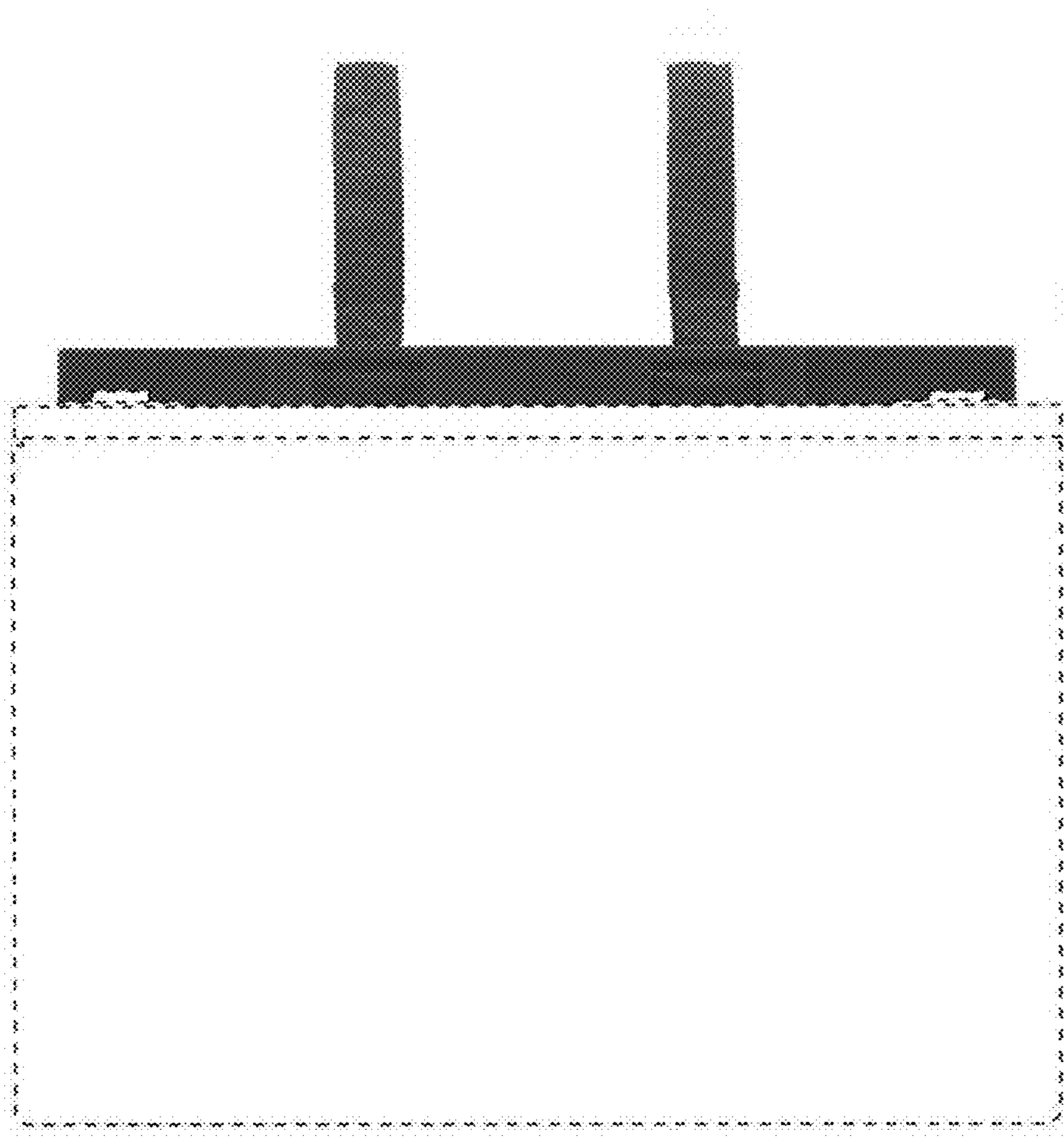


FIG.3

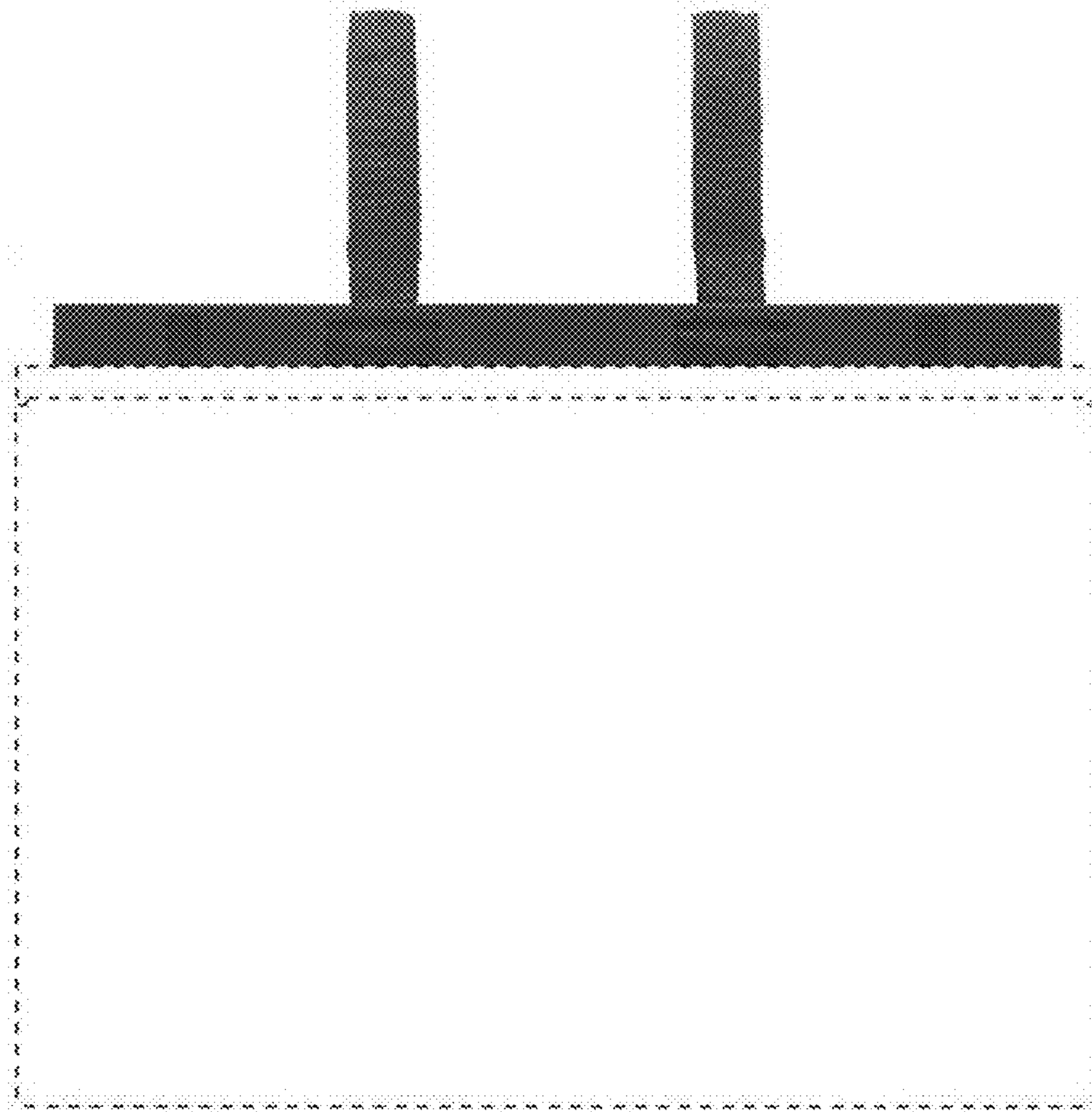


FIG.4

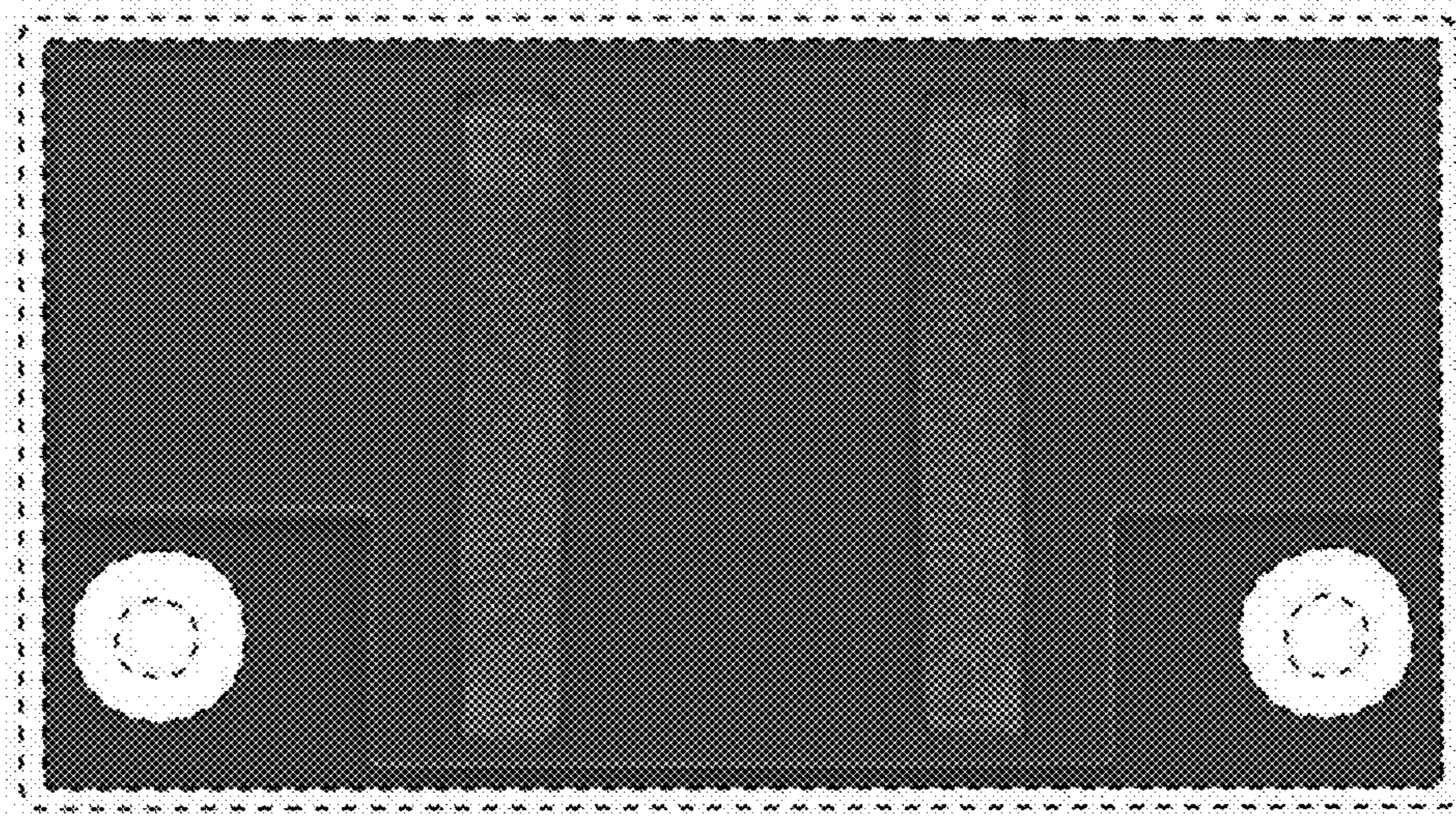


FIG. 5

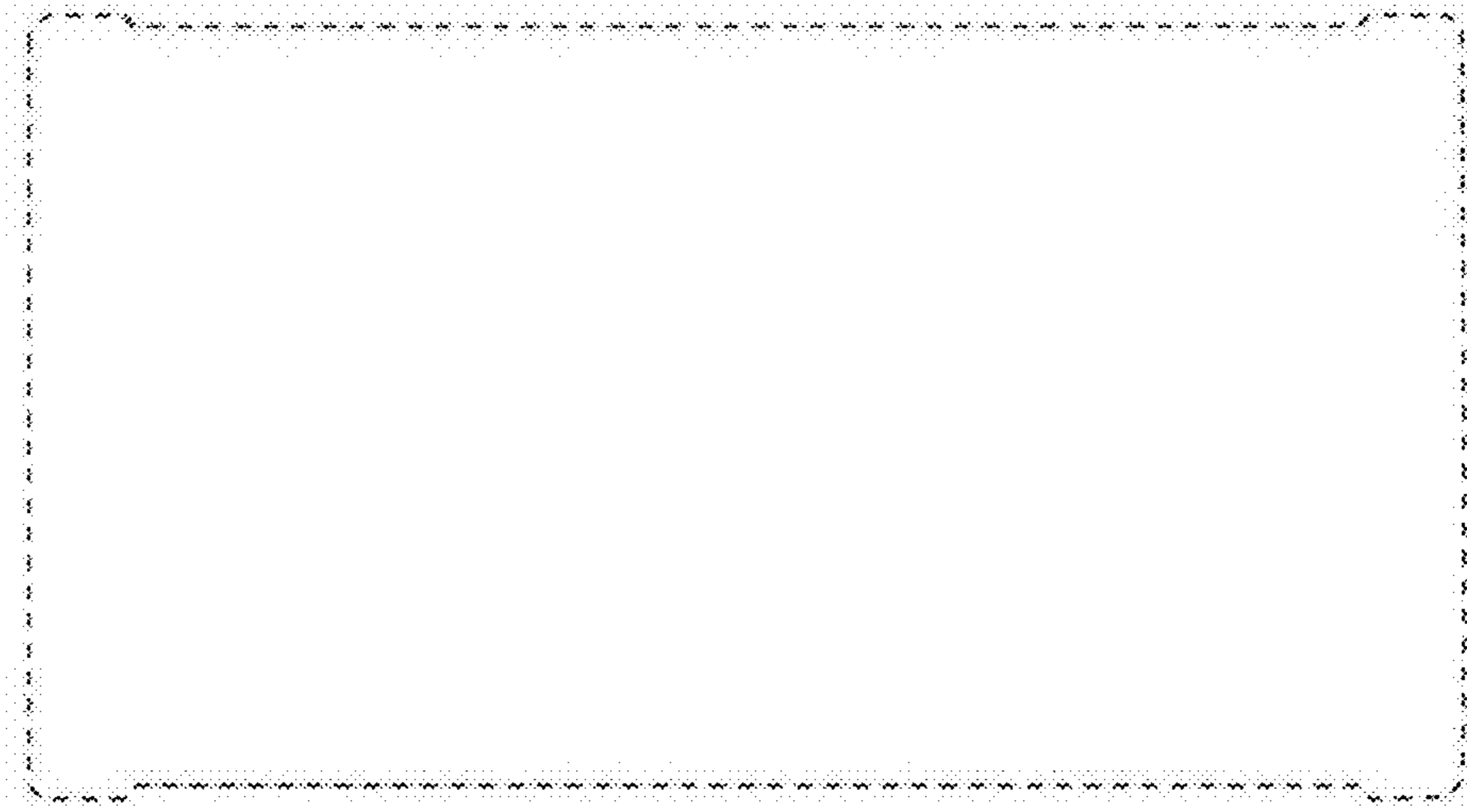


FIG.6

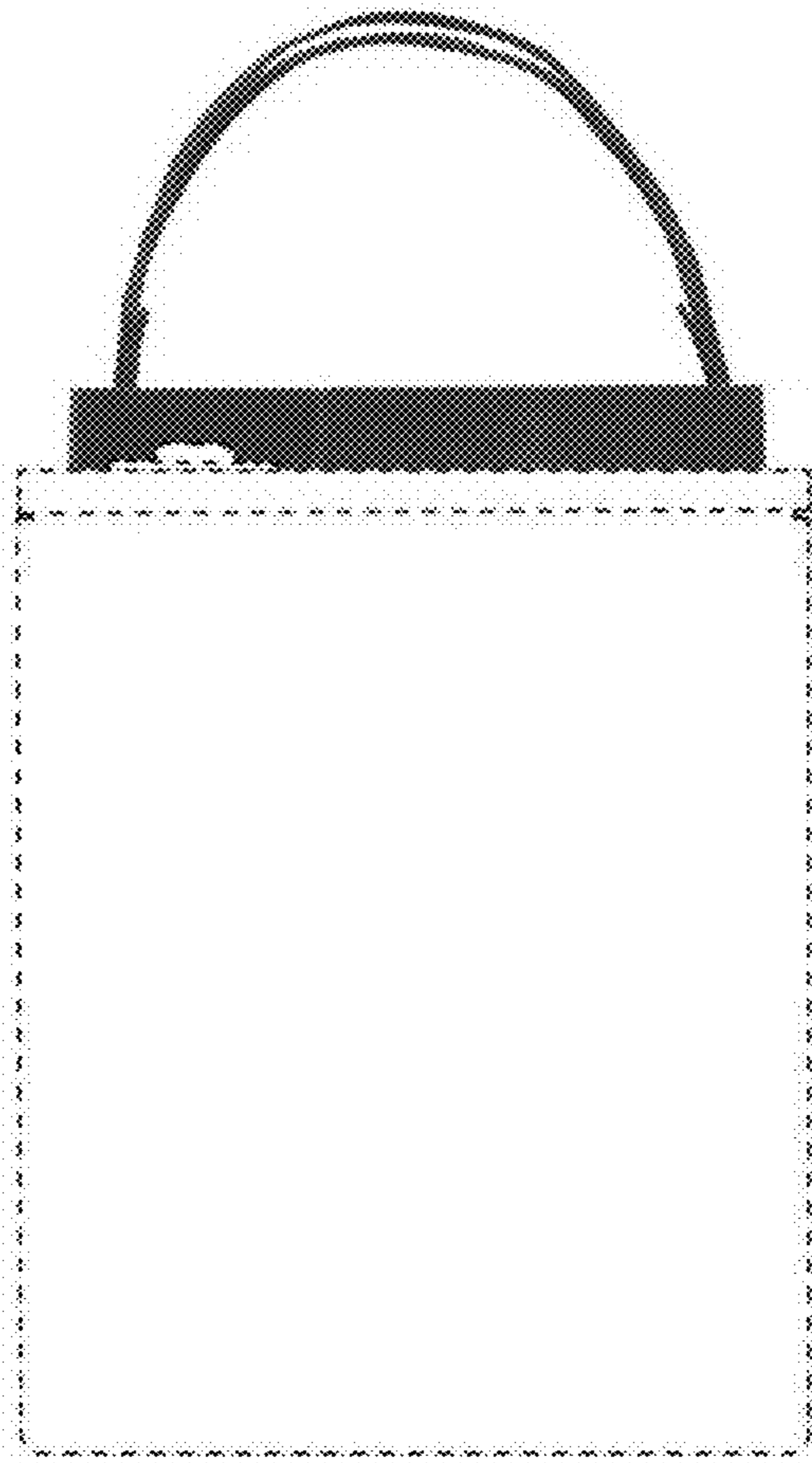


FIG. 7

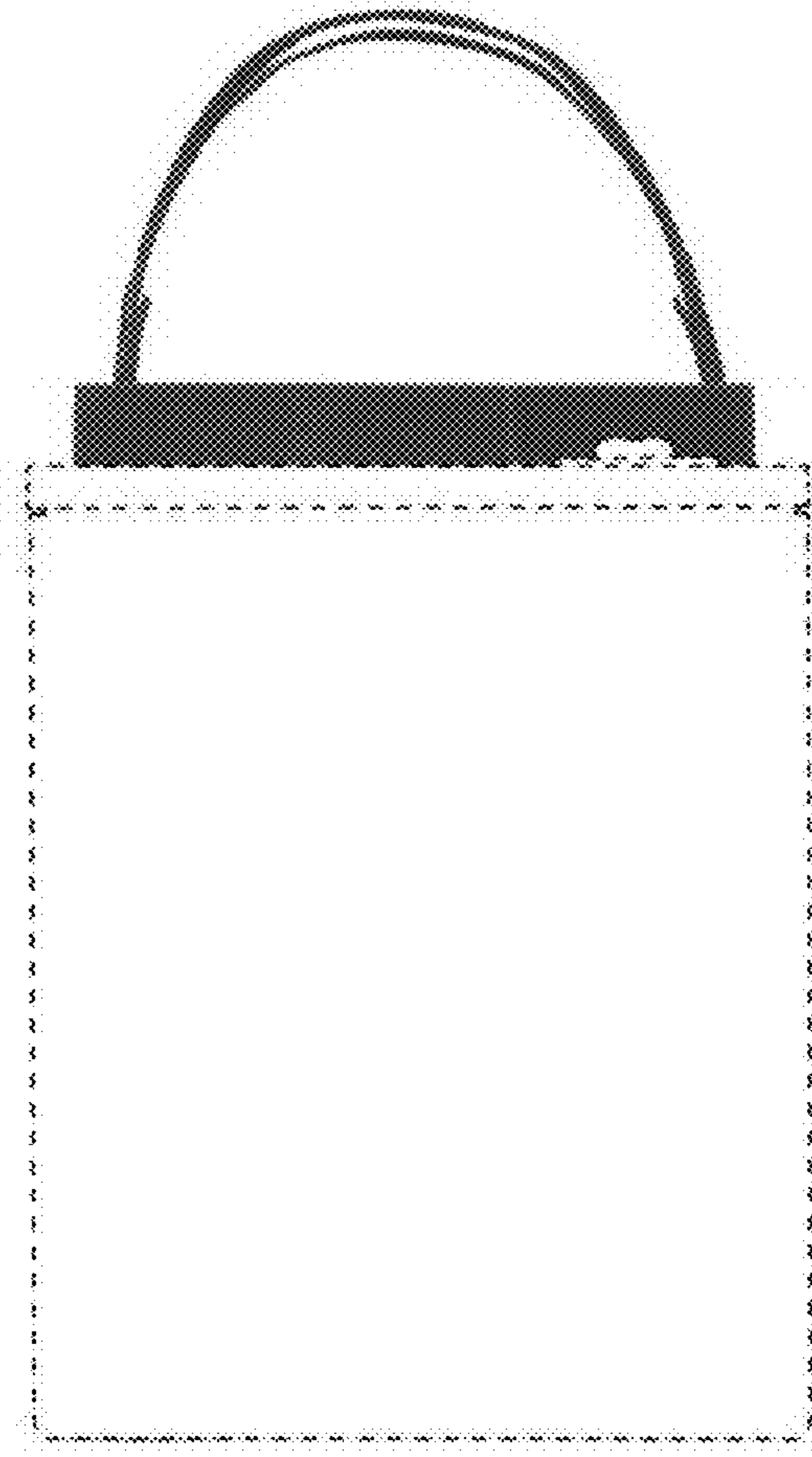


FIG. 8

UNITED STATES PATENT AND TRADEMARK OFFICE
CERTIFICATE OF CORRECTION

PATENT NO. : D753,587 S
APPLICATION NO. : 29/494480
DATED : April 12, 2016
INVENTOR(S) : Yoko Tanaka

Page 1 of 1

It is certified that error appears in the above-identified patent and that said Letters Patent is hereby corrected as shown below:

On the Title Page

After item (73), insert --(*) Notice: This patent is subject to a terminal disclaimer.--

Signed and Sealed this
Twenty-fifth Day of April, 2017



Michelle K. Lee
Director of the United States Patent and Trademark Office