



US00D753577S

(12) **United States Design Patent**
Duncan

(10) **Patent No.:** **US D753,577 S**

(45) **Date of Patent:** **** Apr. 12, 2016**

(54) **BICYCLE CARRIER**

(71) Applicant: **David James Duncan**, Altoona, PA (US)

(72) Inventor: **David James Duncan**, Altoona, PA (US)

(**) Term: **14 Years**

(21) Appl. No.: **29/498,506**

(22) Filed: **Aug. 5, 2014**

(51) **LOC (10) Cl.** **12-16**

(52) **U.S. Cl.**
USPC **D12/408**; D12/115

(58) **Field of Classification Search**
USPC D12/111, 406, 407, 408, 412, 414;
224/42.11, 314, 331, 329, 400, 412,
224/419, 442.12, 451, 461, 488, 489, 495,
224/497, 499, 500, 502, 504, 511-537, 924
CPC B60R 9/06; B60R 9/10; B60R 11/00
See application file for complete search history.

(56) **References Cited**

U.S. PATENT DOCUMENTS

5,435,472	A *	7/1995	Allen	B60R 9/06 224/314
6,095,387	A *	8/2000	Lipscomb	B60R 9/06 224/485
D447,997	S *	9/2001	Ferman	D12/408
6,322,238	B1 *	11/2001	Barr	B60Q 1/44 362/473
6,761,297	B1 *	7/2004	Pedrini	B60R 9/10 224/324
D628,141	S *	11/2010	Weaver	D12/408
D706,209	S *	6/2014	Flaherty	D12/407

8,985,418	B1 *	3/2015	Poudrier	B60R 9/06 224/521
2003/0222112	A1 *	12/2003	McLemore	B60R 9/06 224/521
2008/0164292	A1 *	7/2008	Farney	B60R 9/10 224/324
2008/0203750	A1 *	8/2008	Premartin	B60R 9/10 296/3
2011/0011909	A1 *	1/2011	Liu	B60R 9/10 224/501
2013/0062383	A1 *	3/2013	Jeli	B60R 9/10 224/497

* cited by examiner

Primary Examiner — Philip S Hyder
Assistant Examiner — Darlington Ly

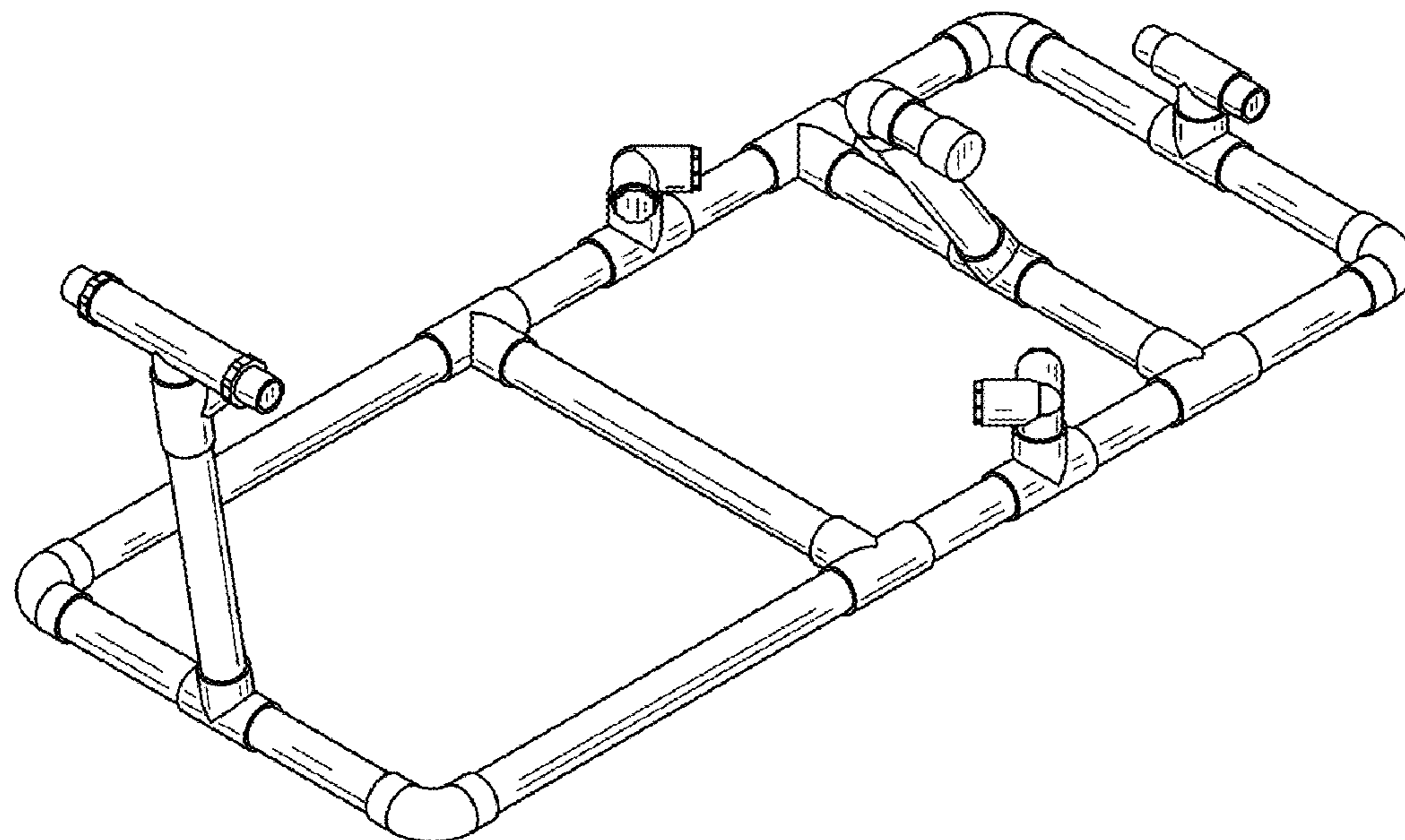
(57) **CLAIM**

The ornamental design for a bicycle carrier, as shown and described.

DESCRIPTION

FIG. 1 is a top, front and right-side perspective view of a bicycle carrier showing my new design; FIG. 2 is a front elevation view thereof; FIG. 3 is a rear elevation view thereof; FIG. 4 is a left-side elevation view thereof; FIG. 5 is a right-side elevation view thereof; FIG. 6 is a top plan view thereof; FIG. 7 is a bottom plan view thereof; and, FIG. 8 is a top, front and right-side perspective view thereof in which a bicycle is shown loaded. The broken lines showing a bicycle frame is provided for the purpose of illustrating environmental structure and forms no part of the claimed design.

1 Claim, 4 Drawing Sheets



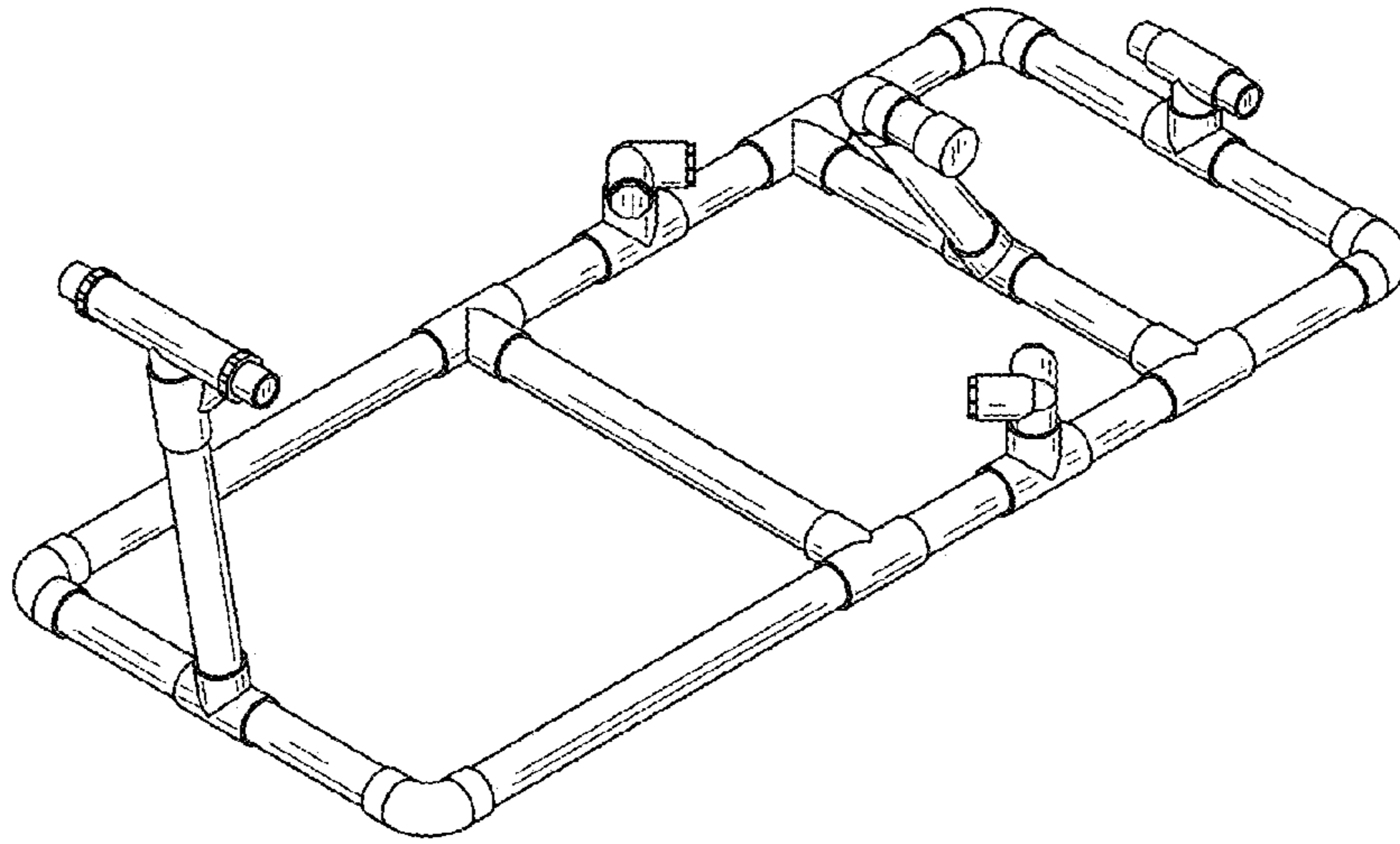


FIG. 1

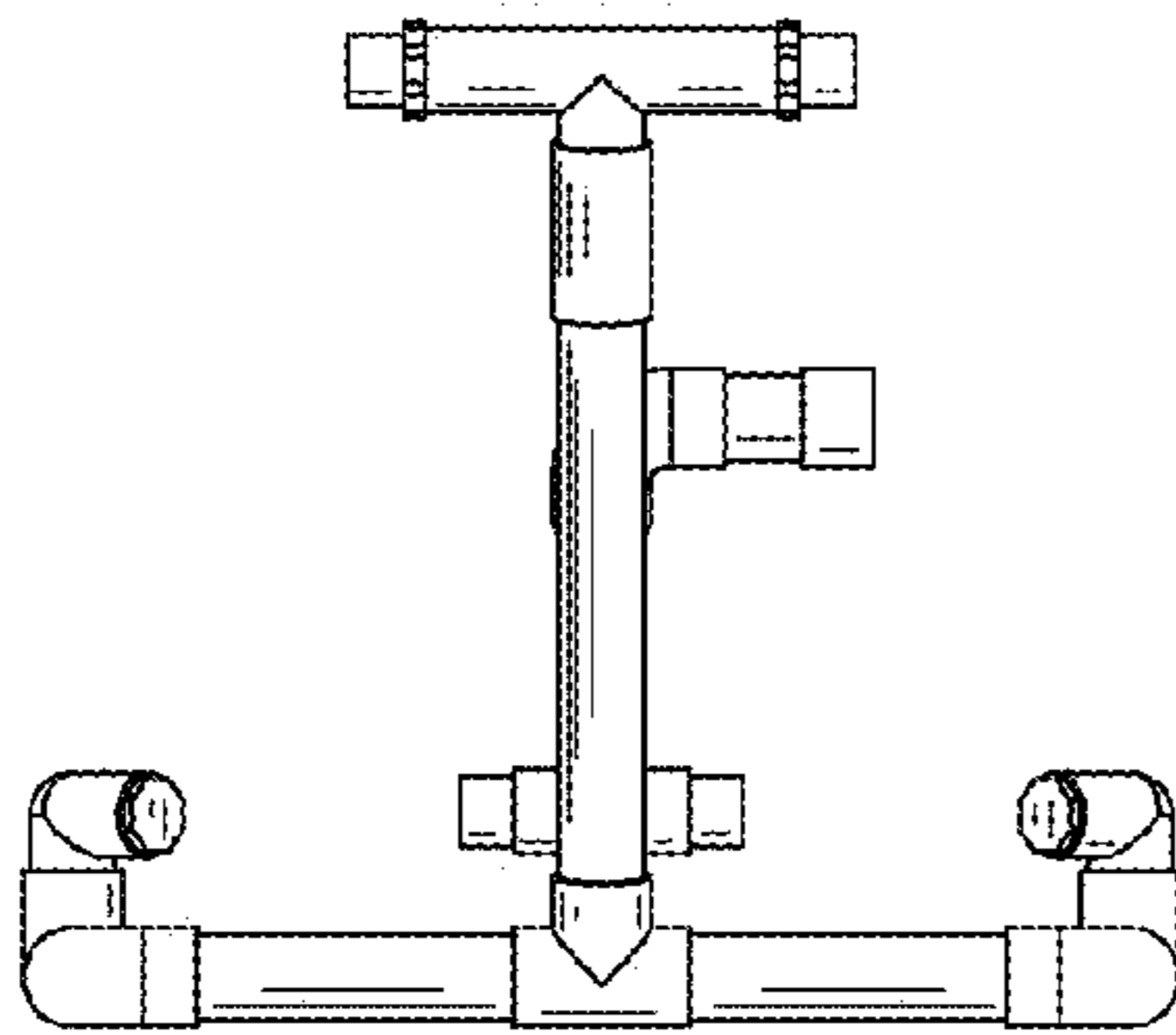


FIG. 2

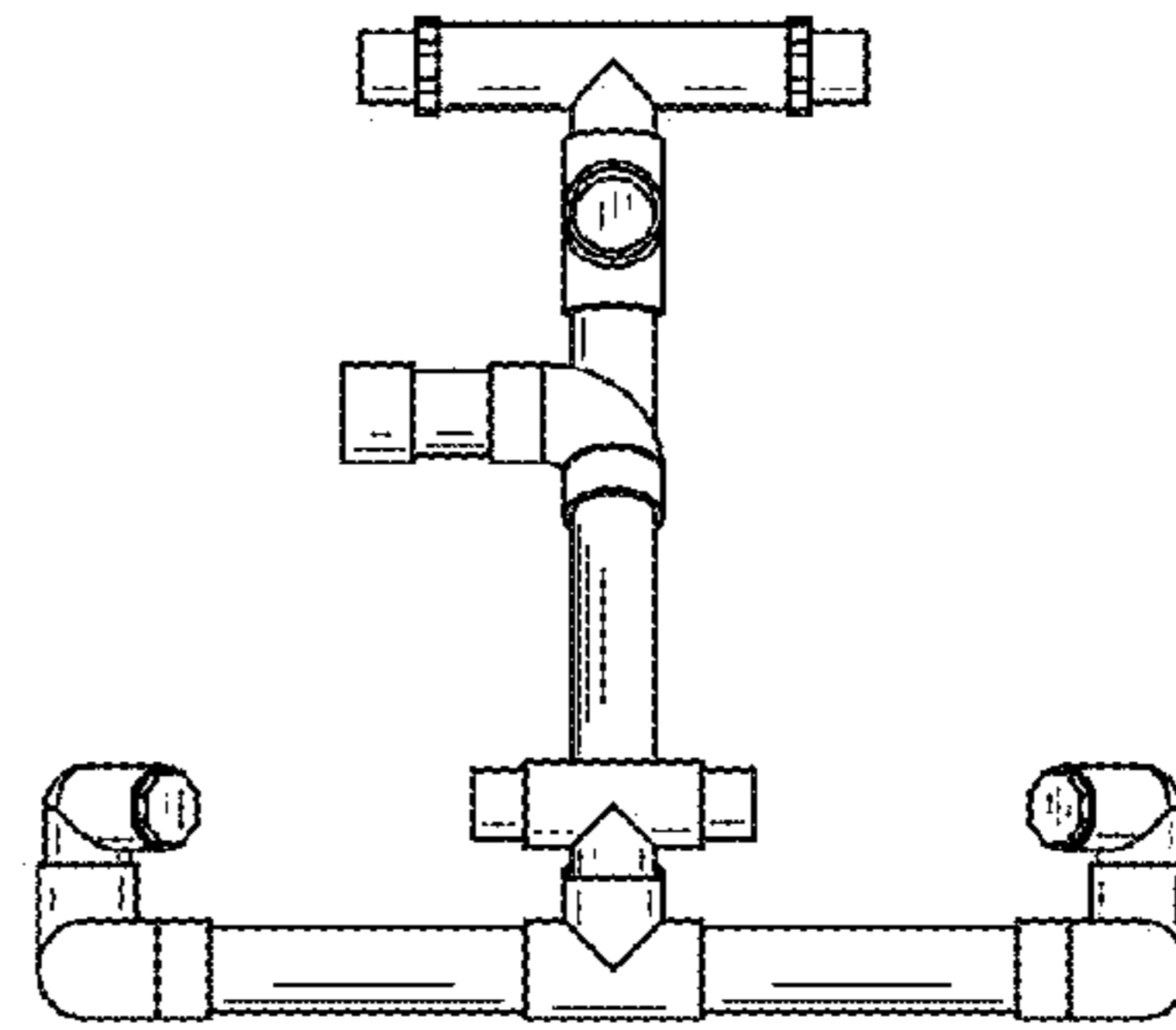


FIG. 3

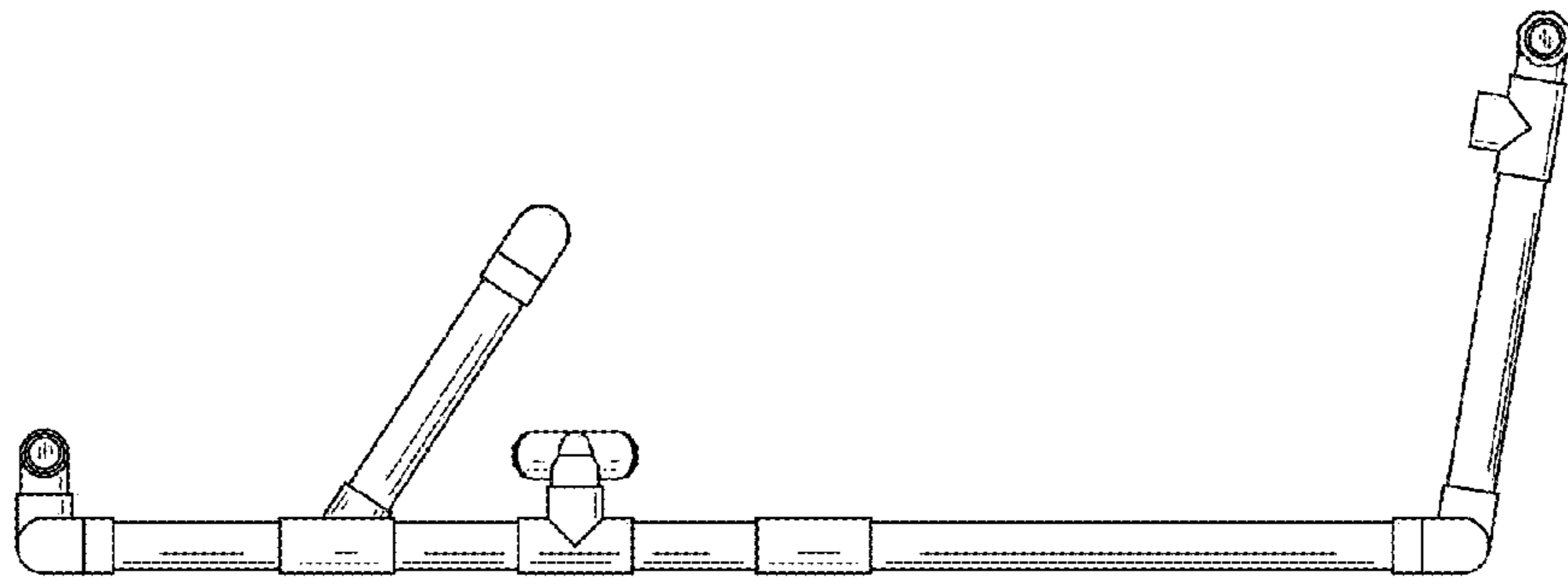


FIG. 4

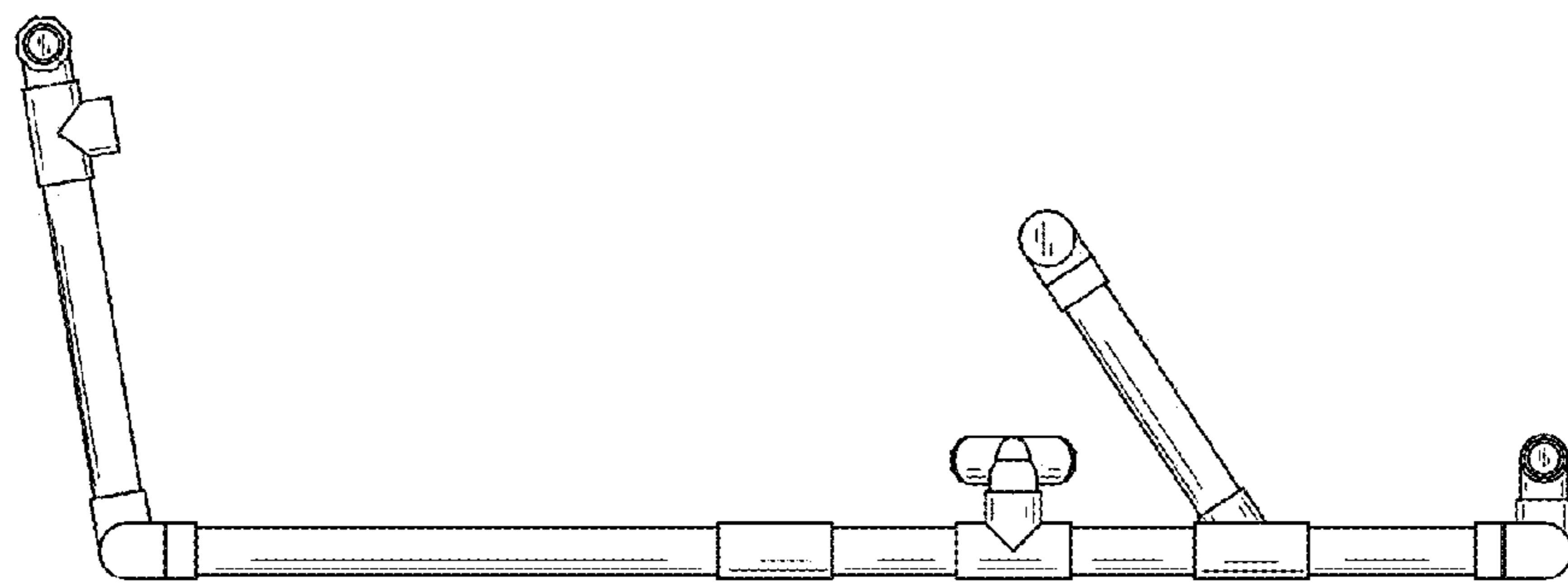


FIG. 5

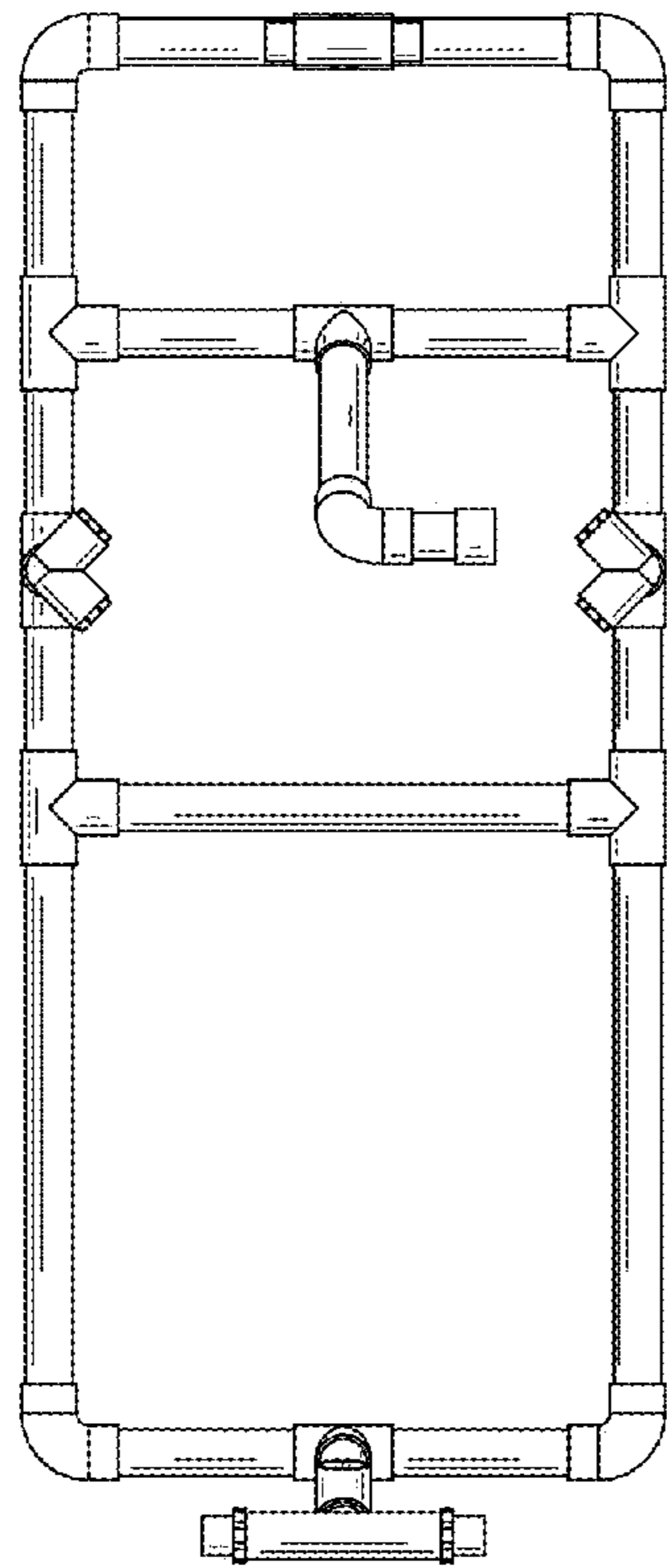


FIG. 6

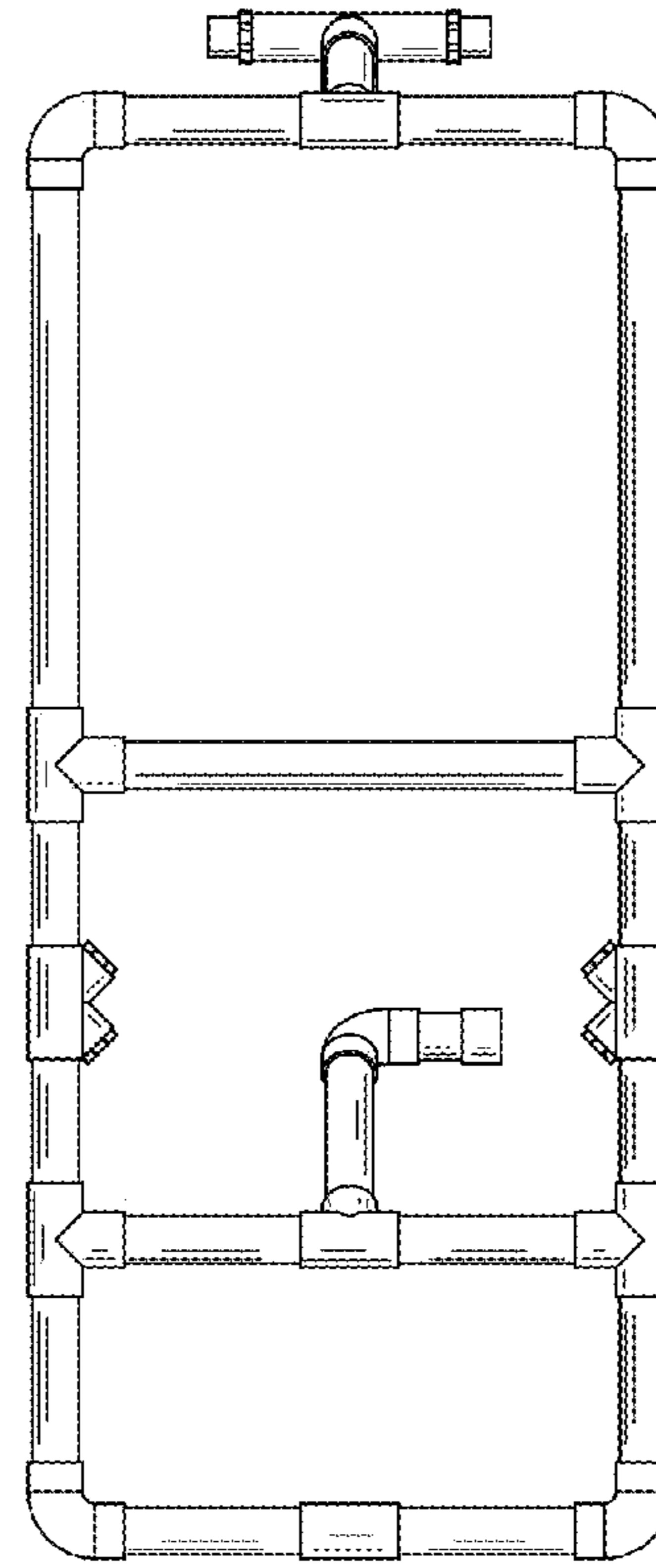


FIG. 7

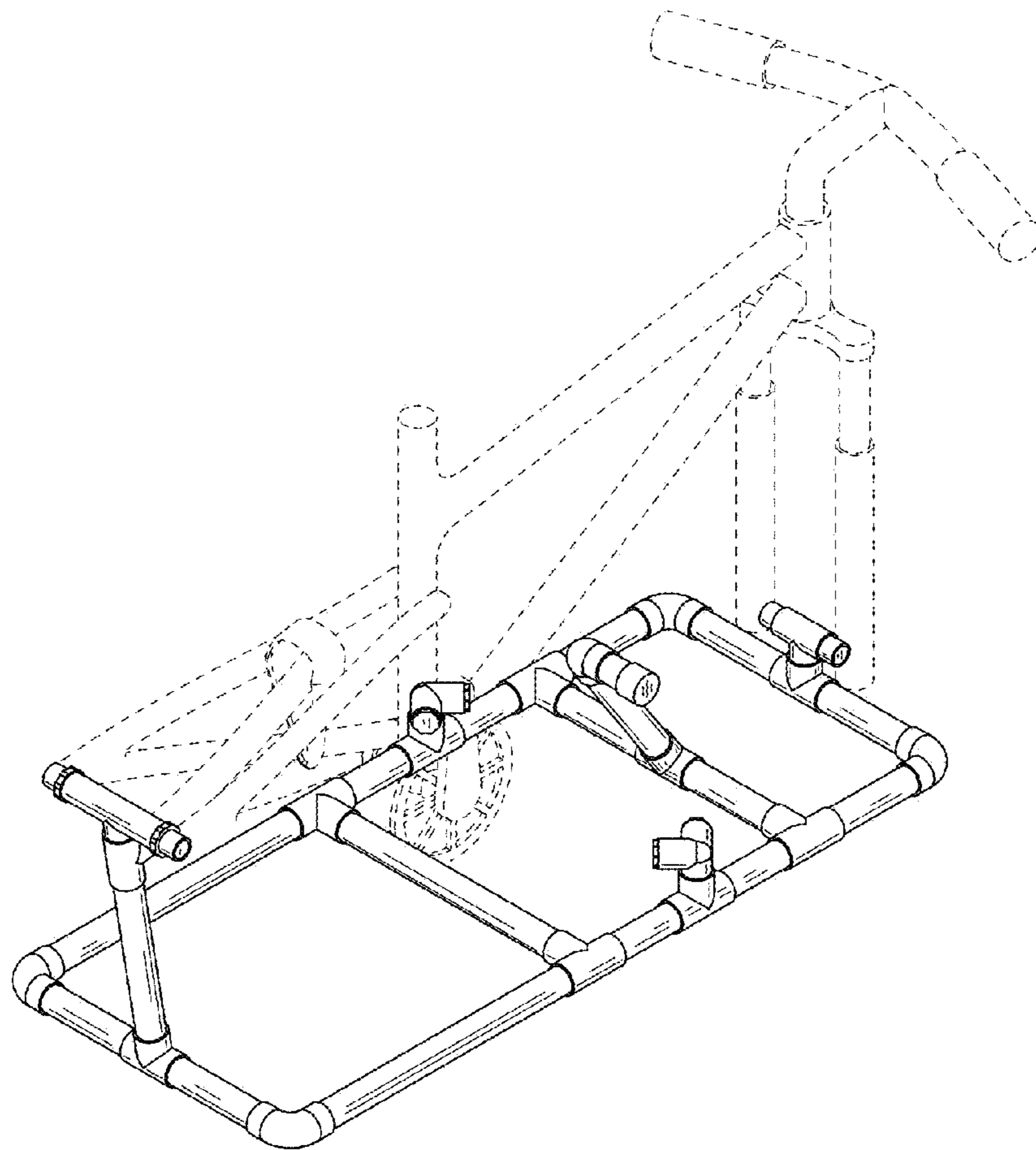


FIG. 8