



US00D753576S

(12) **United States Design Patent**
Burhanidust et al.

(10) **Patent No.:** **US D753,576 S**
(45) **Date of Patent:** **** Apr. 12, 2016**

(54) **GUIDE RAILS FOR A TARPAULIN COVER OF A COMMERCIAL VEHICLE**

(71) Applicant: **Edscha Trailer Systems GmbH**, Moers (DE)

(72) Inventors: **Ali Akbar Burhanidust**, Cologne (DE); **Frank Frentzen**, Viersen (DE); **Jorg Grunwald**, Dinslaken (DE); **Karl Kemmerling**, Solingen (DE); **Axel Scholz**, Moers (DE); **Rolf Weigelt**, Duisburg (DE)

(73) Assignee: **Edscha Trailer Systems GmbH**, Moers (DE)

(**) Term: **14 Years**

(21) Appl. No.: **29/490,883**

(22) Filed: **May 15, 2014**

(51) **LOC (10) Cl.** **12-06**

(52) **U.S. Cl.**
USPC **D12/223**; D8/382

(58) **Field of Classification Search**
USPC D12/223, 400, 414, 162, 106, 42; D8/349, 354, 356, 366, 382, 383, 394, D8/499; D26/99, 140, 138, 141; D25/119
CPC B60P 7/00; B60P 7/02; B60P 7/04; B60P 7/06; B60J 5/065; B62D 33/04
See application file for complete search history.

(56) **References Cited**

U.S. PATENT DOCUMENTS

3,709,552 A * 1/1973 Broadbent B60J 5/065
160/330
D317,513 S * 6/1991 Miller D13/155
5,022,702 A * 6/1991 Straub B60J 5/065
160/84.01
D320,094 S * 9/1991 Miller D13/155
D347,699 S * 6/1994 Krueger D25/119
D433,459 S * 11/2000 Balchin D20/44

6,474,720 B1 * 11/2002 Fliege B60J 7/062
296/100.16
6,554,347 B1 * 4/2003 Libner B60J 5/065
160/206
6,612,638 B1 * 9/2003 Fliege B60J 5/065
16/87.6 R
D496,249 S * 9/2004 Liebendorfer D8/354
6,959,517 B2 * 11/2005 Poddany E06B 1/6015
52/173.3

(Continued)

FOREIGN PATENT DOCUMENTS

DE 10252461 B4 * 6/2007 B60J 5/065
DE 202013100309 U1 * 3/2013 B62D 33/04

(Continued)

OTHER PUBLICATIONS

Das Original—Edscha Trailer Systems—Spare Parts Catalog (pp. 6, 44, 56, 66, 86, 92 and 154 of catalog), image post year 2013, site visited on Oct. 23, 2015 (online), <http://www.edschats.com/globalassets/documents/pdfs/edscha/ersatzteilprospekte/alle_ersatzteile/edschats_spare_parts_09_2013.pdf>.*

Primary Examiner — Sheryl Lane

Assistant Examiner — Ieisha Price

(74) *Attorney, Agent, or Firm* — Nikolai & Mersereau P.A.; Thomas J. Nikolai

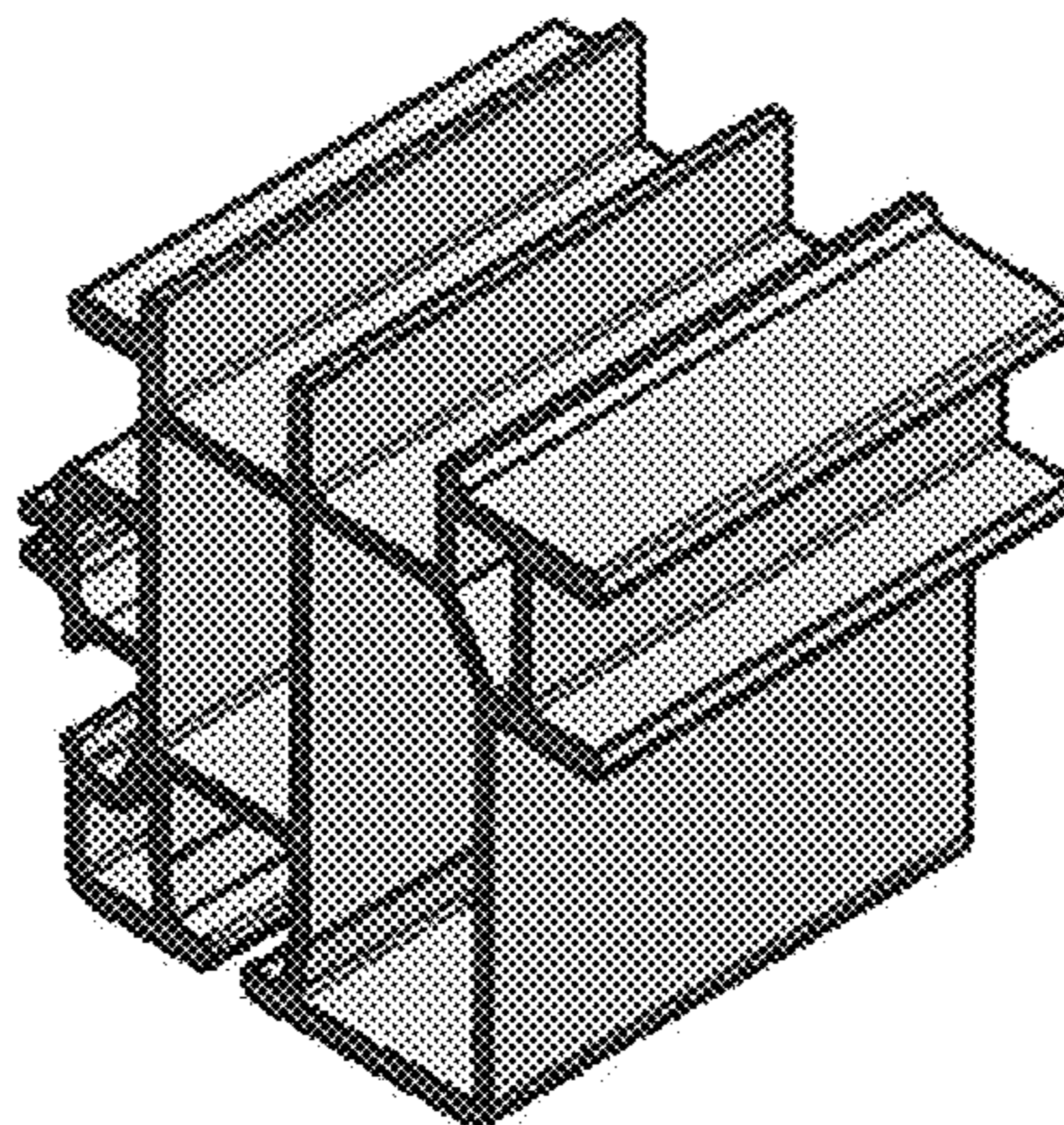
(57) **CLAIM**

The ornamental design for a guide rails for a tarpaulin cover of a commercial vehicle, as shown and described.

DESCRIPTION

FIG. 1 is a top plan view of the guide rails for a tarpaulin cover of a commercial vehicle of the present invention. FIG. 2 is a first perspective view thereof; FIG. 3 is a second perspective view thereof; FIG. 4 is a left side elevational view thereof; FIG. 5 is a right side elevational view thereof; FIG. 6 is a bottom plan view thereof; and, FIG. 7 is a front elevational view thereof, with the rear elevational view being the mirror image of.

1 Claim, 4 Drawing Sheets



(56)

References Cited

U.S. PATENT DOCUMENTS

7,260,918 B2 * 8/2007 Liebendorfer F24J 2/5205
 136/244
 7,287,808 B2 * 10/2007 Zugaza Fernandez ... B60J 5/065
 296/186.2
 8,595,996 B2 * 12/2013 Korman F24J 2/5207
 126/623
 9,051,774 B1 * 6/2015 Acker, Jr. E05D 15/0626
 2009/0121514 A1 * 5/2009 Remmel B60J 7/065
 296/100.12
 2012/0217768 A1 * 8/2012 Haire B62D 33/04
 296/185.1
 2015/0224862 A1 * 8/2015 Yue B60P 7/02
 296/100.09

FOREIGN PATENT DOCUMENTS

DE 102012006397 A1 * 10/2013 B62D 33/0222
 DE 202014000805 U1 * 4/2014 B60P 7/04
 EP 0858930 A1 * 8/1998 B60J 5/065
 EP 1916137 A1 * 4/2008 B60J 5/065
 EP 1918145 A2 * 5/2008 B60J 5/065
 EP 2353904 A1 * 8/2011 B60J 5/065
 EP 2540598 A2 * 1/2013 B60J 5/065
 EP 2371595 B1 * 11/2013 B60J 5/065
 EP 2269854 B1 * 12/2014 B60J 5/065

* cited by examiner

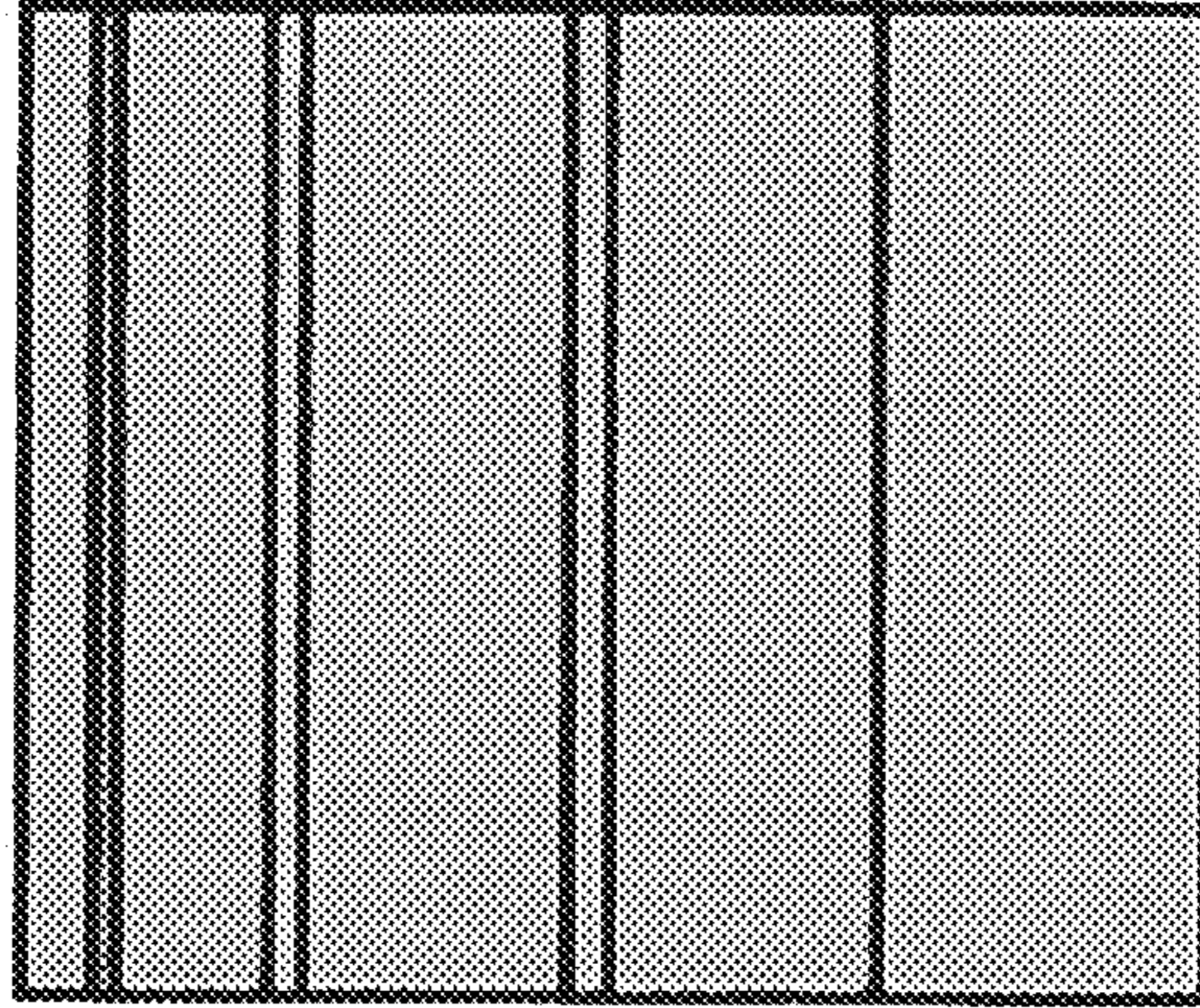


Fig. 1

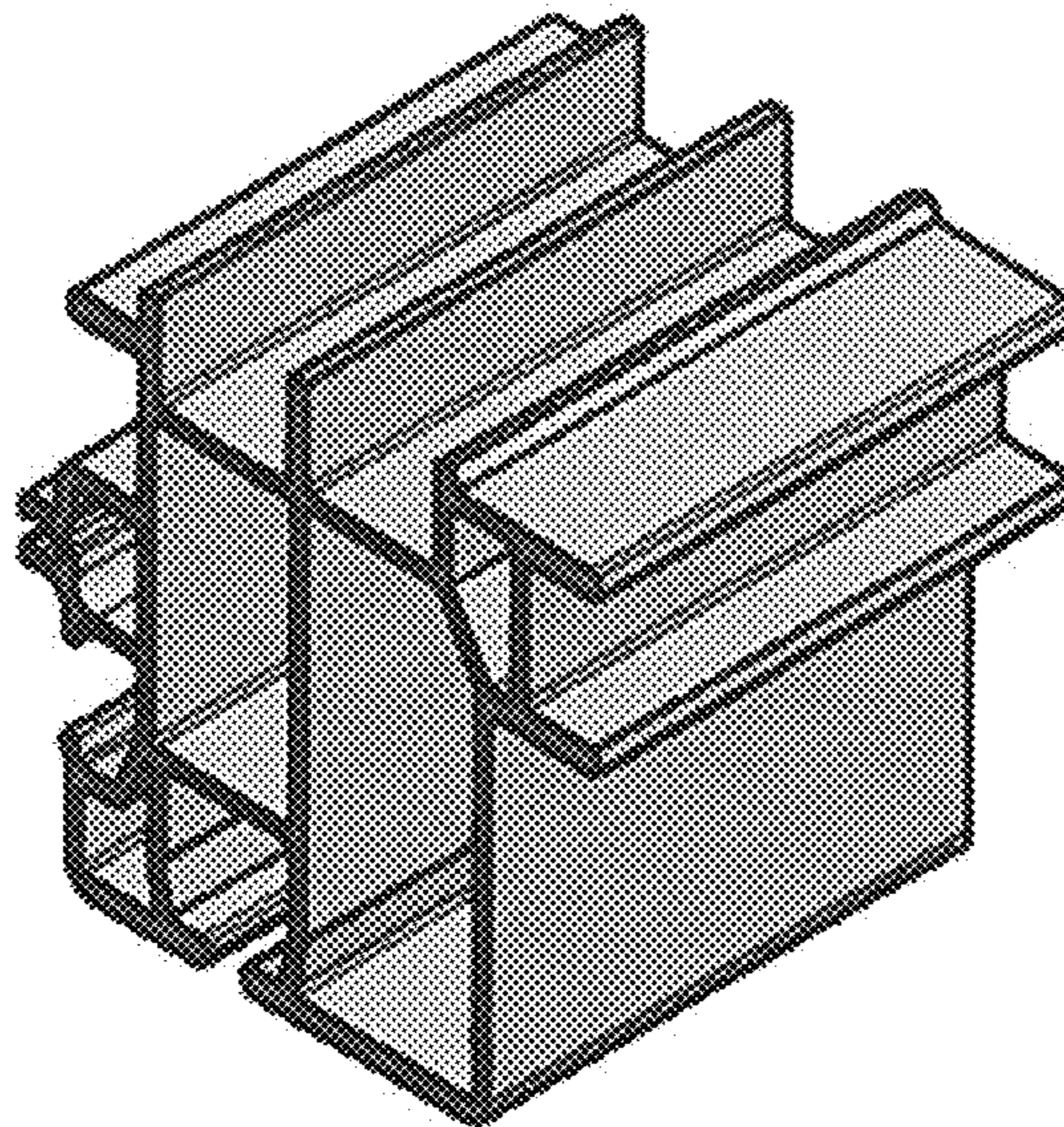


Fig. 2

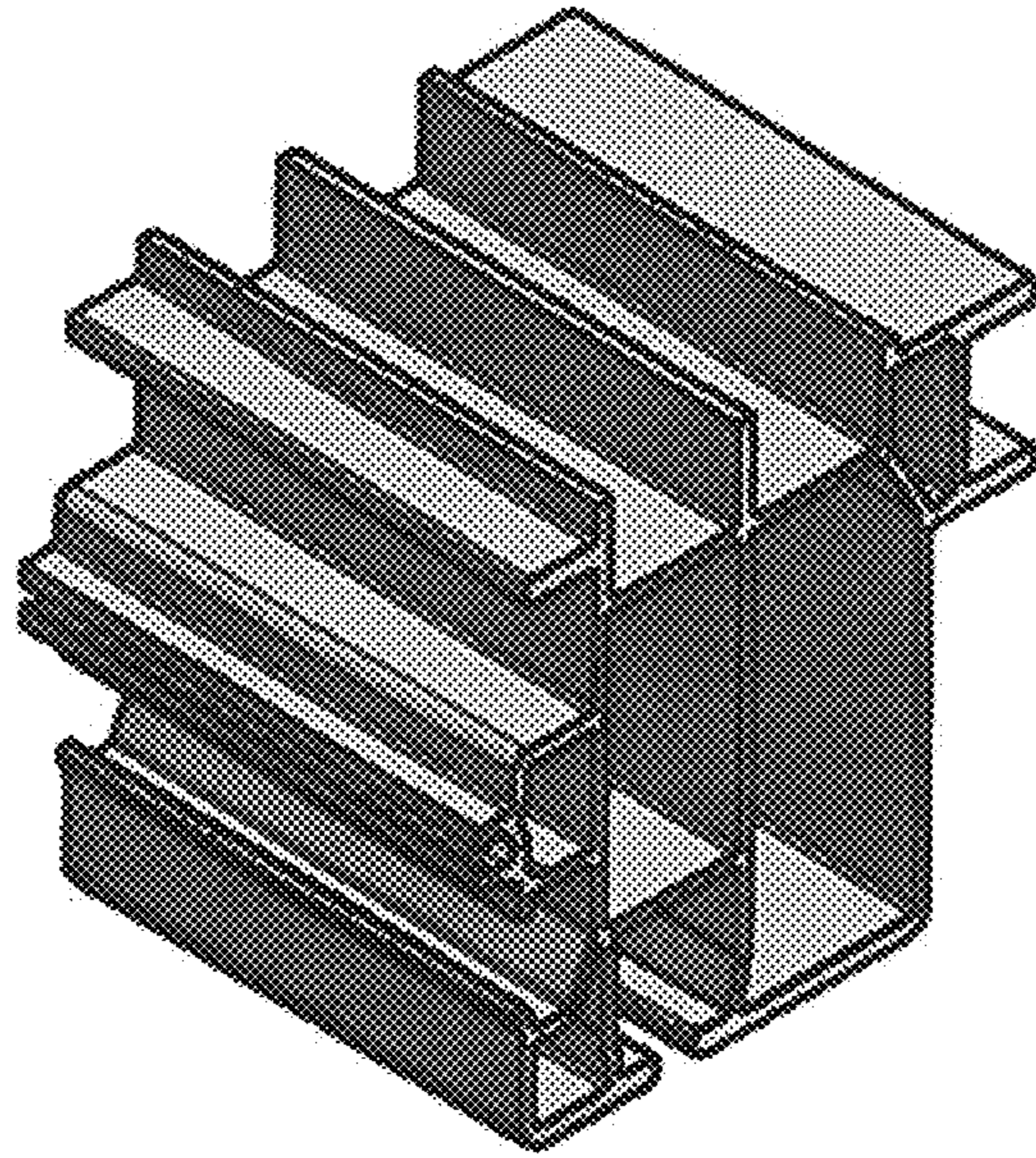


Fig. 3

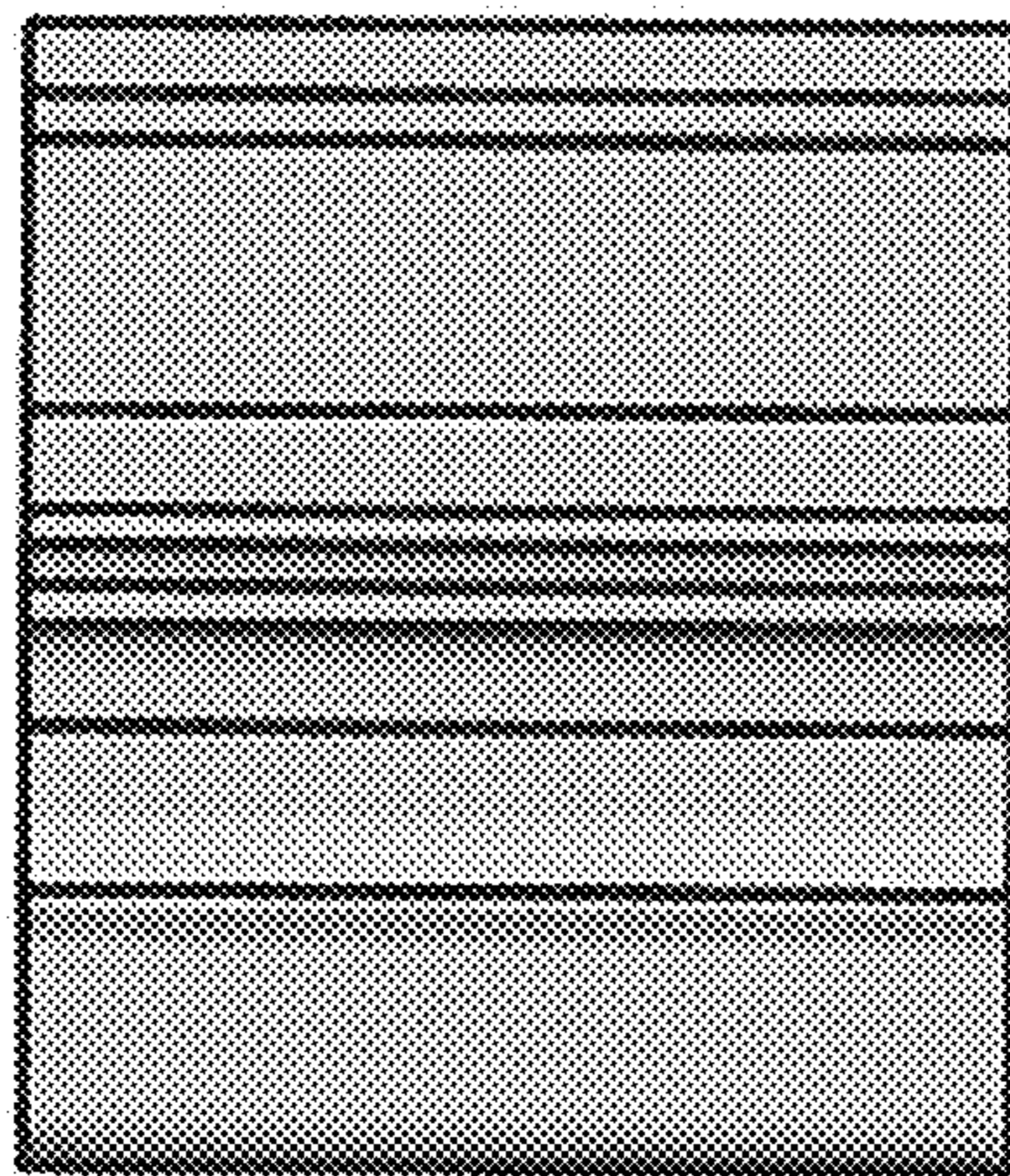


Fig. 4

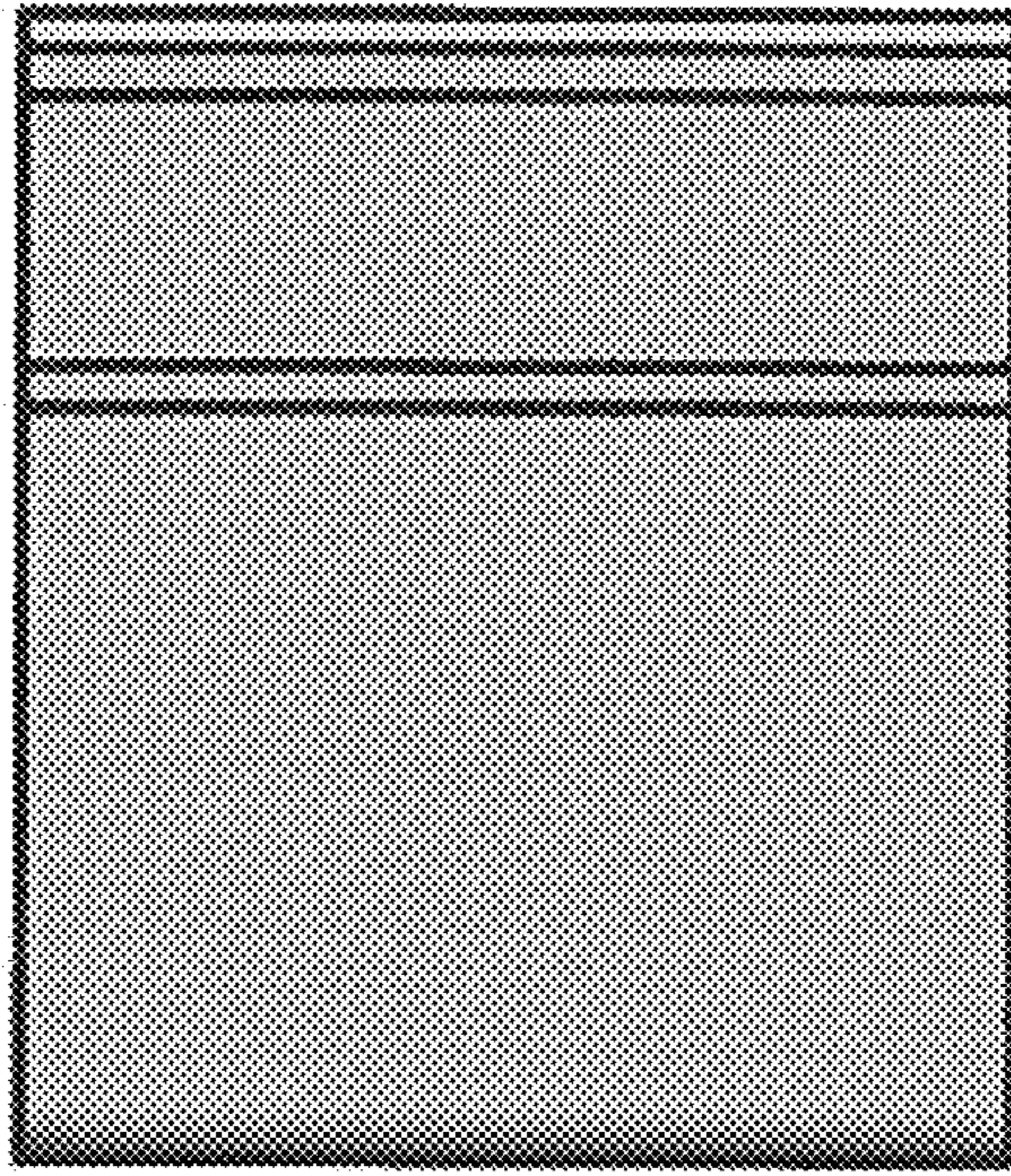


Fig. 5

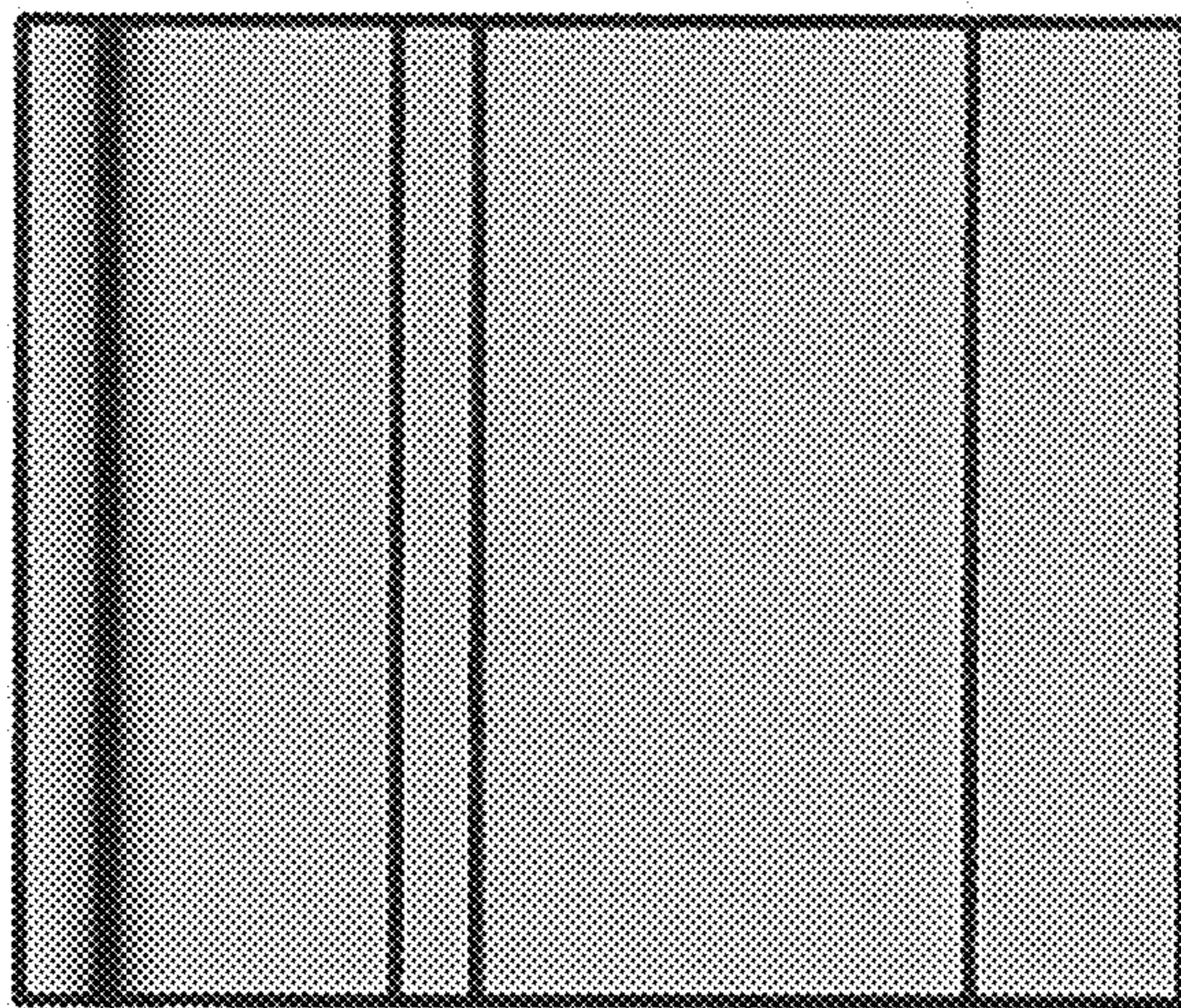


Fig. 6

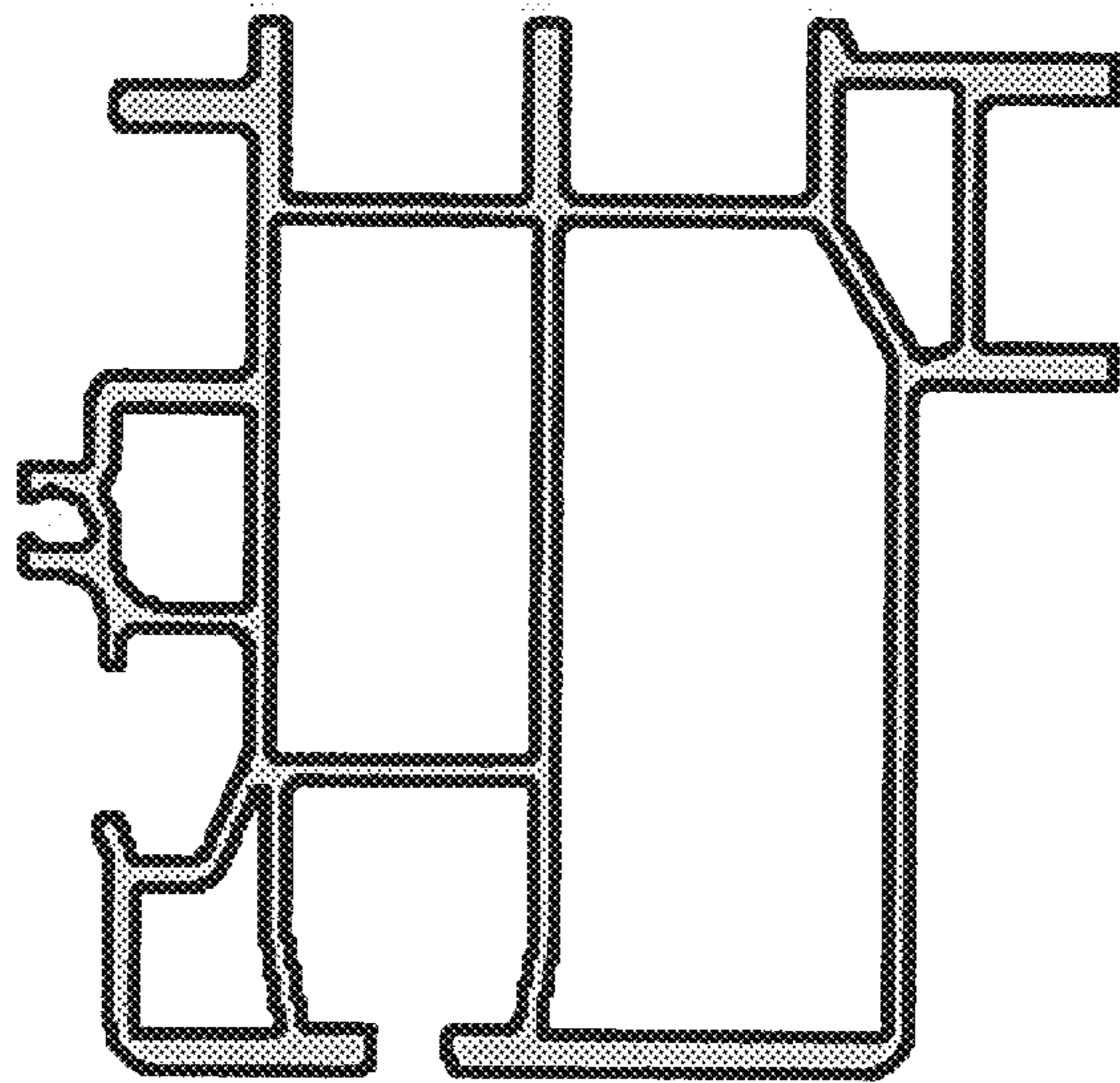


Fig. 7