



US00D753575S

(12) **United States Design Patent**  
**Capristo**

(10) **Patent No.:** **US D753,575 S**

(45) **Date of Patent:** **\*\* Apr. 12, 2016**

(54) **RIM**

(71) Applicant: **Capristo Automotive GmbH**, Sundern (DE)

(72) Inventor: **Antonio Capristo**, Sundern (DE)

(73) Assignee: **CAPRISTO AUTOMOTIVE GMBH**, Sundern (DE)

(\*\*) Term: **15 Years**

(21) Appl. No.: **29/533,722**

(22) Filed: **Jul. 21, 2015**

(30) **Foreign Application Priority Data**

Feb. 25, 2015 (EM) ..... 002640581-0001

Feb. 25, 2015 (EM) ..... 002640581-0002

Feb. 25, 2015 (EM) ..... 002640581-0003

(51) **LOC (10) Cl.** ..... **12-16**

(52) **U.S. Cl.**  
USPC ..... **D12/211**

(58) **Field of Classification Search**  
USPC ..... D12/204-213  
CPC ..... B60B 7/00; B60B 7/02; B60B 7/04;  
B60B 7/01; B60B 7/06; B60B 3/02; B60B  
3/04; B60B 3/06; B60B 3/10; B60B 1/00;  
B60B 1/08; B60B 1/10; B60B 1/12

See application file for complete search history.

(56) **References Cited**

U.S. PATENT DOCUMENTS

D456,757 S *	5/2002	Schroeder	.....	D12/211
D474,141 S *	5/2003	Foose	.....	D12/211
D535,242 S *	1/2007	Lyew	.....	D12/211
D605,999 S *	12/2009	Stopp	.....	D12/211
D622,200 S *	8/2010	Zhao	.....	D12/211
D630,567 S *	1/2011	Ettensberger	.....	D12/211
D634,252 S *	3/2011	Johnson	.....	D12/211
D641,302 S *	7/2011	Ettensberger	.....	D12/211
D642,967 S *	8/2011	Lamm	.....	D12/209
D697,860 S *	1/2014	Borkert	.....	D12/211
D703,602 S *	4/2014	Kern	.....	D12/211
D714,704 S *	10/2014	Kim	.....	D12/211
D730,261 S *	5/2015	Johnson	.....	D12/211
D731,944 S *	6/2015	Kern	.....	D12/211

\* cited by examiner

*Primary Examiner* — Stacia Cadmus

(74) *Attorney, Agent, or Firm* — Perkins Coie LLP

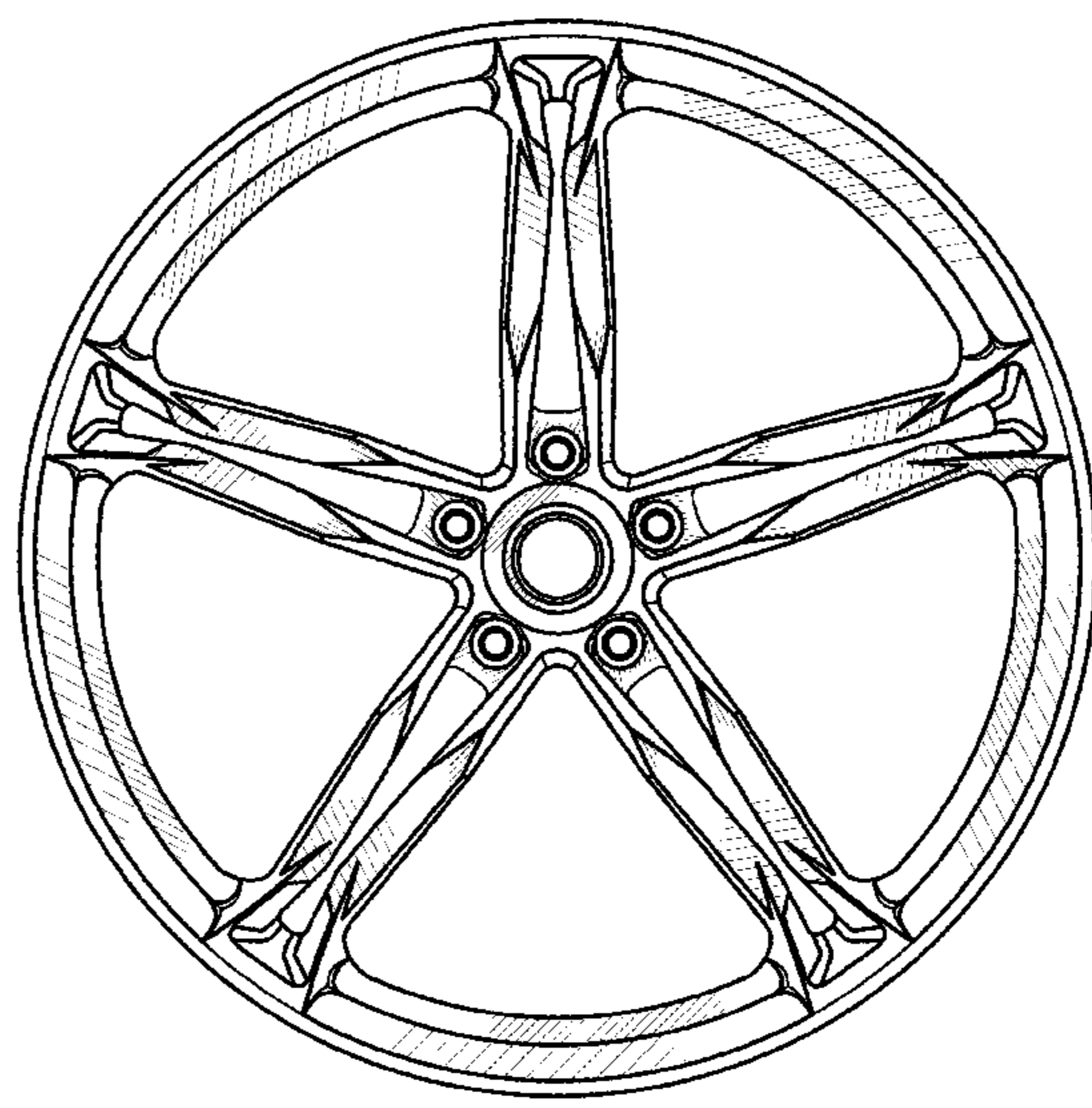
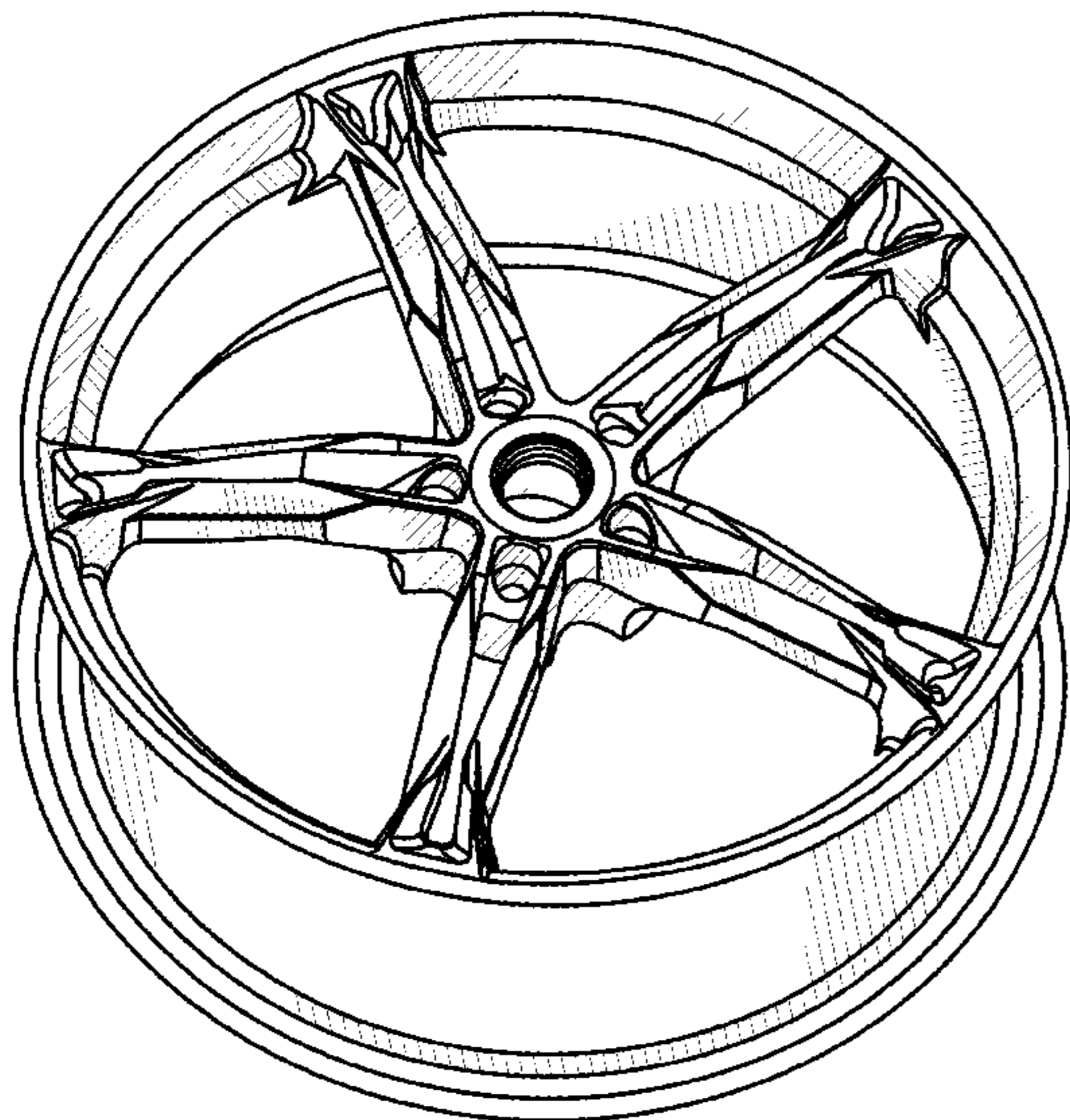
(57) **CLAIM**

The ornamental design for rim, as shown and described.

**DESCRIPTION**

FIG. 1 is a perspective view of a rim;  
FIG. 2 is a perspective front view thereof;  
FIG. 3 is a top view thereof;  
FIG. 4 is a perspective rear view thereof;  
FIG. 5 is a bottom view thereof; and,  
FIG. 6 is a side view thereof.

**1 Claim, 5 Drawing Sheets**



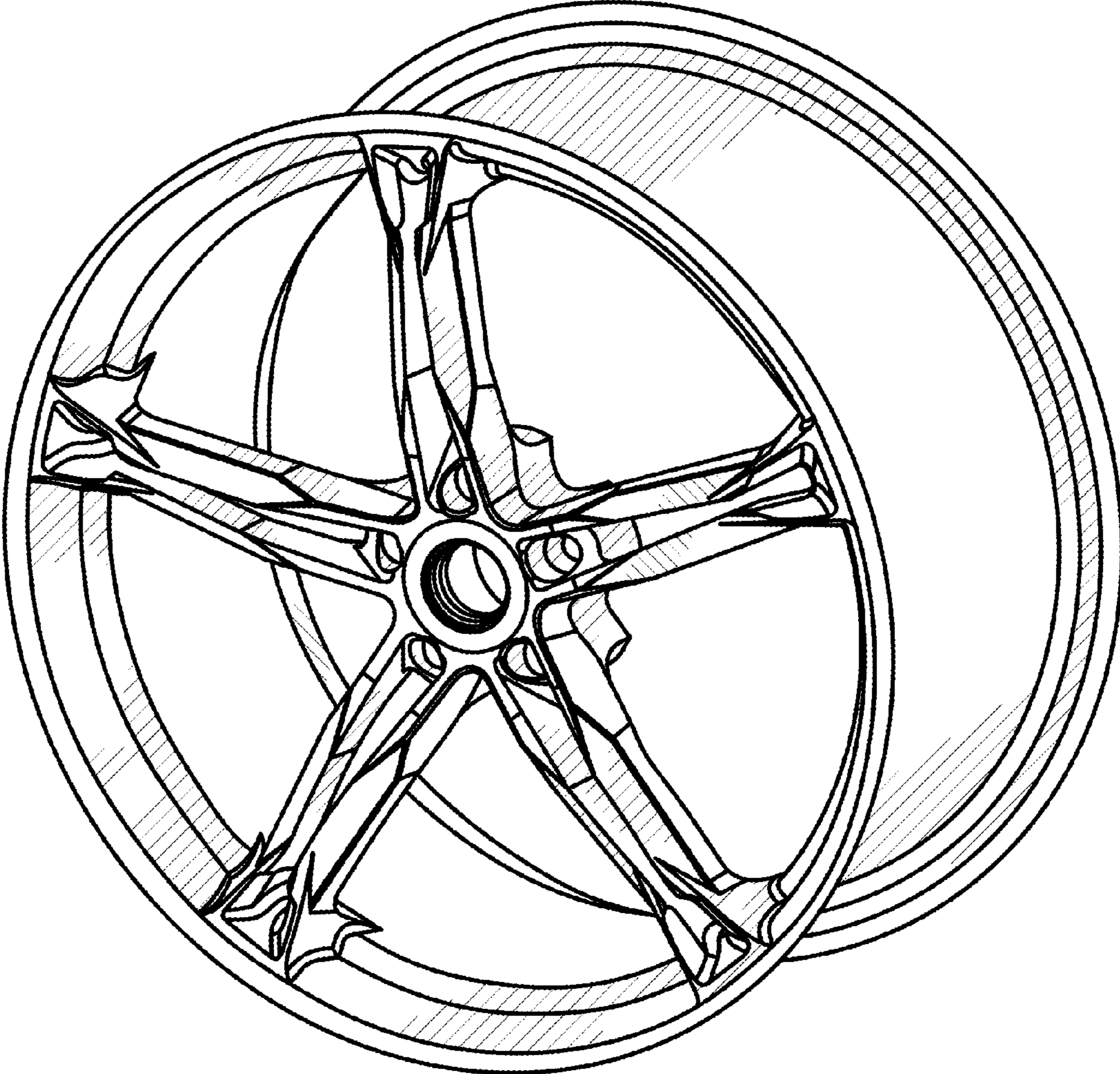


FIG.1

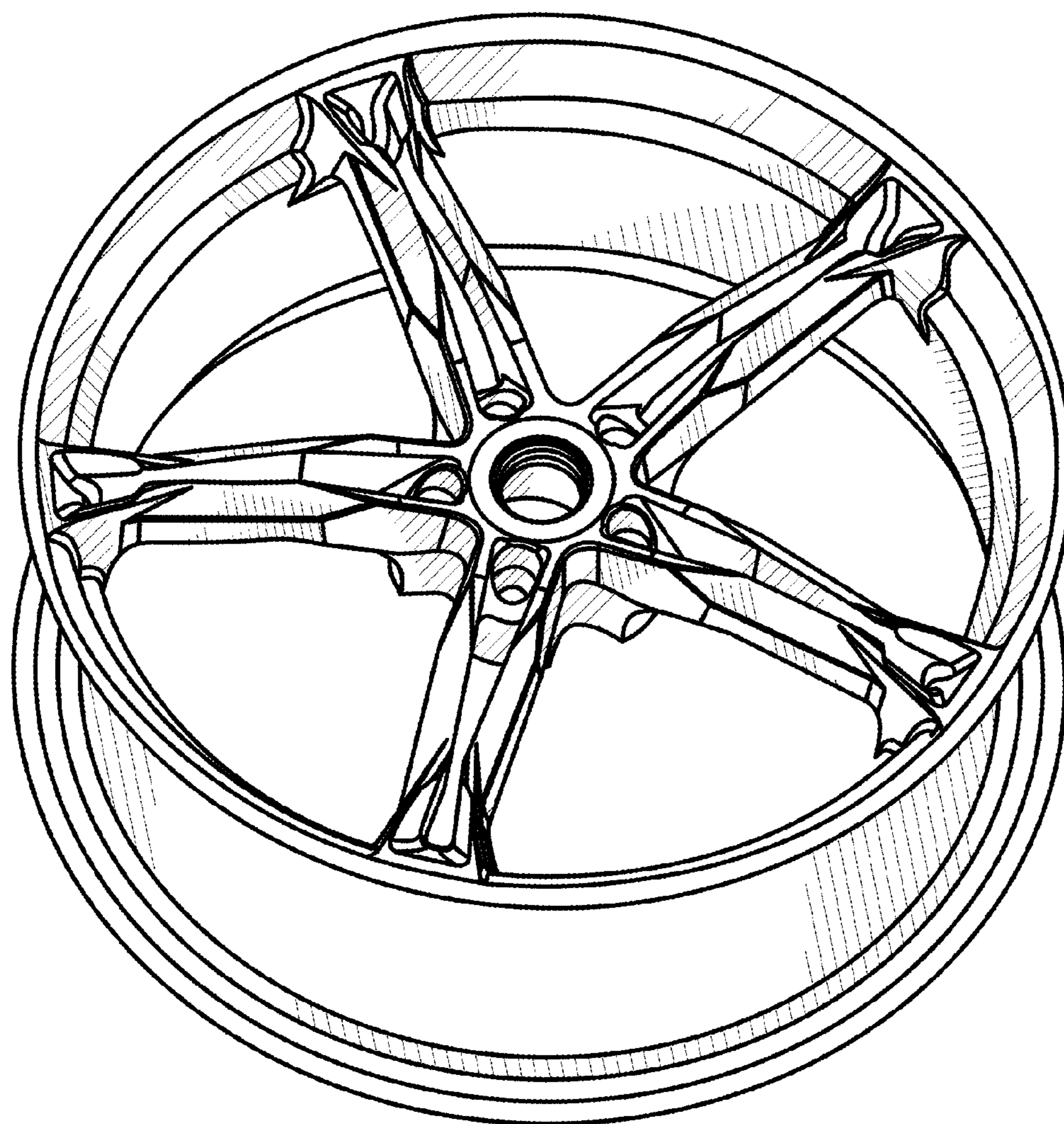


FIG.2

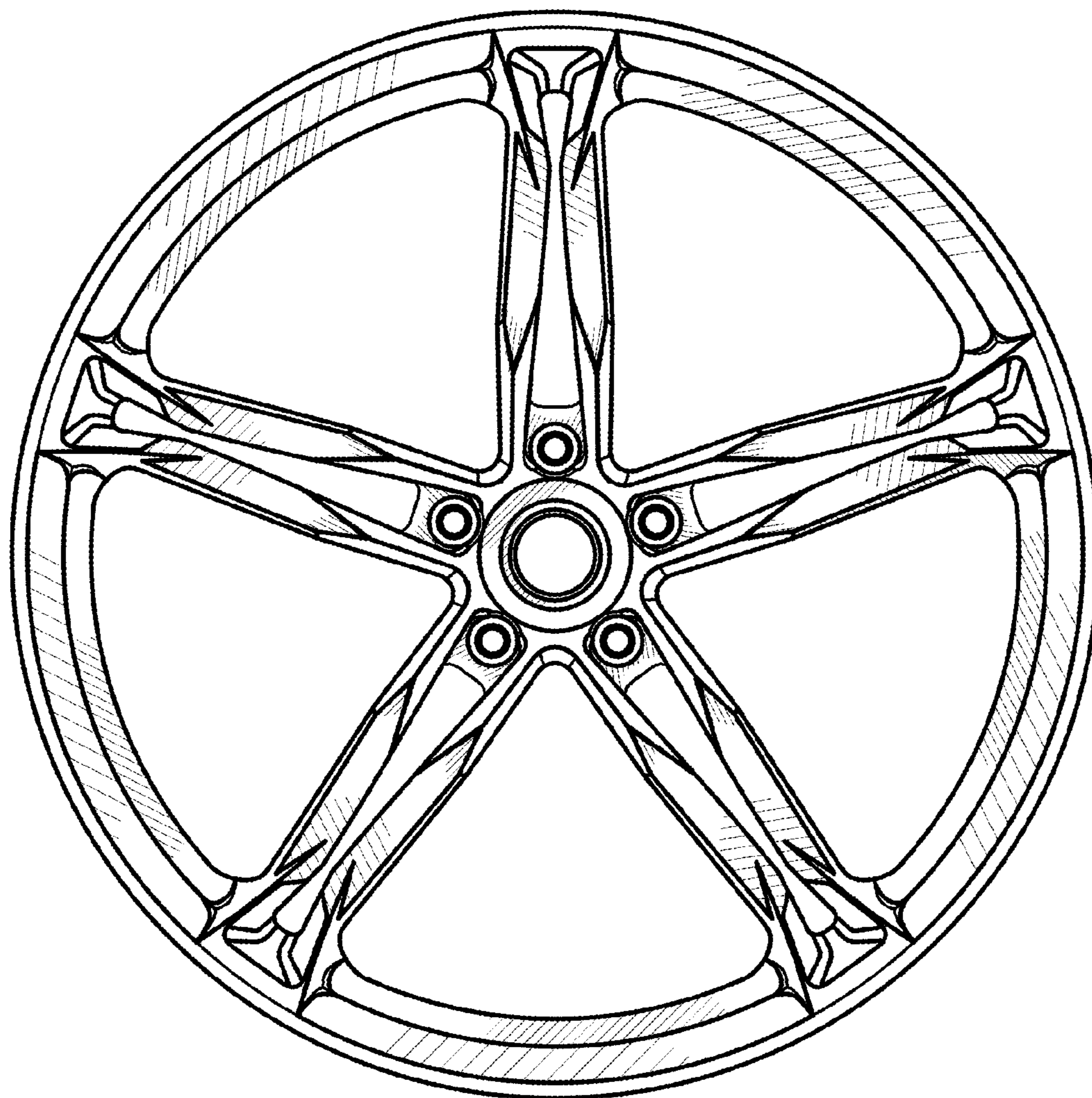


FIG.3

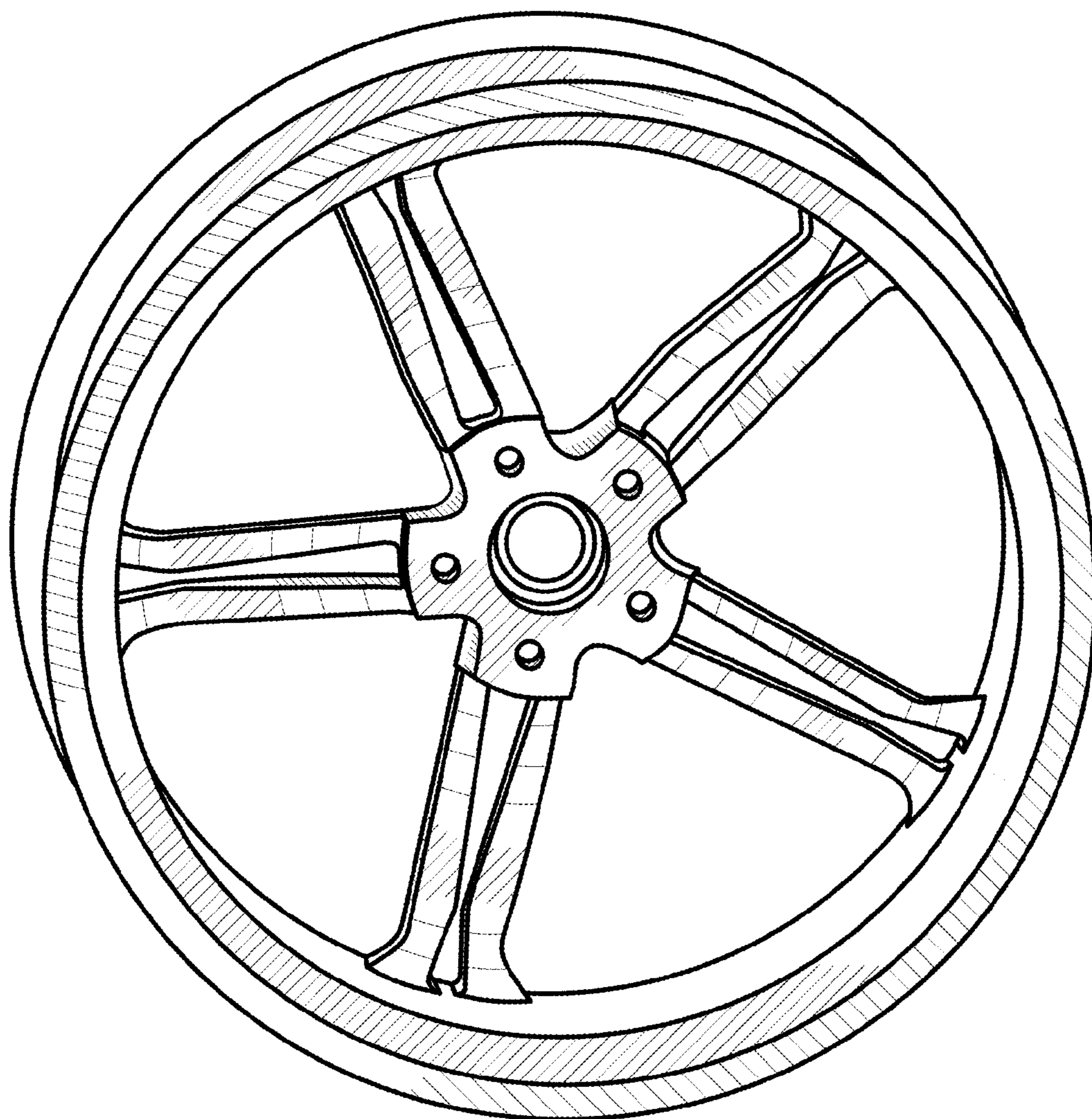


FIG.4

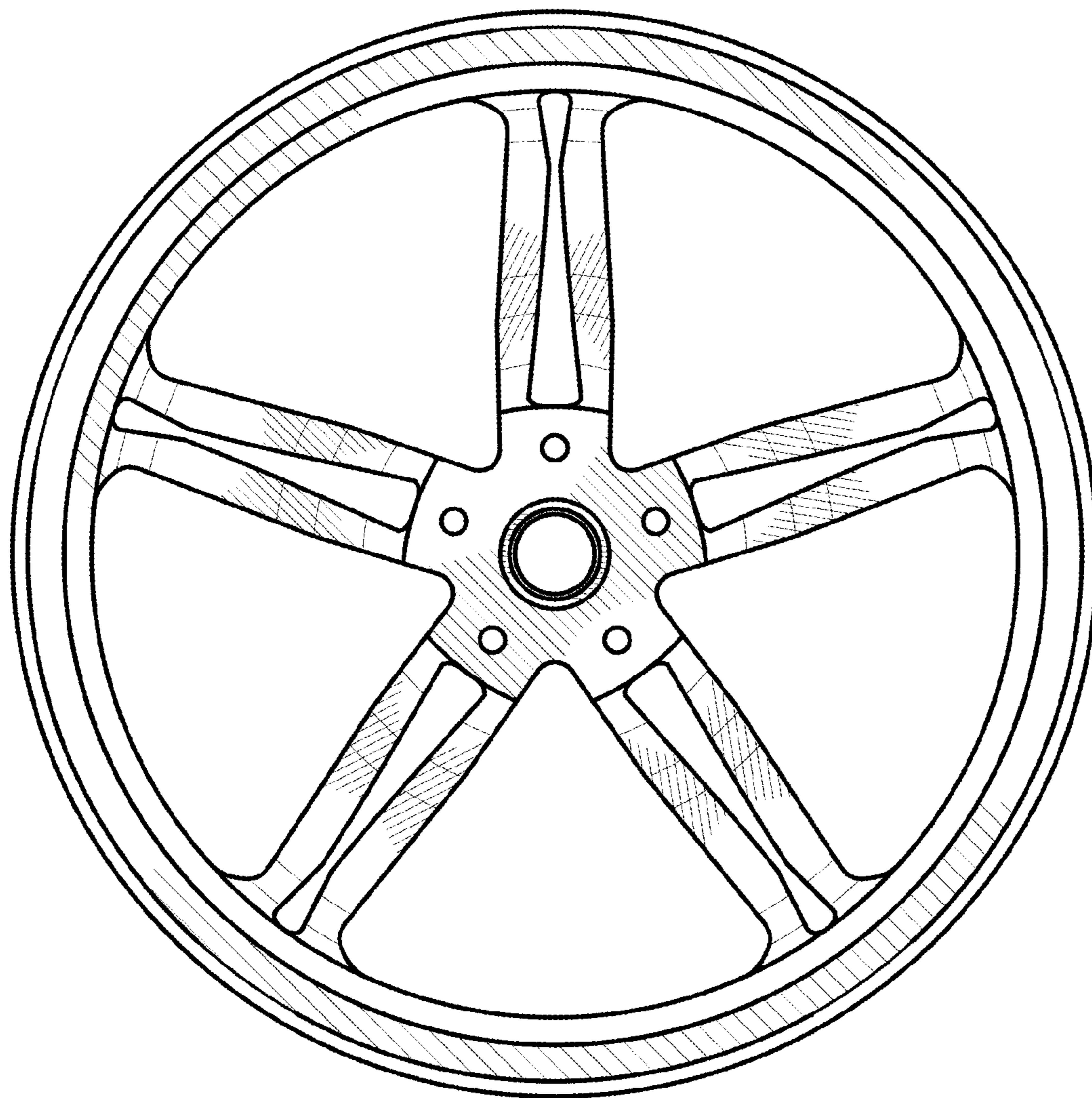


FIG. 5