



US00D753569S

(12) **United States Design Patent**
Chung

(10) **Patent No.:** **US D753,569 S**
(45) **Date of Patent:** **** *Apr. 12, 2016**

- (54) **WHEEL**
- (71) Applicant: **Wheel Pros, LLC**, Lakewood, CO (US)
- (72) Inventor: **Suny Chung**, Yorba Linda, CA (US)
- (73) Assignee: **Wheel Pros, LLC**, Greenwood Village, CO (US)
- (*) Notice: This patent is subject to a terminal disclaimer.
- (**) Term: **14 Years**
- (21) Appl. No.: **29/476,314**
- (22) Filed: **Dec. 12, 2013**

Related U.S. Application Data

- (62) Division of application No. 29/435,797, filed on Oct. 29, 2012, now Pat. No. Des. 702,172.
- (51) **LOC (10) Cl.** **12-16**
- (52) **U.S. Cl.**
USPC **D12/209**
- (58) **Field of Classification Search**
USPC D12/204–213
CPC B60B 7/00; B60B 7/02; B60B 7/04;
B60B 7/01; B60B 7/06; B60B 3/02; B60B
3/04; B60B 3/06; B60B 3/10; B60B 1/00;
B60B 1/08; B60B 1/10; B60B 1/12
See application file for complete search history.

(56) **References Cited**

U.S. PATENT DOCUMENTS

- D526,265 S * 8/2006 Muzzarelli D12/209
- D527,327 S * 8/2006 Laengerer D12/211

- D554,036 S * 10/2007 Chung D12/209
- D571,274 S * 6/2008 Chung D12/209
- D584,673 S * 1/2009 Chung D12/209
- D613,658 S * 4/2010 Cortes D12/209
- D649,107 S * 11/2011 Hale, Jr. D12/211
- D675,971 S * 2/2013 Lee D12/209
- D678,156 S * 3/2013 Gotschke D12/209
- D680,047 S * 4/2013 Hale, Jr. D12/209
- D682,762 S * 5/2013 Hale, Jr. D12/209
- D695,182 S * 12/2013 Chung D12/209
- D701,480 S * 3/2014 Kong D12/209
- D715,211 S * 10/2014 Gotschke D12/204
- D715,717 S * 10/2014 Hodges D12/209
- D719,890 S * 12/2014 Johnson D12/209
- D719,893 S * 12/2014 Kim D12/211

* cited by examiner

Primary Examiner — Stacia Cadmus

(74) *Attorney, Agent, or Firm* — Garcia-Zamor IP Law; Ruy M. Garcia-Zamor

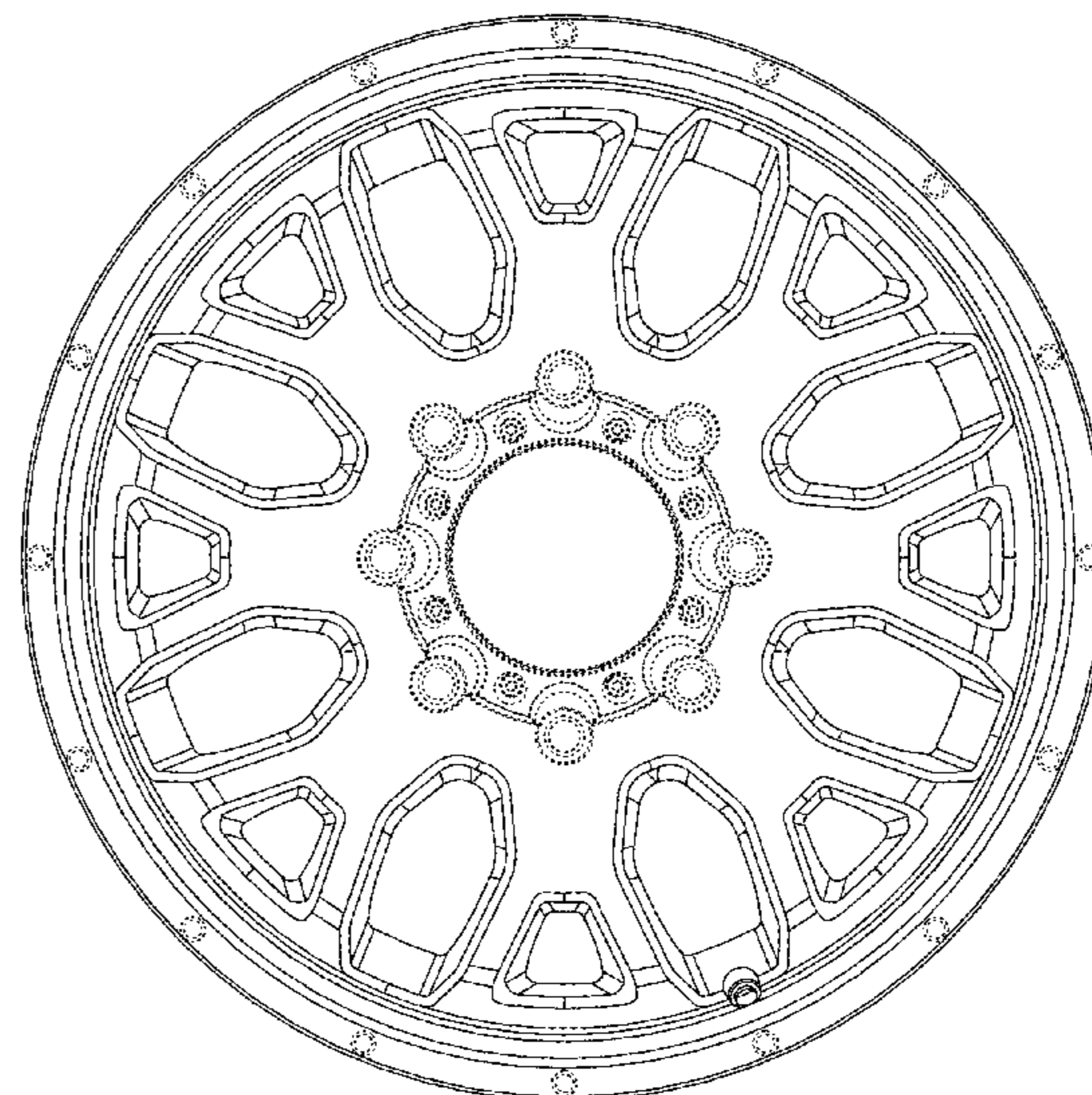
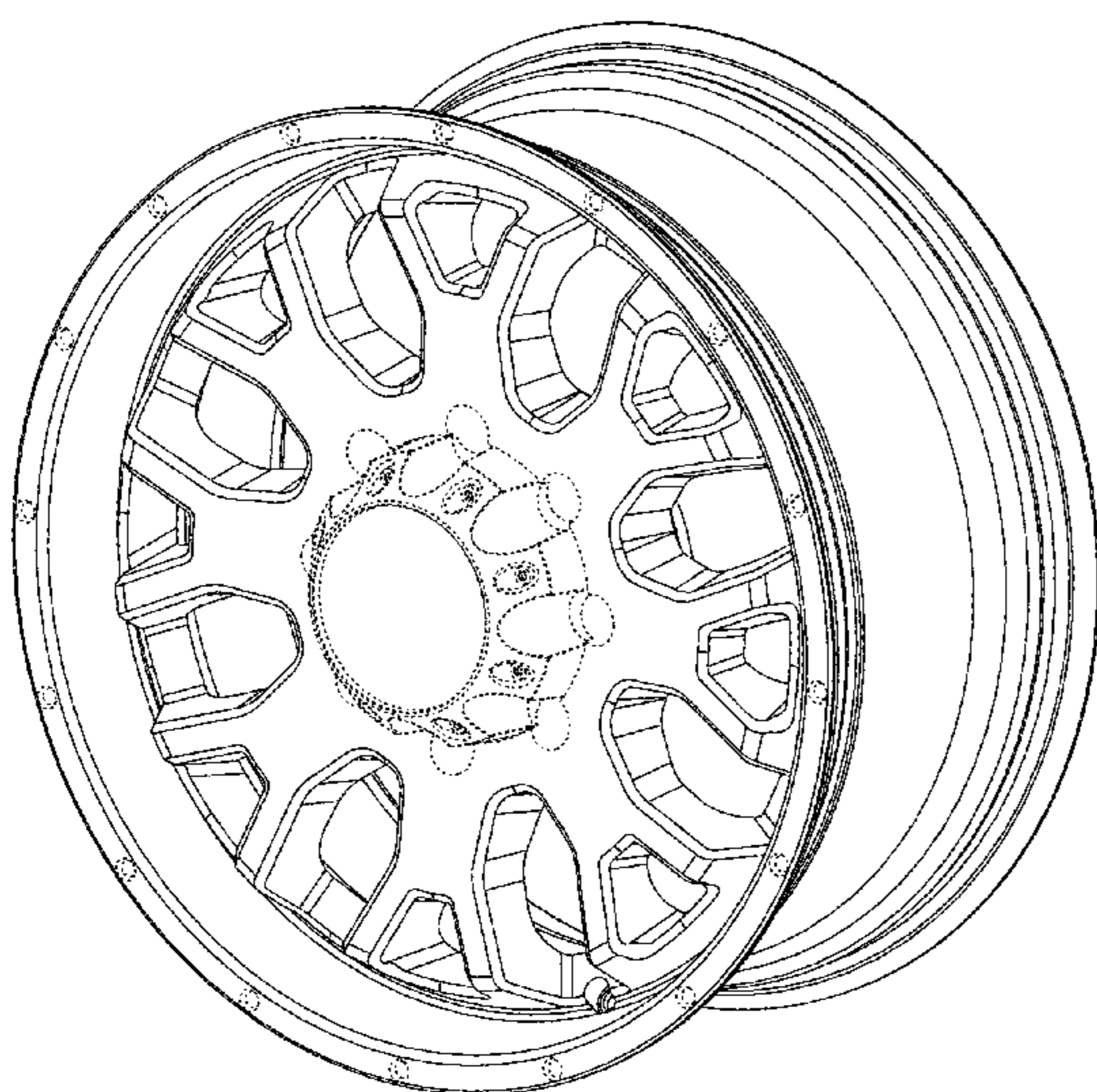
(57) **CLAIM**

The ornamental design for a wheel, as shown and described.

DESCRIPTION

FIG. 1 is a perspective view of a wheel showing my new design; and, FIG. 2 is a front elevational view of the wheel of FIG. 1, those features not shown in the views of FIGS. 1 and 2 are disclaimed as forming no part of the claimed design. The broken line showing of the central hub area, center cap, and the round elements around the lip of the rim is included for the purpose of illustrating environment and forms no part of the claimed design.

1 Claim, 2 Drawing Sheets



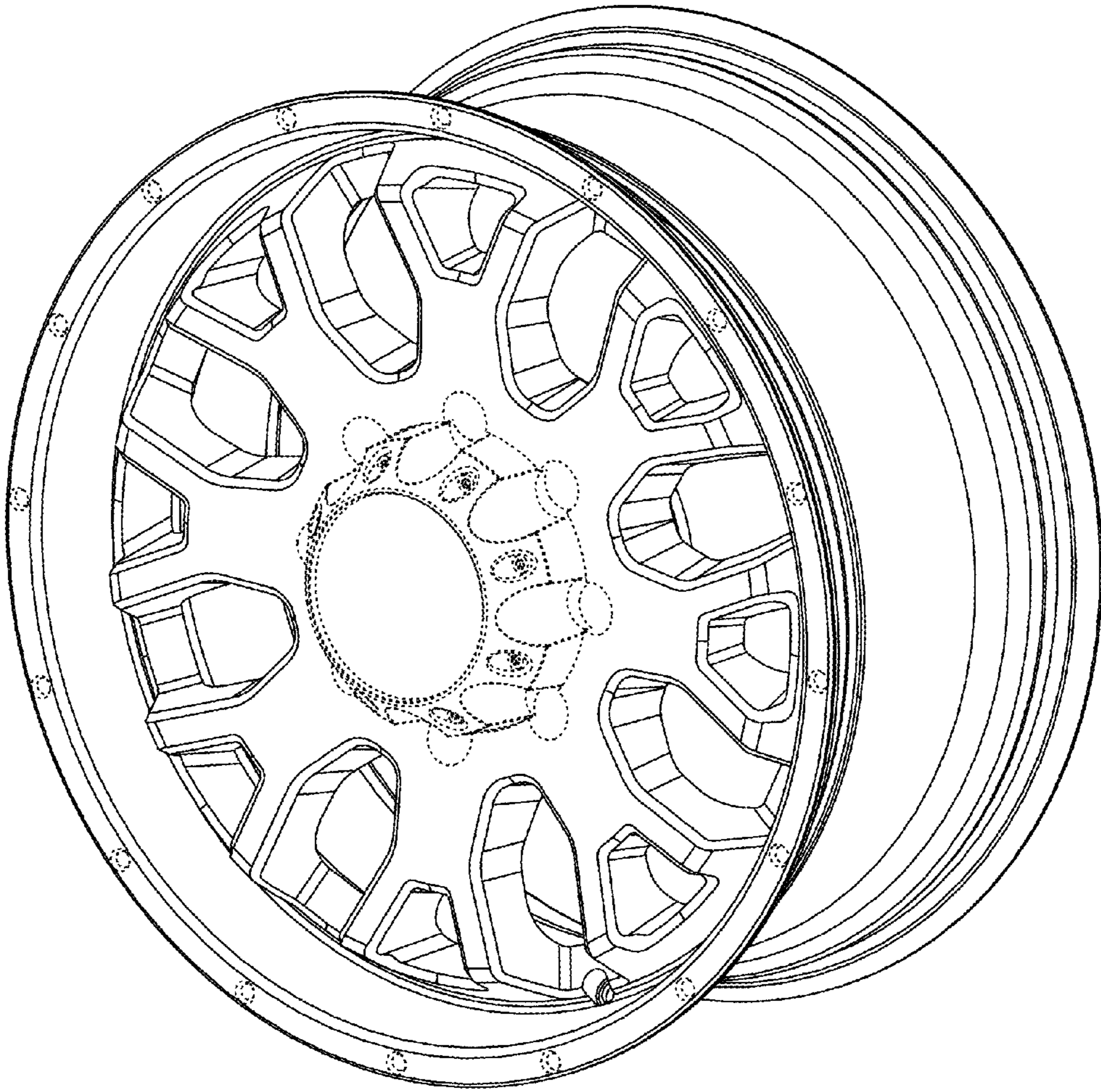


FIG. 1

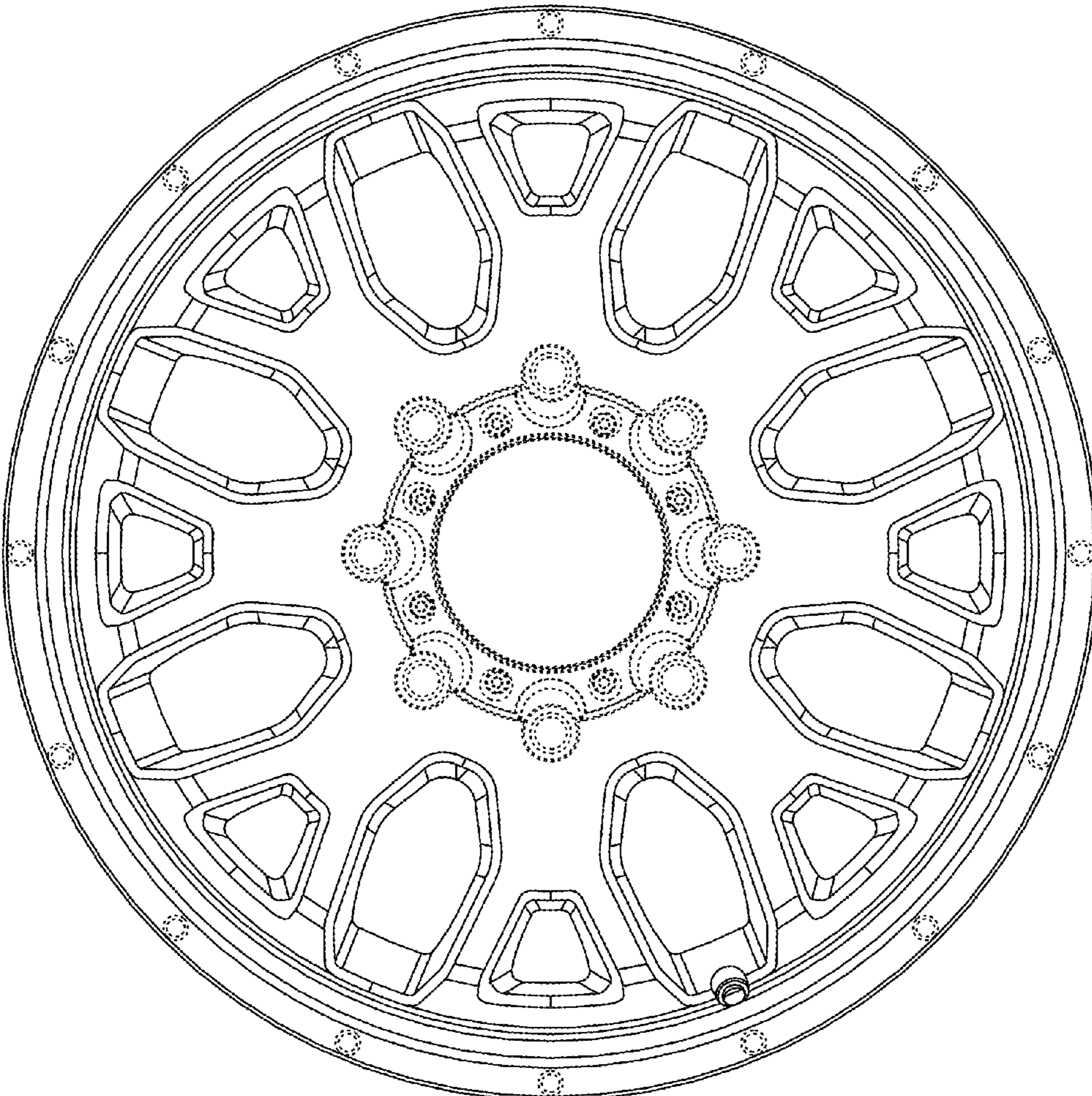


FIG. 2