



US00D753568S

(12) **United States Design Patent**  
**Warden**

(10) **Patent No.:** **US D753,568 S**  
(45) **Date of Patent:** **\*\* Apr. 12, 2016**

(54) **PAIR OF DECORATIVE PANELS FOR PICK-UP TRUCK BED**

(71) Applicant: **Joseph J. Warden**, Belleville, WI (US)

(72) Inventor: **Joseph J. Warden**, Belleville, WI (US)

(\*\*) Term: **14 Years**

(21) Appl. No.: **29/504,440**

(22) Filed: **Oct. 6, 2014**

(51) **LOC (10) Cl.** ..... **12-16**

(52) **U.S. Cl.**  
USPC ..... **D12/196**

(58) **Field of Classification Search**  
USPC ..... D12/93, 167, 181, 190, 196, 199, 222,  
D12/406, 414, 414.1, 412; 296/1.07, 1.08,  
296/26.04, 26.05, 37.6, 180.1, 180.2, 180.3,  
296/181.1, 181.2, 181.3, 181.4, 181.5;  
280/727, 756; 224/402, 403, 404  
CPC ..... B62D 35/008  
See application file for complete search history.

(56) **References Cited**

**U.S. PATENT DOCUMENTS**

D250,461 S *	12/1978	Bott	.....	D12/414
D286,143 S *	10/1986	Lund	.....	D12/181
D305,633 S *	1/1990	Kingsley	.....	D12/190
D314,545 S *	2/1991	Hutchins	.....	D12/181
5,018,779 A *	5/1991	Lund	.....	B62D 35/007 296/180.1
D332,072 S *	12/1992	Shirlin	.....	D12/190
D345,331 S *	3/1994	Smith	.....	D12/222
D424,477 S *	5/2000	Lund	.....	D12/98
6,883,848 B1 *	4/2005	Iverson	.....	B62D 35/001 280/756
6,983,977 B1 *	1/2006	Kozak	.....	B62D 35/001 296/180.1
D514,997 S *	2/2006	Hall	.....	D12/196
D528,964 S *	9/2006	Storer	.....	D12/222
2007/0176447 A1 *	8/2007	Storer	.....	B60R 13/005 296/3

**OTHER PUBLICATIONS**

“Lund Racerback/Cab Fairings for 93+ Rangers”. Found online Dec. 14, 2015 at ranger-forums.com. Page dated Apr. 8, 2012. Retrieved from <http://www.ranger-forums.com/interior-exterior-electrical-misc-119/lund-racerback-cab-fairings-93-rangers-sd-132876/>.  
“Go Rhino—Xtreme Rack Sport Bar”. Found online Dec. 14, 2015 at carid.com. Page dated Jun. 23, 2012. Retrieved from <http://www.carid.com/go-rhino/xtreme-rack-sport-bar.html>.  
“Shelby Bed/Rear Cab Wedges??” Found online Dec. 14, 2015 at dodgeforum.com. Page dated Sep. 30, 2012. Retrieved from <http://dodgeforum.com/forum/1st-gen-dakota/309214-shelby-bed-rear-cab-wedges-2.html>.

(Continued)

*Primary Examiner* — Robert M Spear  
*Assistant Examiner* — Kendra L Hamilton  
(74) *Attorney, Agent, or Firm* — Stiennon & Stiennon

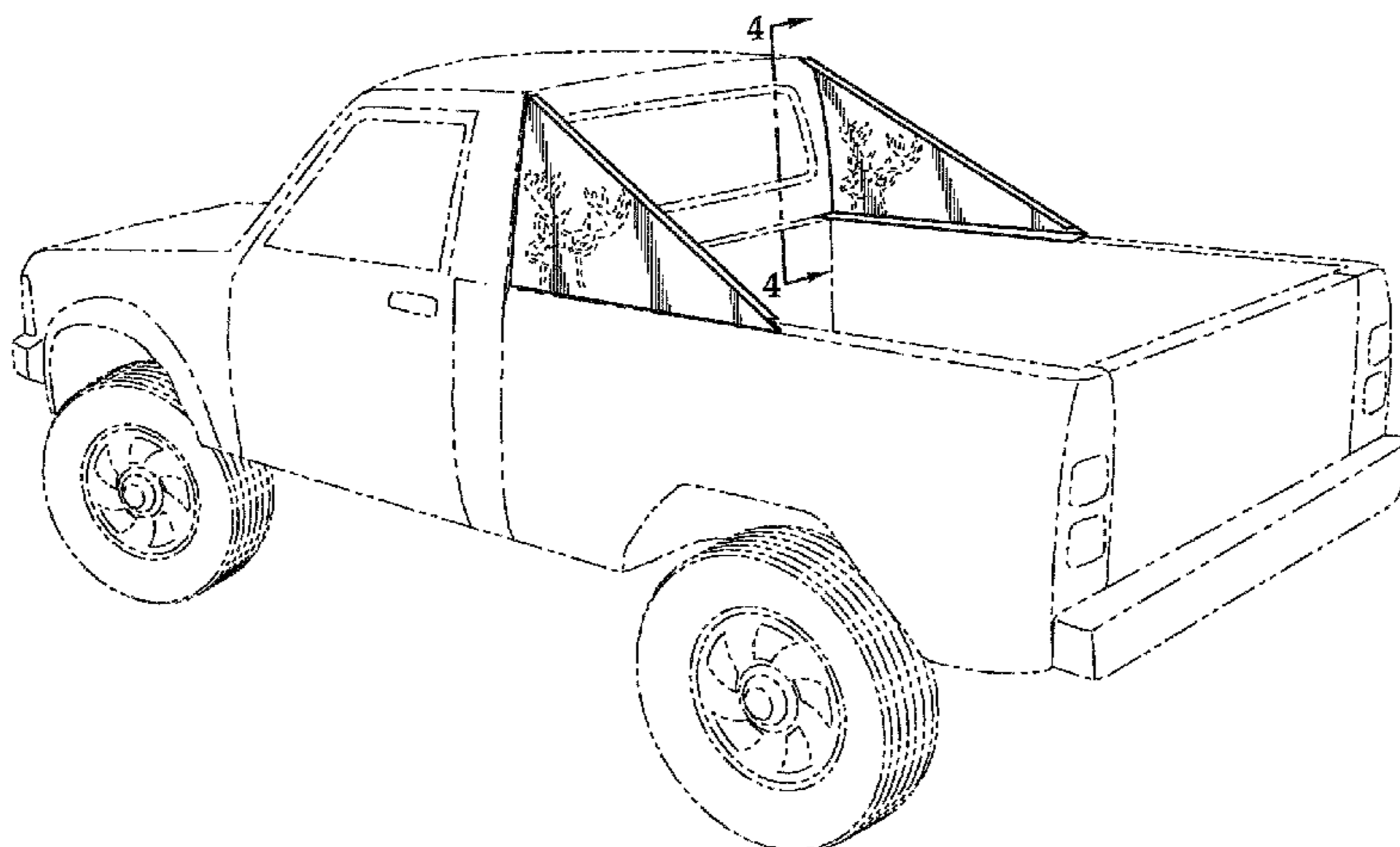
(57) **CLAIM**

The ornamental design for a pair of decorative panels for pick-up truck bed, as shown and described.

**DESCRIPTION**

FIG. 1 is a left rear perspective view of a pair of decorative panels for pick-up truck bed, shown in condition of use;  
FIG. 2 is a left side elevational view thereof;  
FIG. 3 is a right side elevational view thereof;  
FIG. 4 side elevational view taken in the direction of line 4-4 of FIG. 1;  
FIG. 5 is a rear elevational view thereof;  
FIG. 6 is a front elevational view thereof;  
FIG. 7 is a top plan view thereof; and,  
FIG. 8 is a bottom plan view thereof.  
In the drawings, the evenly-spaced broken lines represent unclaimed subject matter and form no part of the claimed design. Additionally, the dash-dot-dot-dash broken line showing of a pick-up truck discloses environmental structure that forms no part of the claimed design.

**1 Claim, 3 Drawing Sheets**



(56)

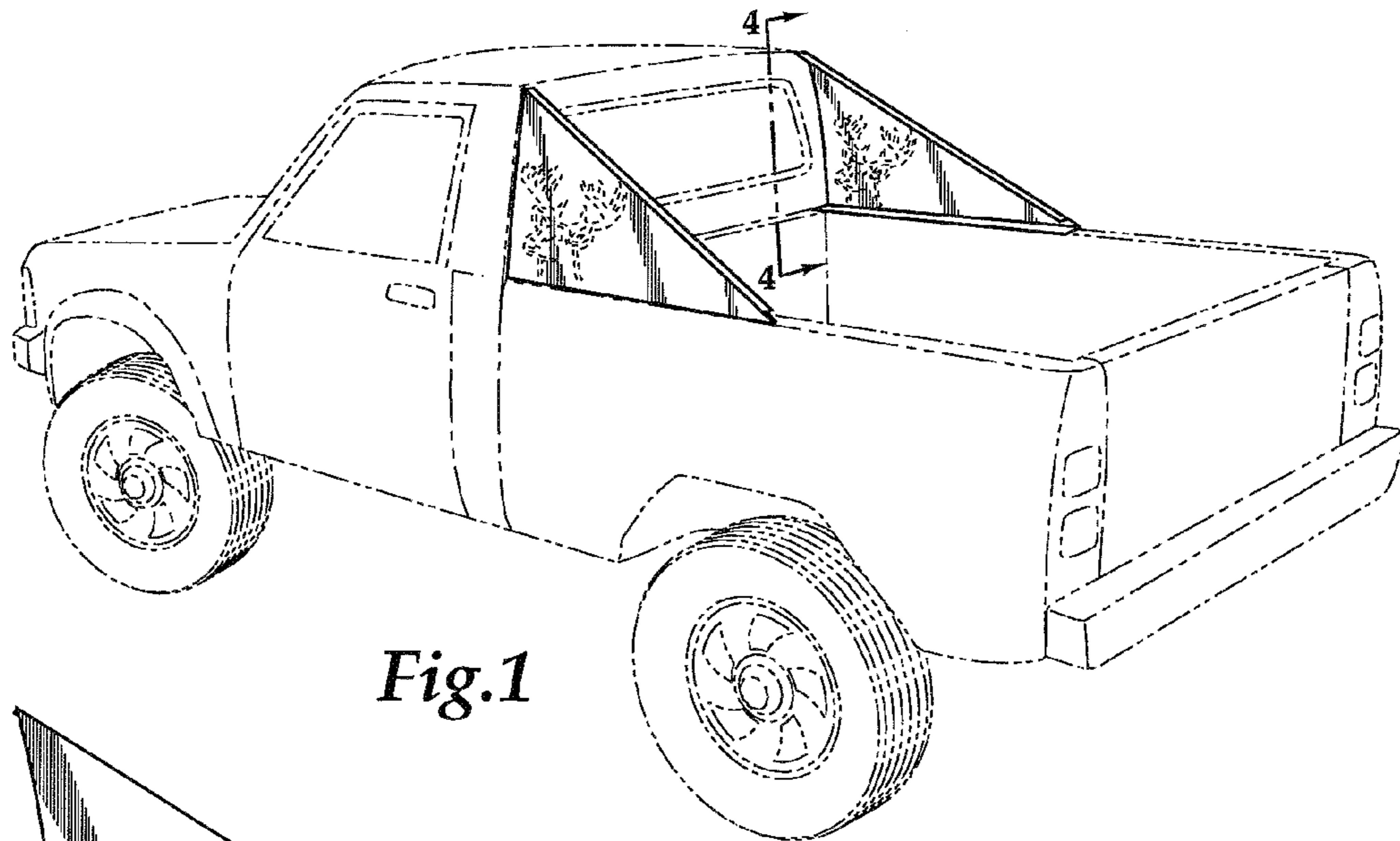
**References Cited**

OTHER PUBLICATIONS

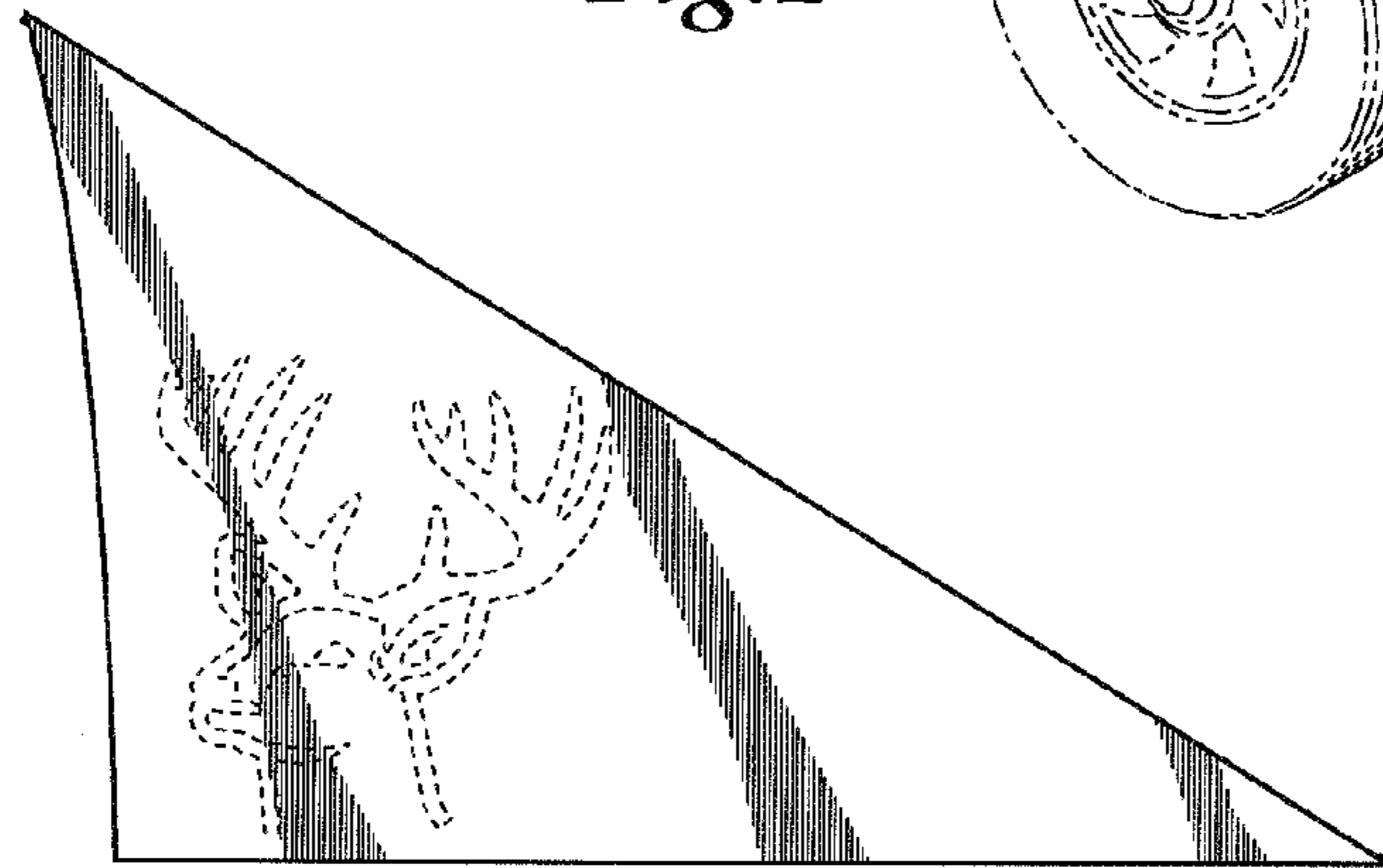
“Lund 13212 Fastback Cab Fairing”. Found online Dec. 14, 2015 at amazon.com. Page dated Mar. 14, 2005. Retrieved from <http://www.amazon.com/Lund-13212-Fastback-Cab-Fairing/dp/B000BN74UA>.\*

“Cadillac Escalade EXT” Printout from <http://www.topspeed.com/trucks/truck-reviews/cadillac/cadillac-escalade-ext-ar134213.html>, downloaded on Oct. 6, 2014.

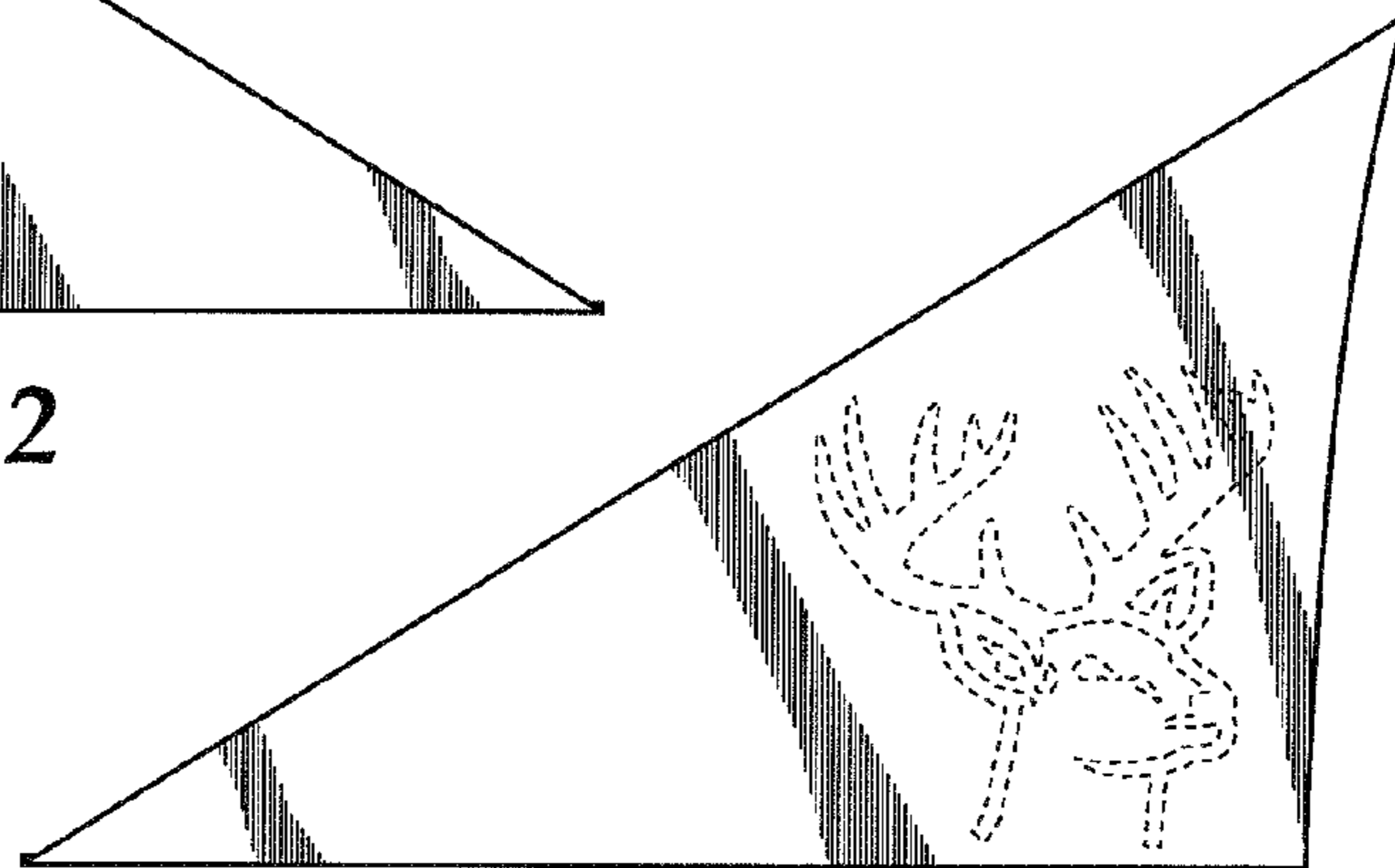
\* cited by examiner



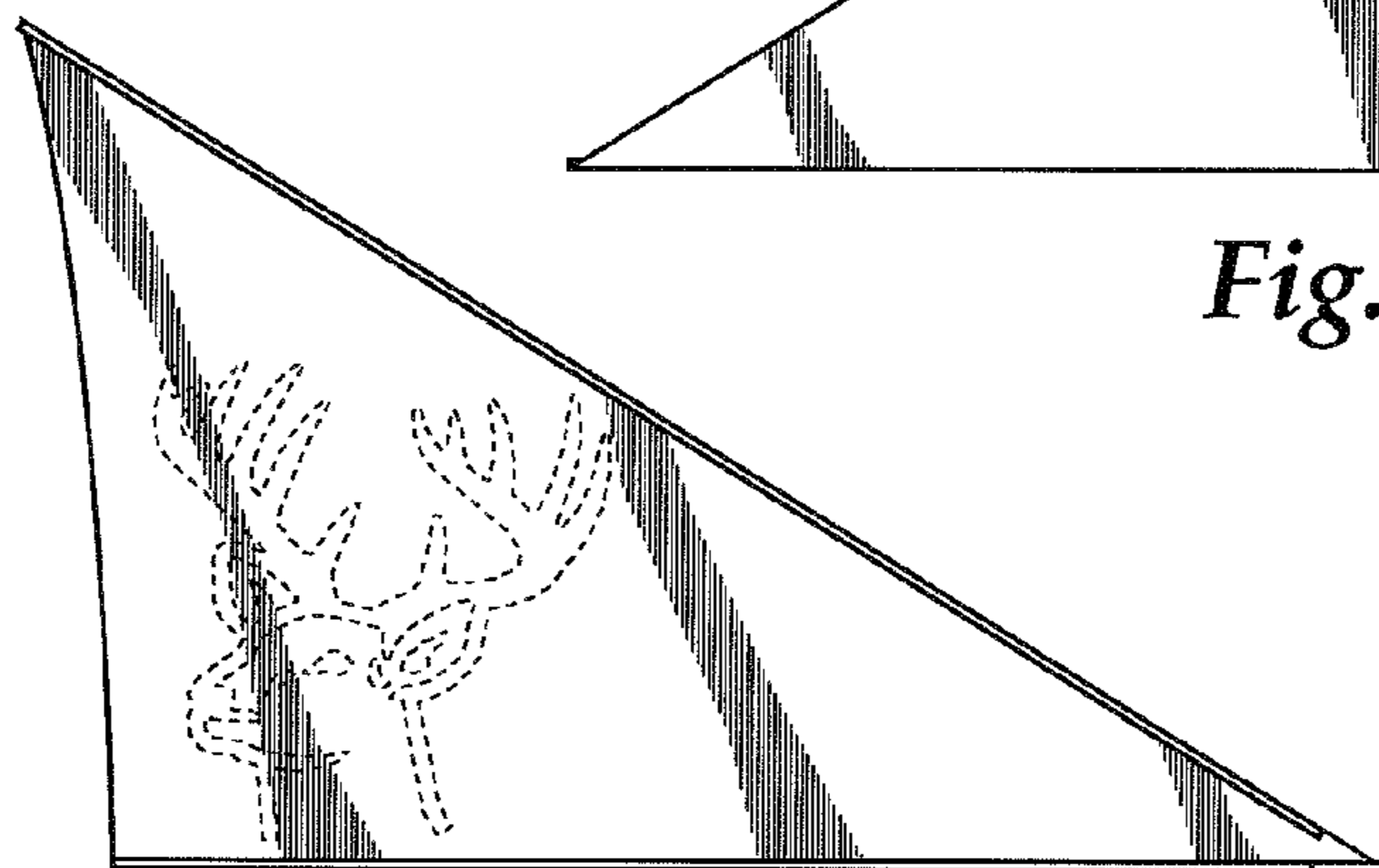
*Fig.1*



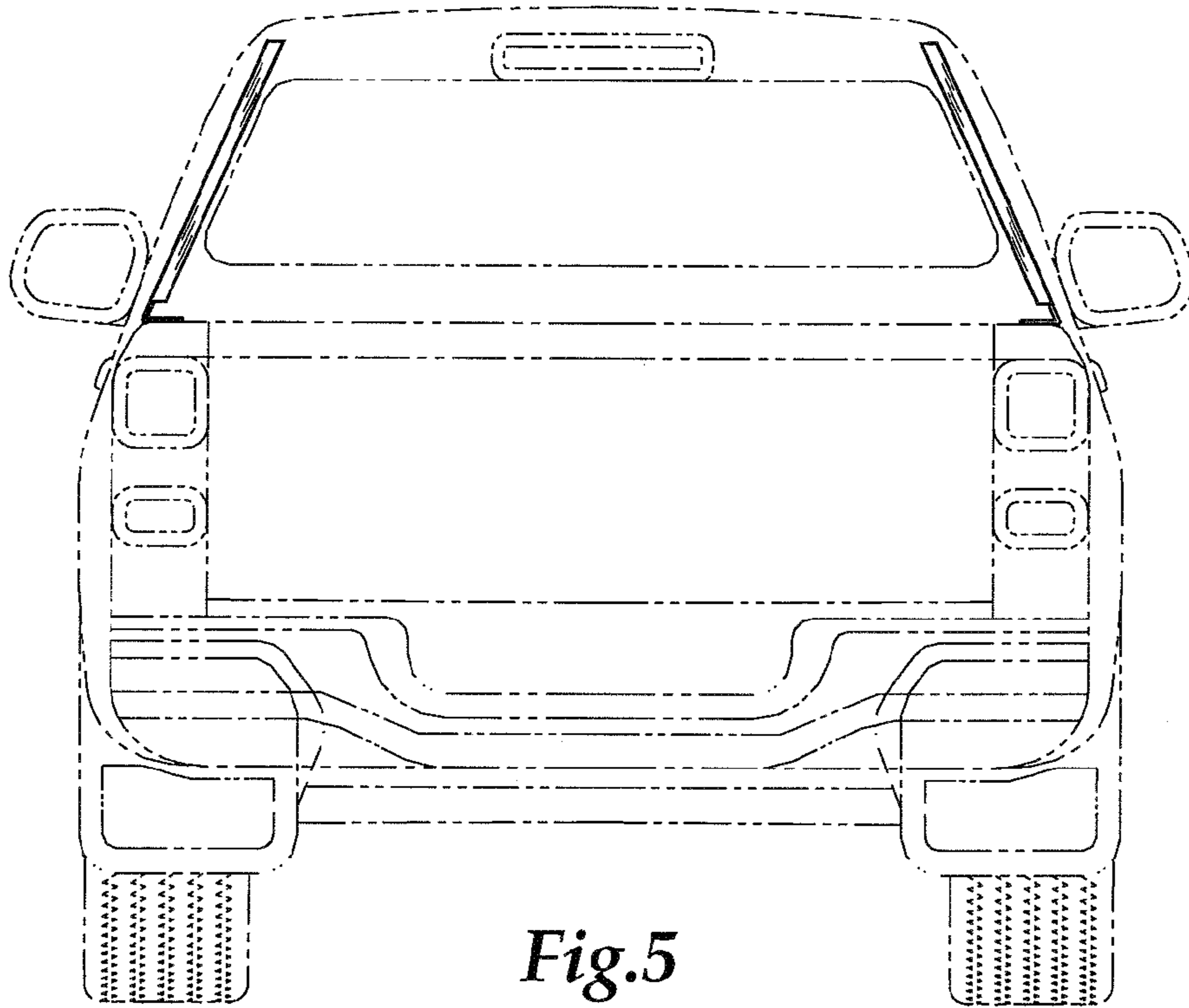
*Fig.2*



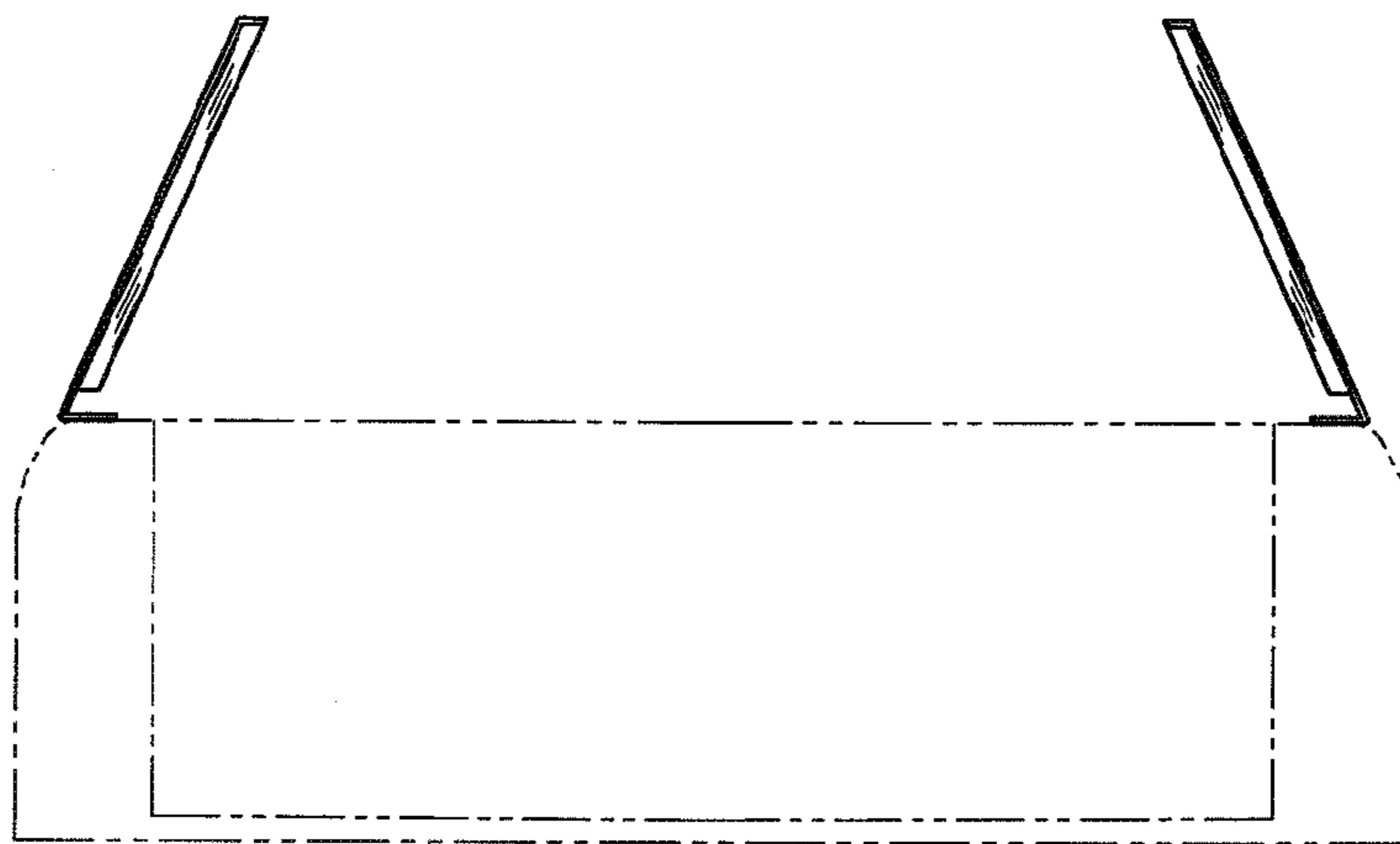
*Fig.3*



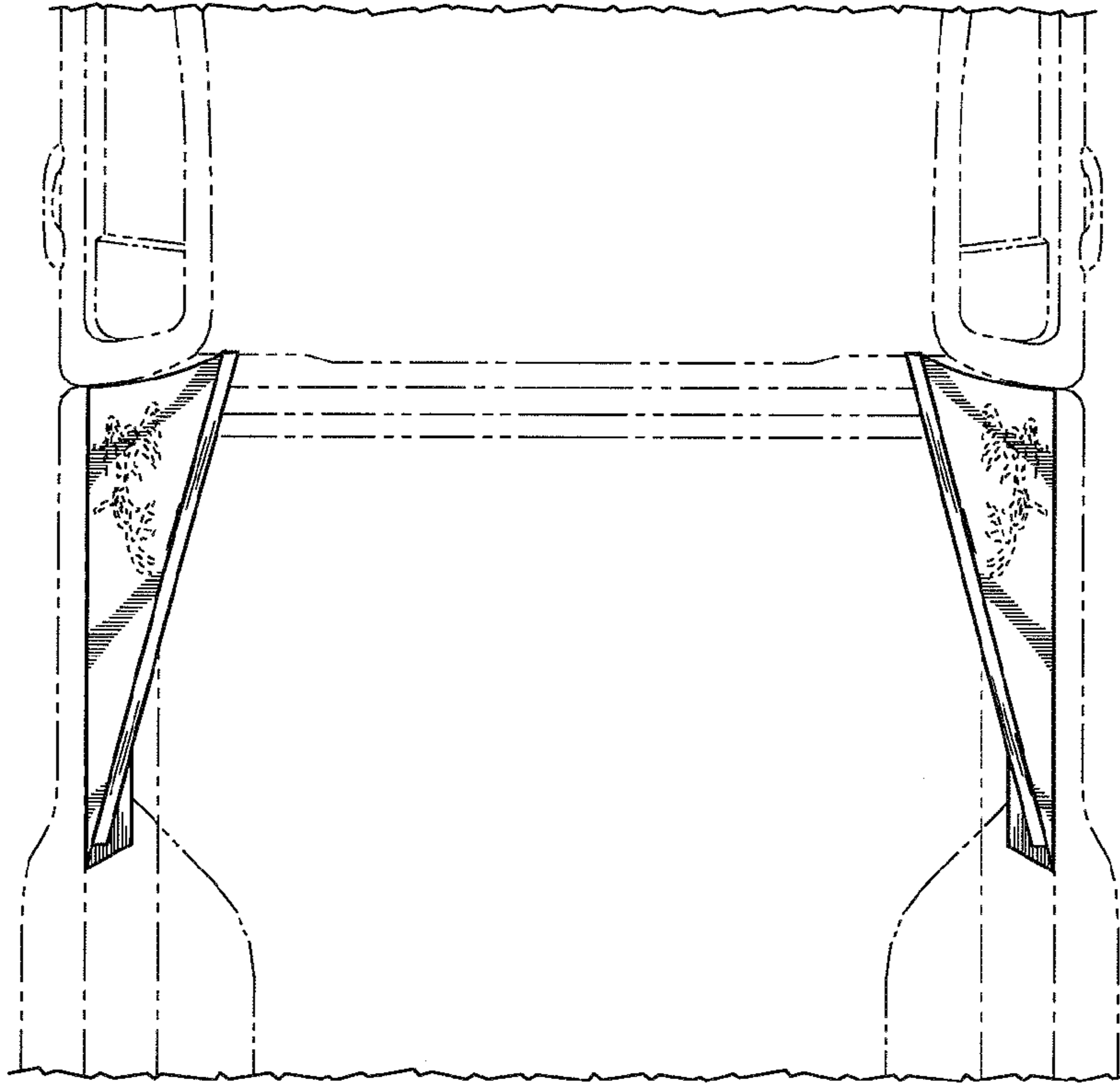
*Fig.4*



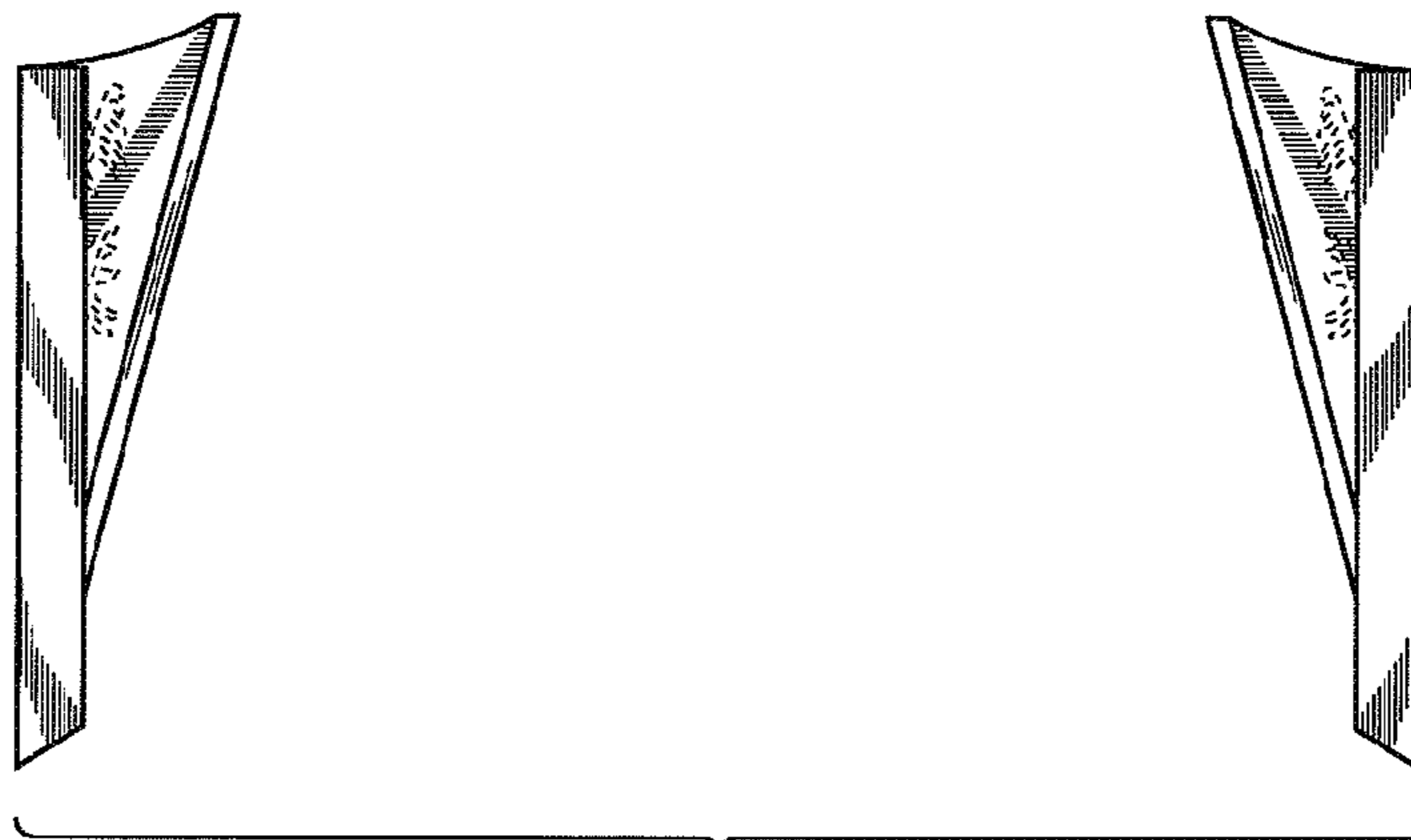
*Fig.5*



*Fig.6*



*Fig. 7*



*Fig. 8*