



US00D753564S

(12) **United States Design Patent**
Frascella

(10) **Patent No.:** **US D753,564 S**
(45) **Date of Patent:** **** Apr. 12, 2016**

(54) **VEHICLE BUMPER**

(71) Applicant: **Jaguar Land Rover Limited**, Coventry (GB)

(72) Inventor: **Massimo Frascella**, Coventry (GB)

(73) Assignee: **Jaguar Land Rover Limited** (GB)

(**) Term: **14 Years**

(21) Appl. No.: **29/515,262**

(22) Filed: **Jan. 21, 2015**

(30) **Foreign Application Priority Data**

Jul. 22, 2014 (EM) 002507228
Jul. 22, 2014 (EM) 002507269

(51) **LOC (10) Cl.** **12-16**

(52) **U.S. Cl.**
USPC **D12/169**

(58) **Field of Classification Search**
USPC D12/169, 216, 90-92, 86, 171, 196,
D12/163; 293/102, 113, 115, 117, 120;
296/180.1, 180.2
CPC . B60R 19/52; B60R 2019/25; B62D 25/0845
See application file for complete search history.

(56) **References Cited**

U.S. PATENT DOCUMENTS

D522,937 S * 6/2006 Tada D12/169
D576,928 S * 9/2008 Miyazaki D12/169
D578,447 S * 10/2008 Sawai D12/169
D583,730 S * 12/2008 Tonello D12/169
D584,202 S * 1/2009 Sonoda D12/169

D585,797 S * 2/2009 Suzuki D12/169
D586,271 S * 2/2009 Futschik D12/169
D610,500 S * 2/2010 Kulla D12/169
D620,404 S * 7/2010 Ward D12/169
D647,437 S * 10/2011 Varga D12/169
D666,130 S * 8/2012 Varga D12/169
D670,626 S * 11/2012 Goto D12/169
D686,119 S * 7/2013 Futschik D12/169
D700,114 S * 2/2014 Wada D12/169
D701,152 S * 3/2014 Saracoglu D12/169
D703,117 S * 4/2014 Osborne D12/169
D708,995 S * 7/2014 Chen D12/169
D712,801 S * 9/2014 Kobayashi D12/169
D719,072 S * 12/2014 Robinson D12/169
D740,186 S * 10/2015 Gunnarson D12/169

* cited by examiner

Primary Examiner — Melody Brown

(74) *Attorney, Agent, or Firm* — Fishman Stewart PLLC

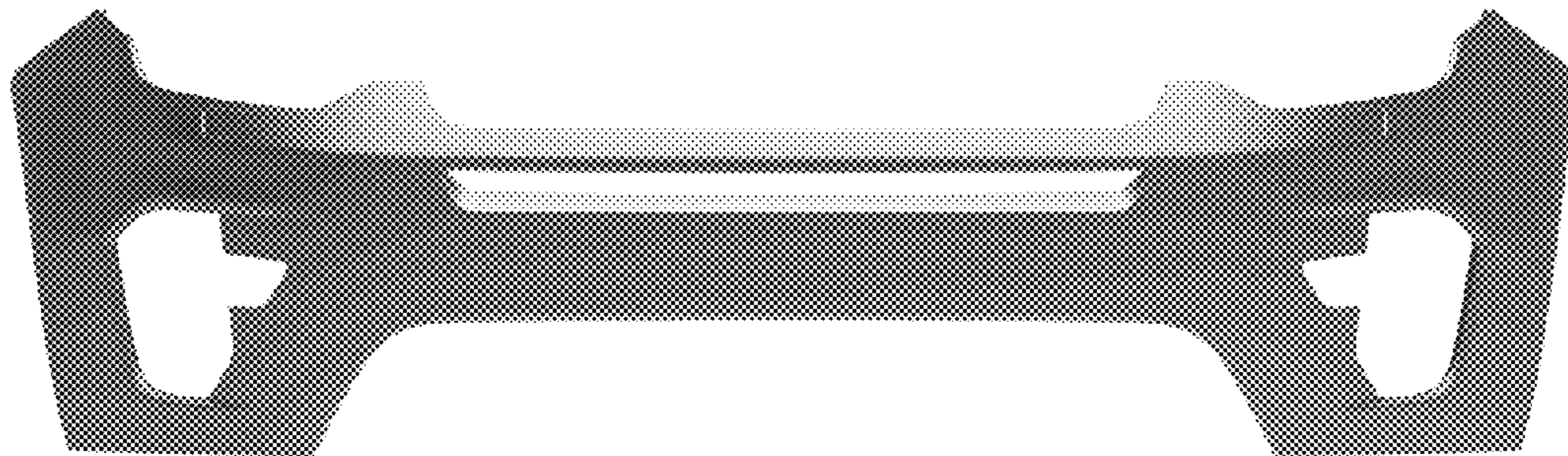
(57) **CLAIM**

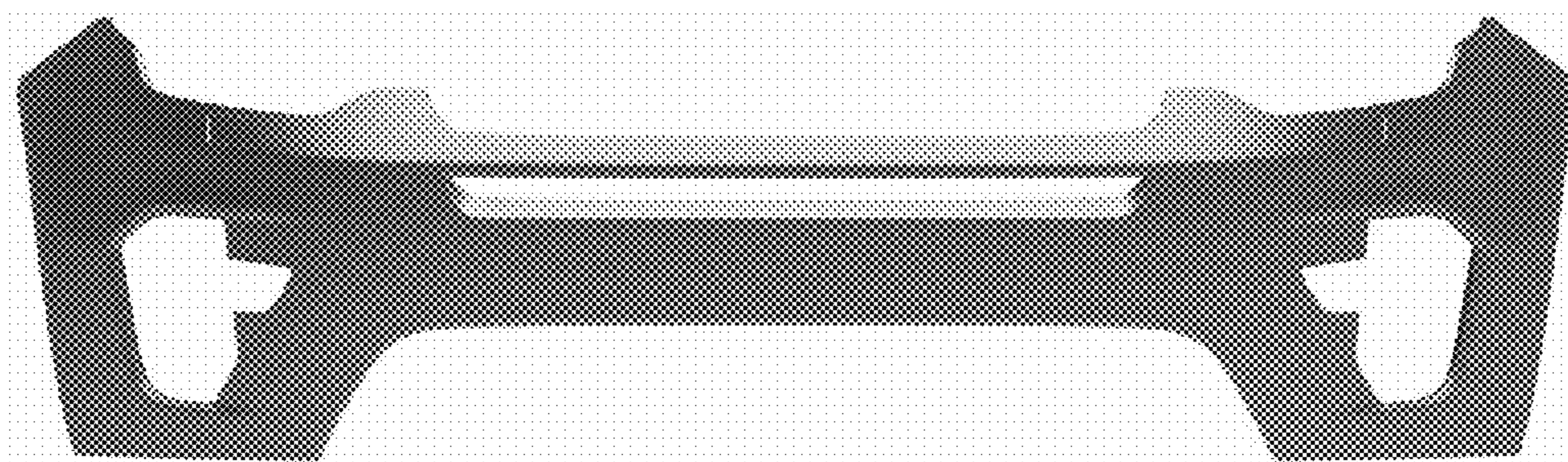
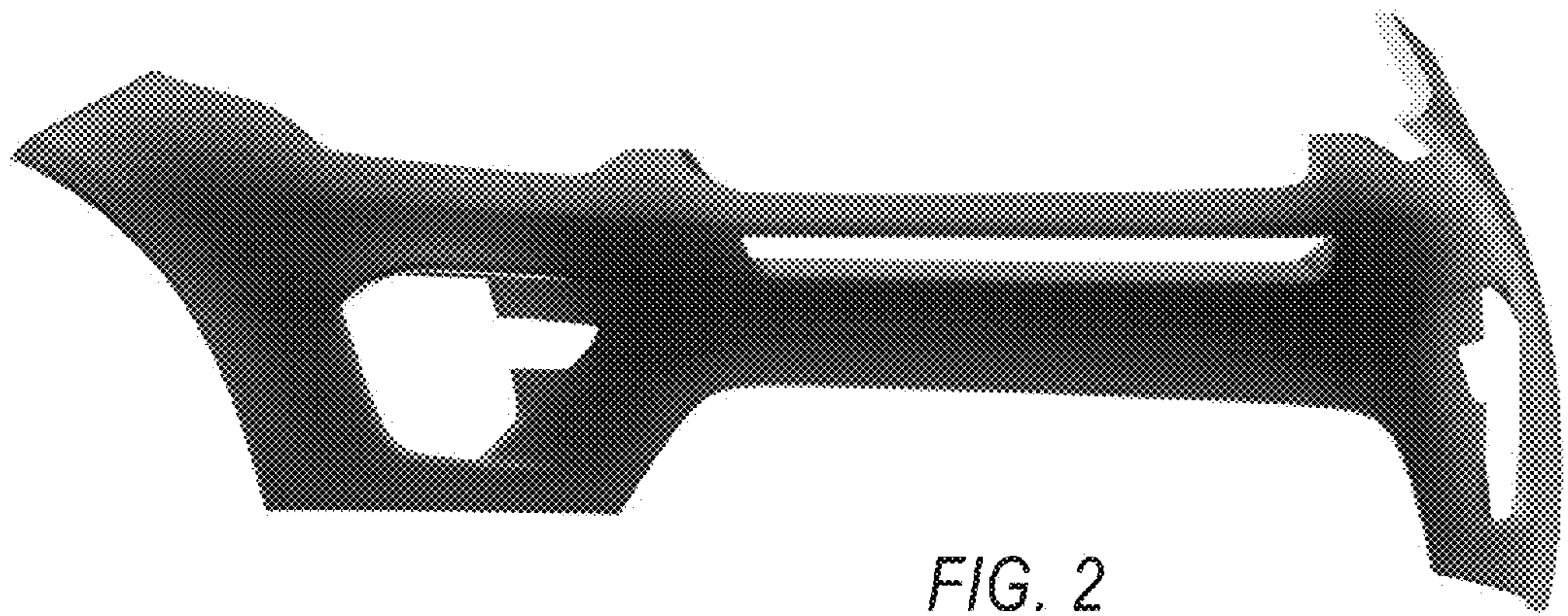
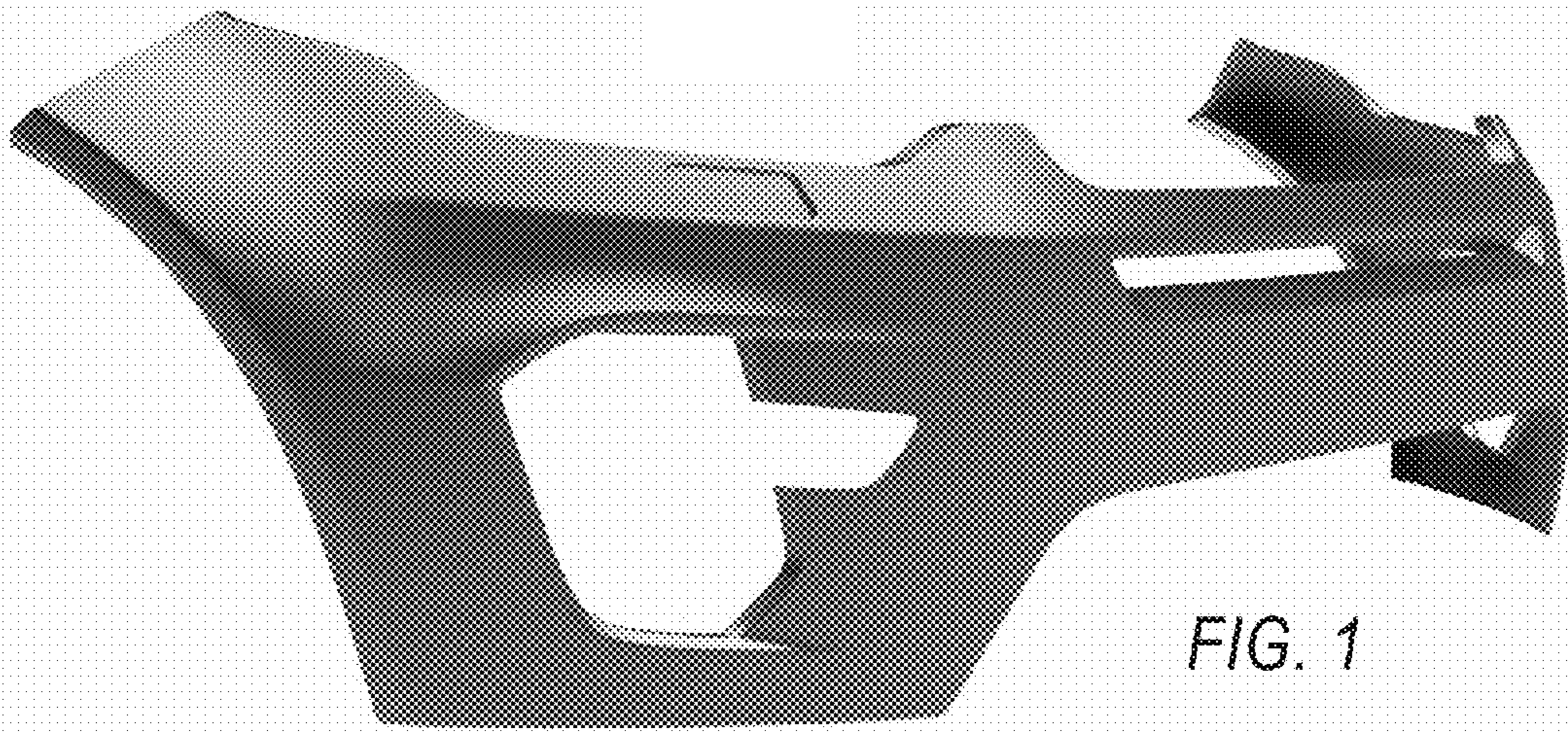
The ornamental design for a vehicle bumper, as shown and described.

DESCRIPTION

FIG. 1 is a front perspective view of a vehicle bumper;
FIG. 2 is a rear perspective view of a vehicle bumper;
FIG. 3 is a front view of a vehicle bumper;
FIG. 4 is a left side view of a vehicle bumper;
FIG. 5 is a right side view of a vehicle bumper;
FIG. 6 is a top view of a vehicle bumper; and,
FIG. 7 is another front perspective view of a vehicle bumper in the installed position on vehicle.
Portions of the vehicle in FIG. 7 shown in diagonal lines are for illustrative purposes only and form no part of the claimed design.

1 Claim, 4 Drawing Sheets





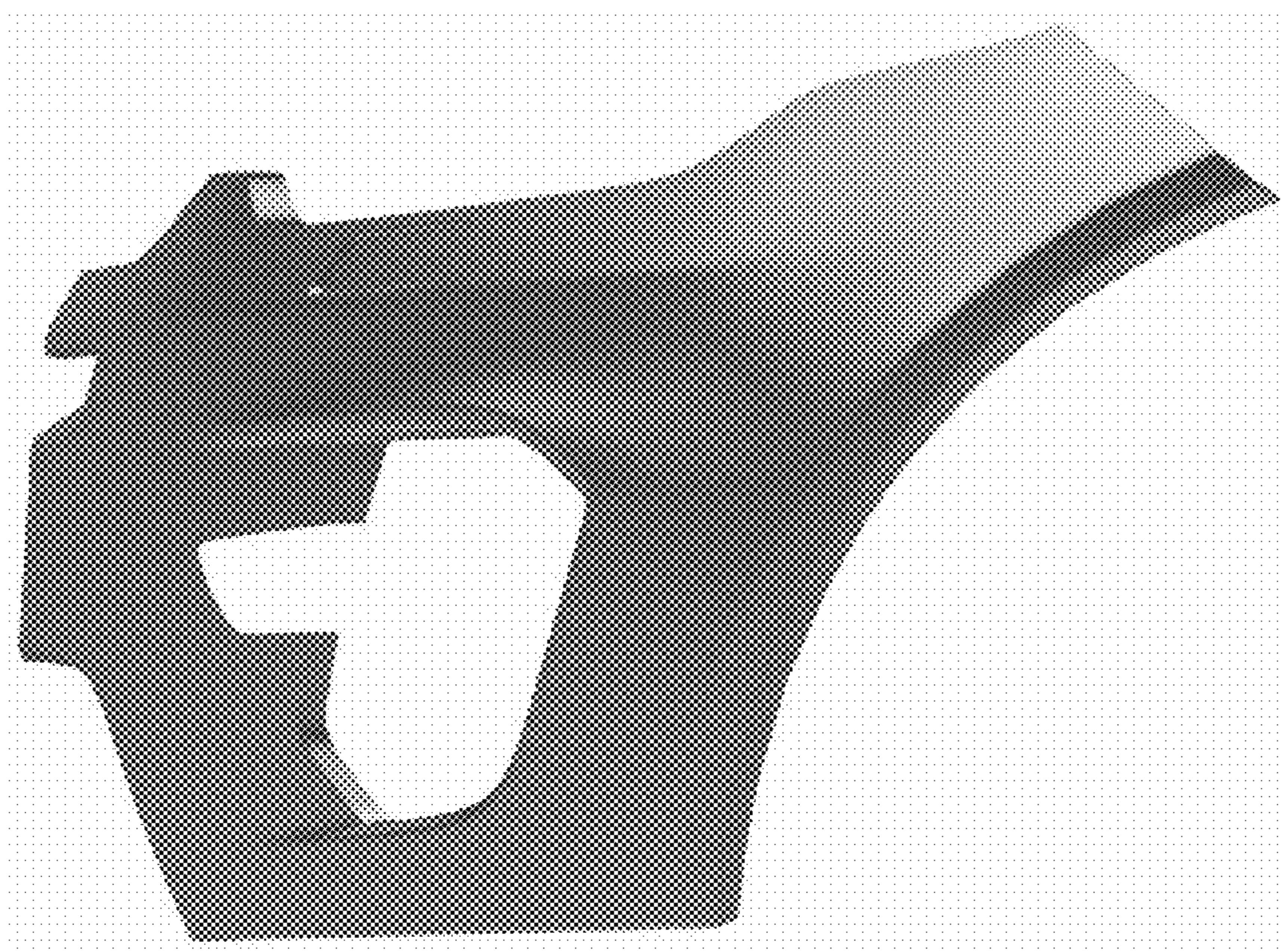


FIG. 4

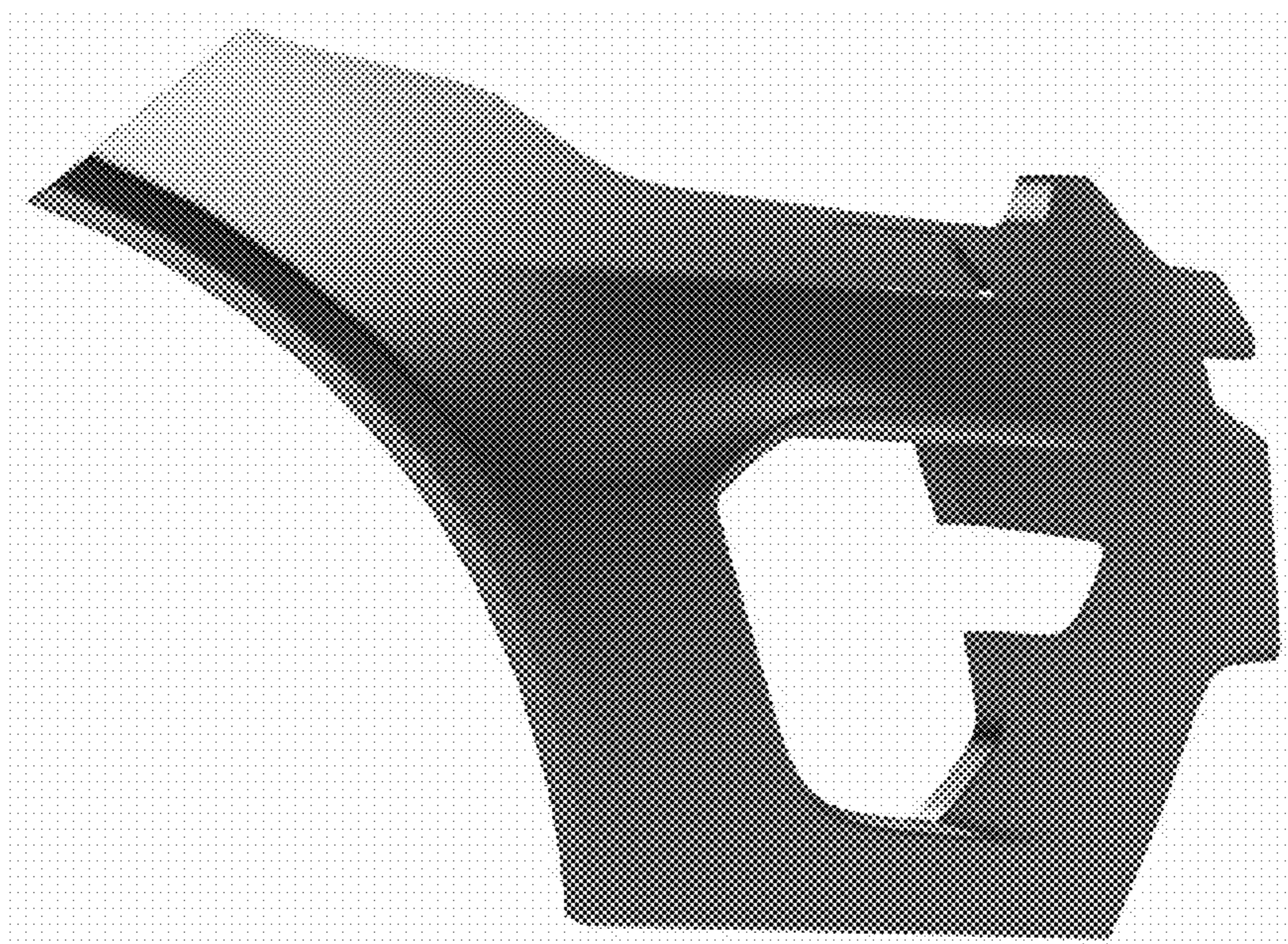


FIG. 5

