



US00D753563S

(12) **United States Design Patent**  
**Toriyama et al.**

(10) **Patent No.:** **US D753,563 S**  
(45) **Date of Patent:** **\*\* Apr. 12, 2016**

(54) **MOTOR VEHICLE REAR BUMPER**

(71) Applicant: **MAZDA MOTOR CORPORATION**,  
Hiroshima (JP)

(72) Inventors: **Masahiro Toriyama**, Hiroshima (JP);  
**Takafumi Shimada**, Hiroshima (JP);  
**Kazuya Hamada**, Hiroshima (JP)

(73) Assignee: **Mazda Motor Corporation**, Hiroshima  
(JP)

(\*\*) Term: **14 Years**

(21) Appl. No.: **29/513,145**

(22) Filed: **Dec. 28, 2014**

(30) **Foreign Application Priority Data**

Jun. 27, 2014 (JP) ..... D2014-014065

(51) **LOC (10) Cl.** ..... **12-16**

(52) **U.S. Cl.**  
USPC ..... **D12/169**

(58) **Field of Classification Search**  
USPC ..... D12/86, 90, 91, 92, 163, 164, 169, 171,  
D12/196, 216; 180/68.4, 68.6; 293/102,  
293/112, 113, 115, 117, 120; 296/180.1,  
296/180.2

CPC ..... B60R 19/02; B60R 19/18; B60R 19/24;  
B60R 19/56; B60R 2019/007; B62D 25/0845  
See application file for complete search history.

(56) **References Cited**

**U.S. PATENT DOCUMENTS**

6,520,553 B2 \* 2/2003 Muramatsu ..... B60R 19/24  
293/154  
D584,199 S \* 1/2009 Leclercq ..... D12/169  
D584,200 S \* 1/2009 Leclercq ..... D12/169  
D585,797 S \* 2/2009 Suzuki ..... D12/169  
D640,616 S \* 6/2011 Schell ..... D12/169

D653,593 S \* 2/2012 Nishihama ..... D12/169  
D668,188 S \* 10/2012 Shudo ..... D12/169  
D683,283 S \* 5/2013 Choi ..... D12/169  
D683,285 S \* 5/2013 Yoshida ..... D12/169  
D684,905 S \* 6/2013 Tase ..... D12/169  
D688,605 S \* 8/2013 Futschik ..... D12/169  
D688,989 S \* 9/2013 Minamisawa ..... D12/169  
D690,631 S \* 10/2013 Kazama ..... D12/169  
D699,164 S \* 2/2014 Watabe ..... D12/169  
D700,116 S \* 2/2014 Wada ..... D12/169  
D701,806 S \* 4/2014 Hildebrand ..... D12/169  
D704,603 S \* 5/2014 Munson ..... D12/169  
D710,266 S \* 8/2014 Sakae ..... D12/169  
D716,707 S \* 11/2014 Takei ..... D12/169  
D717,220 S \* 11/2014 Murakawa ..... D12/169  
2014/0091584 A1 \* 4/2014 McConnell ..... B60R 19/18  
293/120  
2014/0292006 A1 \* 10/2014 Francis ..... B60R 19/18  
293/107

**FOREIGN PATENT DOCUMENTS**

CN 300985387 S 8/2009

\* cited by examiner

*Primary Examiner* — Phillip S Hyder

*Assistant Examiner* — Darlington Ly

(74) *Attorney, Agent, or Firm* — Studebaker & Brackett PC

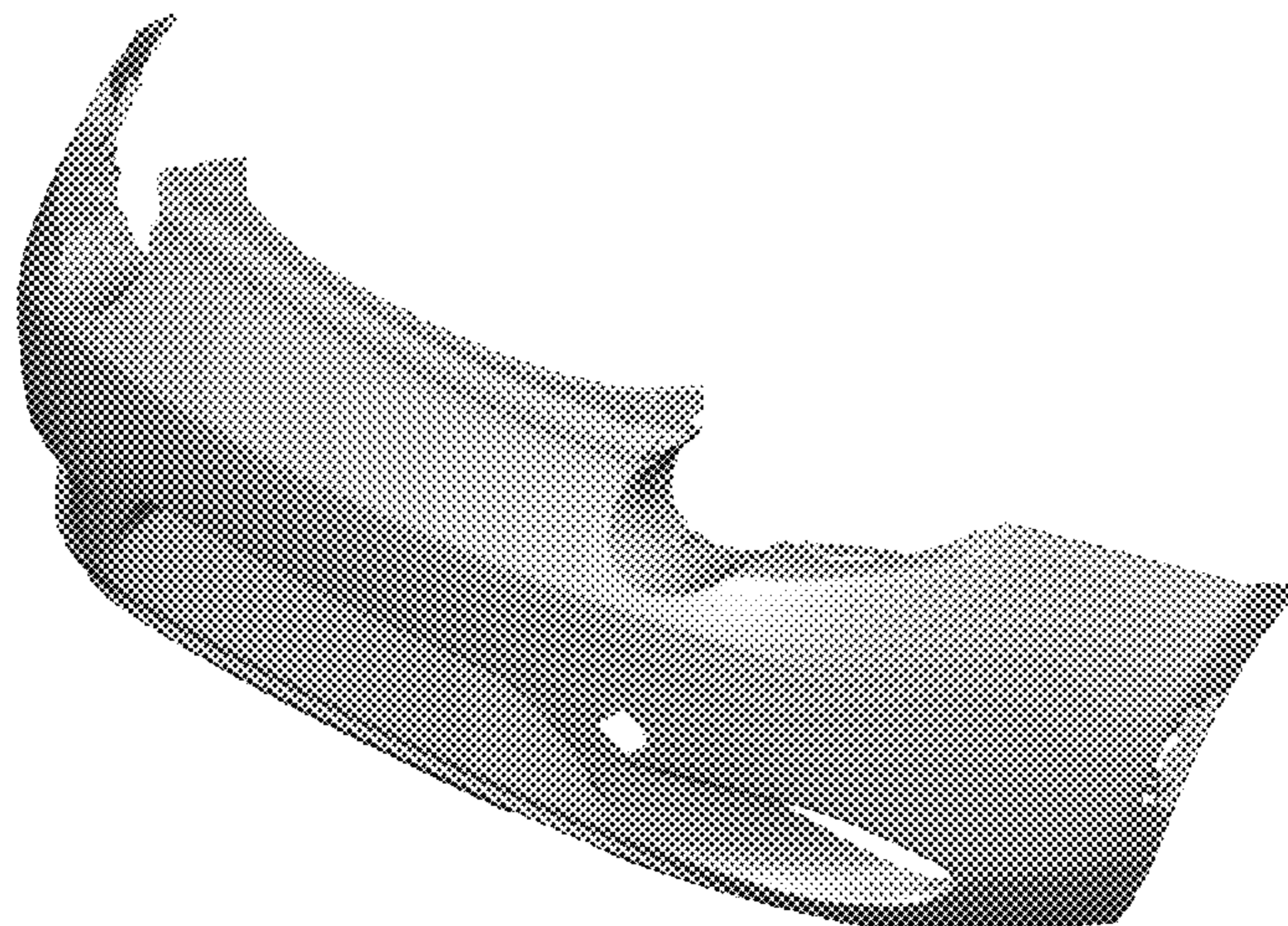
(57) **CLAIM**

The ornamental design for a motor vehicle rear bumper, as shown and described.

**DESCRIPTION**

FIG. 1 is a perspective view of a motor vehicle rear bumper;  
FIG. 2 is a front view thereof;  
FIG. 3 is a rear view thereof;  
FIG. 4 is a left side view thereof;  
FIG. 5 is a right side view thereof;  
FIG. 6 is a top view thereof; and,  
FIG. 7 is a bottom view thereof.

**1 Claim, 4 Drawing Sheets**



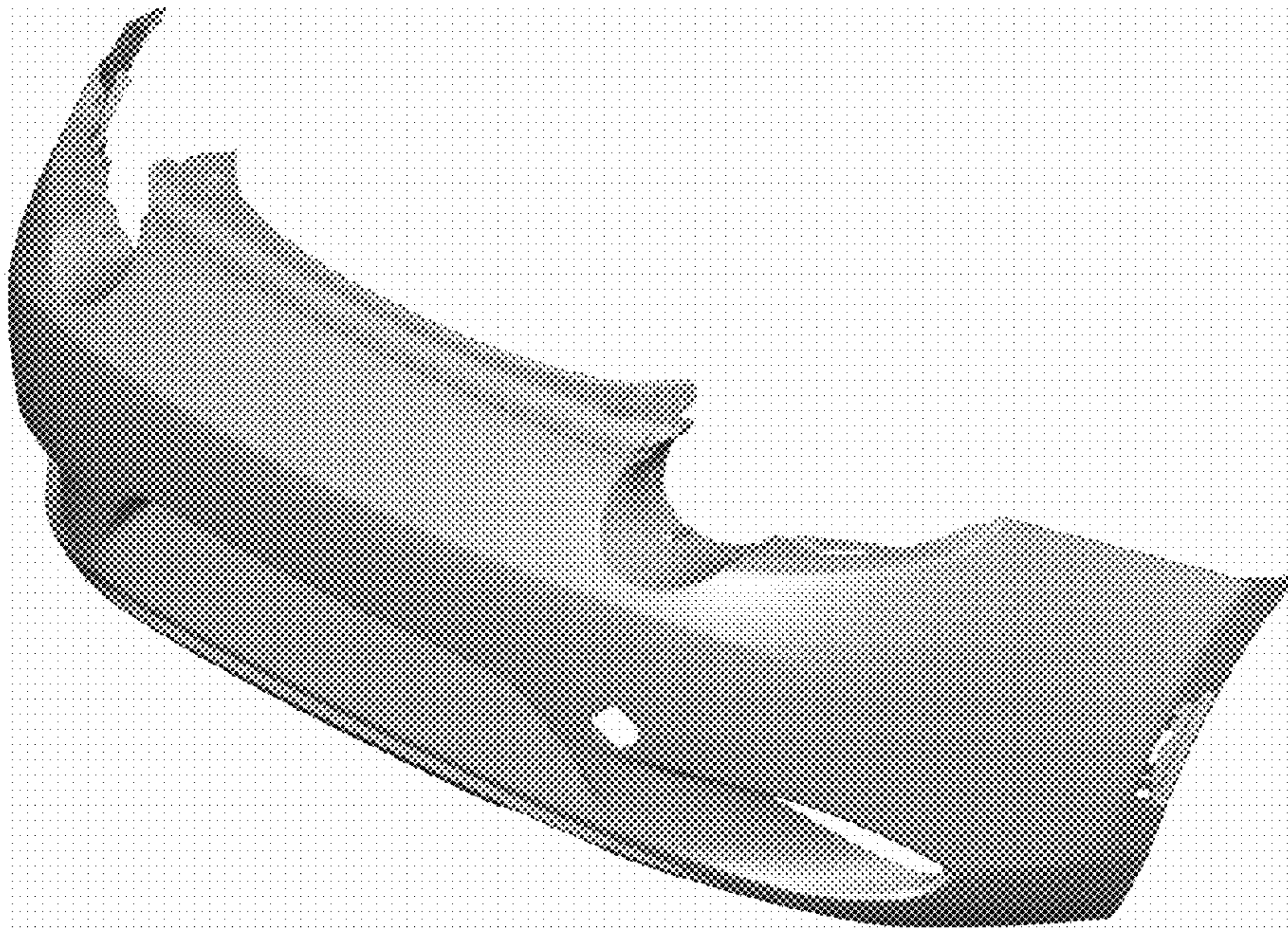


FIG.1

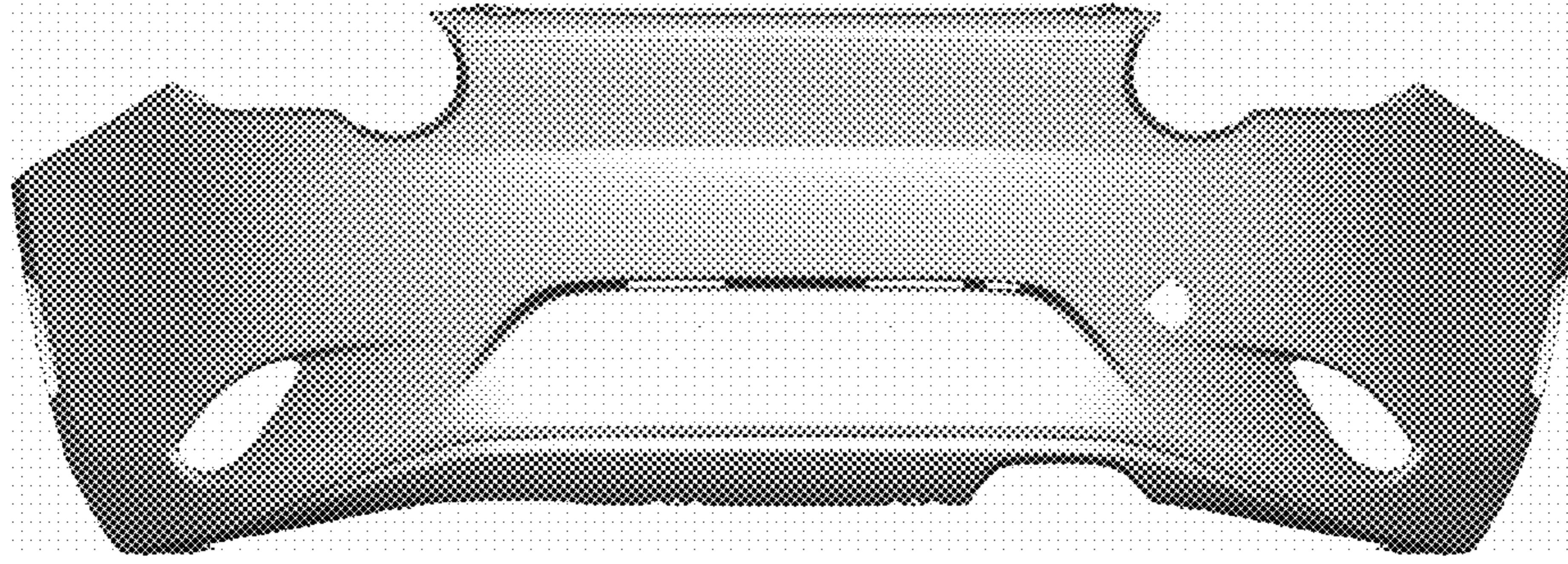


FIG. 2

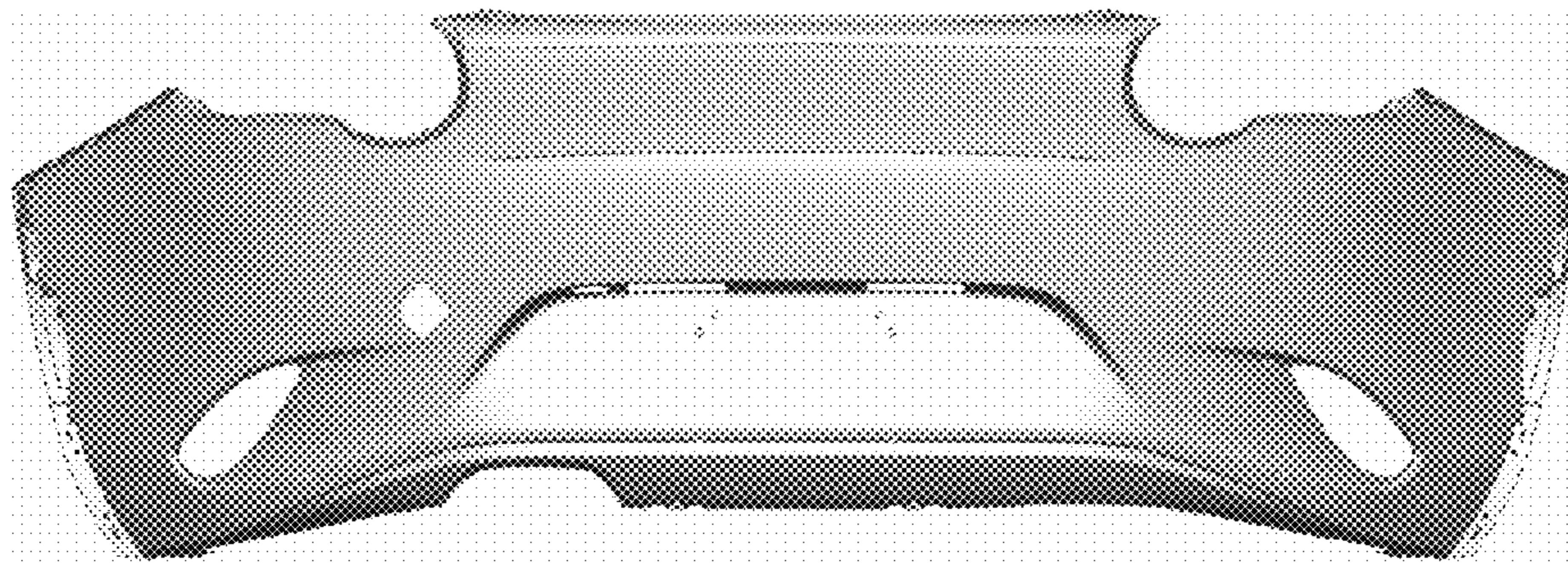


FIG. 3

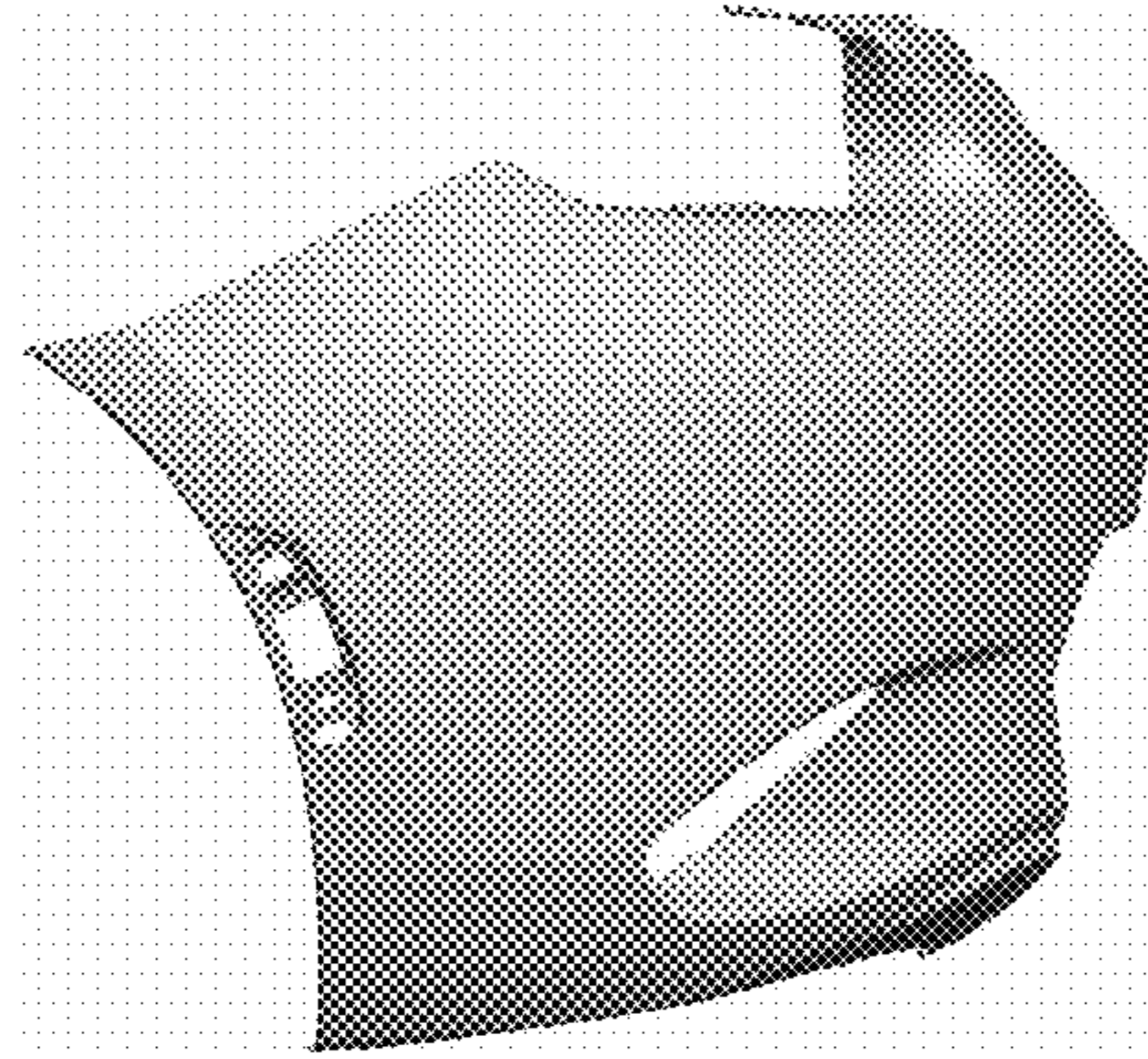


FIG.4

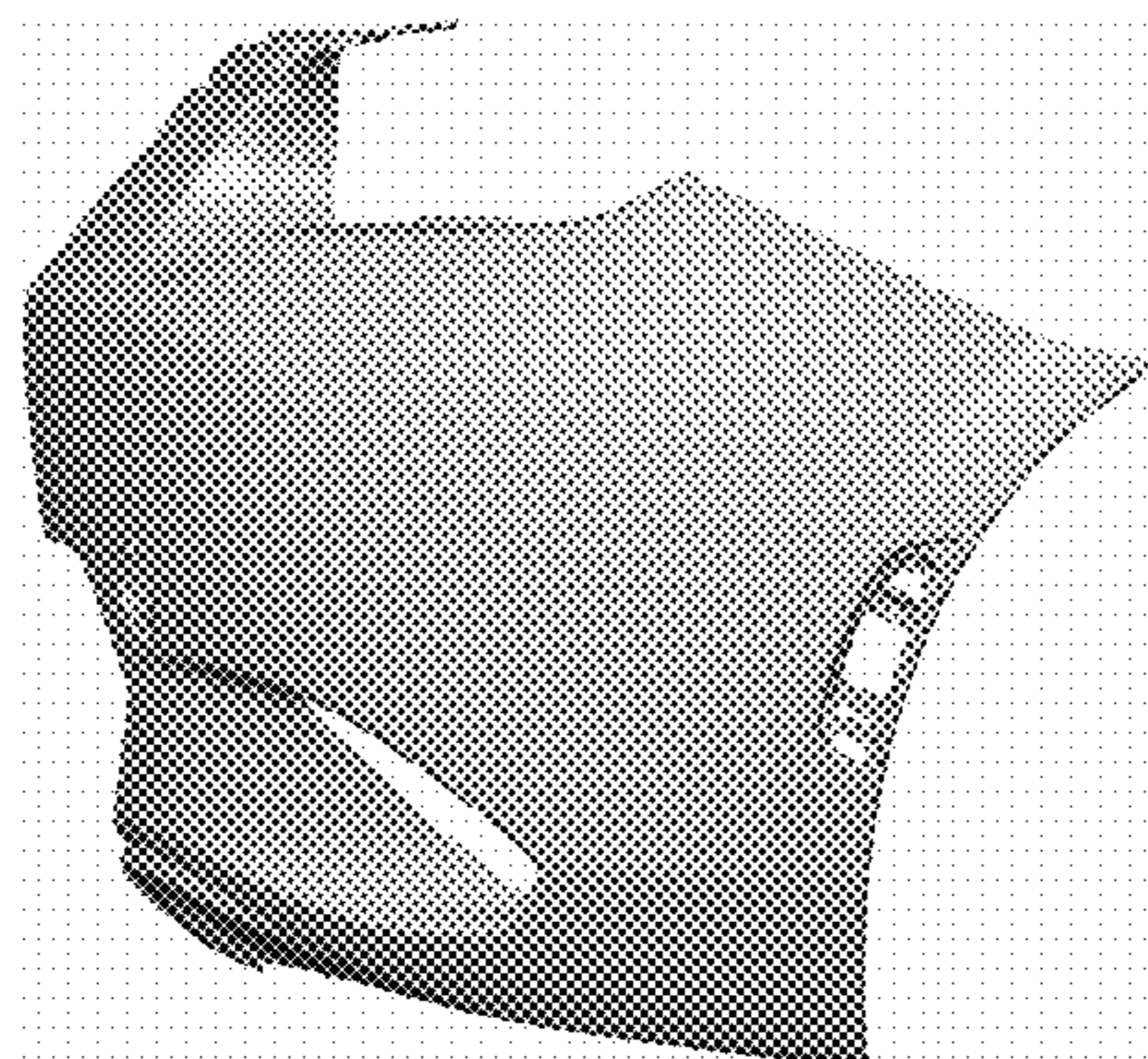


FIG.5

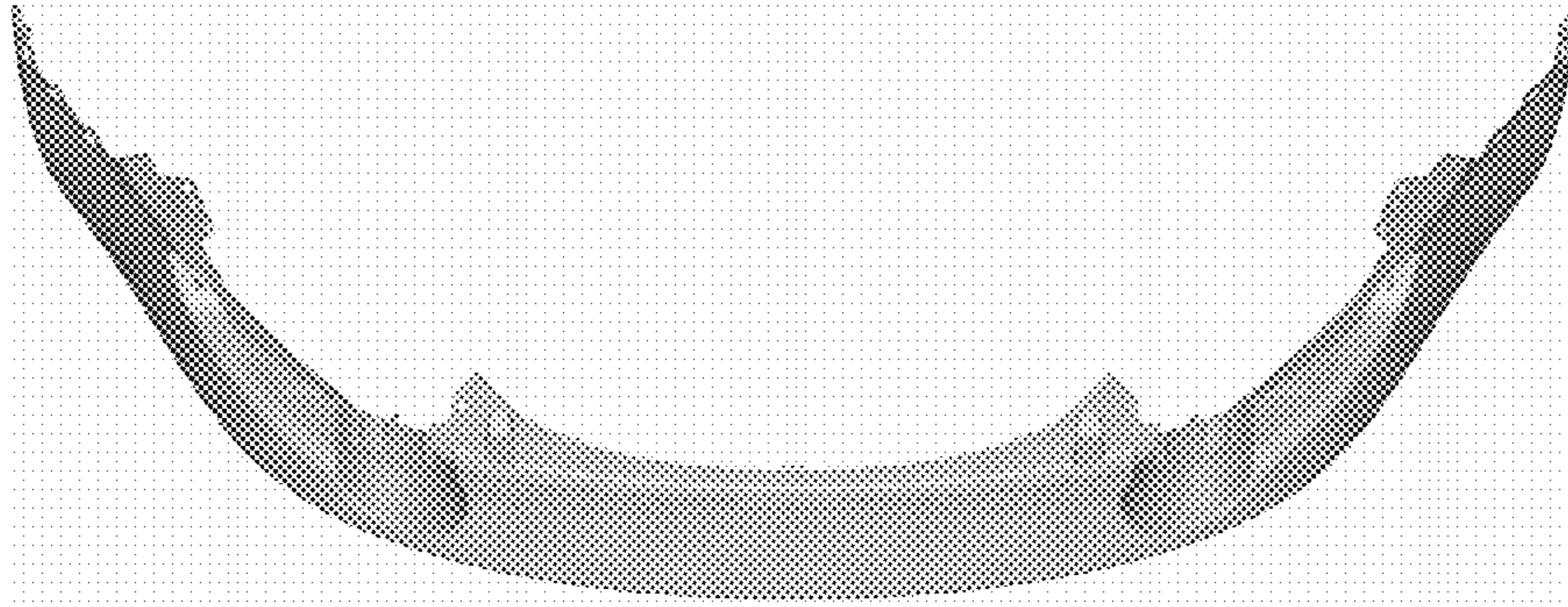


FIG. 6

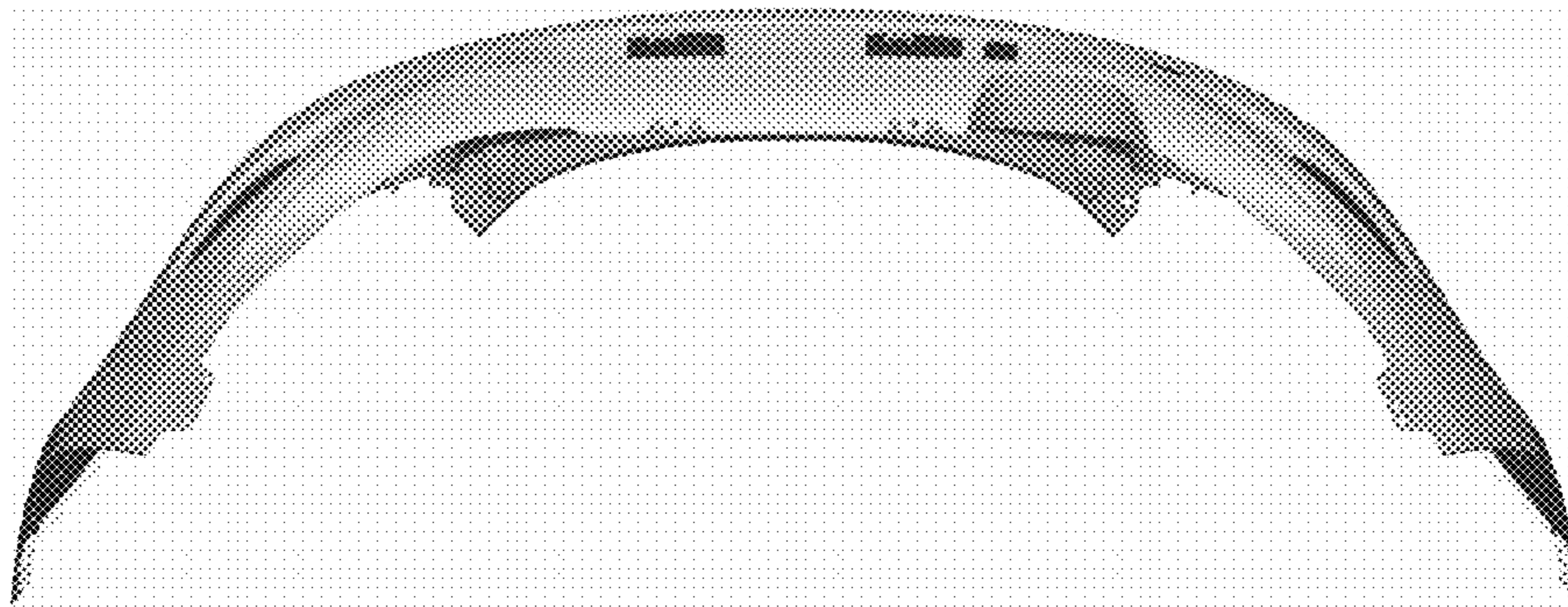


FIG. 7