



US00D753560S

(12) **United States Design Patent**
McMahan et al.

(10) **Patent No.:** **US D753,560 S**
(45) **Date of Patent:** **** Apr. 12, 2016**

(54) **VEHICLE FRONT BUMPER**

(71) Applicant: **GM GLOBAL TECHNOLOGY OPERATIONS LLC**, Detroit, MI (US)

(72) Inventors: **Robert B. McMahan**, Bloomfield Hills, MI (US); **Brendon C. Mackay**, Shelby Township, MI (US); **Daniel E. Schmeckpeper**, Clarkston, MI (US)

(73) Assignee: **GM Global Technology Operations LLC**, Detroit, MI (US)

(**) Term: **14 Years**

(21) Appl. No.: **29/507,470**

(22) Filed: **Oct. 28, 2014**

(51) **LOC (10) Cl.** **12-16**

(52) **U.S. Cl.**
USPC **D12/169**

(58) **Field of Classification Search**
USPC D12/169, 216, 90-92, 86, 171, 196,
D12/163; 293/102, 113, 115, 117, 120;
296/180.1, 180.2

CPC . B60R 19/52; B60R 2019/25; B62D 25/0845
See application file for complete search history.

(56) **References Cited**

U.S. PATENT DOCUMENTS

D711,295 S *	8/2014	Mackay	D12/169
D718,681 S *	12/2014	Allen	D12/169
D736,683 S *	8/2015	Glover	D12/169
D737,740 S *	9/2015	Goeppel	D12/169

OTHER PUBLICATIONS

Design U.S. Appl. No. 29/466,631, filed Sep. 10, 2013; First Named Inventor: Louis D. Thole; Title: Vehicle Front Fascia; 3 pages.
Design U.S. Appl. No. 29/478,501, filed Jan. 6, 2014; First Named Inventor: Robert B. McMahan; Title: Vehicle Body Exterior; 7 pages.

* cited by examiner

Primary Examiner — Melody Brown

(74) *Attorney, Agent, or Firm* — Reising Ethington P.C.

(57) **CLAIM**

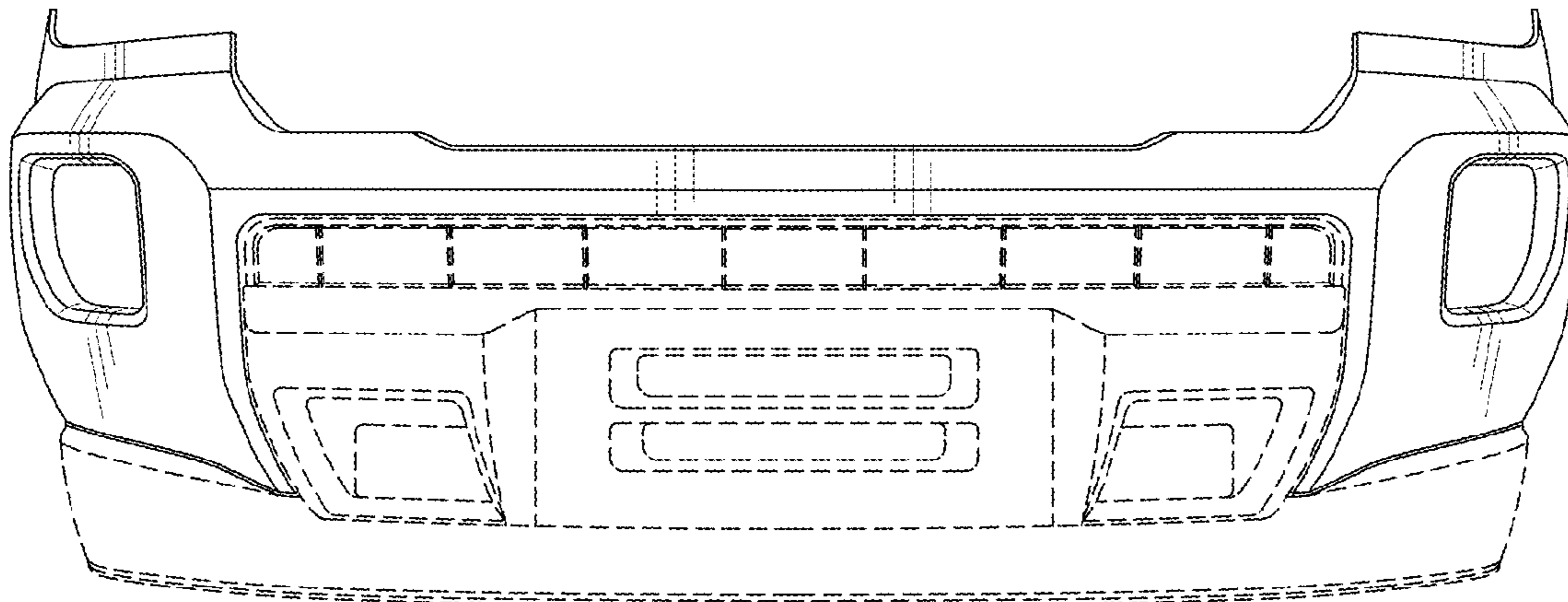
The ornamental design for a vehicle front bumper, as shown and described.

DESCRIPTION

FIG. 1 is a front perspective view of the vehicle front bumper; FIG. 2 is a left side elevation view thereof the right side being a mirror image of that side shown; FIG. 3 is a top plan view thereof; and, FIG. 4 is a front view thereof.

The portions of the vehicle shown in broken lines are for illustrative purposes only and form no part of the claimed design.

1 Claim, 1 Drawing Sheet



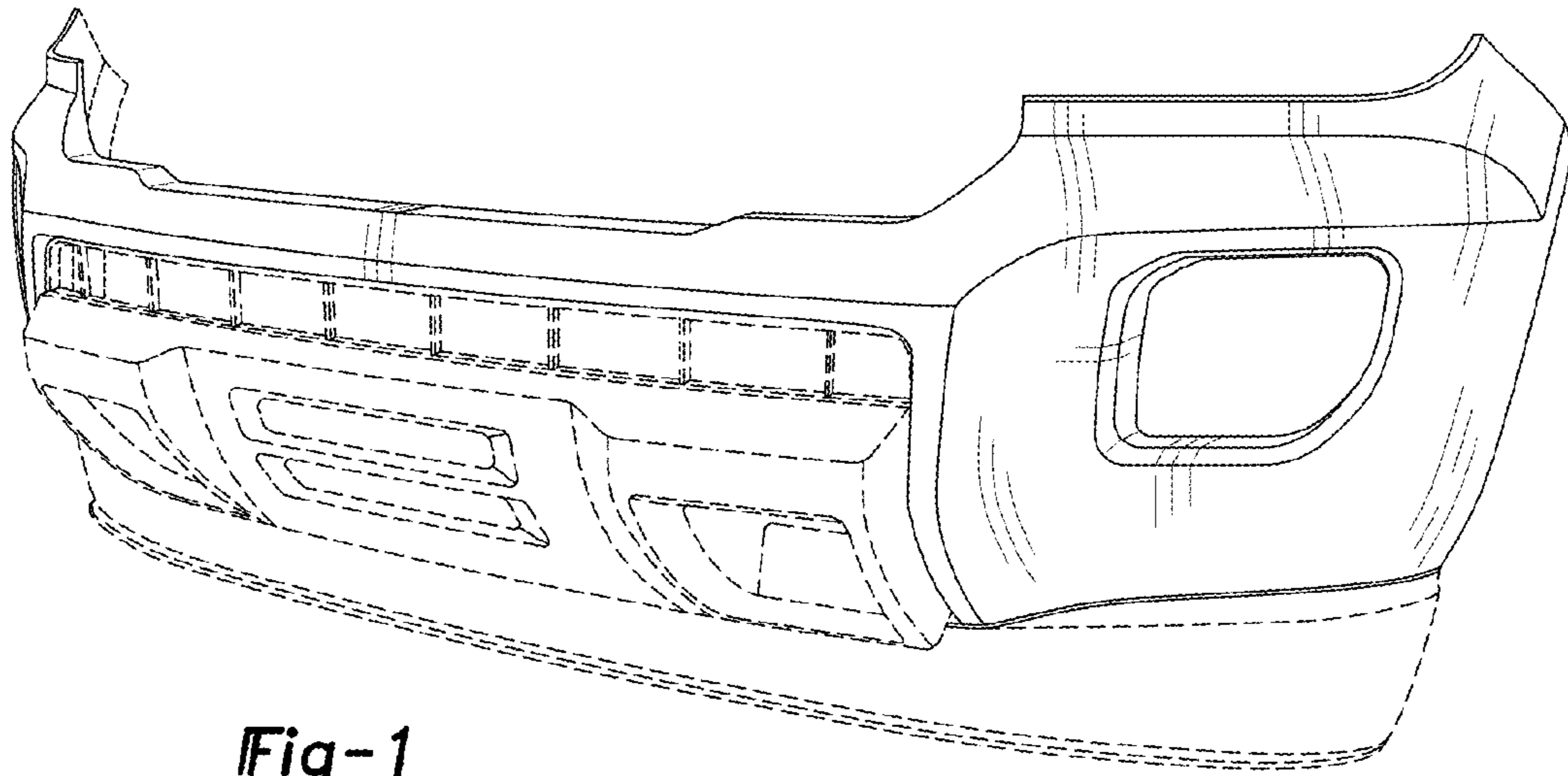


Fig-1

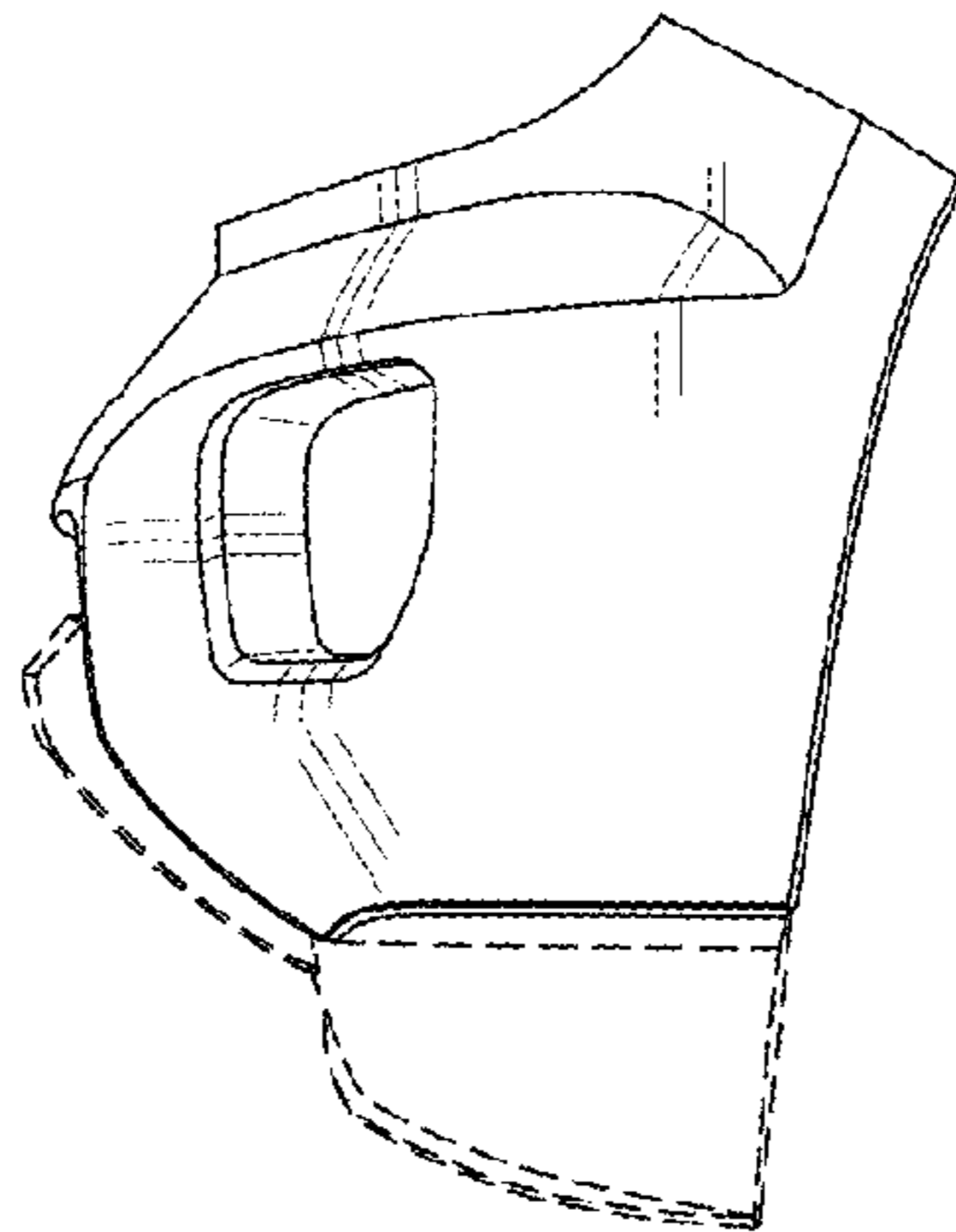


Fig-2

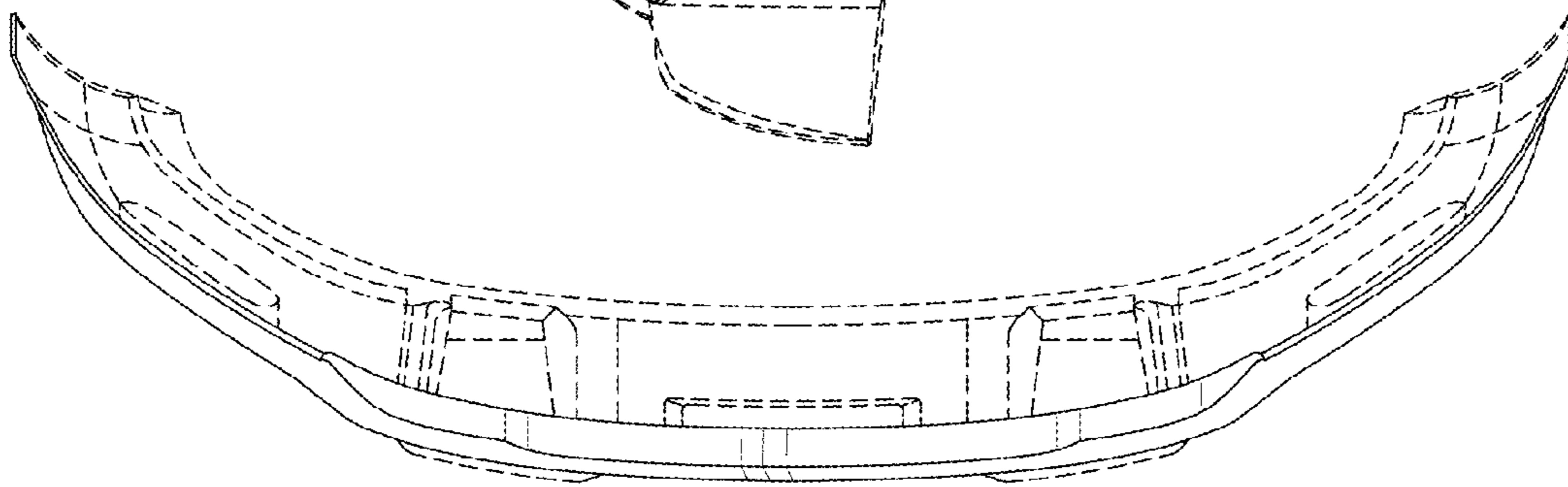


Fig-3

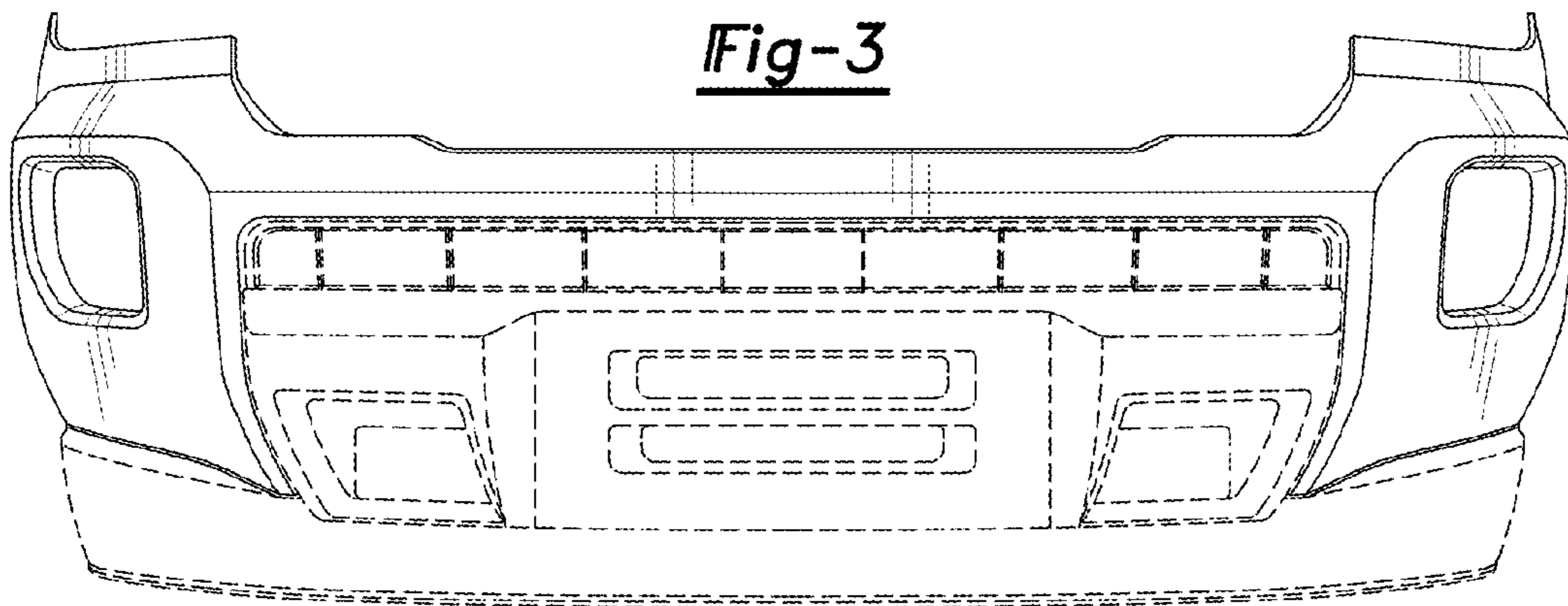


Fig-4