



US00D753559S

(12) **United States Design Patent**  
**McMahan et al.**

(10) **Patent No.:** **US D753,559 S**  
(45) **Date of Patent:** **\*\* Apr. 12, 2016**

(54) **VEHICLE FRONT BUMPER**  
(71) Applicant: **GM GLOBAL TECHNOLOGY OPERATIONS LLC**, Detroit, MI (US)

D695,166 S \* 12/2013 Tada ..... D12/169  
D695,167 S \* 12/2013 Platto ..... D12/169  
D711,295 S \* 8/2014 Mackay ..... D12/169

(72) Inventors: **Robert B. McMahan**, Bloomfield Hills, MI (US); **Brendon C. Mackay**, Shelby Township, MI (US); **Tyler L. H. Moffett**, Detroit, MI (US)

**OTHER PUBLICATIONS**  
Design U.S. Appl. No. 29/466,631, filed Sep. 10, 2013; First Named Inventor: Louis D. Thole; Title: Vehicle Front Fascia; 3 pages.  
Design U.S. Appl. No. 29/491,286, filed May 20, 2014; First Named Inventor; Robert B. McMahan; Title: Vehicle Body Exterior; 7 pages.

(73) Assignee: **GM Global Technology Operations LLC**, Detroit, MI (US)

\* cited by examiner

(\*\*) Term: **14 Years**

*Primary Examiner* — Melody N Brown  
(74) *Attorney, Agent, or Firm* — Reising Ethington P.C.

(21) Appl. No.: **29/506,176**

(22) Filed: **Oct. 14, 2014**

(51) **LOC (10) Cl.** ..... **12-16**

(52) **U.S. Cl.**  
USPC ..... **D12/169**

(58) **Field of Classification Search**  
USPC ..... D12/169, 216, 90–92, 86, 171, 196, D12/163; 293/102, 113, 115, 117, 120; 296/180.1, 180.2  
CPC .. B60R 19/52; B60R 2019/25; B60R 25/0845  
See application file for complete search history.

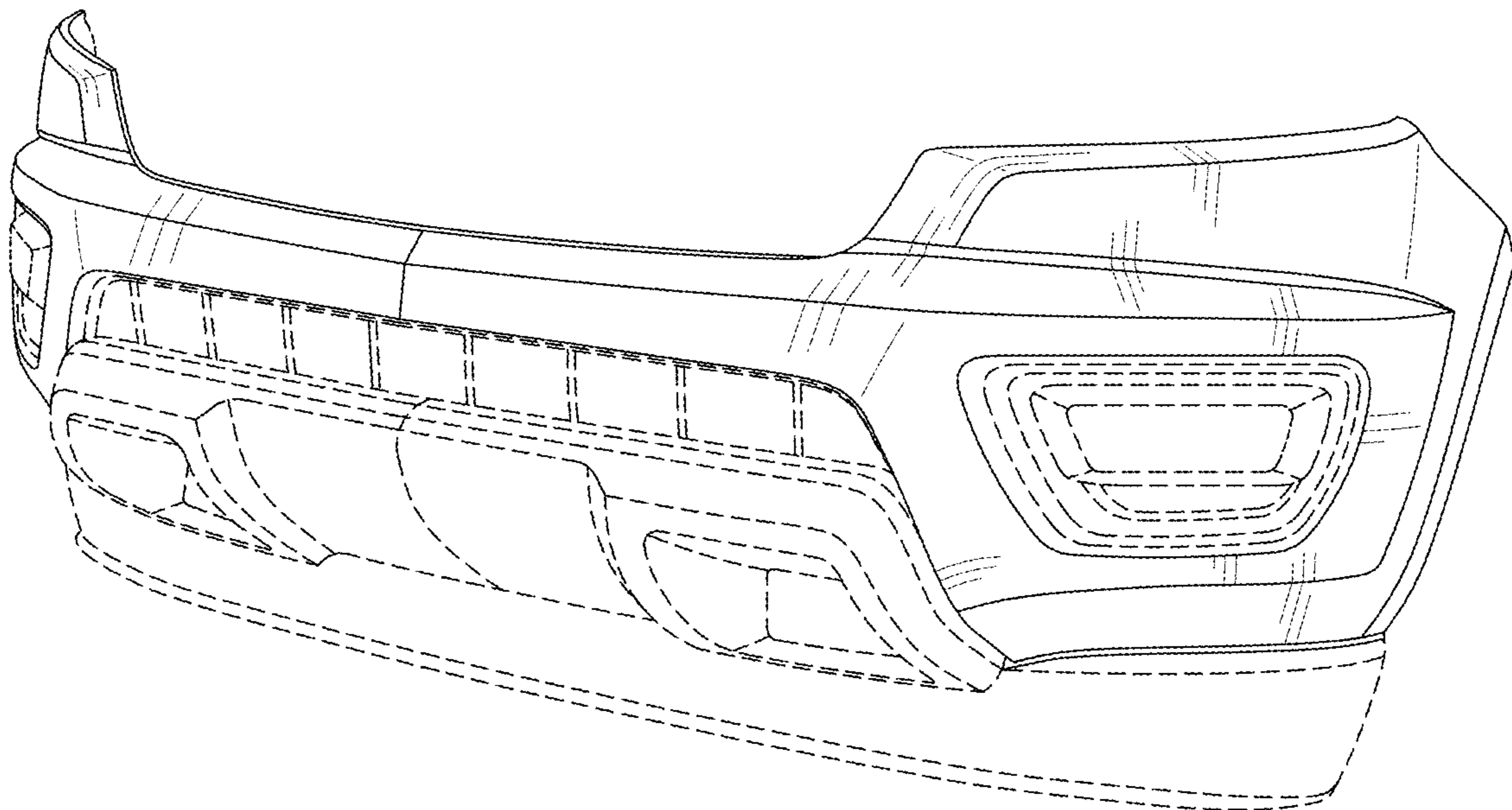
(57) **CLAIM**  
The ornamental design for a vehicle front bumper, as shown and described.

(56) **References Cited**  
**U.S. PATENT DOCUMENTS**

D544,417 S \* 6/2007 Kono ..... D12/169  
D570,748 S \* 6/2008 Nakamura ..... D12/169

**DESCRIPTION**  
FIG. 1 is a front perspective view of the vehicle front bumper; FIG. 2 is a left side elevation view thereof; FIG. 3 is a top plan view thereof; and, FIG. 4 is a front view thereof.  
The right side elevation view of the vehicle front bumper is omitted because the right side elevation view is identical to the left side elevation view. And the broken lines shown in the drawings depict portions of the vehicle front bumper that form no part of the claimed design.

**1 Claim, 1 Drawing Sheet**



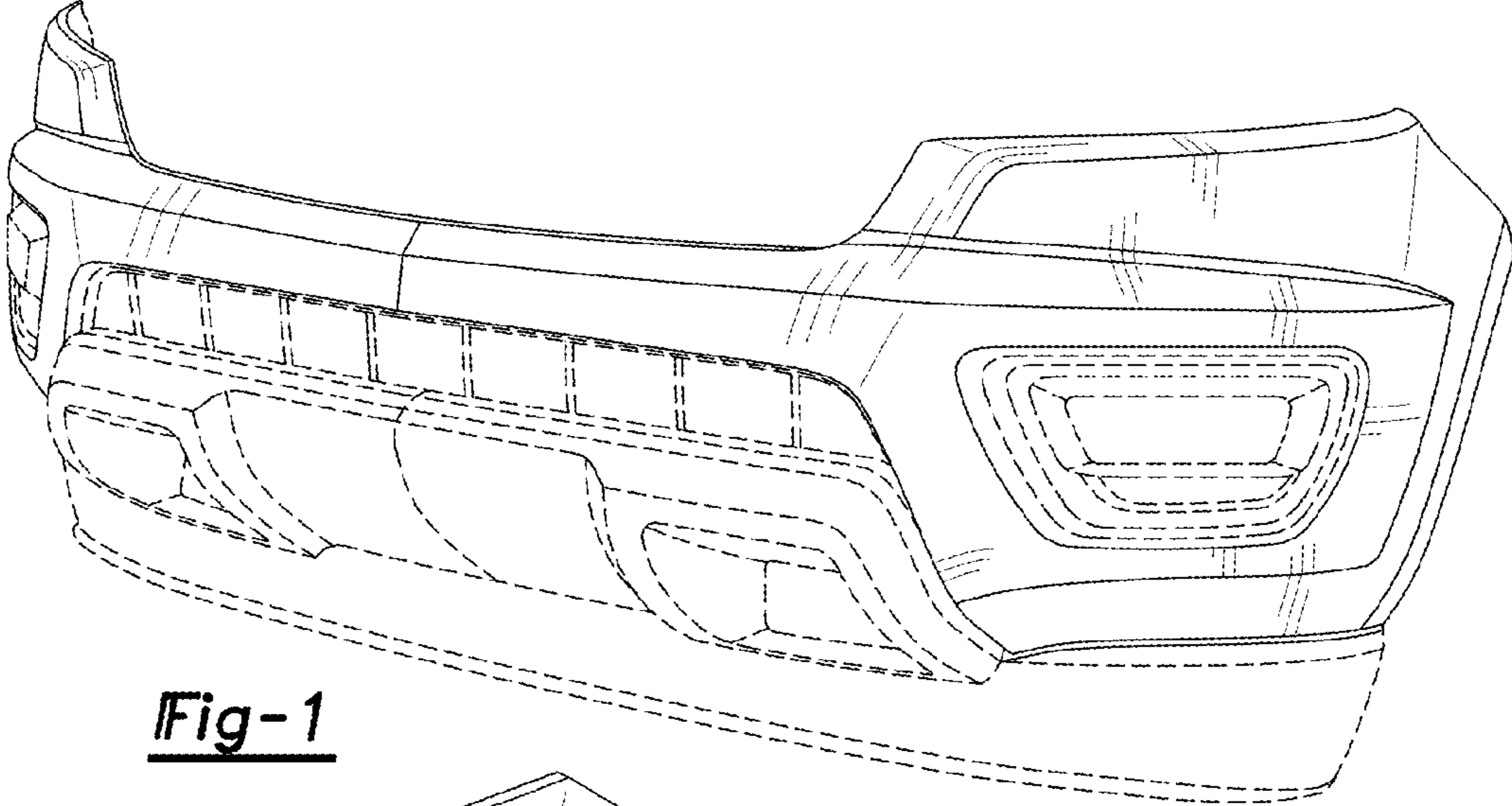


Fig-1

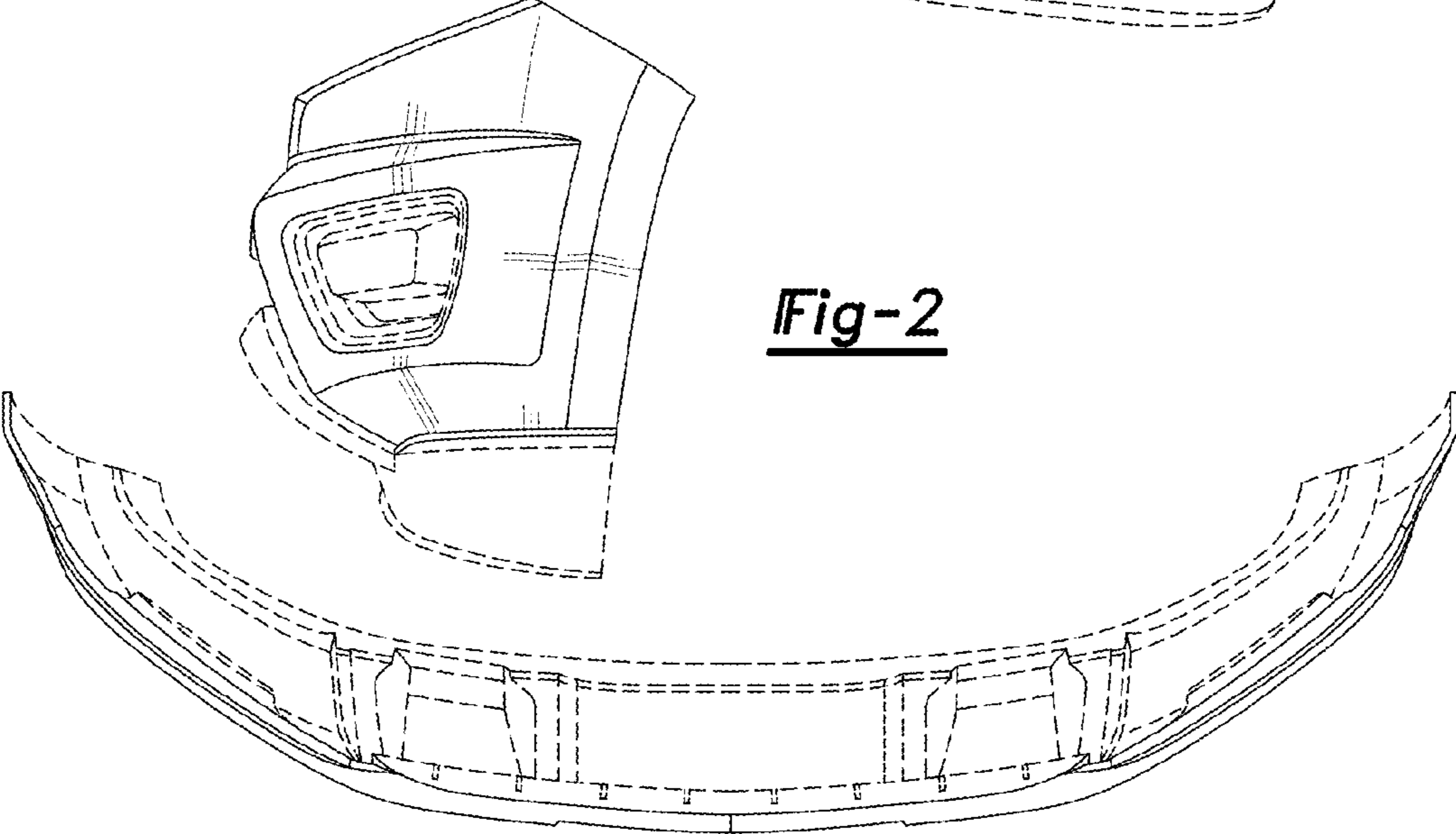


Fig-2

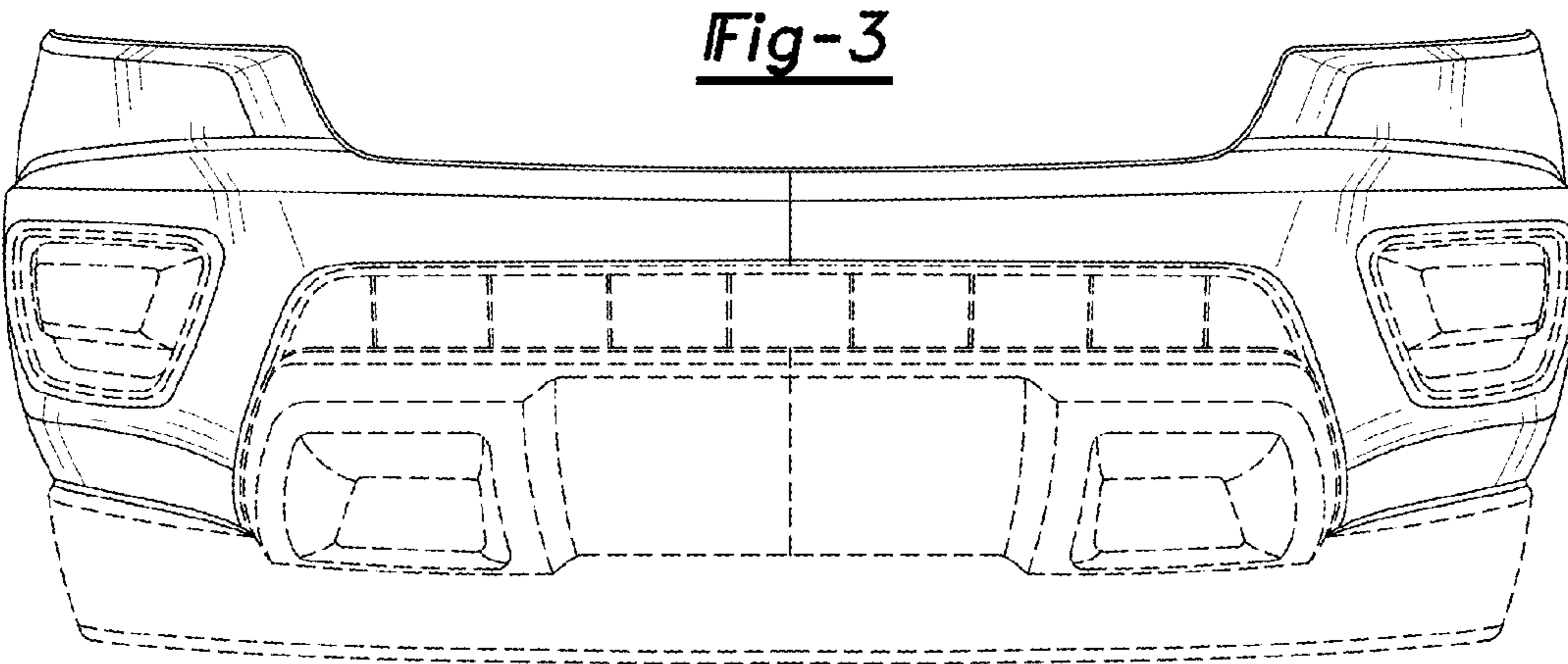


Fig-3



Fig-4