



US00D753557S

(12) **United States Design Patent**
Frascella

(10) **Patent No.:** **US D753,557 S**
(45) **Date of Patent:** **** Apr. 12, 2016**

(54) **VEHICLE BUMPER**

(71) Applicant: **Jaguar Land Rover Limited**, Coventry
(GB)

(72) Inventor: **Massimo Frascella**, Coventry (GB)

(73) Assignee: **JAGUAR LAND ROVER LIMITED**
(GB)

(**) Term: **14 Years**

(21) Appl. No.: **29/501,154**

(22) Filed: **Sep. 2, 2014**

(30) **Foreign Application Priority Data**

Mar. 5, 2014 (EM) 002417881

(51) **LOC (10) Cl.** **12-16**

(52) **U.S. Cl.**
USPC **D12/169**

(58) **Field of Classification Search**
USPC D12/169, 216, 90-92, 86, 171, 196,
D12/163; 293/102, 113, 115, 117, 120;
296/180.1, 180.2

CPC . B60R 19/52; B60R 2019/25; B62D 25/0845

See application file for complete search history.

(56) **References Cited**

U.S. PATENT DOCUMENTS

D705,706 S * 5/2014 Kawasaki D12/169
D706,171 S * 6/2014 Bischoff D12/91
D716,695 S * 11/2014 Woolley D12/91
D718,188 S * 11/2014 Wheel D12/91
D718,681 S * 12/2014 Allen D12/169
D730,788 S * 6/2015 Howell D12/169
D735,610 S * 8/2015 Wheel D12/91
D736,683 S * 8/2015 Glover D12/169

* cited by examiner

Primary Examiner — Melody Brown

(74) *Attorney, Agent, or Firm* — Fishman Stewart PLLC

(57) **CLAIM**

The ornamental design for a vehicle bumper, as shown and described.

DESCRIPTION

FIG. 1 is a left front perspective view of a vehicle bumper; FIG. 2 is a right rear perspective view of a vehicle bumper; FIG. 3 is a front view of a vehicle bumper; FIG. 4 is a rear view of a vehicle bumper; FIG. 5 is a left side view of a vehicle bumper; FIG. 6 is a right side view of a vehicle bumper; FIG. 7 is a top view of a vehicle bumper; and, FIG. 8 is right front perspective view of a vehicle with the vehicle bumper in the installed position. Portions of the vehicle FIGS. 1-8 shown in diagonal lines are for illustrative purposes only and form no part of the claimed design.

1 Claim, 7 Drawing Sheets

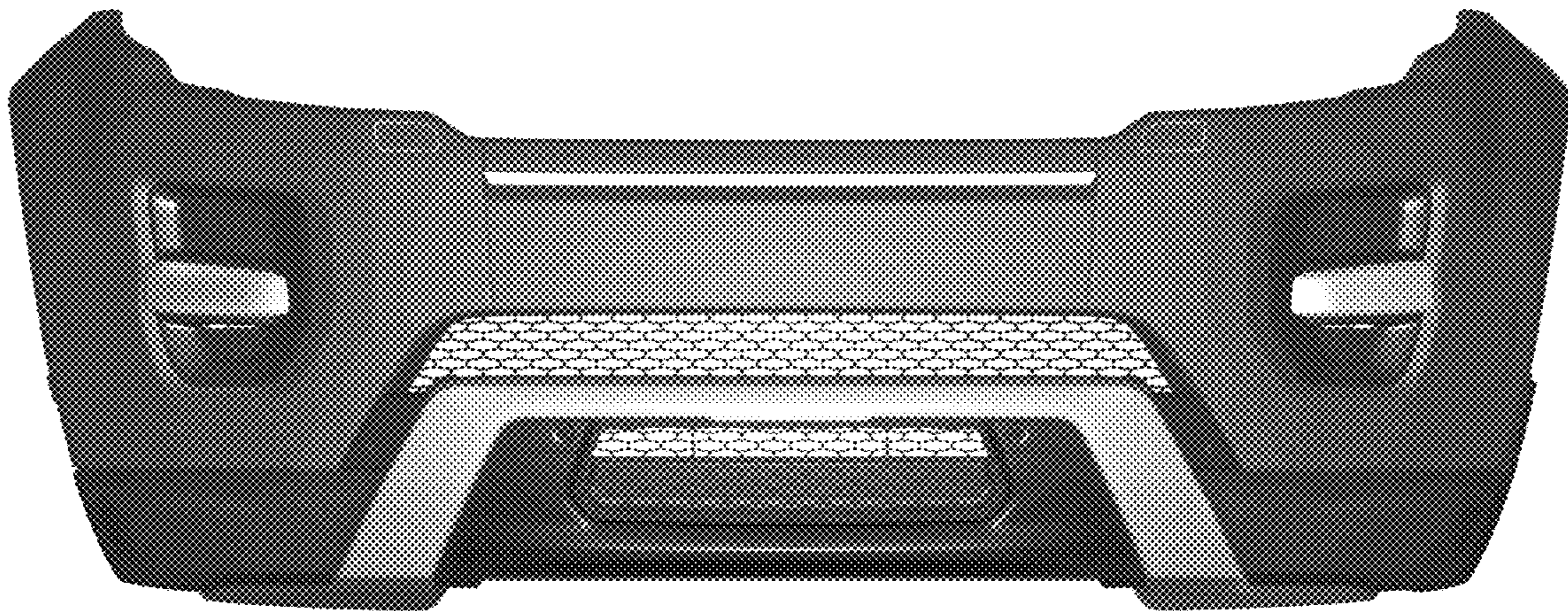




FIG. 1

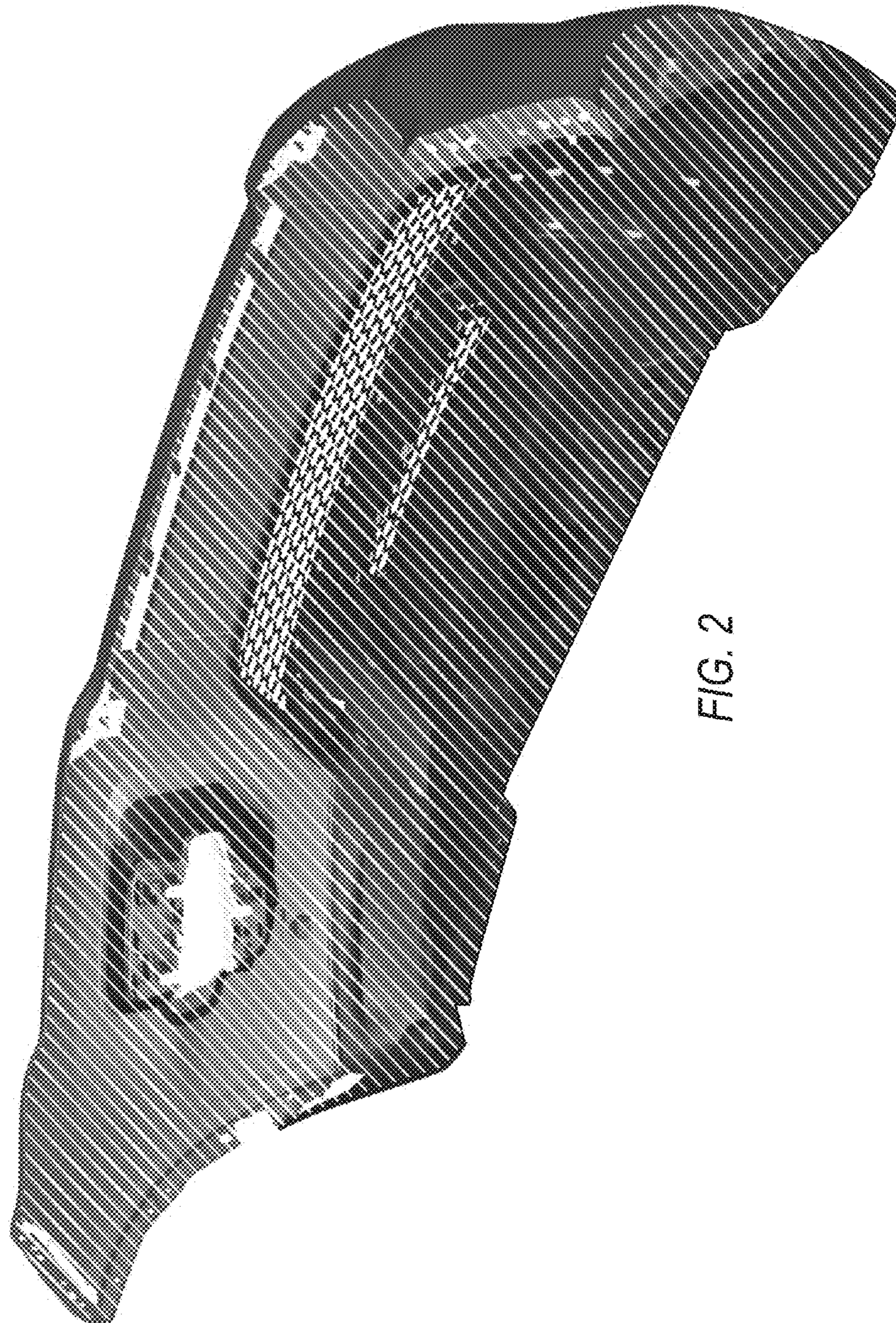


FIG. 2

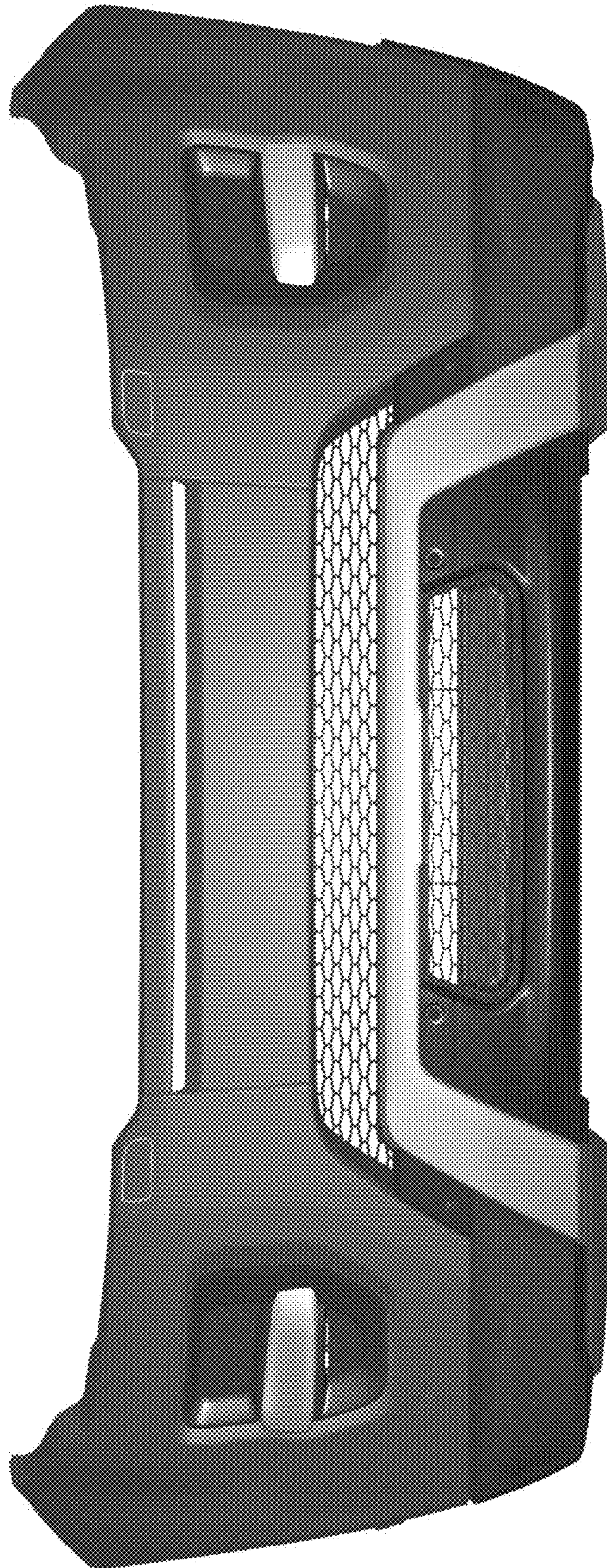


FIG. 3

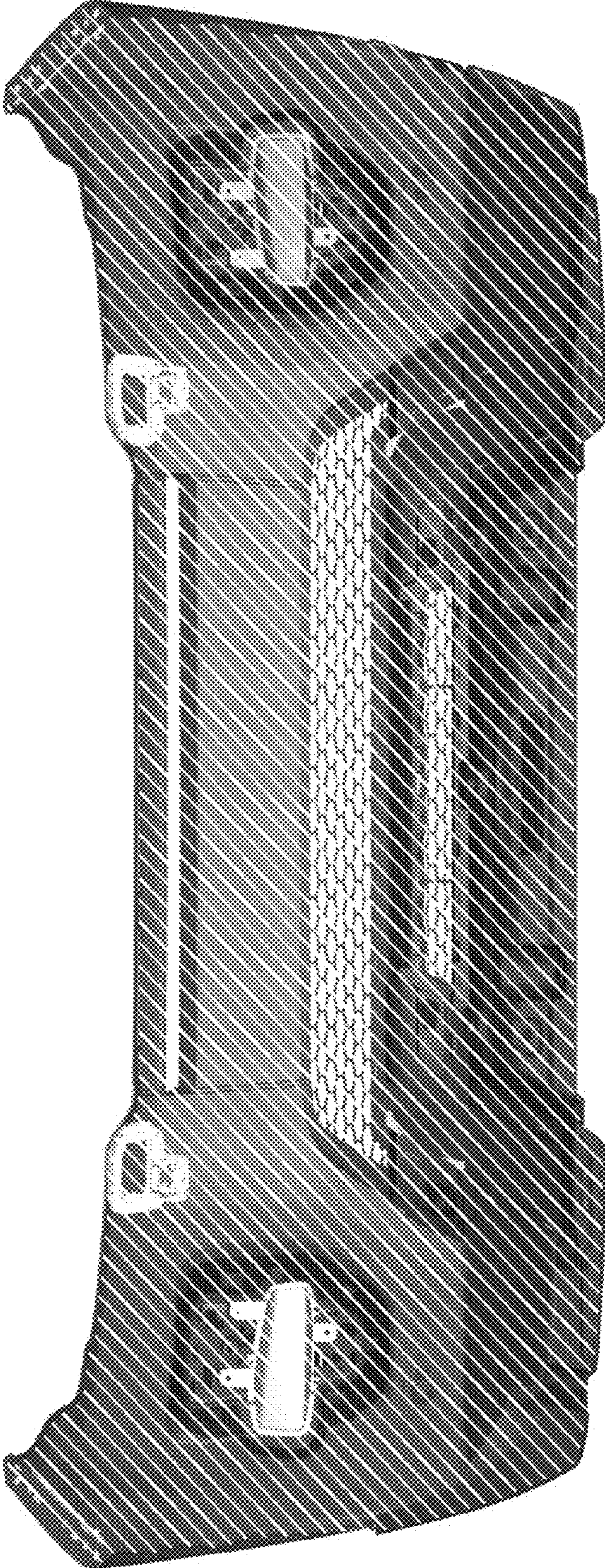


FIG. 4

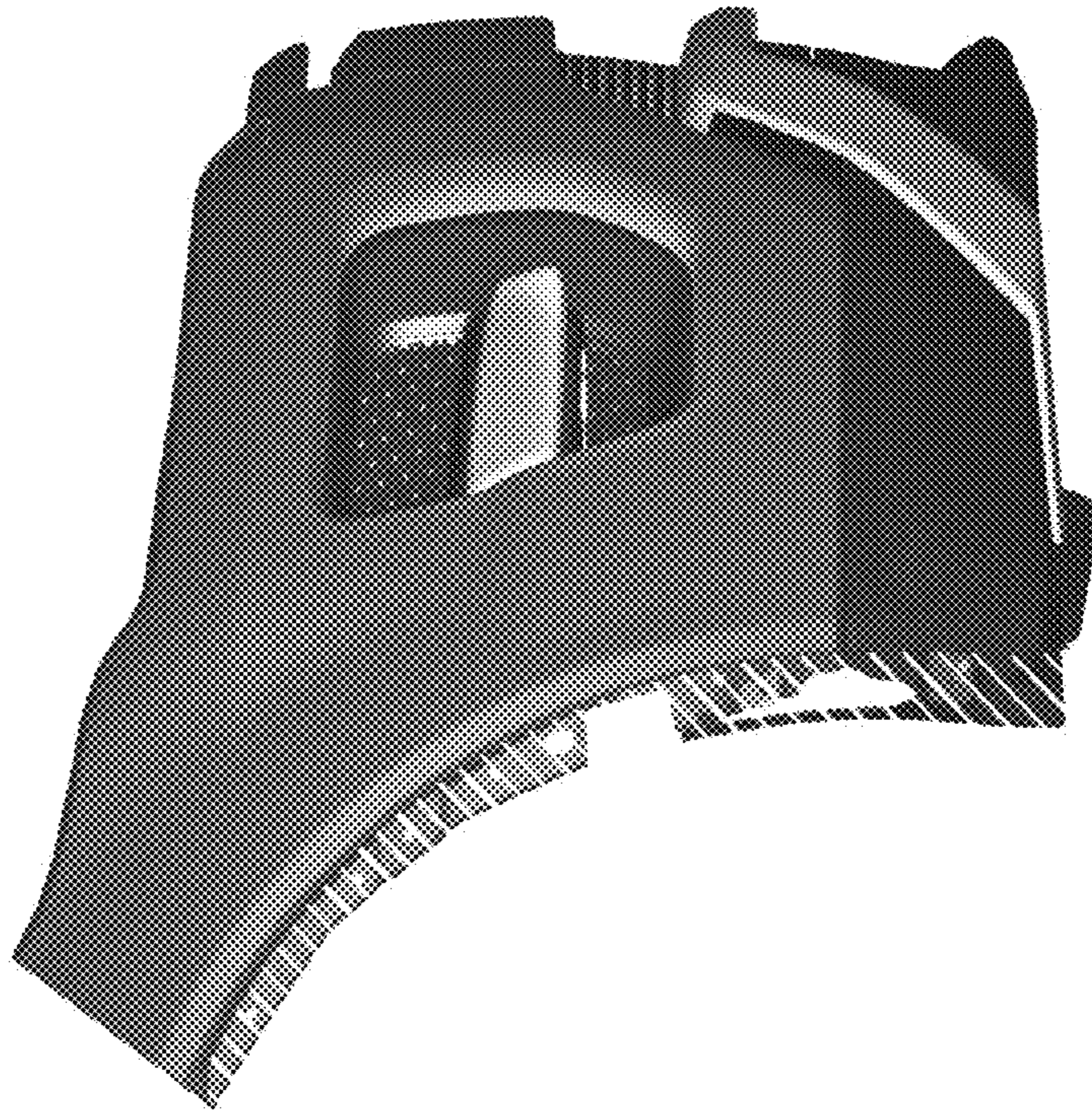


FIG. 6

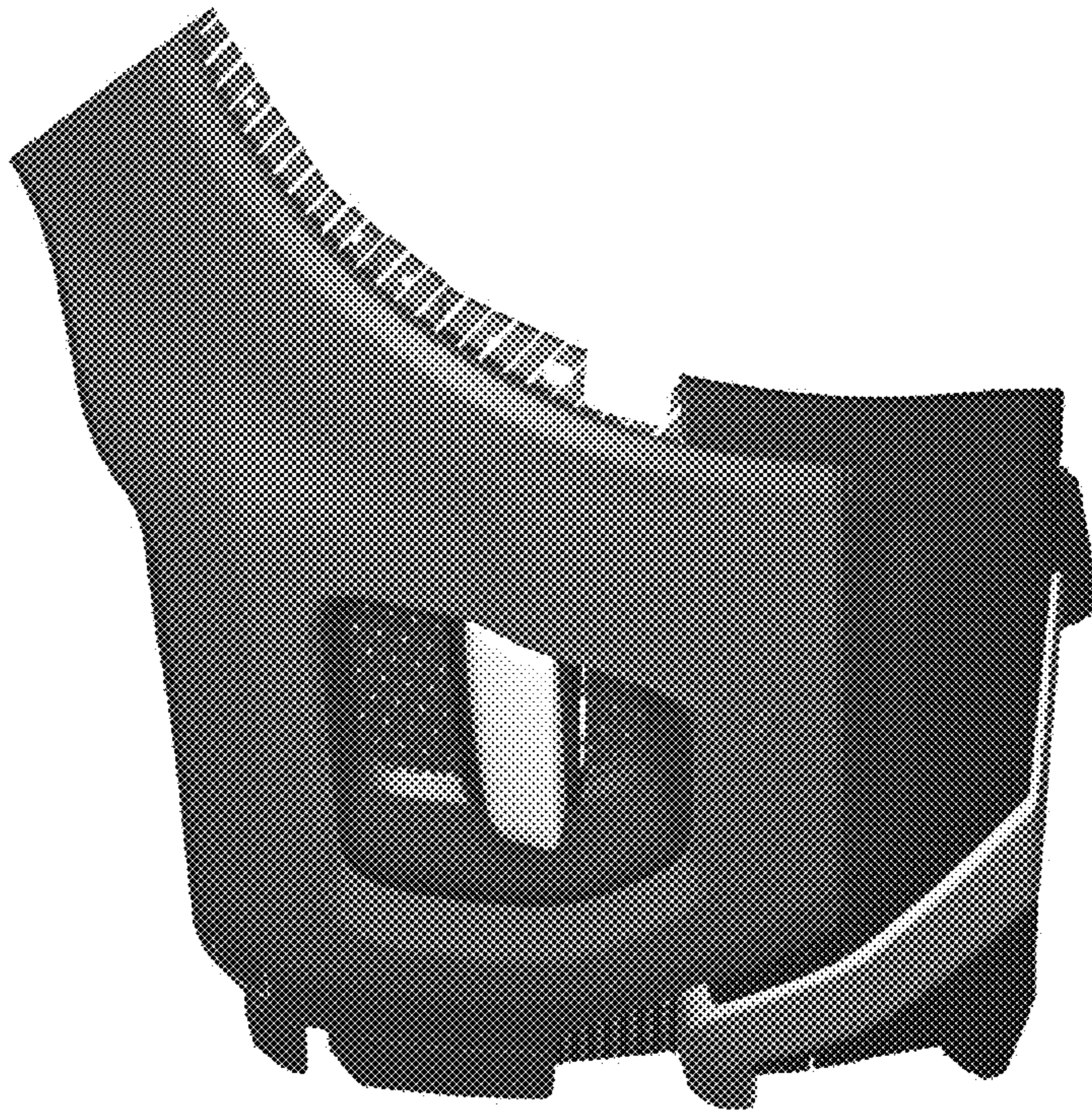


FIG. 5

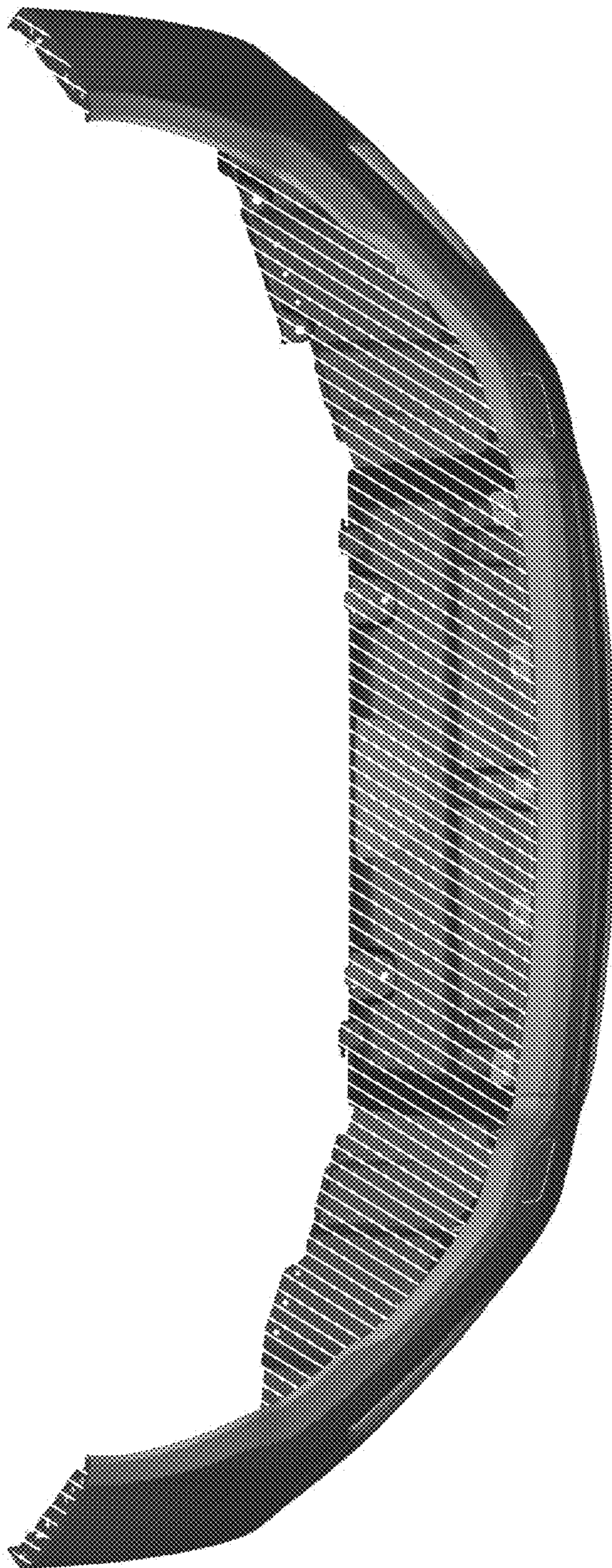


FIG. 7



FIG. 8