



US00D753555S

(12) **United States Design Patent**  
**Behmer et al.**

(10) **Patent No.:** **US D753,555 S**  
(45) **Date of Patent:** **\*\* Apr. 12, 2016**

(54) **VEHICLE FRONT UPPER GRILLE**

D712,797 S \* 9/2014 Mays ..... D12/163  
D722,924 S \* 2/2015 George ..... D12/163  
D726,600 S \* 4/2015 Grake ..... D12/163  
D727,223 S \* 4/2015 Grake ..... D12/163

(71) Applicant: **Ford Motor Company**, Dearborn, MI (US)

(72) Inventors: **Darrell Behmer**, Novi, MI (US); **Henry Bernardo**, Southfield, MI (US); **Damon Depeyster**, Northville, MI (US)

(73) Assignee: **Ford Motor Company**, Dearborn, MI (US)

(\*\*) Term: **14 Years**

(21) Appl. No.: **29/508,859**

(22) Filed: **Nov. 12, 2014**

(51) **LOC (10) Cl.** ..... **12-16**

(52) **U.S. Cl.**  
USPC ..... **D12/163**

(58) **Field of Classification Search**  
USPC ..... D12/163, 196, 86, 90-92, 171, 169,  
D12/216; 180/68.1, 68.6; 293/193.11  
CPC ..... B62D 25/08; B62B 9/16; B60K 11/08;  
B60R 19/52  
See application file for complete search history.

(56) **References Cited**

**U.S. PATENT DOCUMENTS**

D610,495 S 2/2010 Bucher et al.  
D630,138 S 1/2011 Bucher et al.  
D680,033 S \* 4/2013 Behmer ..... D12/163  
D691,929 S 10/2013 Betancourt et al.  
D702,601 S \* 4/2014 Wada ..... D12/163  
D708,993 S \* 7/2014 Mays ..... D12/163

**OTHER PUBLICATIONS**

Jason Udy. Spied: Refreshed 2016 Ford Explorer Loses Some Camo. Oct. 11, 2014 [online], [retrieved on Nov. 3, 2014] Retrieved from the Internet <URL: [http://wot.motortrend.com/1410\\_spied\\_refreshed\\_2016\\_ford\\_explorer\\_loses\\_some\\_camo.html](http://wot.motortrend.com/1410_spied_refreshed_2016_ford_explorer_loses_some_camo.html)>.  
2016 Ford Explorer SUV Review. [retrieved on Nov. 3, 2014] Retrieved from the Internet <URL: <http://www.edmunds.com/ford/explorer/2016/>>.

\* cited by examiner

*Primary Examiner* — Melody N Brown

(74) *Attorney, Agent, or Firm* — Damian Porcari

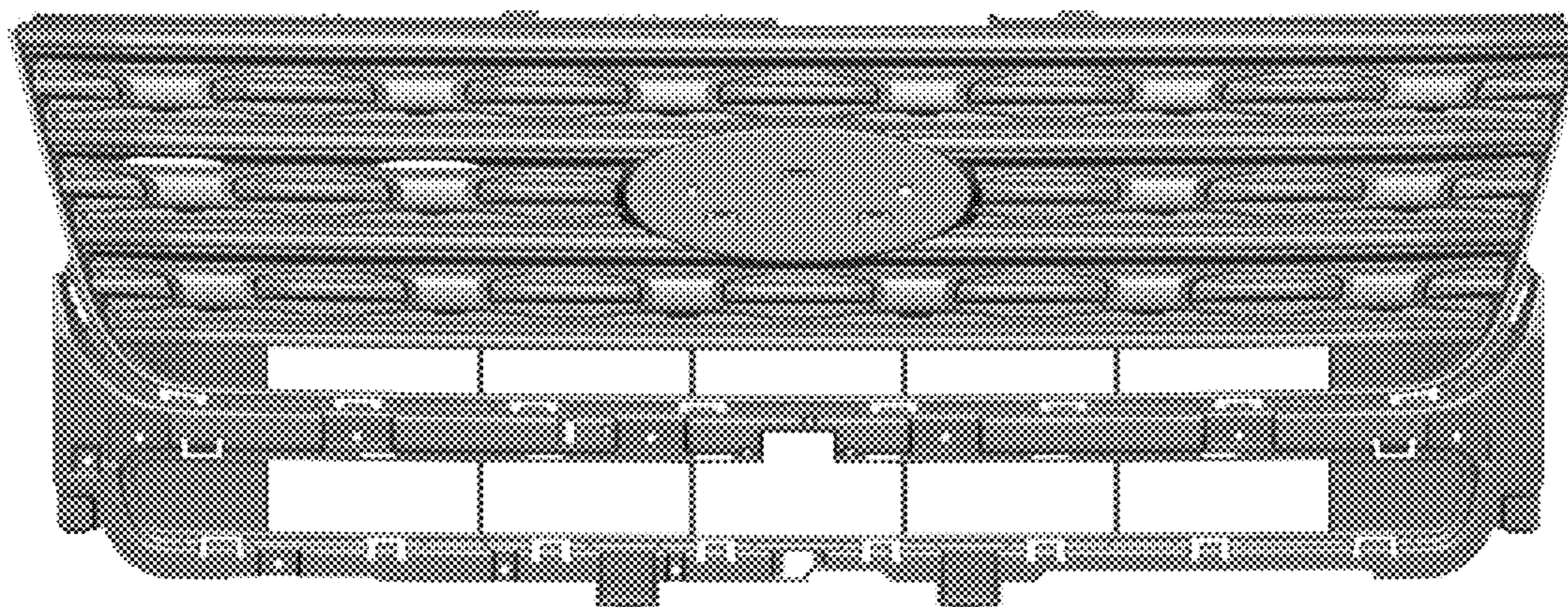
(57) **CLAIM**

The ornamental design for a vehicle front upper grille, as shown and described.

**DESCRIPTION**

FIG. 1 is a top left perspective view of a vehicle front upper grille;  
FIG. 2 is a top right perspective view thereof;  
FIG. 3 is a top rear perspective view thereof,  
FIG. 4 is a front elevational view thereof,  
FIG. 5 is a rear elevational view thereof;  
FIG. 6 is a left side elevational view thereof;  
FIG. 7 is a right side elevational view thereof;  
FIG. 8 is a top plan view thereof; and,  
FIG. 9 is a bottom plan view thereof.

**1 Claim, 9 Drawing Sheets**





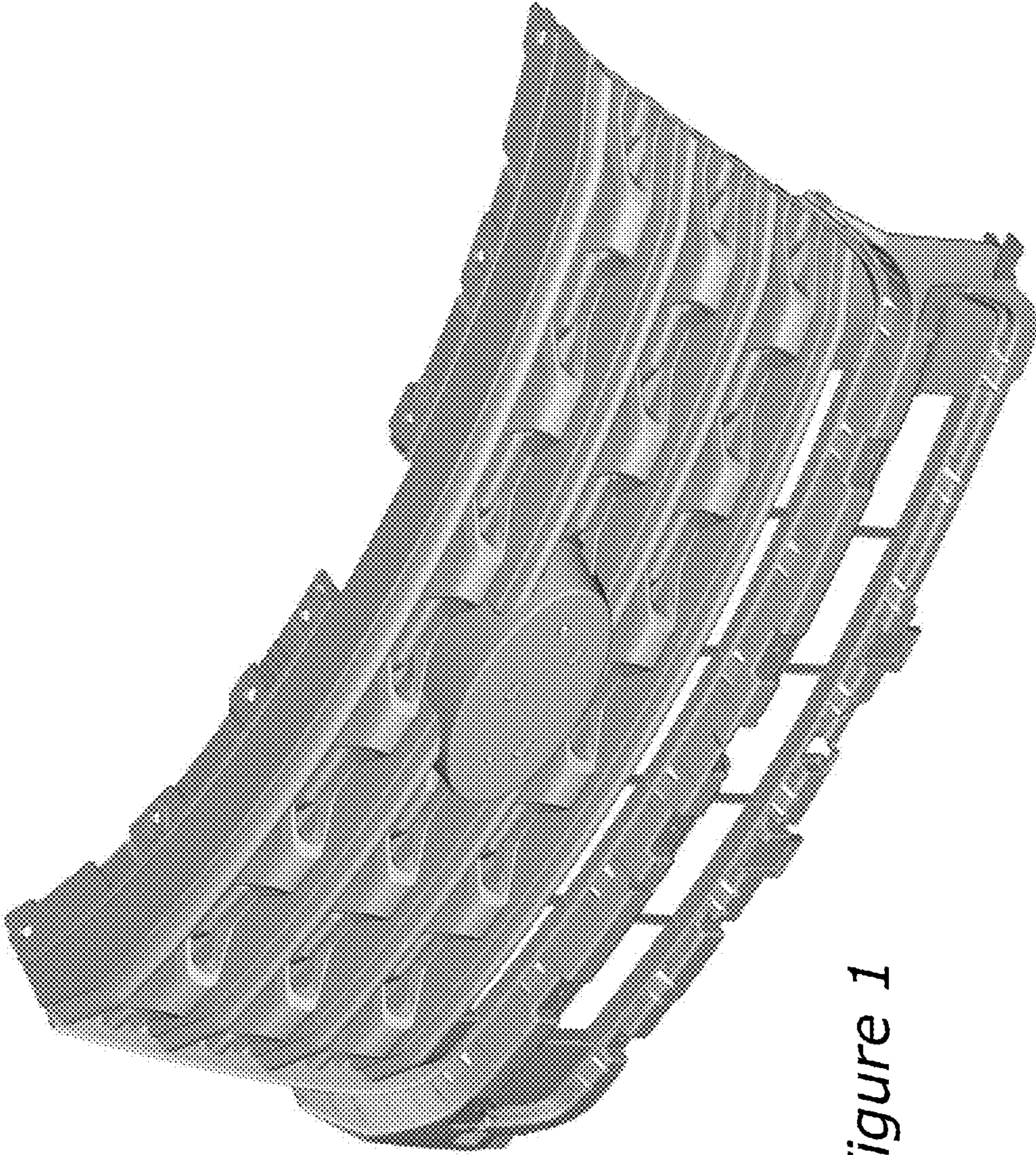


Figure 1



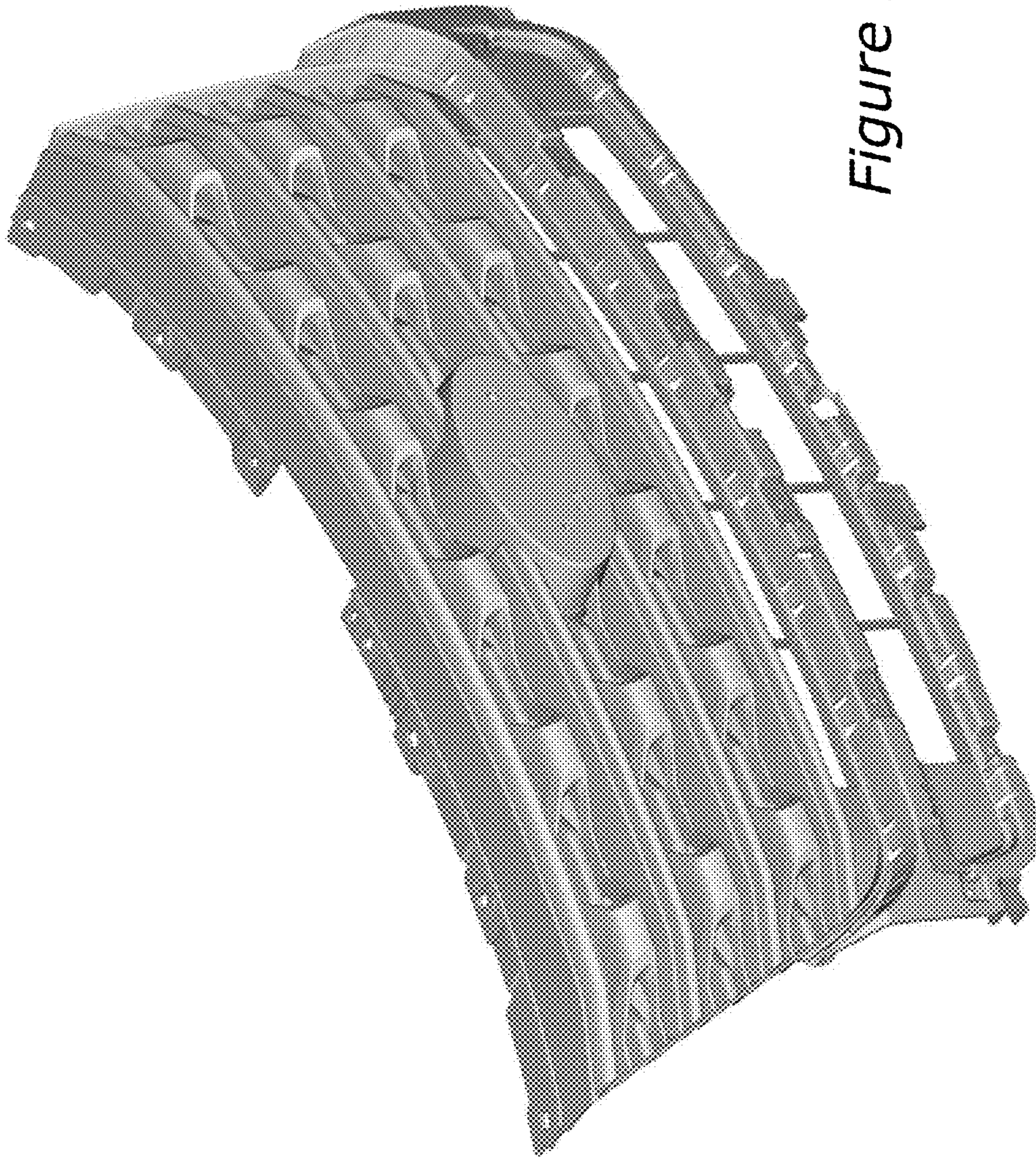


Figure 2



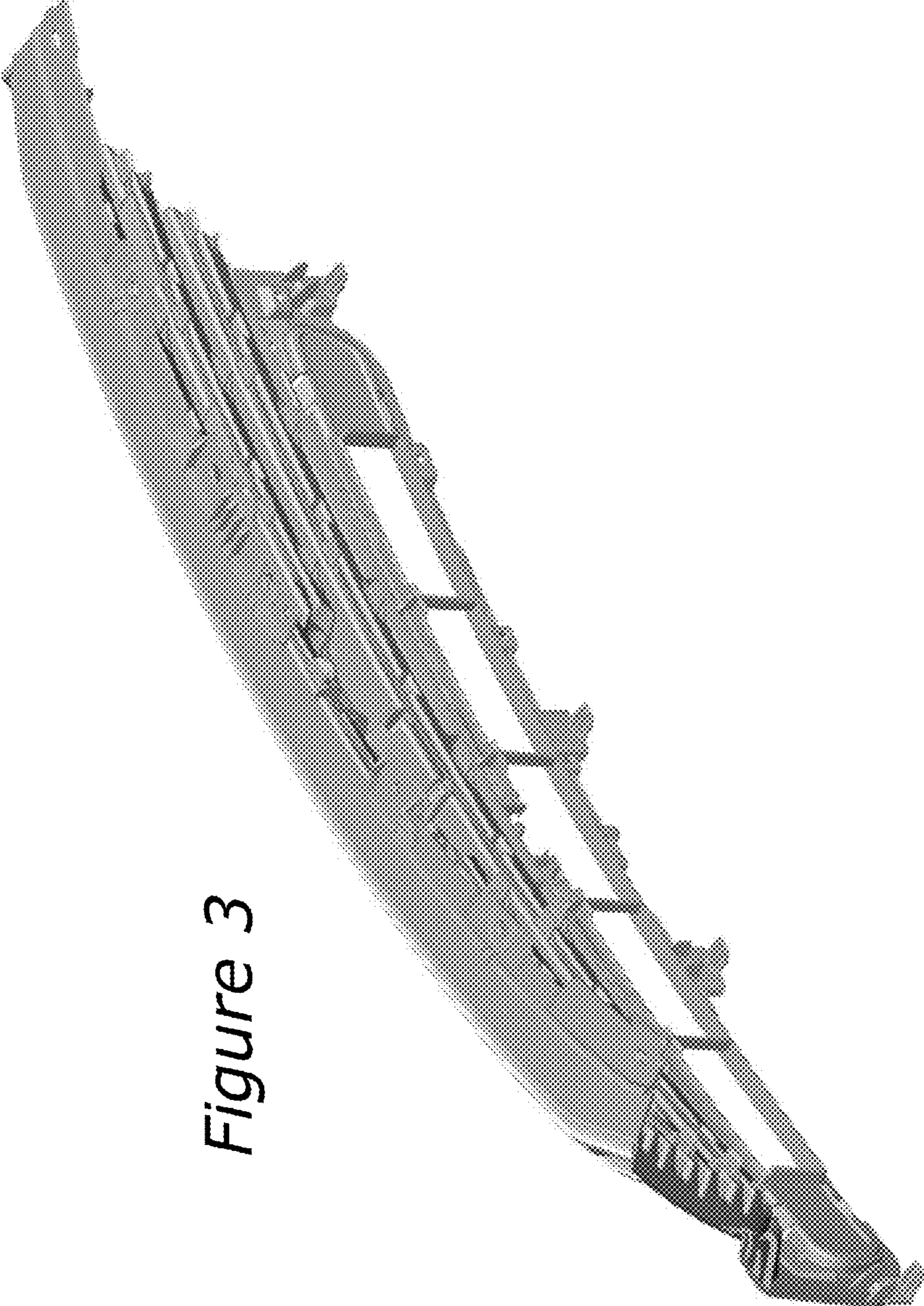


Figure 3



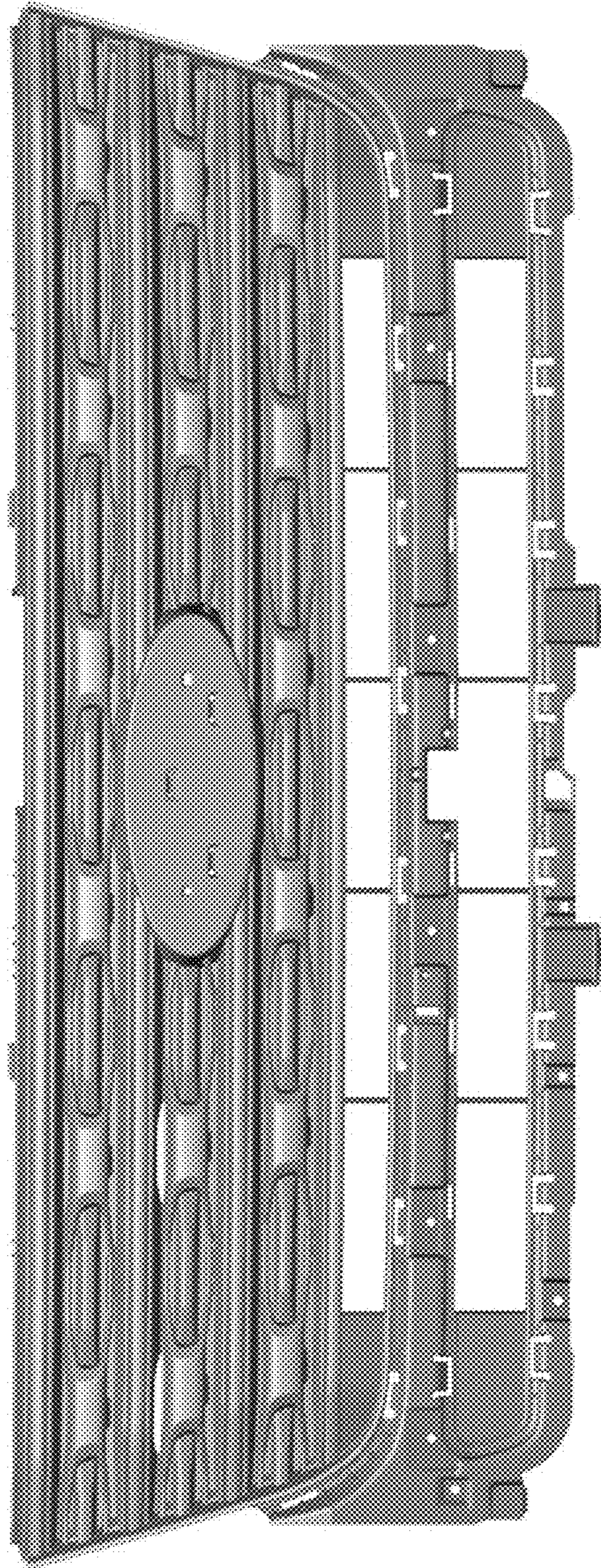


Figure 4



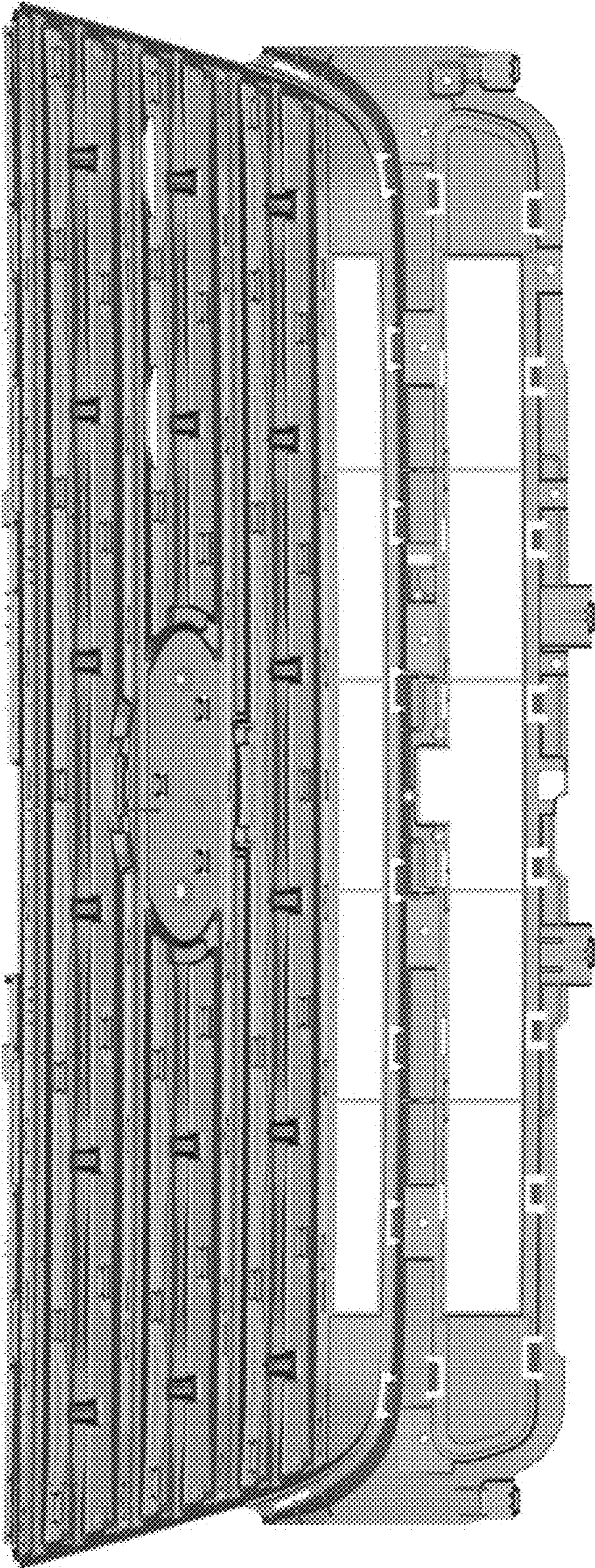


Figure 5



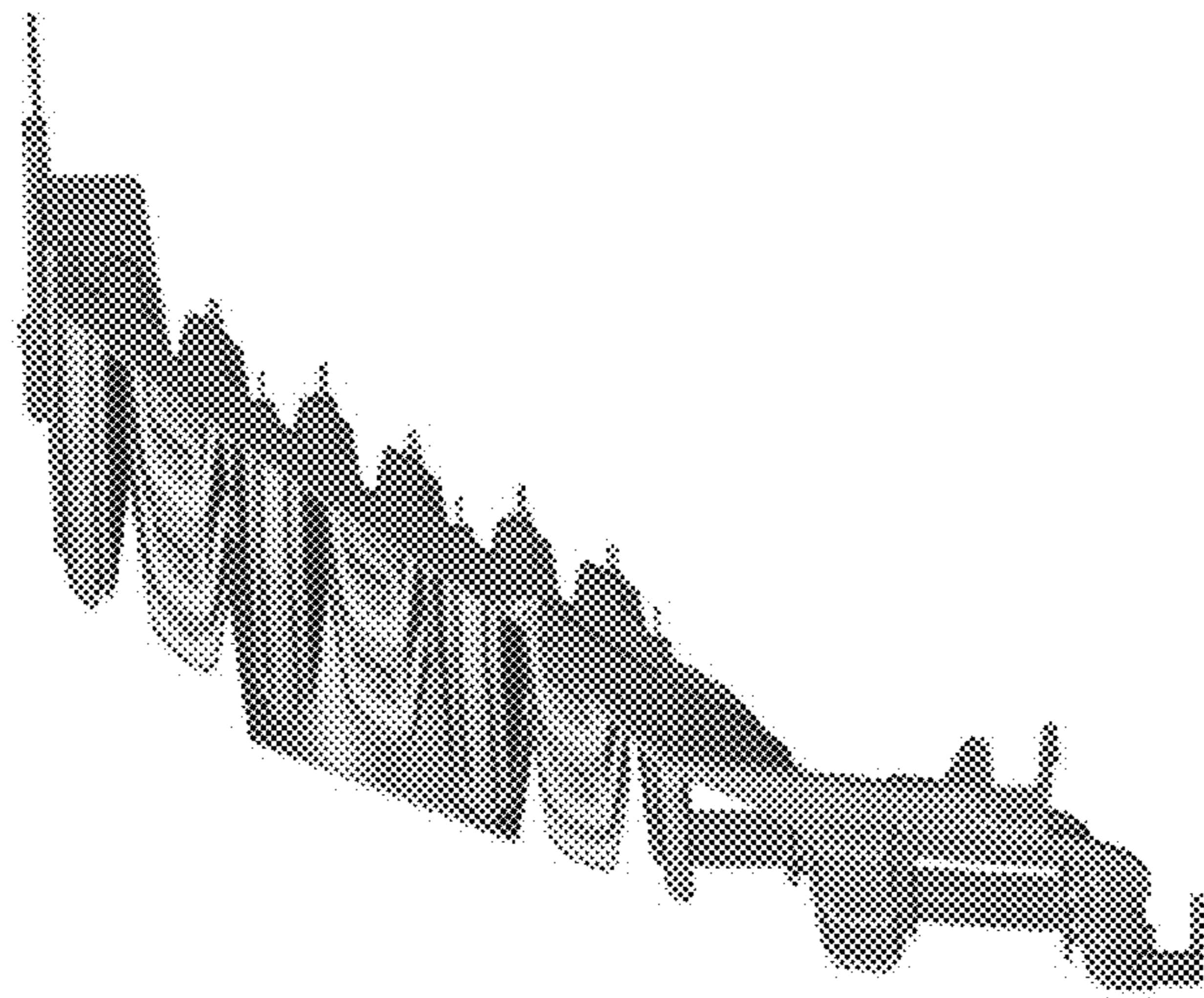


Figure 6

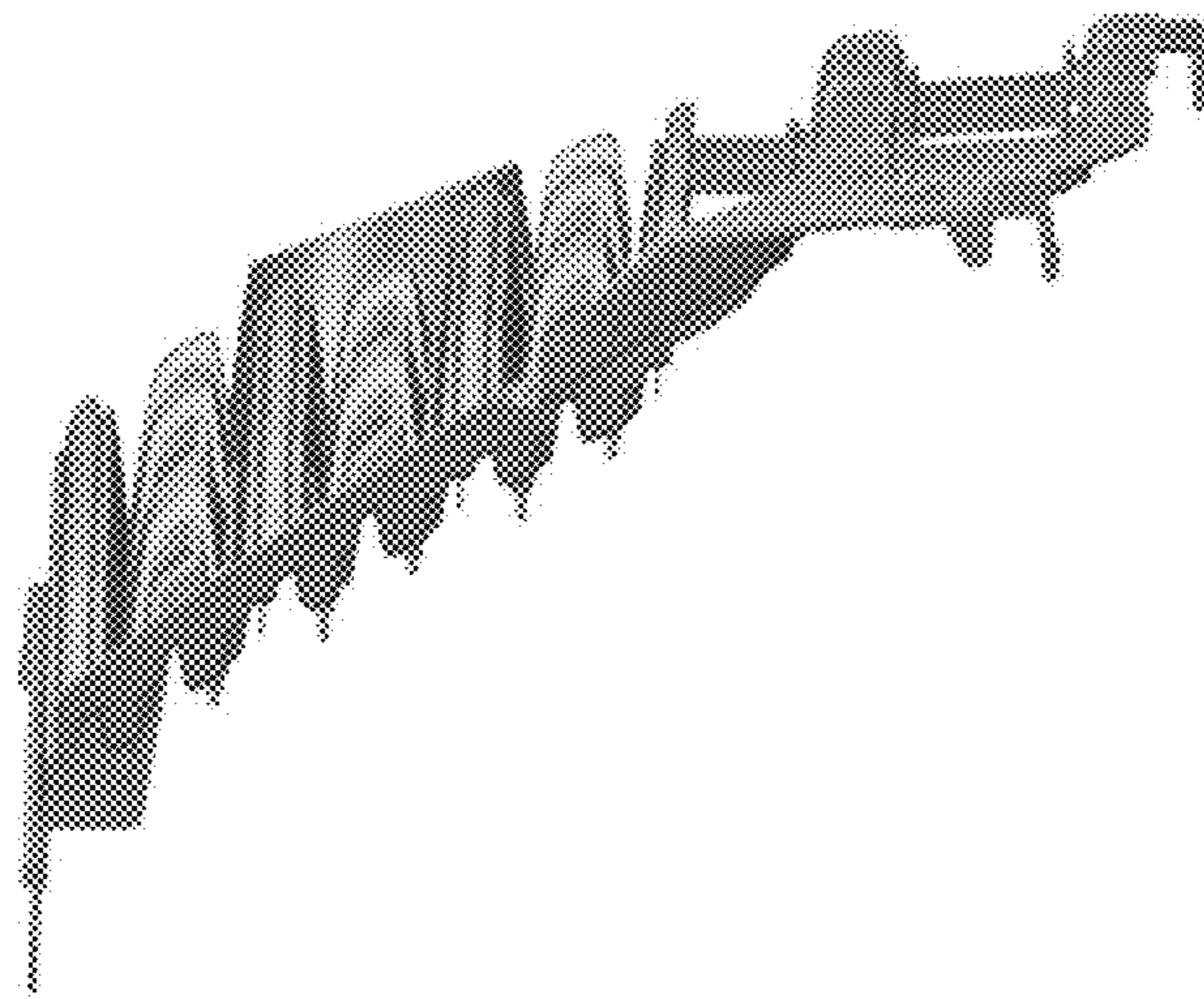


Figure 7



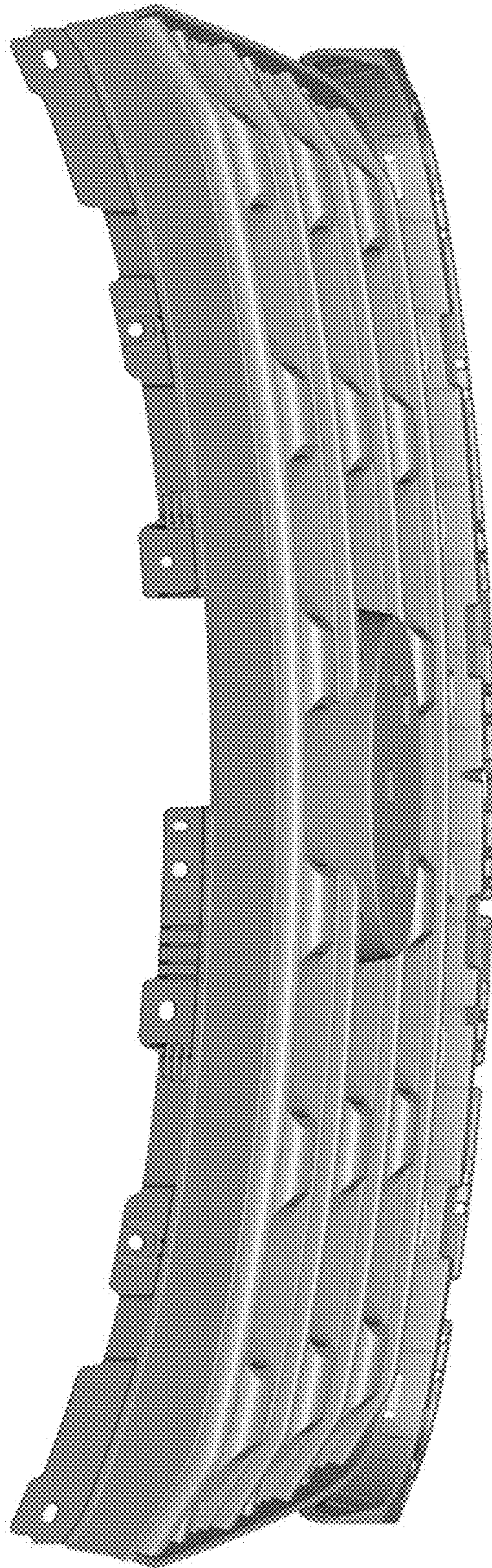


Figure 8



Figure 9

