



US00D753552S

(12) **United States Design Patent**  
**McGinley et al.**

(10) **Patent No.:** **US D753,552 S**  
(45) **Date of Patent:** **\*\* Apr. 12, 2016**

(54) **MOTORCYCLE**

CPC ..... B62D 37/00; B62D 57/00; B62K 9/00;  
B62K 11/04; B62K 17/00; B62K 19/48;  
B62M 7/12; F02B 61/02; A63H 17/21;  
B62J 17/00; B62J 17/04; B62J 29/00  
See application file for complete search history.

(71) Applicant: **Harley-Davidson Motor Company Group, LLC**, Milwaukee, WI (US)

(72) Inventors: **Ben McGinley**, Glendale, WI (US); **Jim Williams**, Waterford, WI (US); **Ben Lund**, Delafield, WI (US); **Vance Strader**, Greenfield, WI (US); **Kirk Rasmussen**, Wales, WI (US); **Michael W. Alstrin**, Sussex, WI (US); **Rich Christoph**, Medina, MN (US); **Brian Flick**, Medina, MN (US); **Willie G. Davidson**, Delafield, WI (US); **Stephen R. Collins**, Oconomowoc, WI (US)

(56) **References Cited**

U.S. PATENT DOCUMENTS

D299,710 S 2/1989 Iwakura et al.  
D383,096 S \* 9/1997 Abe ..... D12/110

(Continued)

OTHER PUBLICATIONS

Office Action from the U.S. Appl. No. 29/482,276 dated Aug. 27, 2014 (9 pages).

(Continued)

(73) Assignee: **Harley-Davidson Motor Company Group, LLC**, Milwaukee, WI (US)

(\*\*) Term: **14 Years**

*Primary Examiner* — Philip S Hyder

*Assistant Examiner* — Darlington Ly

(21) Appl. No.: **29/510,288**

(74) *Attorney, Agent, or Firm* — Michael Best & Friedrich LLP

(22) Filed: **Nov. 26, 2014**

**Related U.S. Application Data**

(62) Division of application No. 29/482,276, filed on Feb. 17, 2014, now abandoned.

(51) **LOC (10) Cl.** ..... **12-11**

(52) **U.S. Cl.**  
USPC ..... **D12/110**

(58) **Field of Classification Search**  
USPC ..... D12/109, 110, 111, 114, 117, 126, 184, D12/186; D21/432, 458, 538; 180/210–217, 180/219, 220, 225, 229, 908; 280/103, 124, 280/152.1–152.3, 288.2, 288.4, 304.3, 770, 280/827, 828, 847, 848; 296/77.1, 78.1, 296/181.1, 187.01, 187.12, 192, 193.01, 296/193.04, 193.05, 193.09; 446/440

(57) **CLAIM**

We claim the ornamental design for a motorcycle, as shown and described.

**DESCRIPTION**

FIG. 1 is a perspective view of a motorcycle, embodying aspects of the invention.

FIG. 2 is a side view of the motorcycle of FIG. 1.

FIG. 3 is an opposite side view of the motorcycle of FIG. 1.

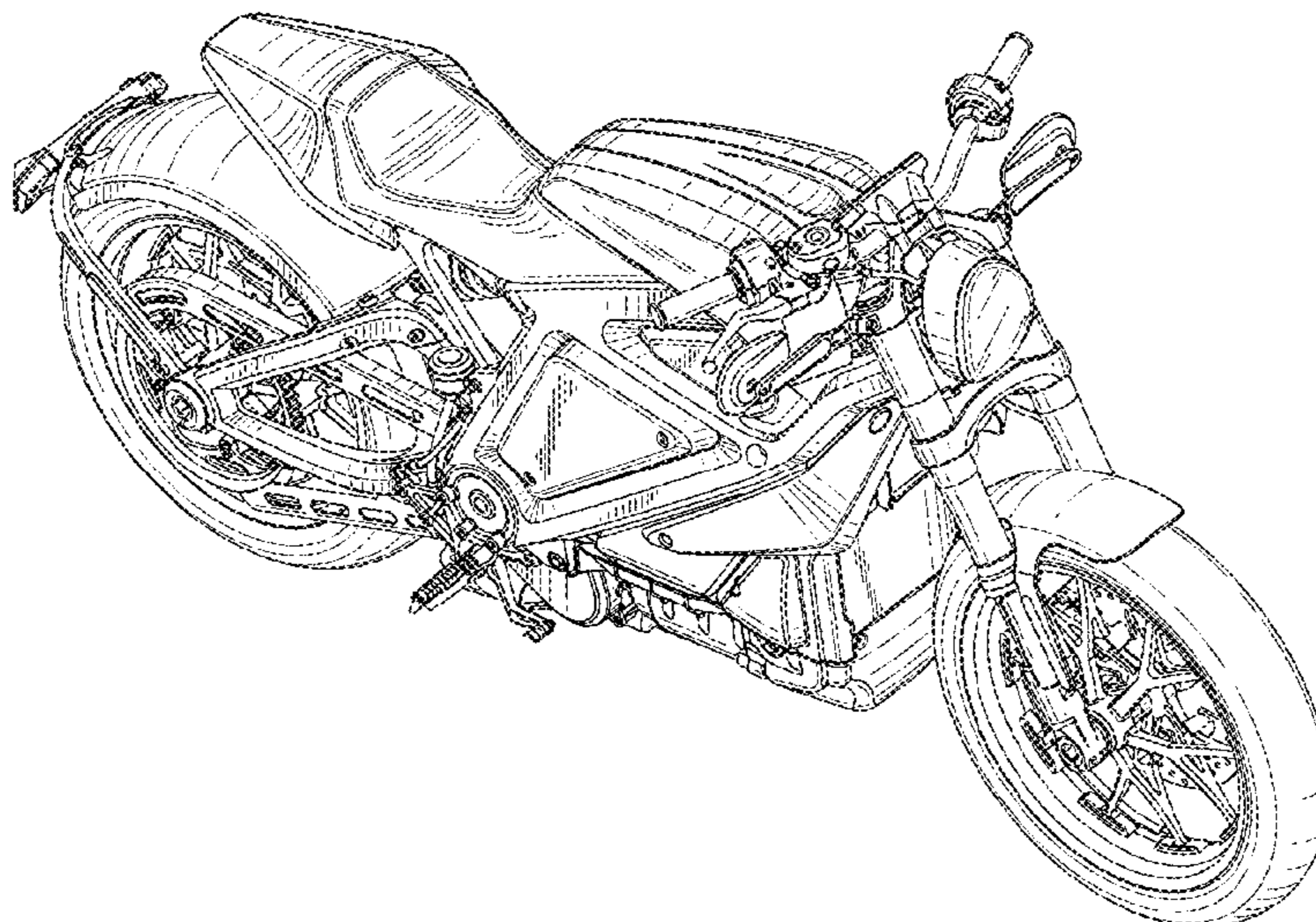
FIG. 4 is a top view of the motorcycle of FIG. 1.

FIG. 5 is a bottom view of the motorcycle of FIG. 1.

FIG. 6 is a front view of the motorcycle of FIG. 1; and,

FIG. 7 is a rear view of the motorcycle of FIG. 1.

**1 Claim, 7 Drawing Sheets**



(56)

References Cited

U.S. PATENT DOCUMENTS

D385,227 S 10/1997 Katoh  
 D388,366 S 12/1997 Nishino  
 D395,621 S 6/1998 Nishino  
 D407,047 S 3/1999 Otsubo et al.  
 D417,415 S 12/1999 Hoagland, IV  
 D442,521 S 5/2001 Pan  
 D444,103 S \* 6/2001 Robb ..... D12/110  
 D456,748 S \* 5/2002 Keating ..... D12/110  
 D462,638 S \* 9/2002 Davidson ..... D12/110  
 D504,640 S \* 5/2005 Conte ..... D12/110  
 D516,468 S \* 3/2006 Kuboshima ..... D12/110  
 D517,957 S \* 3/2006 Savage ..... D12/110  
 D543,905 S \* 6/2007 Domergue ..... D12/110  
 D544,816 S \* 6/2007 Davidson ..... D12/110  
 D550,591 S \* 9/2007 Mugikura ..... D12/110  
 D567,148 S \* 4/2008 Inose ..... D12/110  
 D582,318 S \* 12/2008 Kishi ..... D12/110  
 D582,319 S \* 12/2008 Miwa ..... D12/110  
 D588,503 S \* 3/2009 Idei ..... D12/110  
 D592,106 S \* 5/2009 Shimizu ..... D12/110  
 D594,785 S \* 6/2009 Sasanami ..... D12/110  
 D597,892 S \* 8/2009 Andoh ..... D12/110

7,607,504 B2 \* 10/2009 Yamasaki ..... B62K 11/04  
 180/219  
 D605,087 S \* 12/2009 Wong ..... D12/110  
 D610,044 S \* 2/2010 Sugimoto ..... D12/110  
 D635,060 S \* 3/2011 Ota ..... D12/110  
 D637,523 S 5/2011 Sugimoto et al.  
 D694,154 S \* 11/2013 Arru ..... D12/110  
 D723,979 S \* 3/2015 Yu ..... D12/110  
 D734,214 S \* 7/2015 Honda ..... D12/110  
 2010/0230199 A1 \* 9/2010 Roth ..... B62K 19/38  
 180/219  
 2014/0291051 A1 \* 10/2014 Yoshida ..... F01P 5/06  
 180/229

OTHER PUBLICATIONS

“Harley Davidson unveils New Electric Motorcycle.” The Yucatan Times., Jul. 21, 2014 [online], [retrieved on Aug. 11, 2014]. Retrieved from the Internet <URL: <http://www.theyucatanimes.com/2014/07/harley-davidson-unveils-new-electric-motorcycle/>>.  
 Kuhn, Fran. “2013 Middleweight Sportbike Comparison Test.” Cycle World., Jun. 23, 2013[online], [retrieved on Aug. 11, 2014]. Retrieved from the Internet <URL:<http://www.cycleworld.com/2013/06/23/2013-middleweight-sportbike-comparison-test-review-photos/>>.

\* cited by examiner

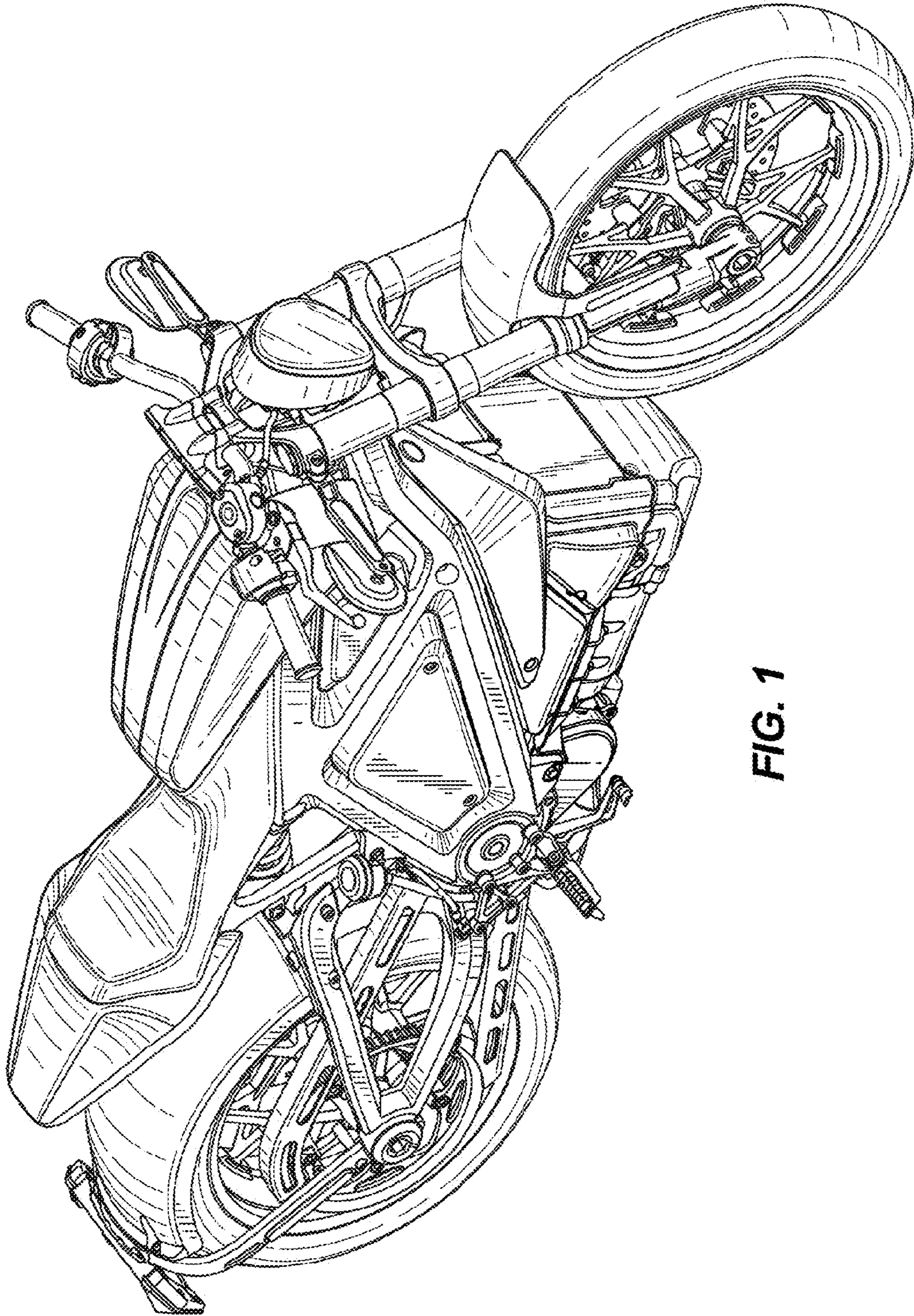


FIG. 1

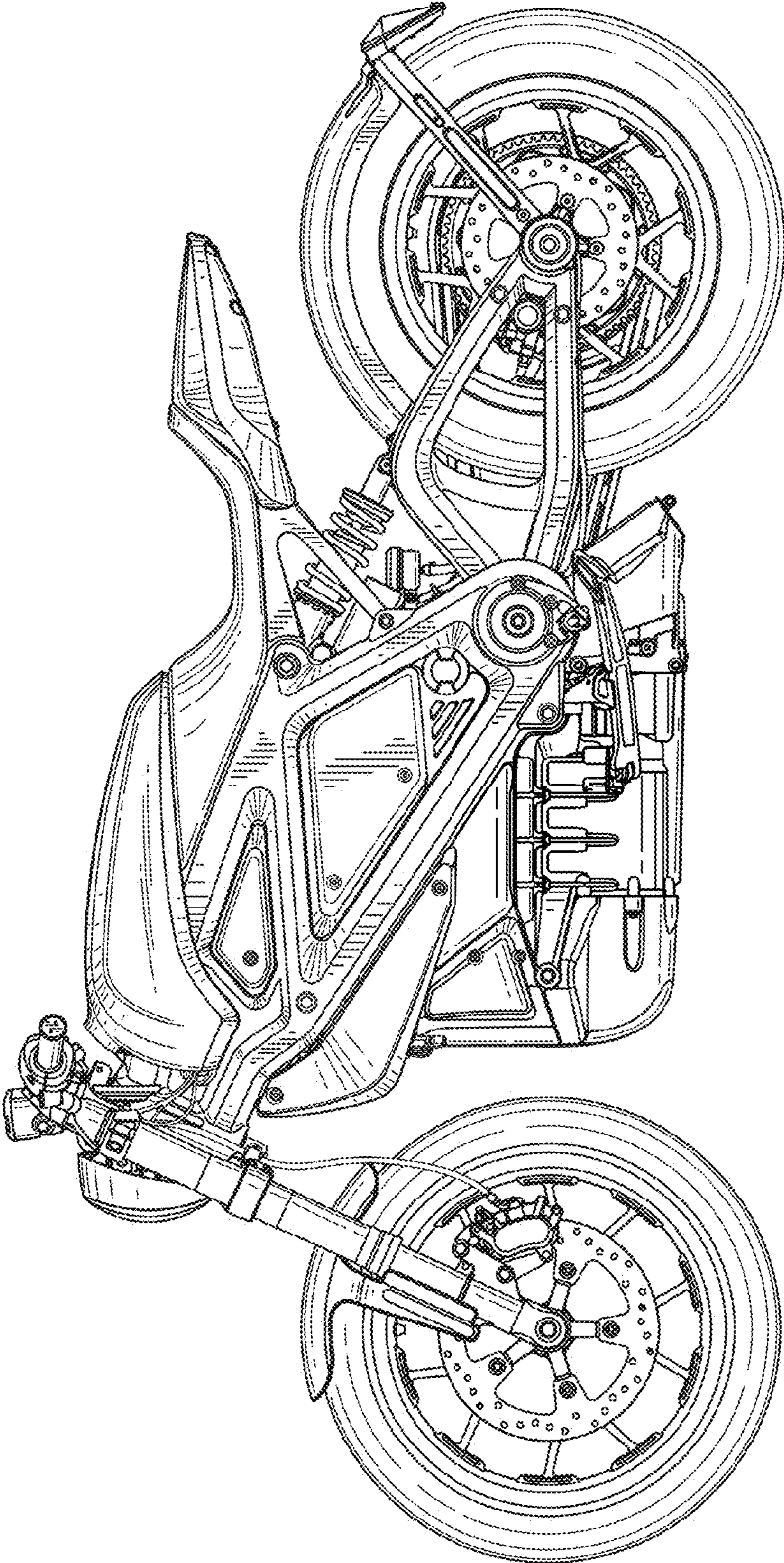


FIG. 2

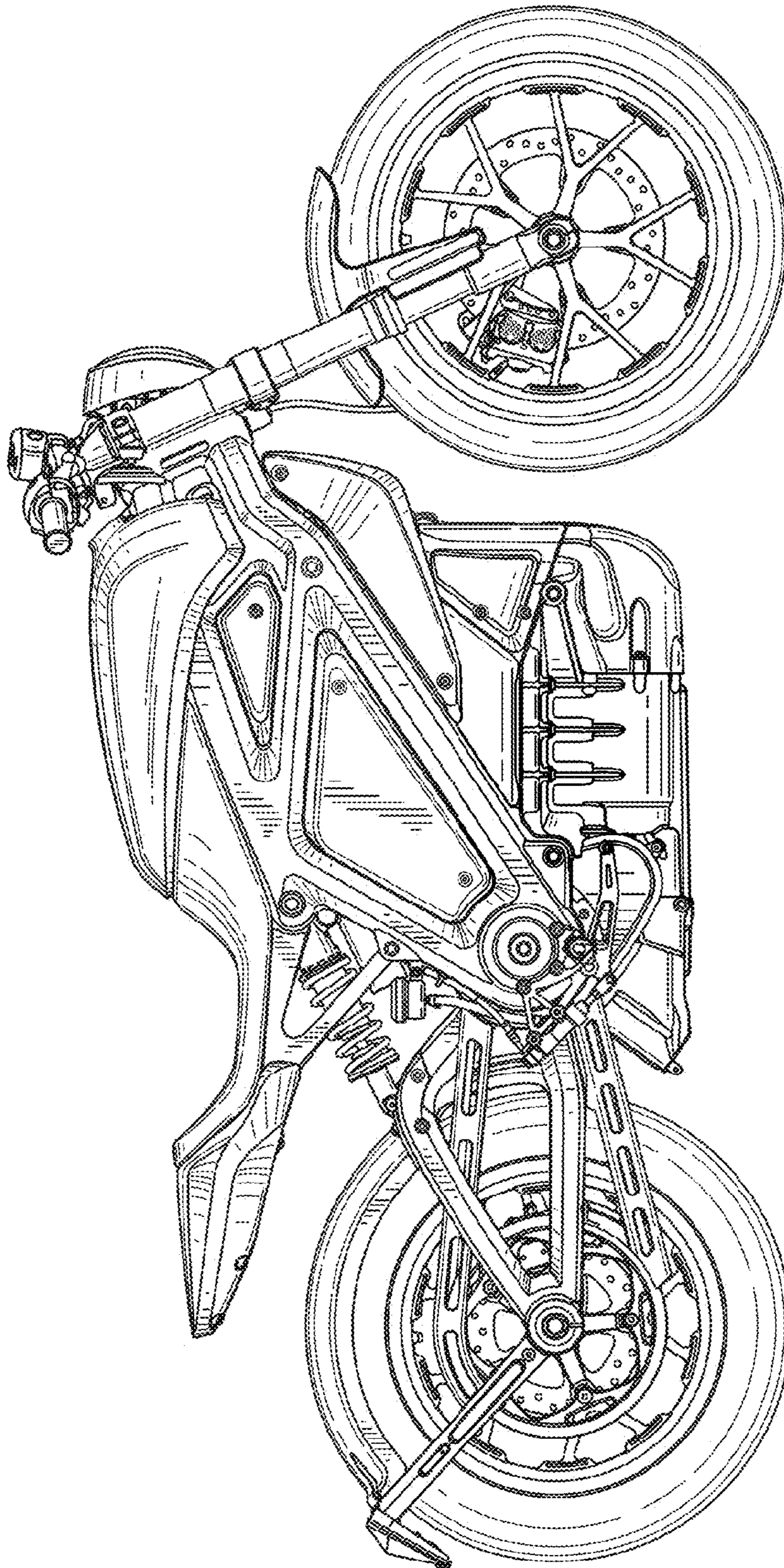


FIG. 3

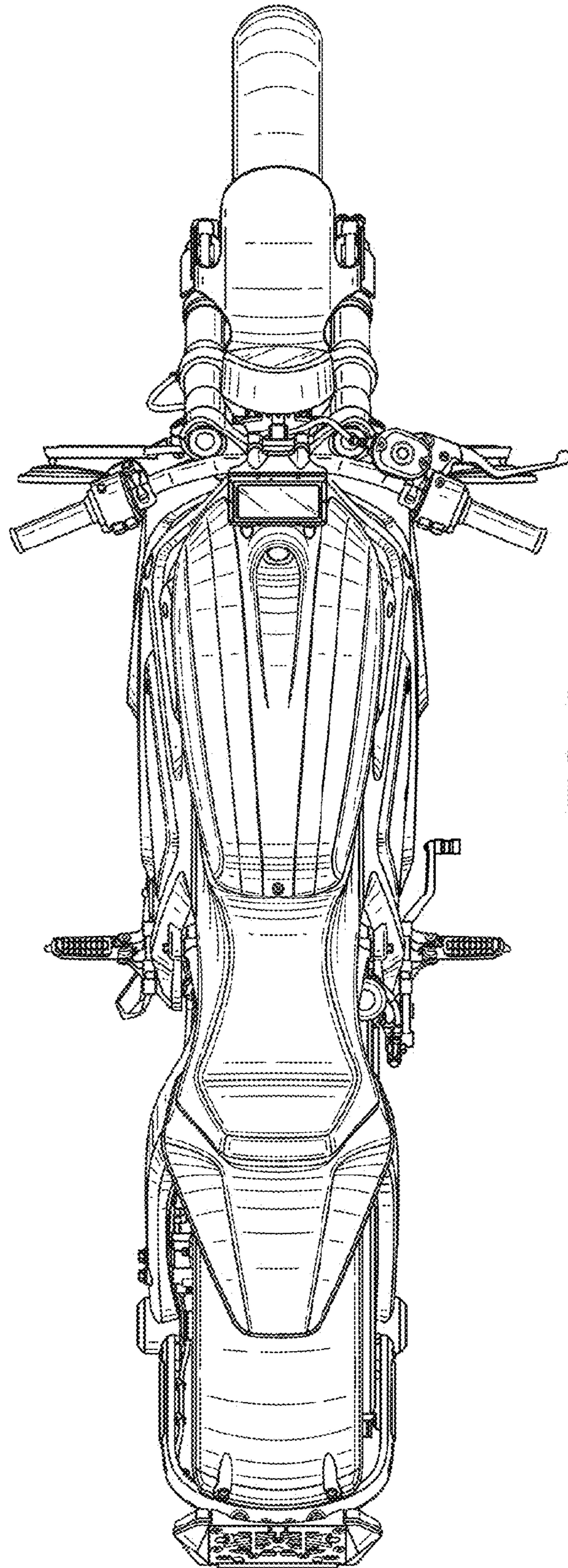


FIG. 4

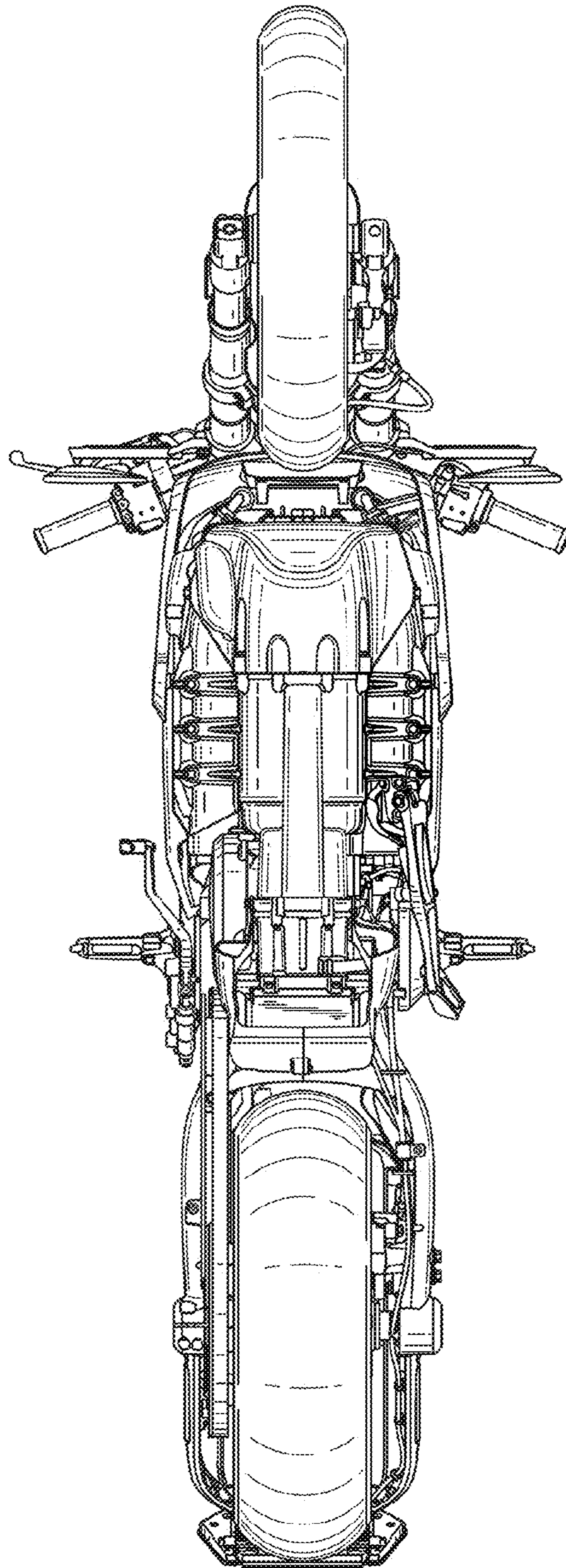
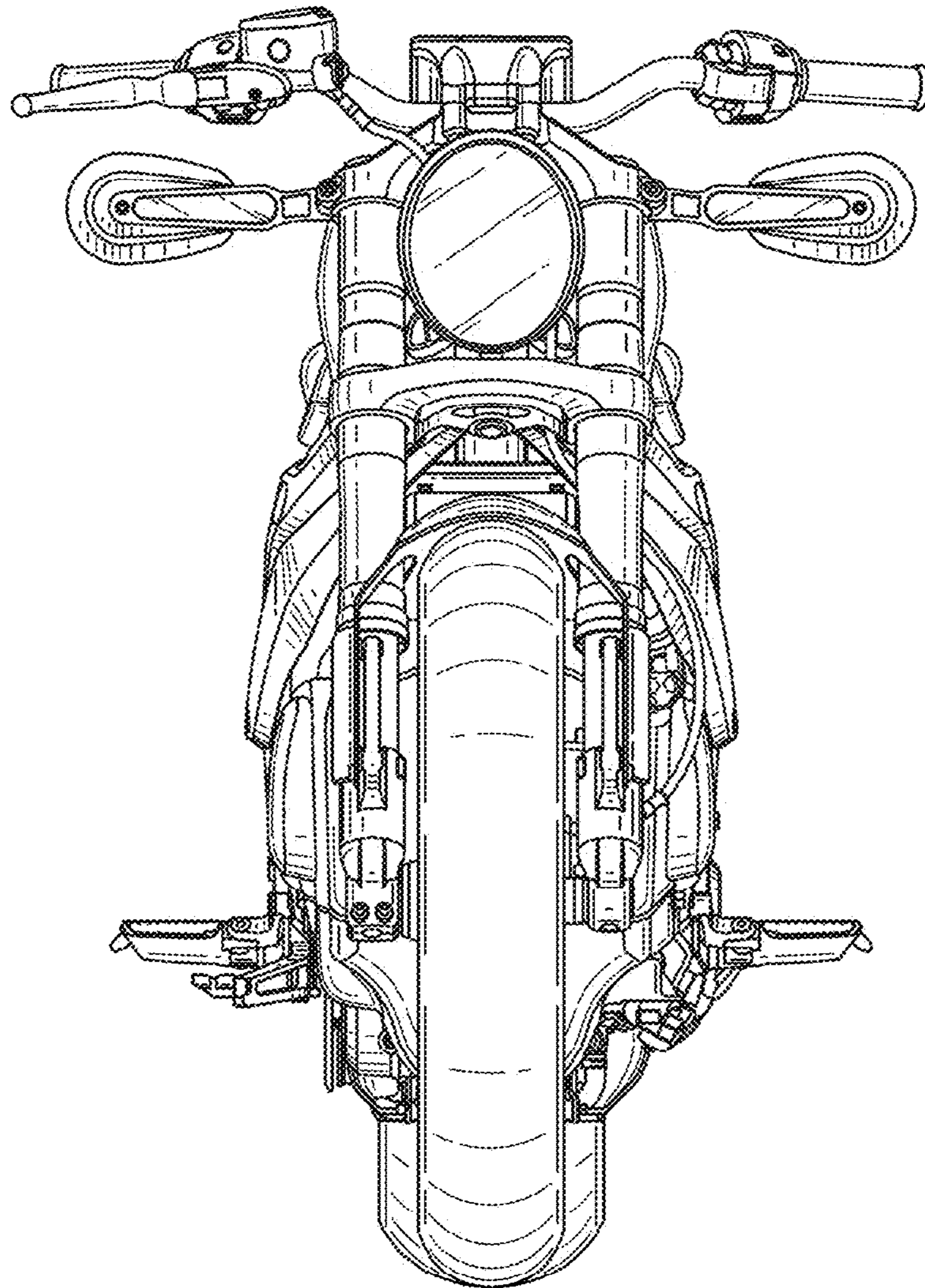
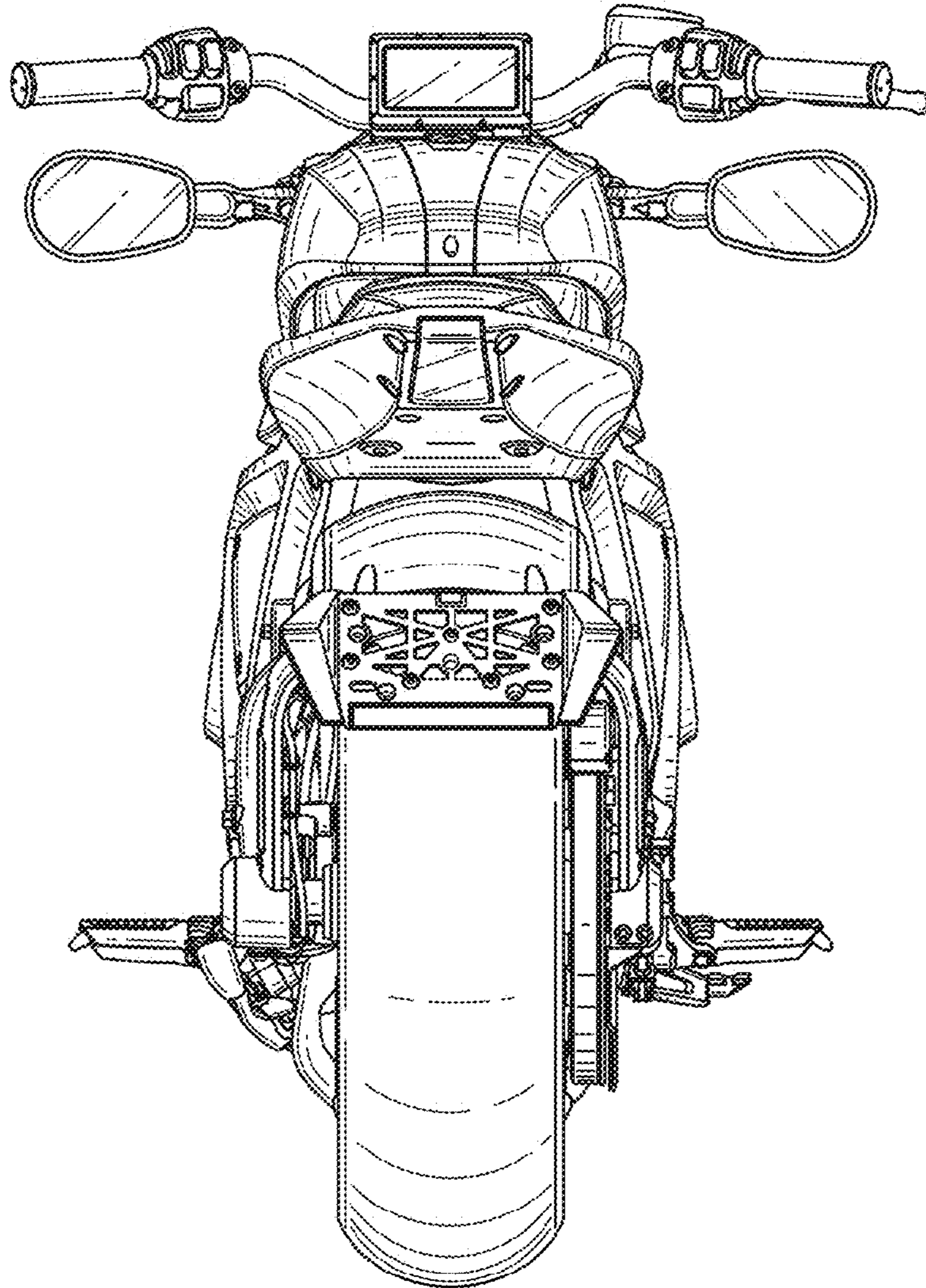


FIG. 5



**FIG. 6**





**FIG. 7**