



US00D753550S

(12) **United States Design Patent**  
**Asal et al.**

(10) **Patent No.:** **US D753,550 S**  
(45) **Date of Patent:** **\*\* Apr. 12, 2016**

(54) **VEHICLE, TOY, AND/OR REPLICAS THEREOF**

D699,162 S \* 2/2014 Fetherston ..... D12/164  
D710,257 S \* 8/2014 Giovannini ..... D12/92  
D721,299 S \* 1/2015 Fetherston ..... D12/92

(71) Applicant: **Daimler AG**, Stuttgart (DE)

\* cited by examiner

(72) Inventors: **Georg Asal**, Birkenfeld (DE);  
**Hans-Dieter Futschik**, Gechingen (DE);  
**Robert Lesnik**, Leonberg (DE);  
**Christoph Machinek**, Stuttgart (DE);  
**Gorden Wagener**, Gaeufelden (DE)

*Primary Examiner* — Melody N Brown

(74) *Attorney, Agent, or Firm* — Crowell & Moring LLP

(73) Assignee: **Daimler AG**, Stuttgart (DE)

(57) **CLAIM**

The ornamental design for a vehicle, toy, and/or replicas thereof, as shown and described.

(\*\*) Term: **14 Years**

**DESCRIPTION**

(21) Appl. No.: **29/483,954**

This application contains subject matter related to the following co-pending U.S. design patent applications:

(22) Filed: **Mar. 5, 2014**

Application Ser. No. 29/468,653, filed Oct. 2, 2013 and entitled "Vehicle, Toy, and/or Replicas Thereof."

(30) **Foreign Application Priority Data**

FIG. 1 is a left, front perspective view of a first embodiment of a vehicle, toy, and/or replicas thereof according to the design;

Sep. 6, 2013 (EM) ..... DM/081723

(51) **LOC (10) Cl.** ..... **12-08**

(52) **U.S. Cl.**  
USPC ..... **D12/92**

FIG. 2 is a left, rear perspective view thereof;

(58) **Field of Classification Search**  
USPC ..... D12/86, 90-92; D21/421, 433, 434;  
296/181.1, 181.5

FIG. 3 is a left side view thereof;

CPC ..... B62D 35/00; B62D 25/00; B62D 25/06;  
B62D 25/08; B62D 33/00

FIG. 4 is a right side view thereof;

See application file for complete search history.

FIG. 5 is a front view thereof;

FIG. 6 is a rear view thereof; and

FIG. 7 is a top view thereof.

FIG. 8 is a left, front perspective view of a second embodiment of the vehicle, toy, and/or replicas thereof according to the design;

(56) **References Cited**

**U.S. PATENT DOCUMENTS**

D552,015 S 10/2007 Pfeiffer  
D627,274 S \* 11/2010 Bauer ..... D12/164  
D634,678 S \* 3/2011 Futschik ..... D12/164  
D635,898 S \* 4/2011 Baur ..... D12/164  
D664,070 S \* 7/2012 Futschik ..... D12/92  
D688,162 S \* 8/2013 Fetherston ..... D12/92  
D688,173 S \* 8/2013 Fetherston ..... D12/164

FIG. 9 is a left, rear perspective view thereof;

FIG. 10 is a left side view thereof;

FIG. 11 is a right side view thereof;

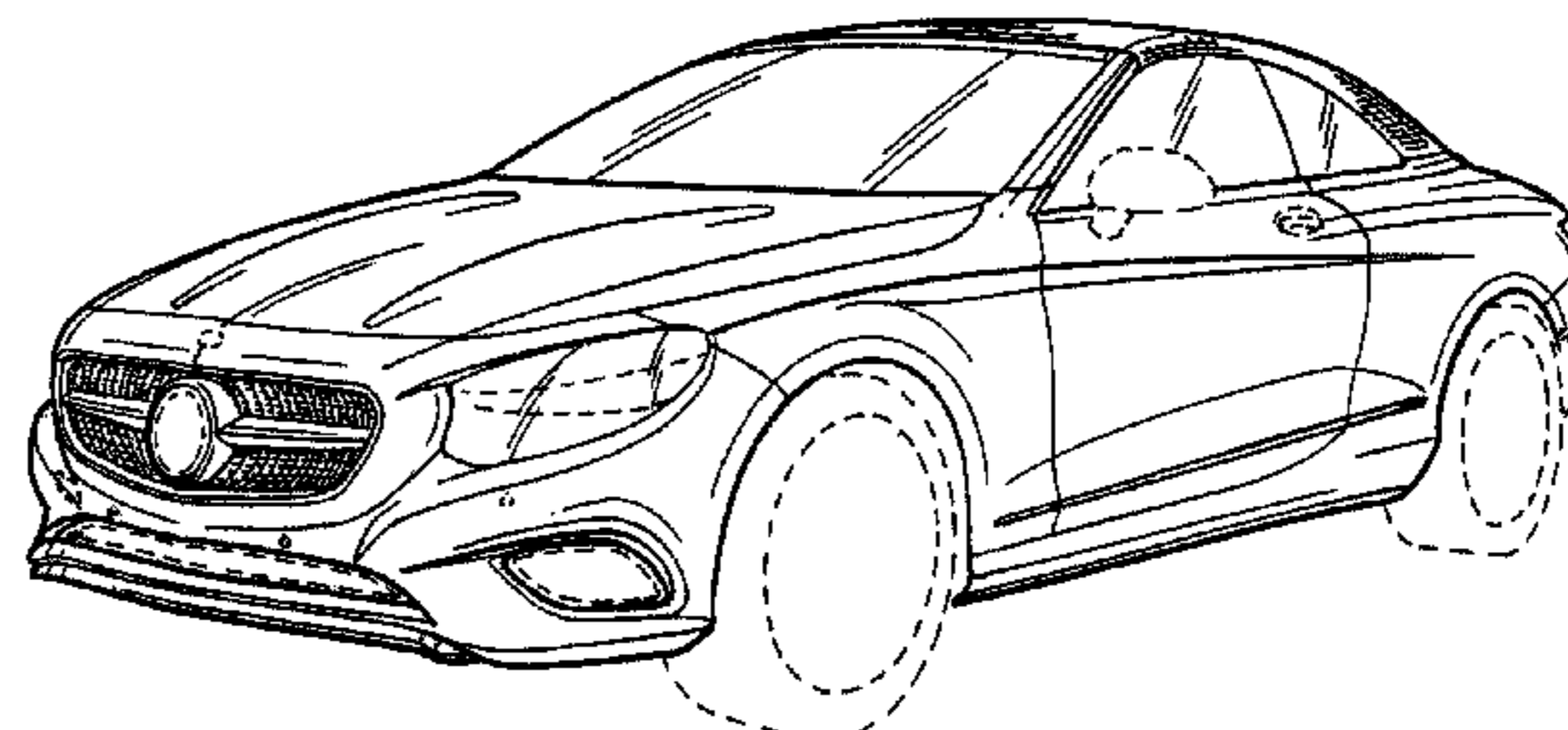
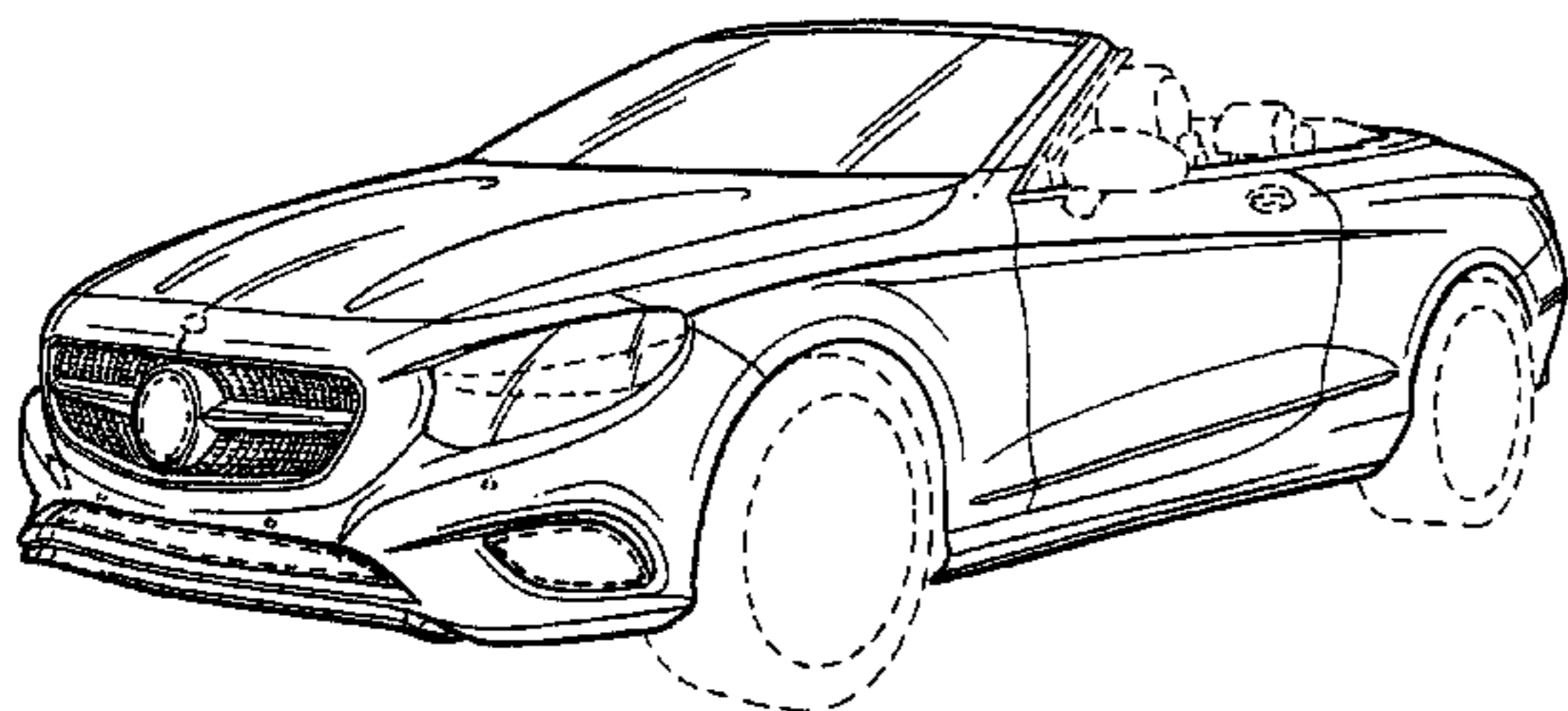
FIG. 12 is a front view thereof;

FIG. 13 is a rear view thereof; and,

FIG. 14 is a top view thereof.

The broken lines are for illustrative purposes only and form no part of the claimed design.

**1 Claim, 12 Drawing Sheets**



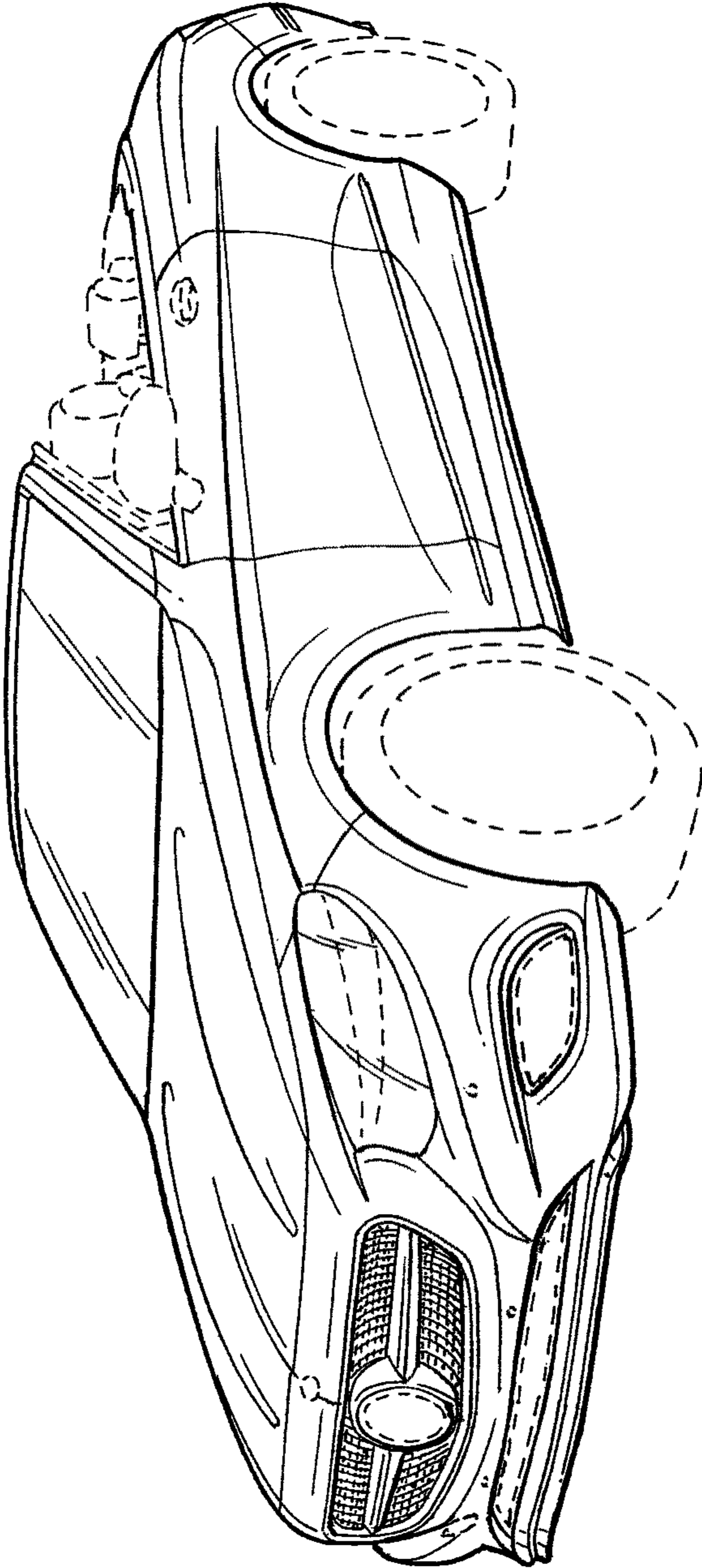


FIG. 1

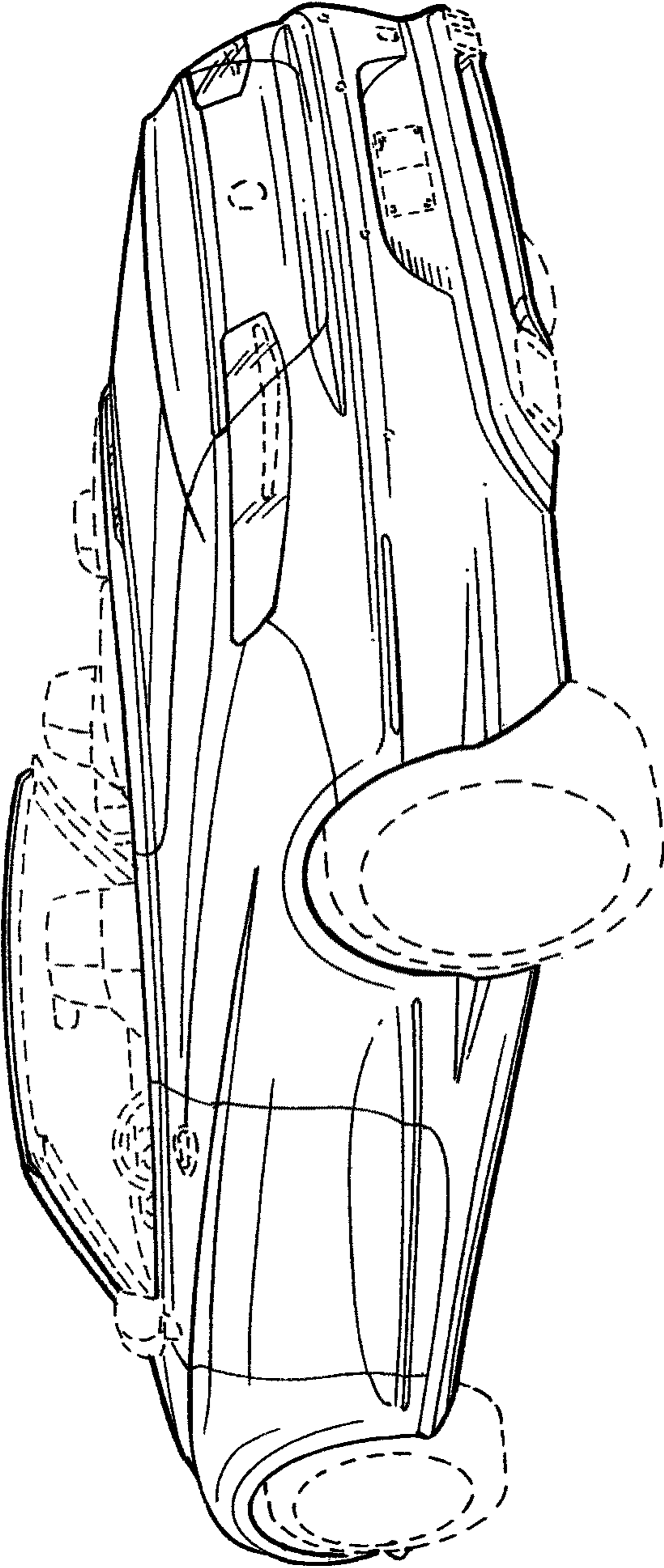


FIG. 2

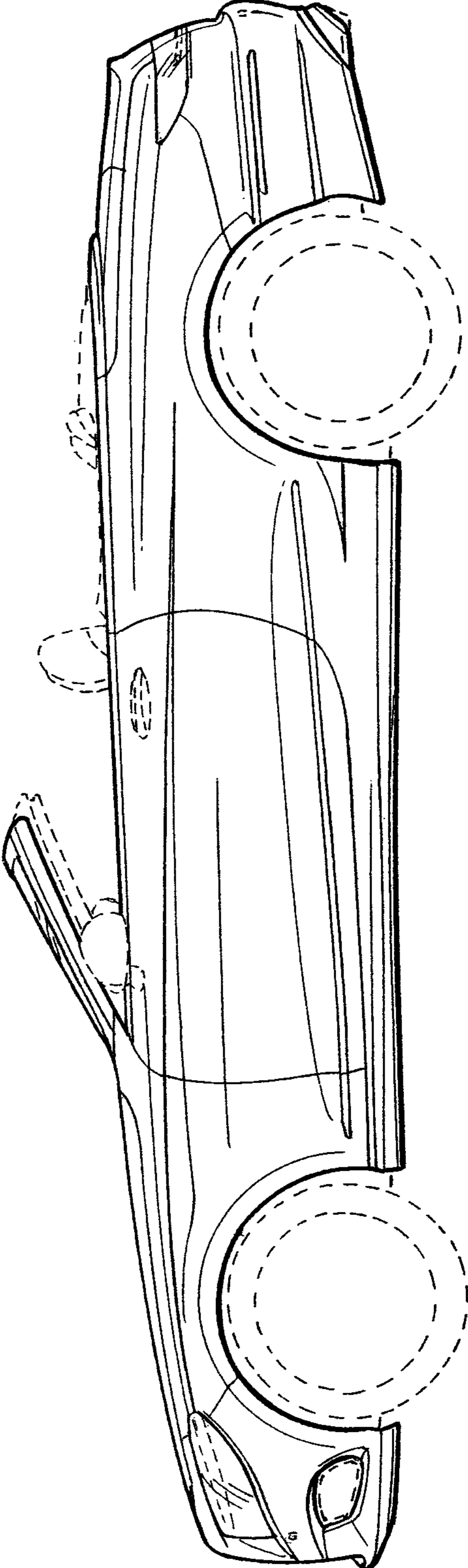


FIG. 3

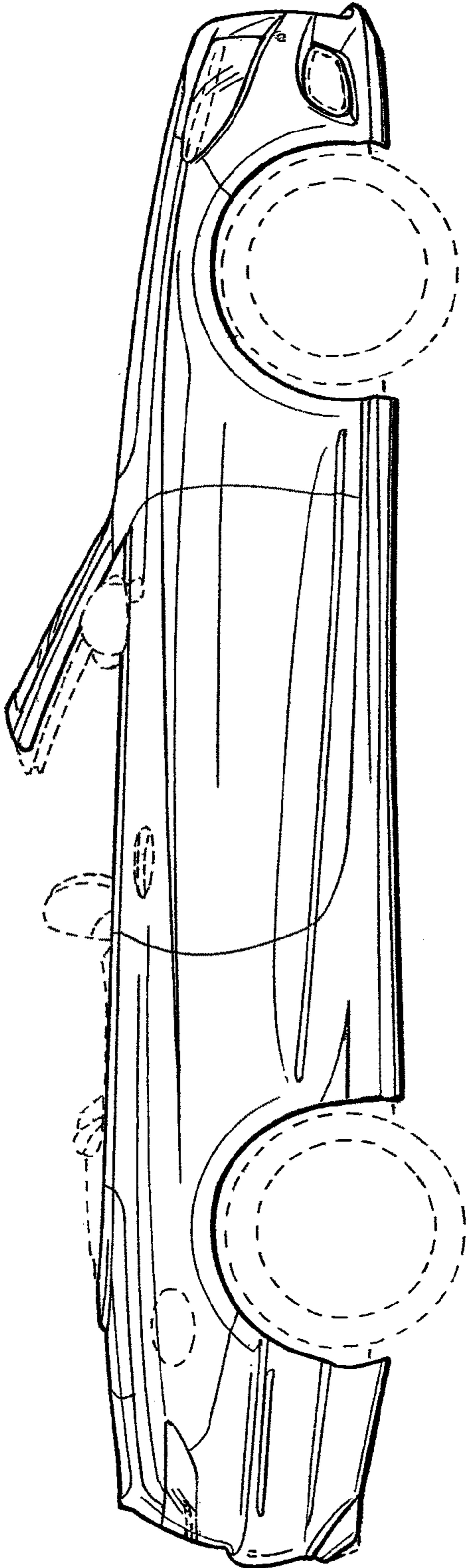


FIG. 4

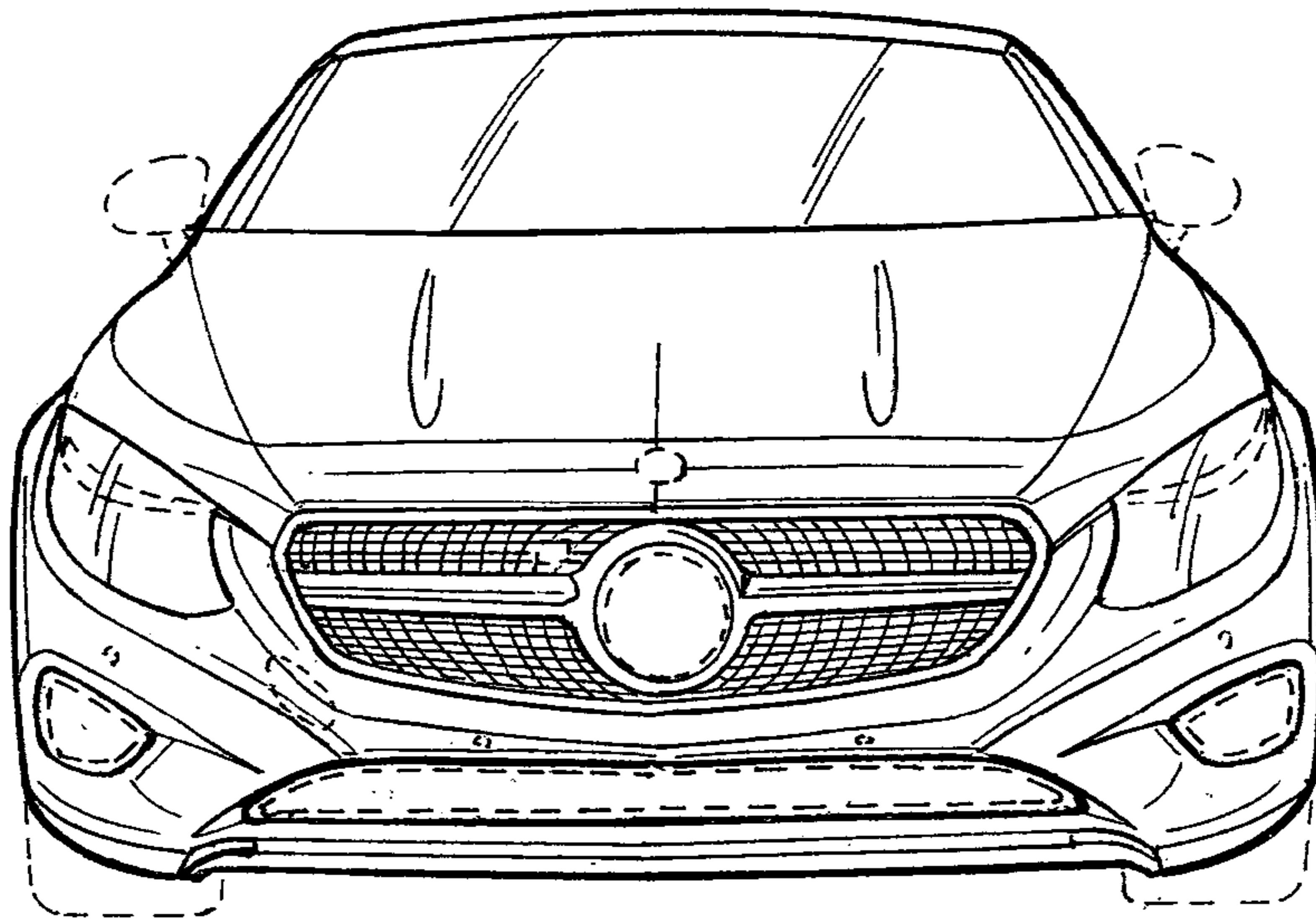


FIG. 5

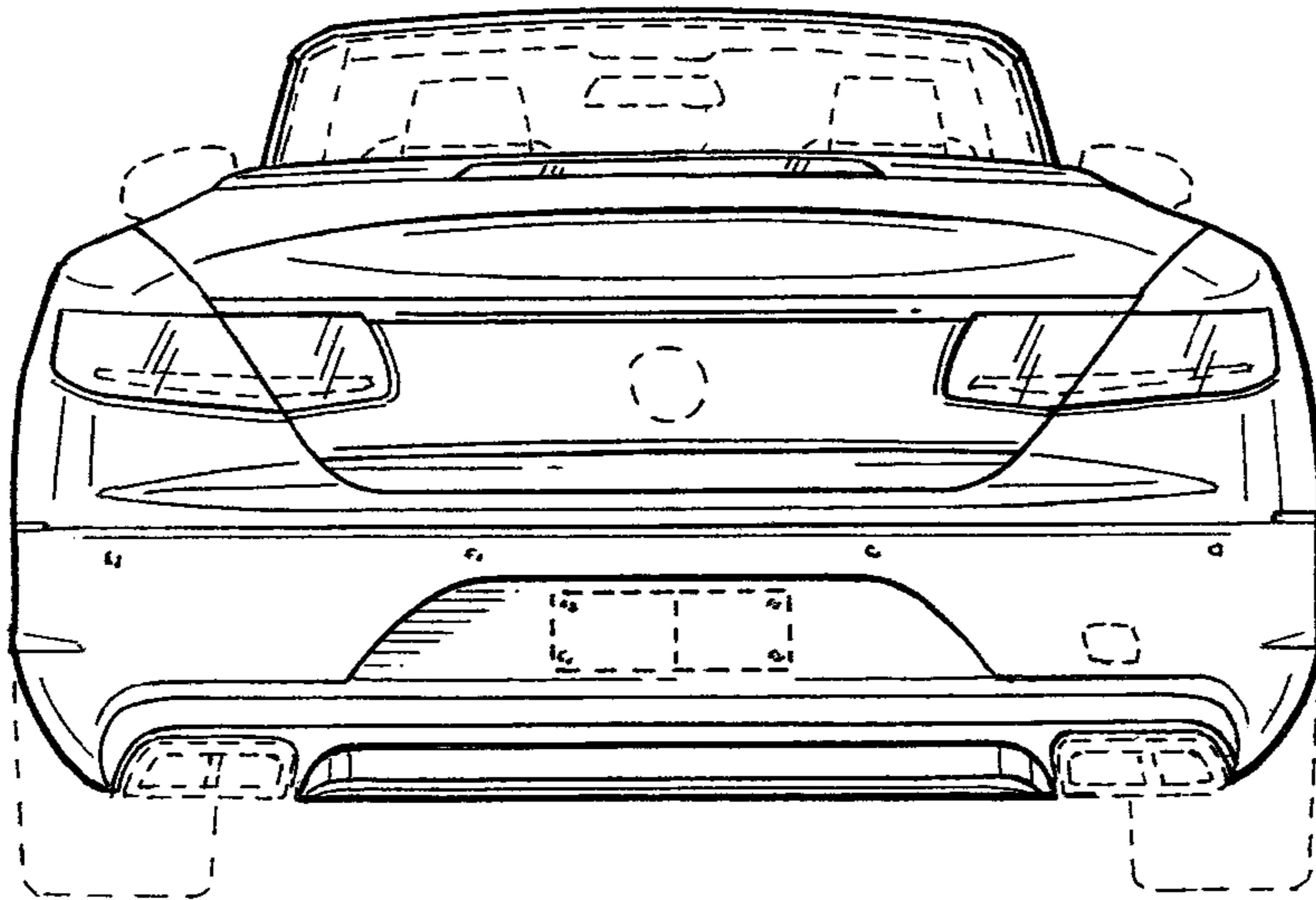


FIG. 6

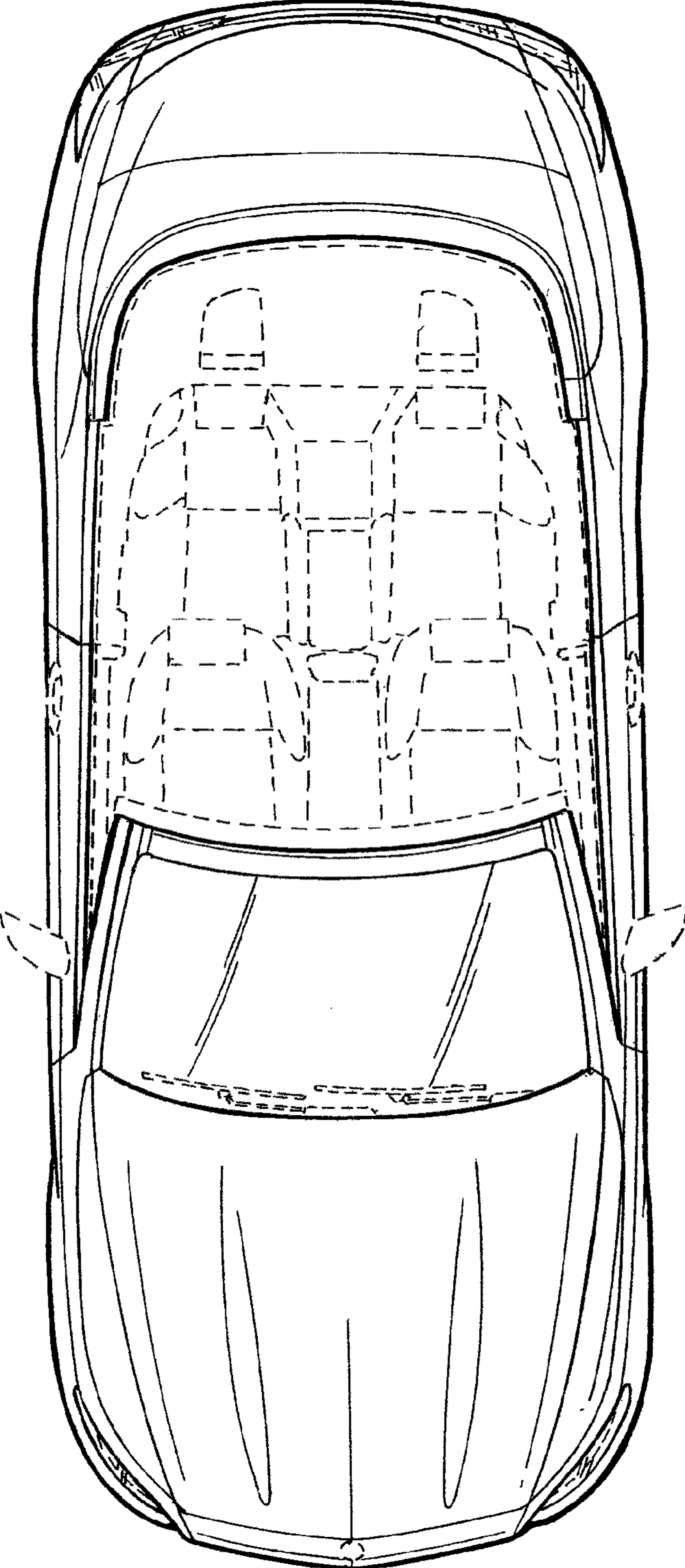


FIG. 7

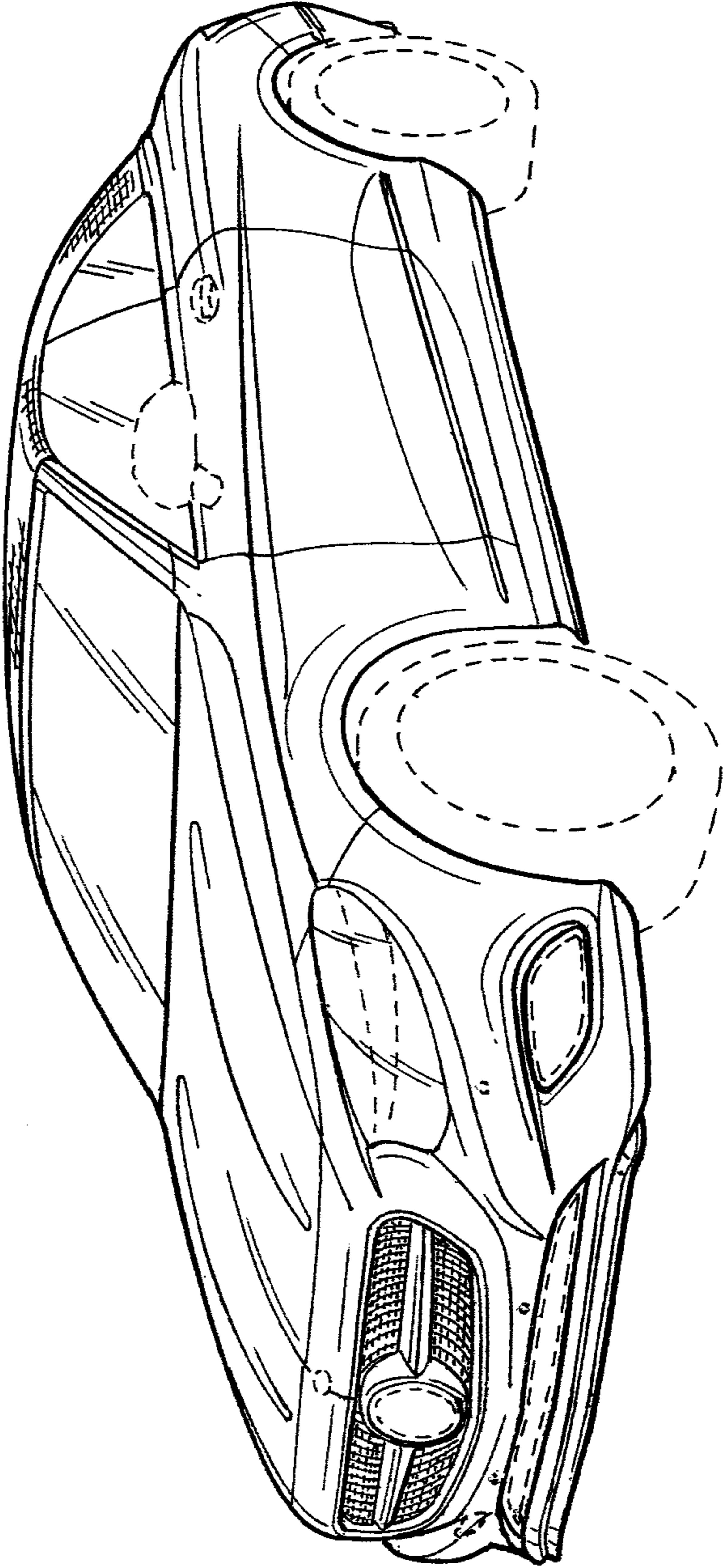


FIG. 8



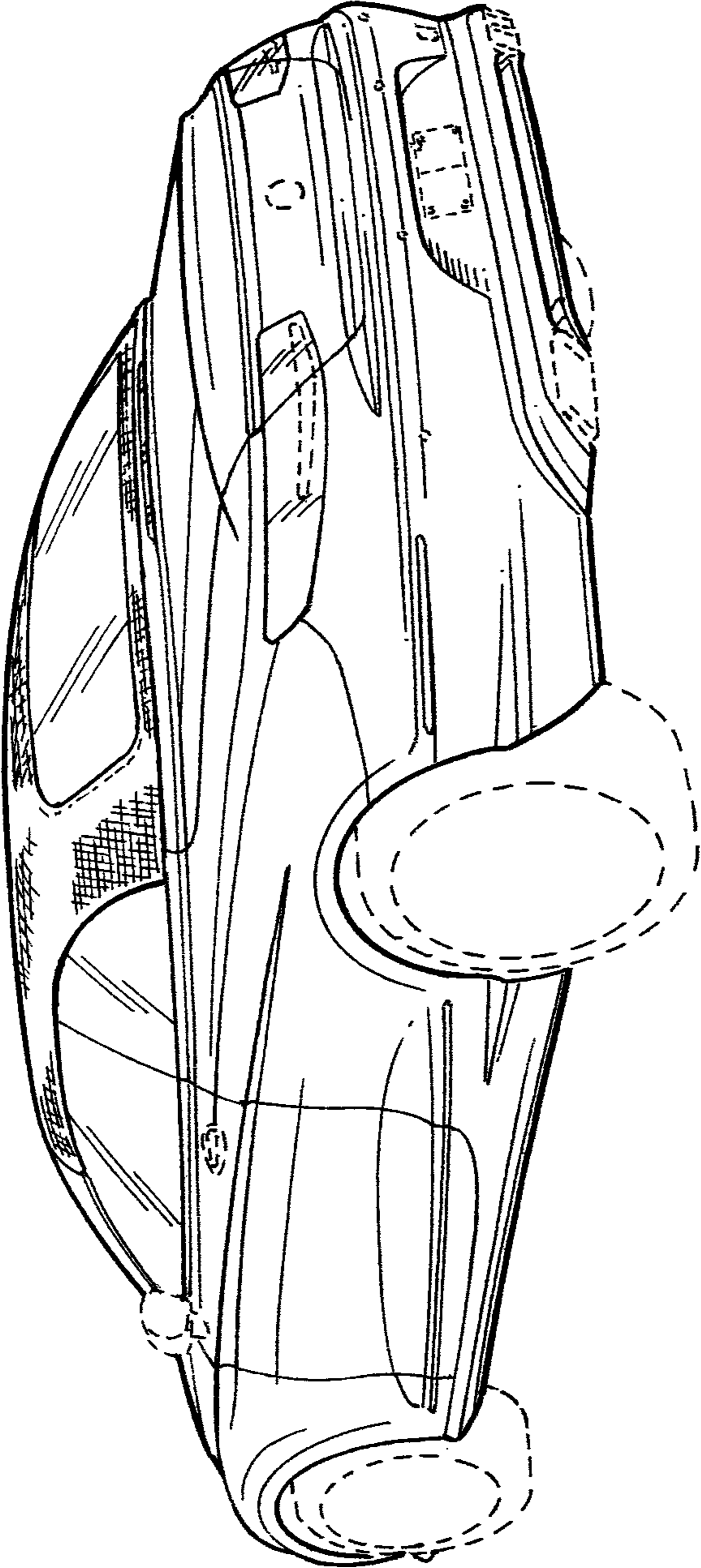


FIG. 9

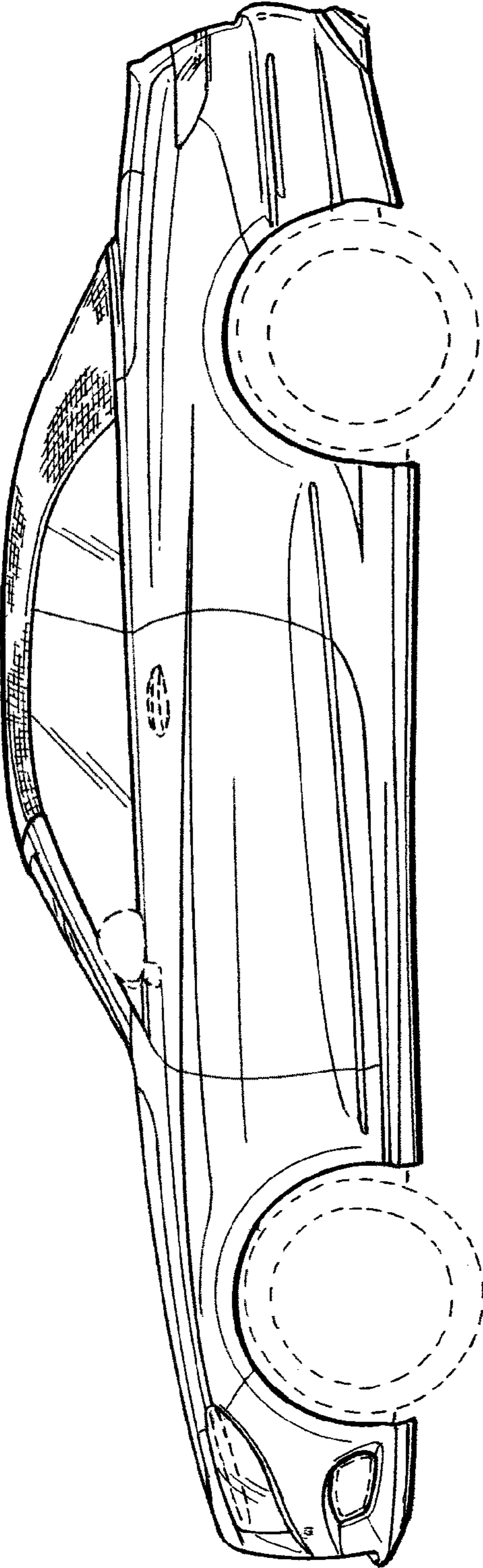


FIG. 10

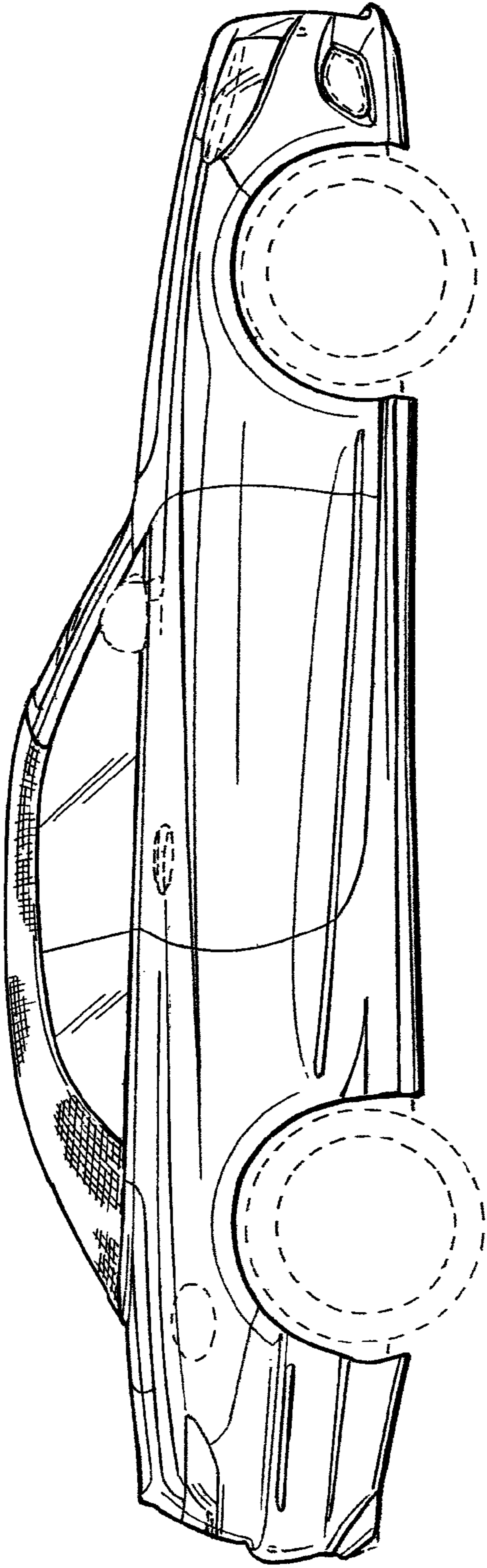


FIG. 11

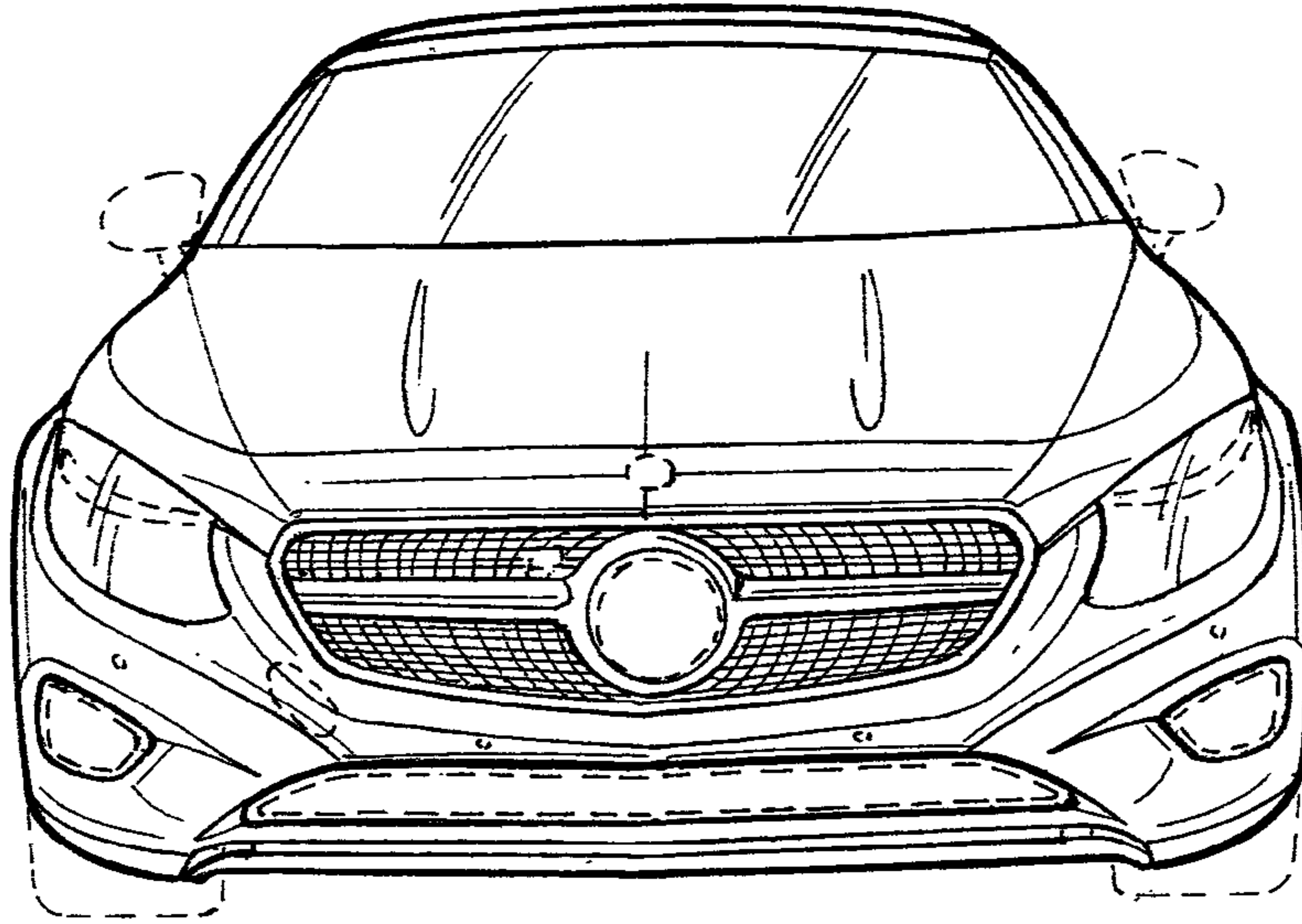


FIG. 12

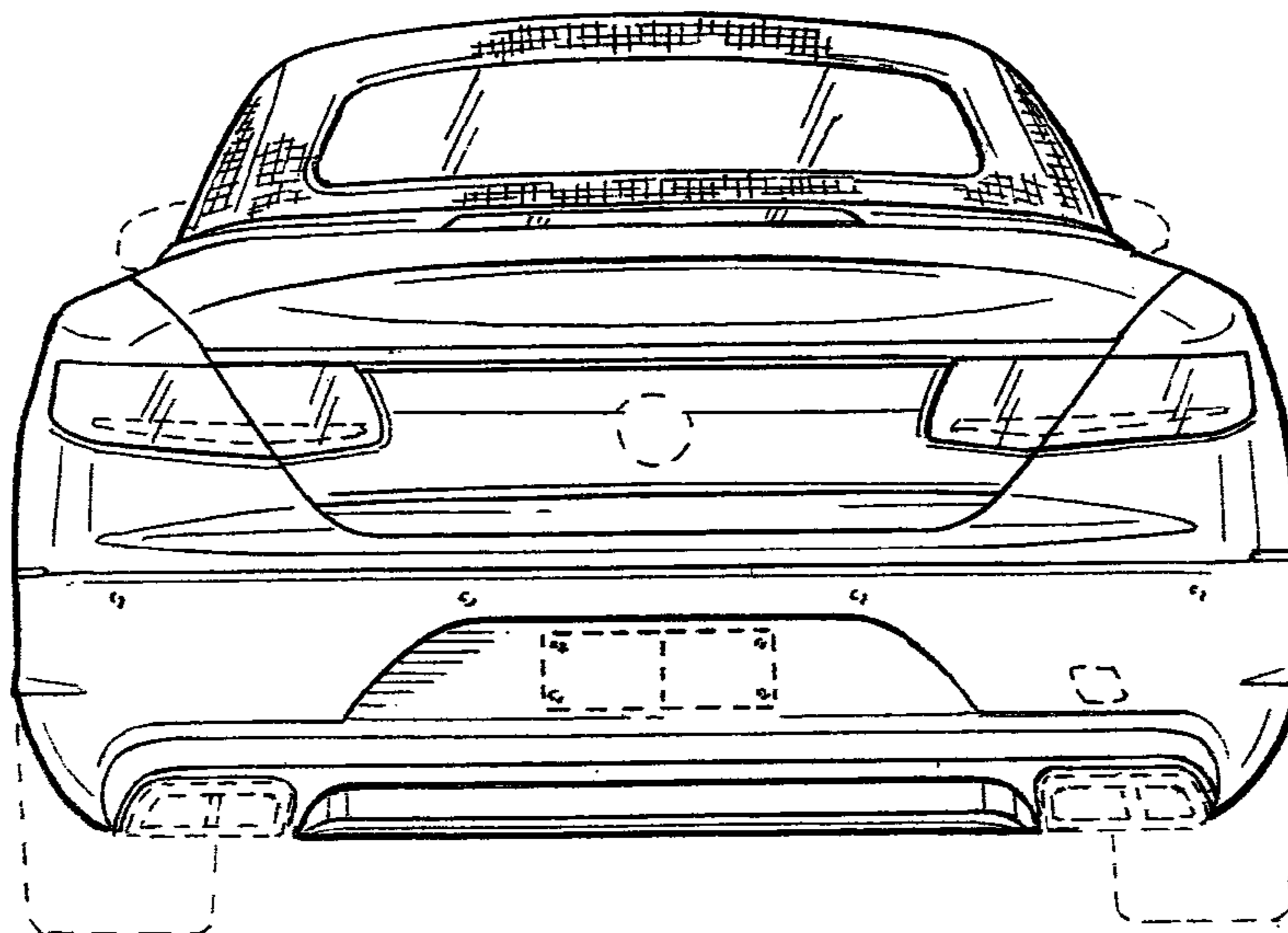


FIG. 13

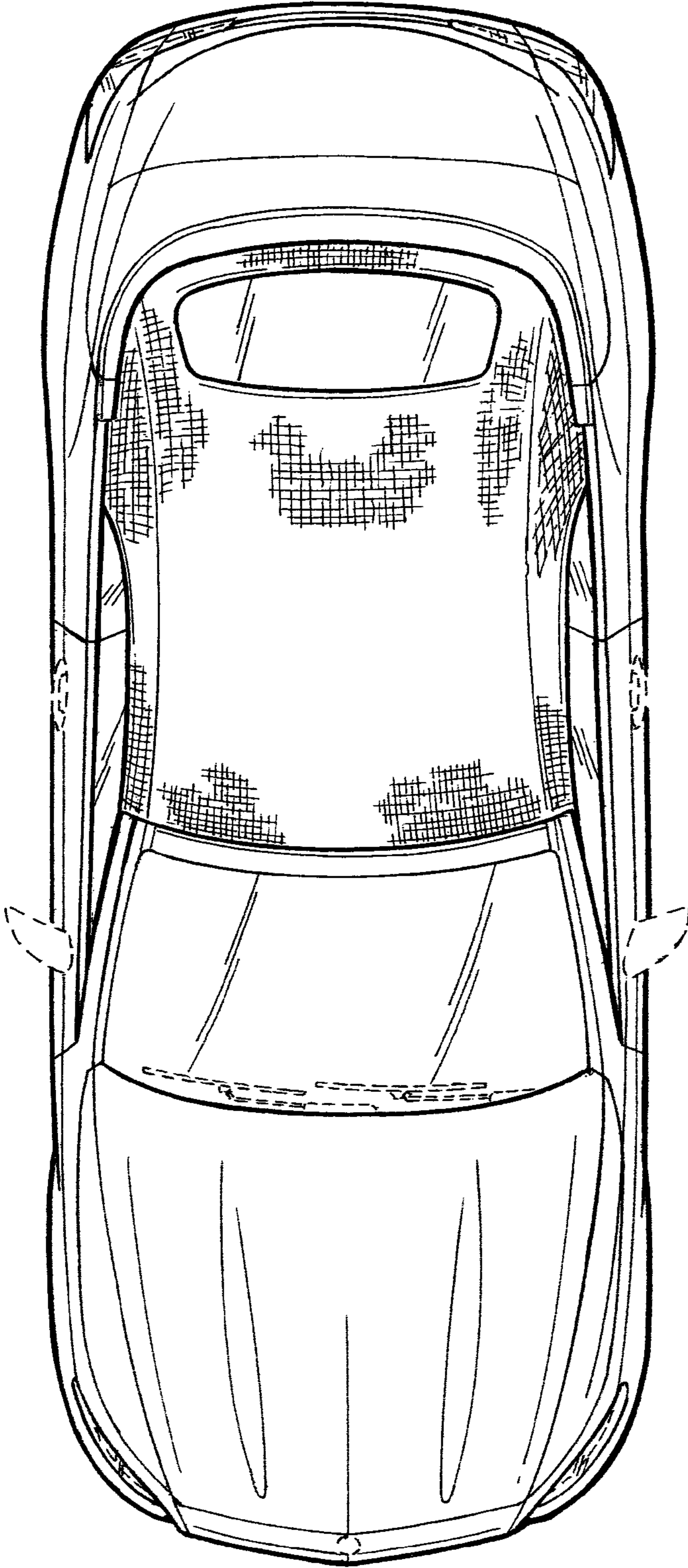


FIG. 14