



US00D753543S

(12) **United States Design Patent**  
**Yauheni et al.**

(10) **Patent No.:** **US D753,543 S**  
(45) **Date of Patent:** **\*\* Apr. 12, 2016**

- (54) **ARMORED VEHICLE**
- (71) Applicant: **Wargaming.net LLP**, London (GB)
- (72) Inventors: **Melnikau Yauheni**, Molodechno (BY);  
**Medvedev Andreji**, Minsk (BY);  
**Makarov Viacheslav**, Reutov (RU)
- (73) Assignee: **Wargaming.net LLP**, London (GB)
- (\*\*) Term: **14 Years**

4,213,269 A	7/1980	Grogg, Sr.	
4,236,441 A	12/1980	Turner et al.	
D258,223 S	2/1981	Itakura	
4,458,444 A *	7/1984	Avery et al. ....	446/433
D290,630 S	6/1987	Kitamura	
4,719,839 A	1/1988	Smothers et al.	
4,733,596 A	3/1988	Crow, III et al.	
D296,913 S	7/1988	Shibukawa	
4,767,122 A	8/1988	Rusche	
4,860,633 A	8/1989	Wiethoff et al.	
4,924,749 A	5/1990	Beyer et al.	
4,928,574 A	5/1990	Golden	

(Continued)

(21) Appl. No.: **29/458,070**

**FOREIGN PATENT DOCUMENTS**

(22) Filed: **Jun. 14, 2013**

EM 002403402-00002 2/2014

(51) **LOC (10) Cl.** ..... **12-13**

**OTHER PUBLICATIONS**

(52) **U.S. Cl.**

USPC ..... **D12/12**

Historical Research, two pages, (publication date unknown).

(58) **Field of Classification Search**

(Continued)

USPC ..... D12/1, 12, 14, 15; D21/539, 556, 557,  
D21/559, 562; 180/89.1, 89.12, 232, 242,  
180/449, 9.1; D15/23, 24, 25, 33, 199;  
446/88, 430, 433, 470, 429, 465, 175;  
296/24.4; 89/36.08, 36.13, 41.02

*Primary Examiner* — T. Chase Nelson

*Assistant Examiner* — Ania Aman

(74) *Attorney, Agent, or Firm* — Banner & Witcoff, Ltd.

See application file for complete search history.

(57) **CLAIM**

The ornamental design for an armored vehicle, as shown and described.

(56) **References Cited**

**DESCRIPTION**

**U.S. PATENT DOCUMENTS**

2,730,064 A	1/1956	Eyring	
2,990,900 A	7/1961	Lennart	
3,065,569 A	11/1962	Nielsen et al.	
3,322,987 A	5/1967	Kunze	
3,331,234 A	7/1967	Eichweber	
3,374,005 A *	3/1968	Donlon et al. ....	280/124.129
3,429,222 A *	2/1969	Flannery et al. ....	89/41.02
3,566,742 A	3/1971	Bemiss	
3,602,088 A *	8/1971	Spring .....	89/36.13
3,722,357 A	3/1973	Schallehn	
3,869,825 A	3/1975	Heberlein	
3,913,939 A	10/1975	Sinclair et al.	
4,088,058 A	5/1978	Flemming et al.	
4,156,536 A *	5/1979	Brandstadter .....	280/124.129

FIG. 1 is a perspective view showing an armored vehicle showing our new design.

FIG. 2 is a top plan view.

FIG. 3 is a first side elevation view.

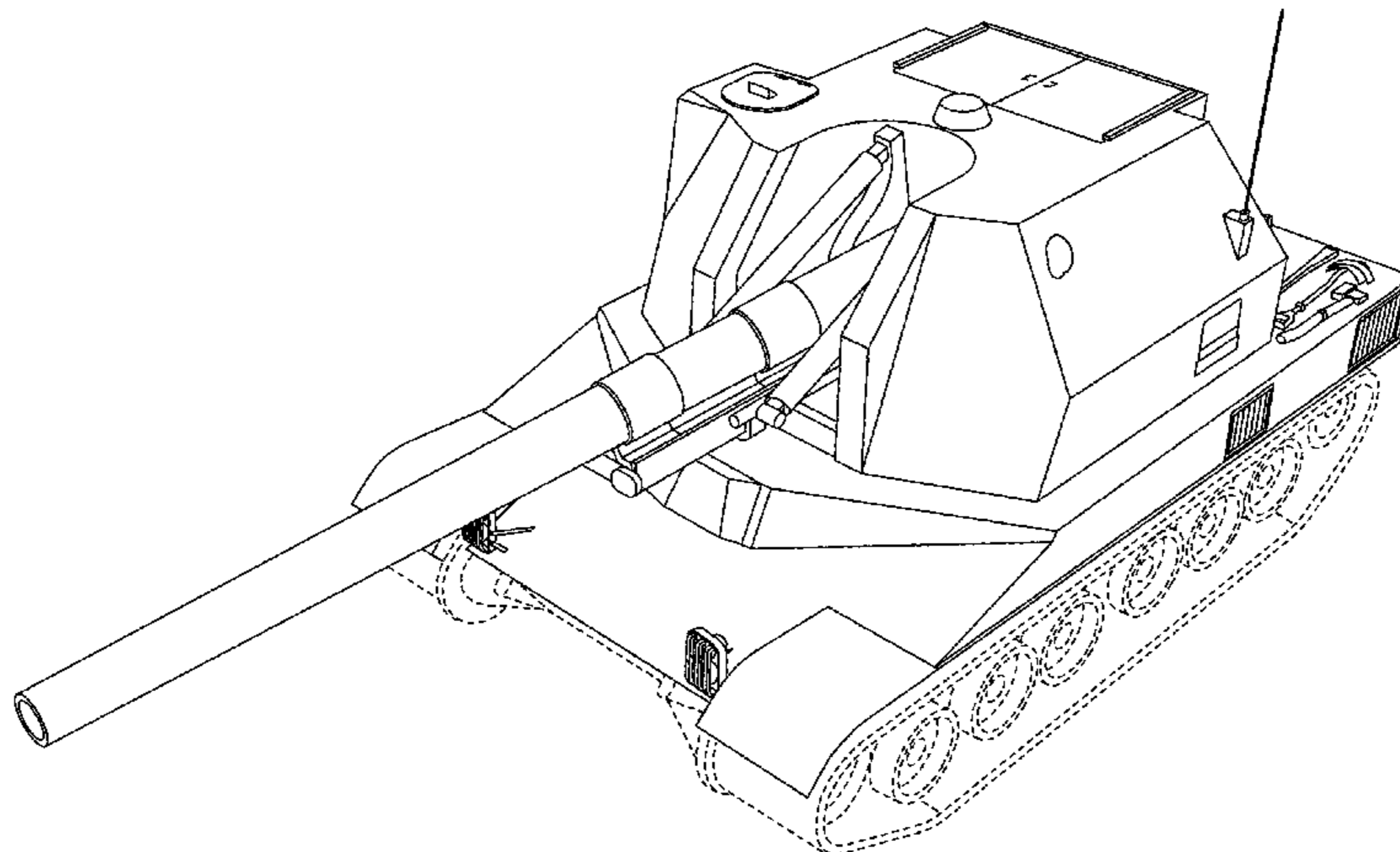
FIG. 4 is a second side elevation view.

FIG. 5 is a front side elevation view; and,

FIG. 6 is a rear elevation view.

The broken line showing of various features is for illustrative purposes only and forms no part of the claimed design.

**1 Claim, 5 Drawing Sheets**



(56)

References Cited

U.S. PATENT DOCUMENTS

4,934,246 A \* 6/1990 Benson et al. .... 89/36.14  
 4,947,728 A \* 8/1990 Muhlhausen et al. .... 89/46  
 D311,040 S \* 10/1990 Kunihiro ..... D21/631  
 5,016,004 A 5/1991 Funk et al.  
 5,074,793 A 12/1991 Hambric et al.  
 5,097,916 A 3/1992 Brandstadter  
 5,183,287 A \* 2/1993 VanSweden ..... 280/124.129  
 5,189,243 A 2/1993 Hambric  
 5,392,687 A \* 2/1995 Shiells ..... 89/36.17  
 5,413,027 A \* 5/1995 Mixon ..... 89/36.17  
 5,600,491 A \* 2/1997 Hull et al. .... 359/698  
 5,780,761 A \* 7/1998 Musante et al. .... 89/36.08  
 D425,140 S \* 5/2000 Bao ..... D21/539  
 6,741,264 B1 5/2004 Lesser  
 D519,577 S \* 4/2006 Hayashi ..... D21/539  
 7,021,189 B2 4/2006 Patry et al.  
 7,086,318 B1 8/2006 Darnall  
 7,225,399 B2 5/2007 Watson  
 7,540,229 B2 \* 6/2009 Seo et al. .... 89/36.17  
 7,704,119 B2 4/2010 Evans  
 7,817,099 B2 10/2010 Wu et al.  
 8,459,170 B2 6/2013 Adorni et al.  
 8,562,081 B2 10/2013 Sturmon  
 8,599,080 B2 12/2013 Apostolos et al.  
 8,763,511 B2 7/2014 Schwartz et al.  
 D712,786 S \* 9/2014 Burkatovskiy ..... D12/12  
 8,921,685 B2 12/2014 Razin et al.  
 8,977,507 B2 3/2015 Soles et al.  
 8,997,676 B2 4/2015 Chu et al.  
 9,027,458 B2 5/2015 Akavuti et al.  
 2004/0183322 A1 9/2004 Baus et al.  
 2007/0016861 A1 1/2007 Salomaa et al.  
 2007/0017360 A1 1/2007 Cohen

2012/0183928 A1 7/2012 Finlayson et al.  
 2012/0236286 A1 9/2012 Layton  
 2013/0062486 A1 \* 3/2013 Shmargad ..... 248/220.41

OTHER PUBLICATIONS

Applicant's; author, publisher, publication date, and place of publication unknown.  
 French skin for Renault FT AC for World of Tanks (on-line), dated Sep. 7, 2013; <http://www.gamemodding.net/en/world-of-tanks/wot-skins/31821-francuzkiy-skin-dlya-renault-ft-ac.html>.  
 JagdPanther II #6 on Russian website World of Tanks (on-line), dated Oct. 11, 2012; [http://wotskins.ucoz.ru/news/jagdpanther\\_ii\\_6/](http://wotskins.ucoz.ru/news/jagdpanther_ii_6/) 2012-10-11-6496.  
 Skin for AC RenaultFT for World of Tanks (on-line), dated Nov. 19, 2012; <http://www.gamemodding.net/en/world-of-tanks/wot-skins/1107-shkurka-dlya-renaulfft-au.html>.  
 Reteksturing ARL V39 (on-line), published Apr. 27, 2013. Retrived from Internet Jul. 30, 2015, URL: <http://wotmods.ru/france-tanks/france-tank-destroyers/arl-v39>.  
 ARL V39, two versions (on-line), World of Tanks official European forum, posted Aug. 19, 2012. Retrieved from Internet Jul. 20, 2015, URL: <http://forum.worldoftanks.eu/index.php?/topic/143643-arl-v39-two-versions/>.  
 Bat Chatillon 155 rear right.jpg on Wargaming.net Wiki (on-line), dated Oct. 30, 2012. URL: <http://wiki.wargaming.net>.  
 Skin for Bat Chatillon 155 for World of Tanks (online), dated Nov. 20, 2012, URL: <http://www.gamemodding.net/en/world-of-tanks/wot-skins/5922-shkurka-dlya-bat-chatillon-155.html>.  
 Chassis Project S35—"1945 AMX Motor Antitank," <http://www.chars-francais.net/2015/index.php/engina-blinders/automoteurs?task=view&id=834>.

\* cited by examiner

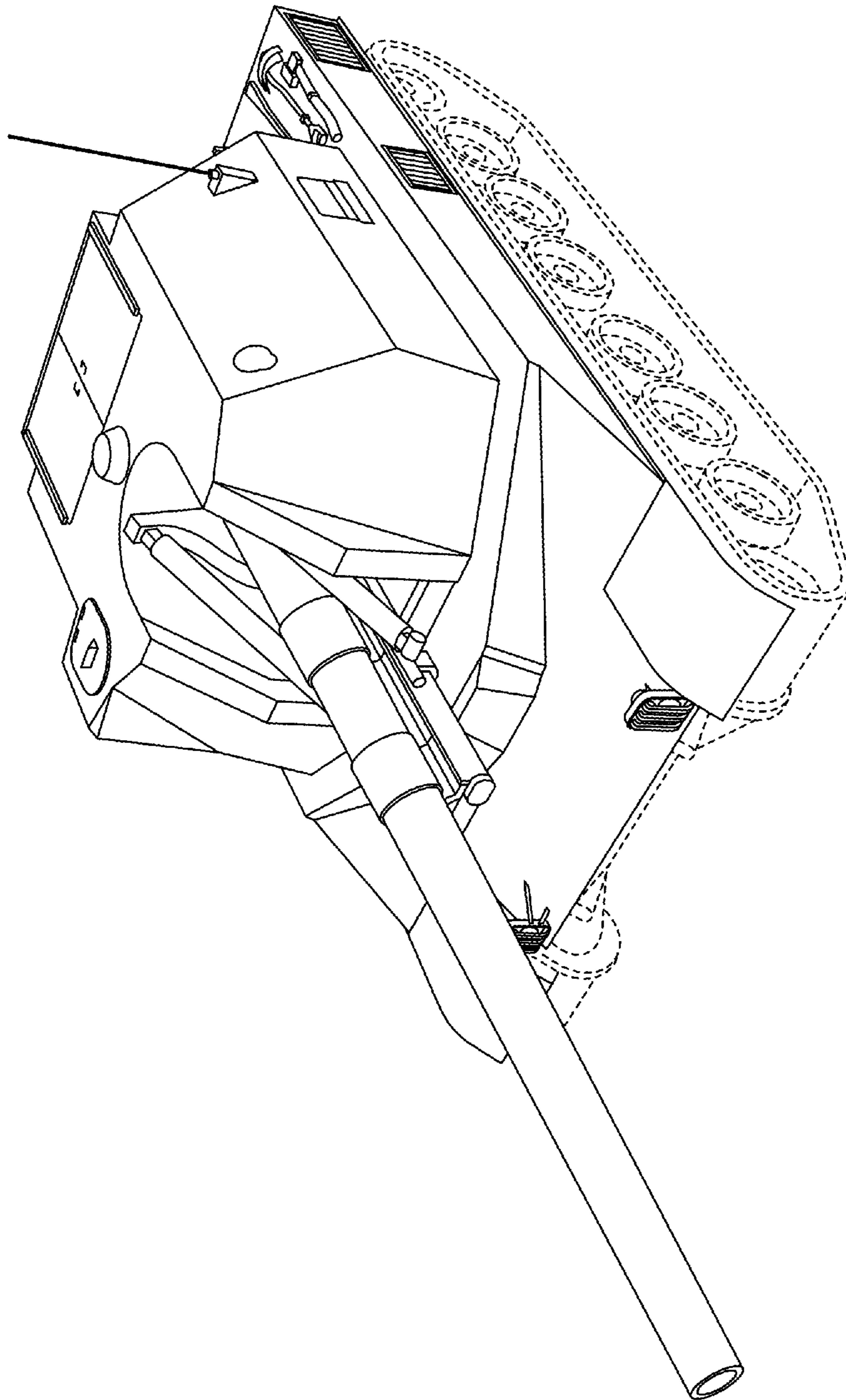


FIG. 1

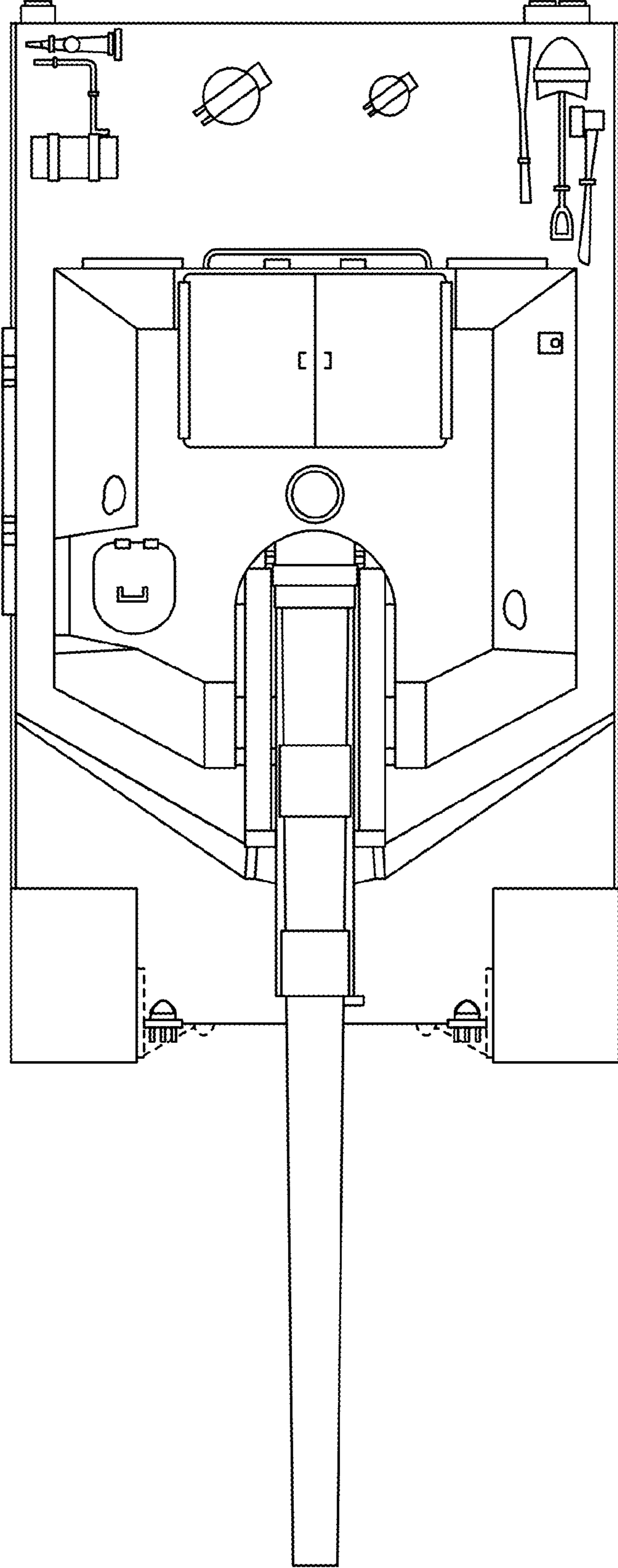


FIG. 2

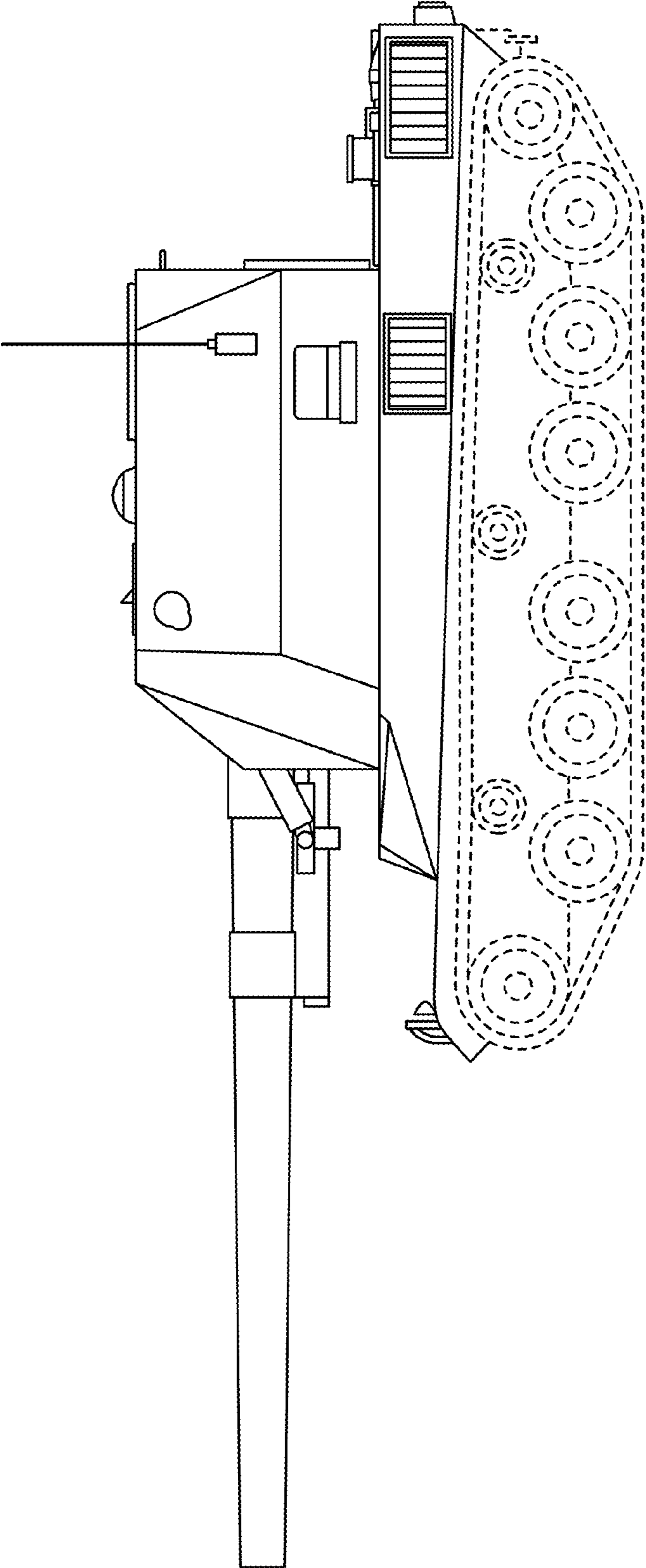


FIG. 3

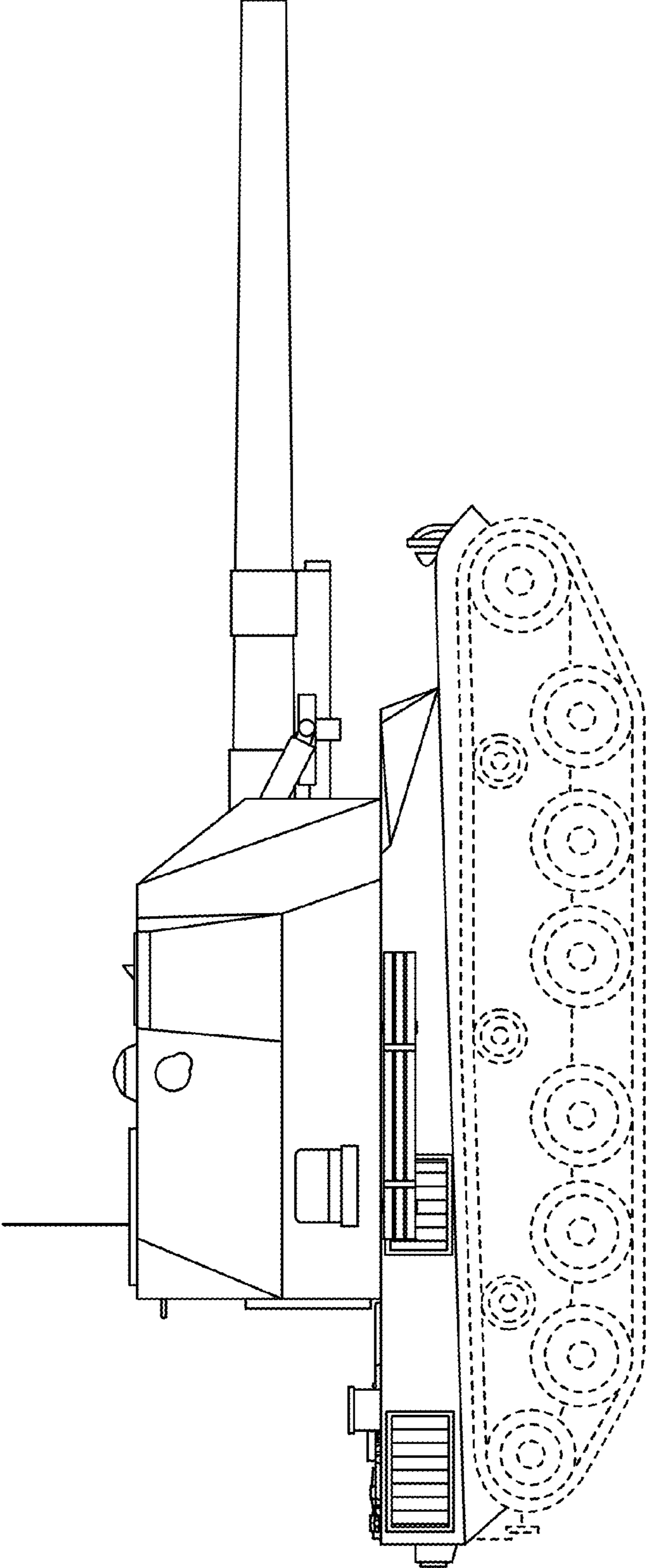


FIG. 4

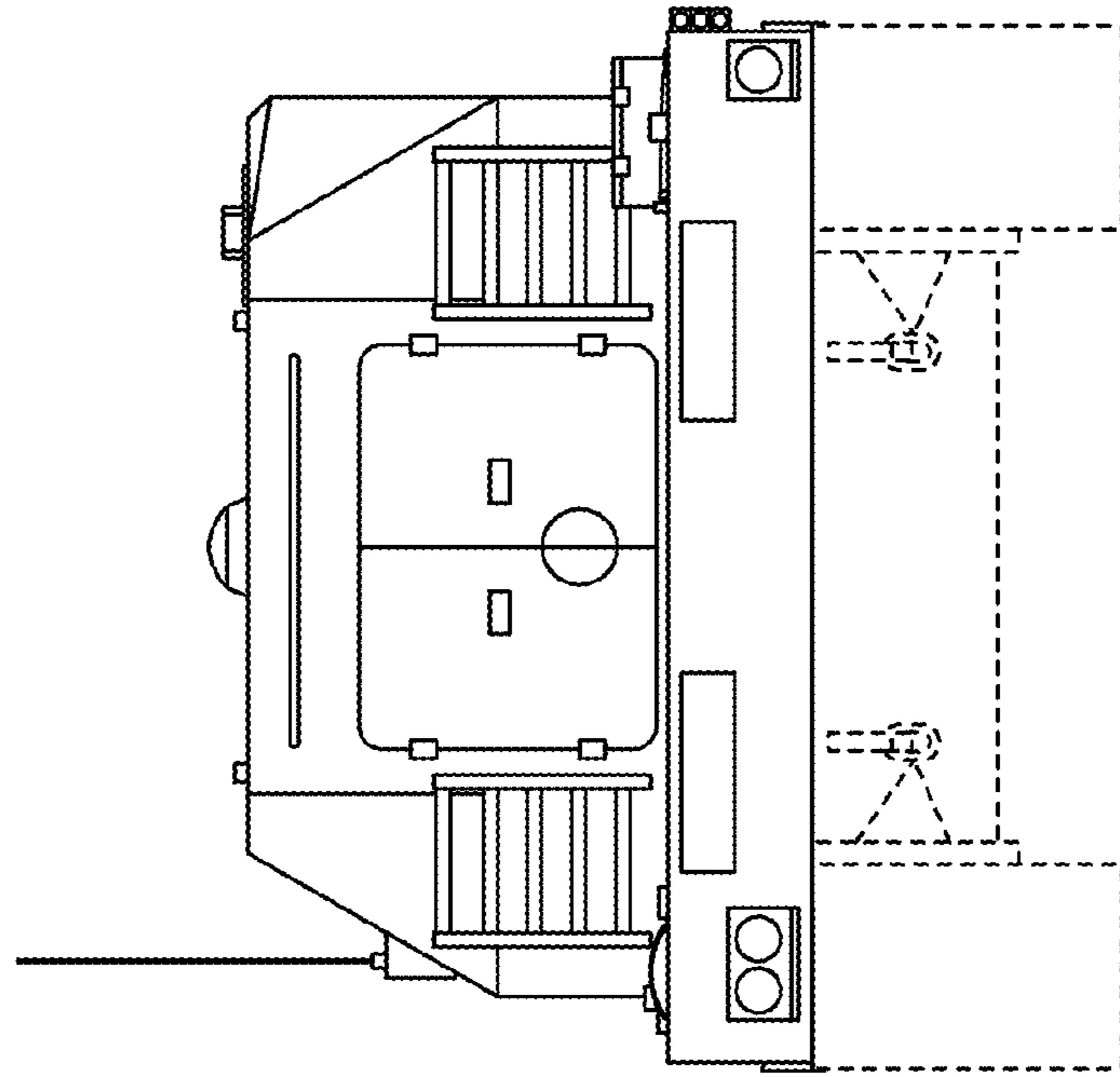


FIG. 6

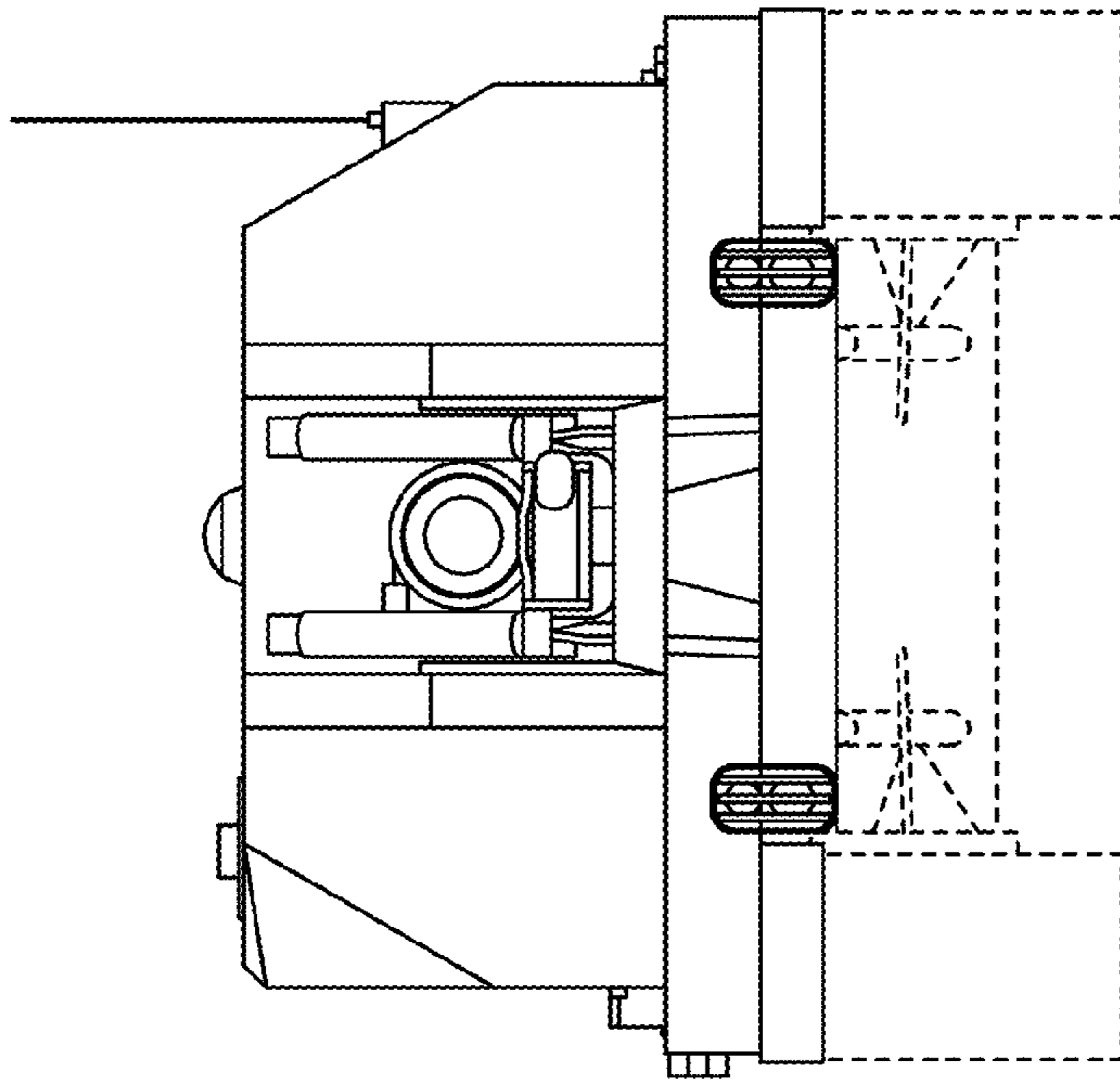


FIG. 5