



US00D753538S

(12) **United States Design Patent**  
**David**

(10) **Patent No.:** **US D753,538 S**

(45) **Date of Patent:** **\*\* Apr. 12, 2016**

(54) **BIRTH STONE JEWELRY**

(71) Applicant: **Marcia David**, Rochester, NY (US)

(72) Inventor: **Marcia David**, Rochester, NY (US)

(\*\*) Term: **14 Years**

(21) Appl. No.: **29/509,746**

(22) Filed: **Nov. 20, 2014**

(51) **LOC (10) Cl.** ..... **11-03**

(52) **U.S. Cl.**  
USPC ..... **D11/96**

(58) **Field of Classification Search**  
USPC ..... D11/30, 40, 44, 48, 60, 79, 81, 86,  
D11/95-116, 125, 131, 133, 149, 157, 211,  
D11/217, 219, 223, 1; 63/1.11, 1.12, 1.13,  
63/1.14, 1.16, 1.18, 13, 14.1, 35, 39, 19,  
63/23, 28; D99/17, 23, 25, 27, 30; 428/3;  
D8/348, 351; D3/211  
CPC ..... A44C 15/001; A44C 9/0053; A44C  
15/0015; A44C 1/10; A44C 15/00; A44C  
7/00; A44C 25/004; A44C 5/0092; A44C  
11/002; A47G 33/02  
See application file for complete search history.

D299,779 S \* 2/1989 Kohen ..... D11/96  
D300,079 S \* 2/1989 Smith ..... D11/96  
D338,633 S \* 8/1993 Andre .....  
D355,144 S \* 2/1995 Cord ..... D11/96  
6,324,868 B1 12/2001 Chen et al.  
D487,232 S \* 3/2004 Pachachi ..... D11/96  
D525,163 S \* 7/2006 Balch .....  
D578,275 S \* 10/2008 Shantz ..... D99/17  
D588,901 S \* 3/2009 Curtis-Bey ..... D8/351  
D639,701 S \* 6/2011 Ditty ..... D11/96  
D641,652 S \* 7/2011 Baxa ..... D11/96  
D656,429 S \* 3/2012 Cadigan ..... D11/96  
D663,095 S \* 7/2012 Naimi ..... D99/27  
D666,121 S \* 8/2012 Schmidt ..... D11/96  
D679,624 S \* 4/2013 Robbins .....  
D715,514 S \* 10/2014 Voss ..... D99/27  
D716,687 S \* 11/2014 Spencer ..... D11/96  
D729,113 S \* 5/2015 Yatsugi-Kang ..... D11/79  
2005/0138962 A1 6/2005 Berge .....  
2006/0010913 A1 1/2006 Torres et al.  
2007/0234756 A1 10/2007 Katz et al.

\* cited by examiner

*Primary Examiner* — T. Chase Nelson

*Assistant Examiner* — Mark Cavanna

(57) **CLAIM**

The ornamental design for a birth stone jewelry, as shown and described.

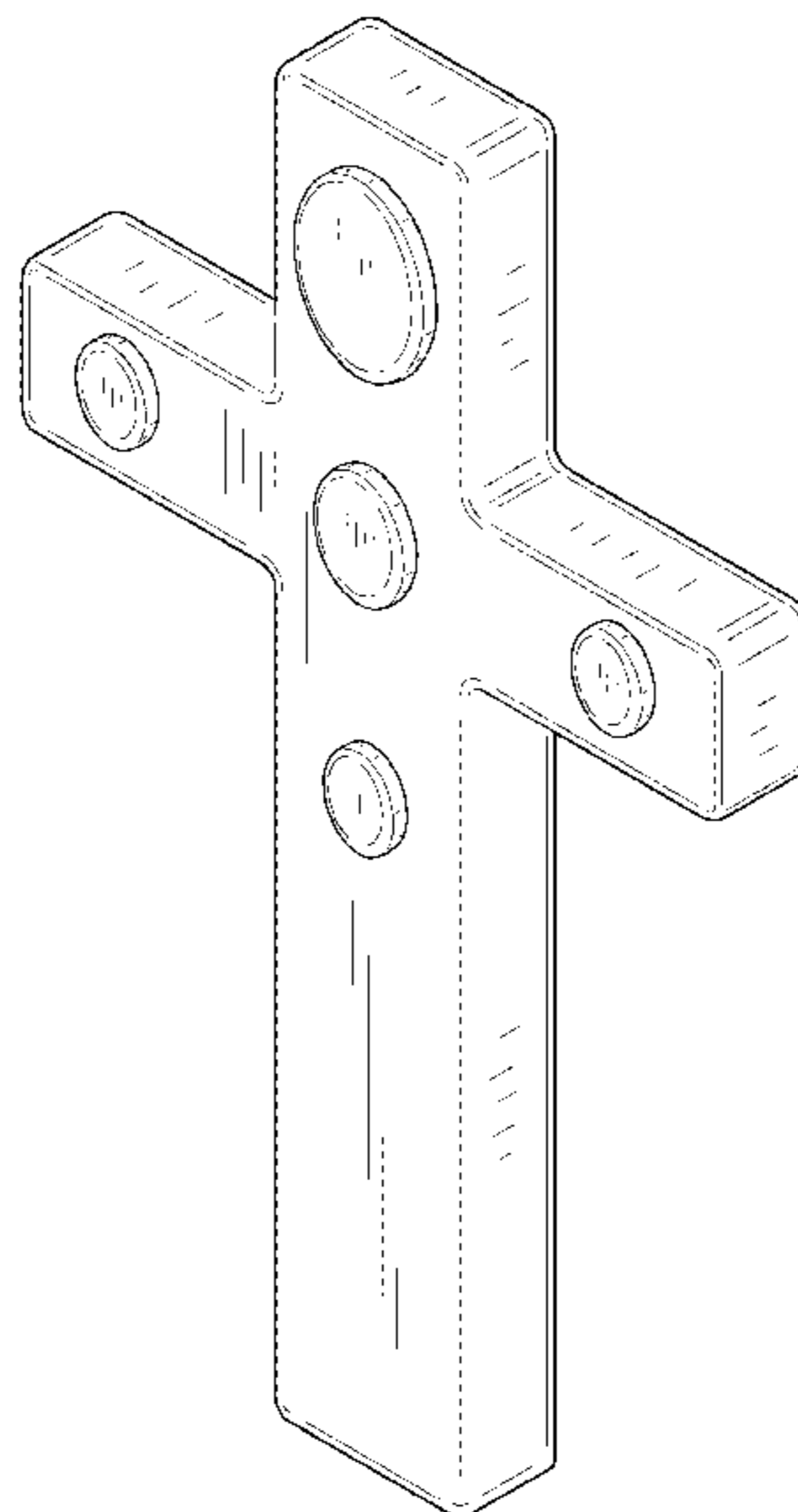
**DESCRIPTION**

FIG. 1 is a front view of a birth stone jewelry showing my new design;  
FIG. 2 is a rear view of the birth stone jewelry;  
FIG. 3 is a left side view of the birth stone jewelry, a right side view being a mirror image thereof;  
FIG. 4 is a top view of the birth stone jewelry;  
FIG. 5 is a bottom view of the birth stone jewelry; and,  
FIG. 6 is a top front side perspective view of the birth stone jewelry.

**1 Claim, 4 Drawing Sheets**

(56) **References Cited**  
U.S. PATENT DOCUMENTS

2,080,317 A 5/1937 Jaeckel .....  
D115,794 S \* 7/1939 Reiff ..... D11/81  
D118,859 S \* 2/1940 Kronstadt ..... D99/27  
D148,022 S \* 12/1947 Jacobson ..... D11/81  
D167,276 S \* 7/1952 Rickspoone ..... D11/81  
D189,687 S \* 1/1961 McAllister ..... D99/27  
D226,969 S \* 5/1973 Quigley ..... D11/81  
D256,399 S \* 8/1980 Barr .....  
D268,963 S \* 5/1983 Wiman ..... D11/48  
D283,408 S \* 4/1986 Martin ..... D11/96



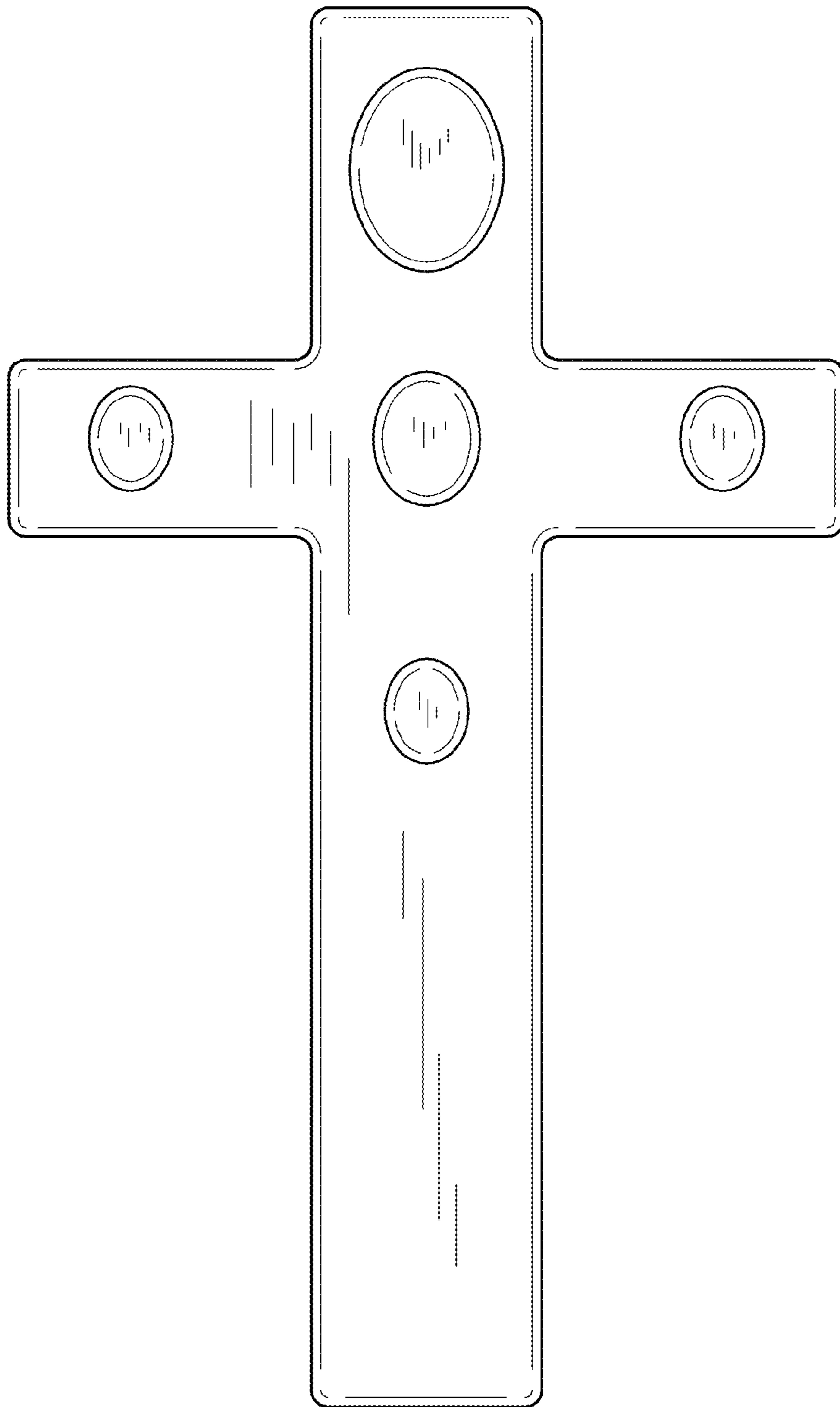


FIG. 1

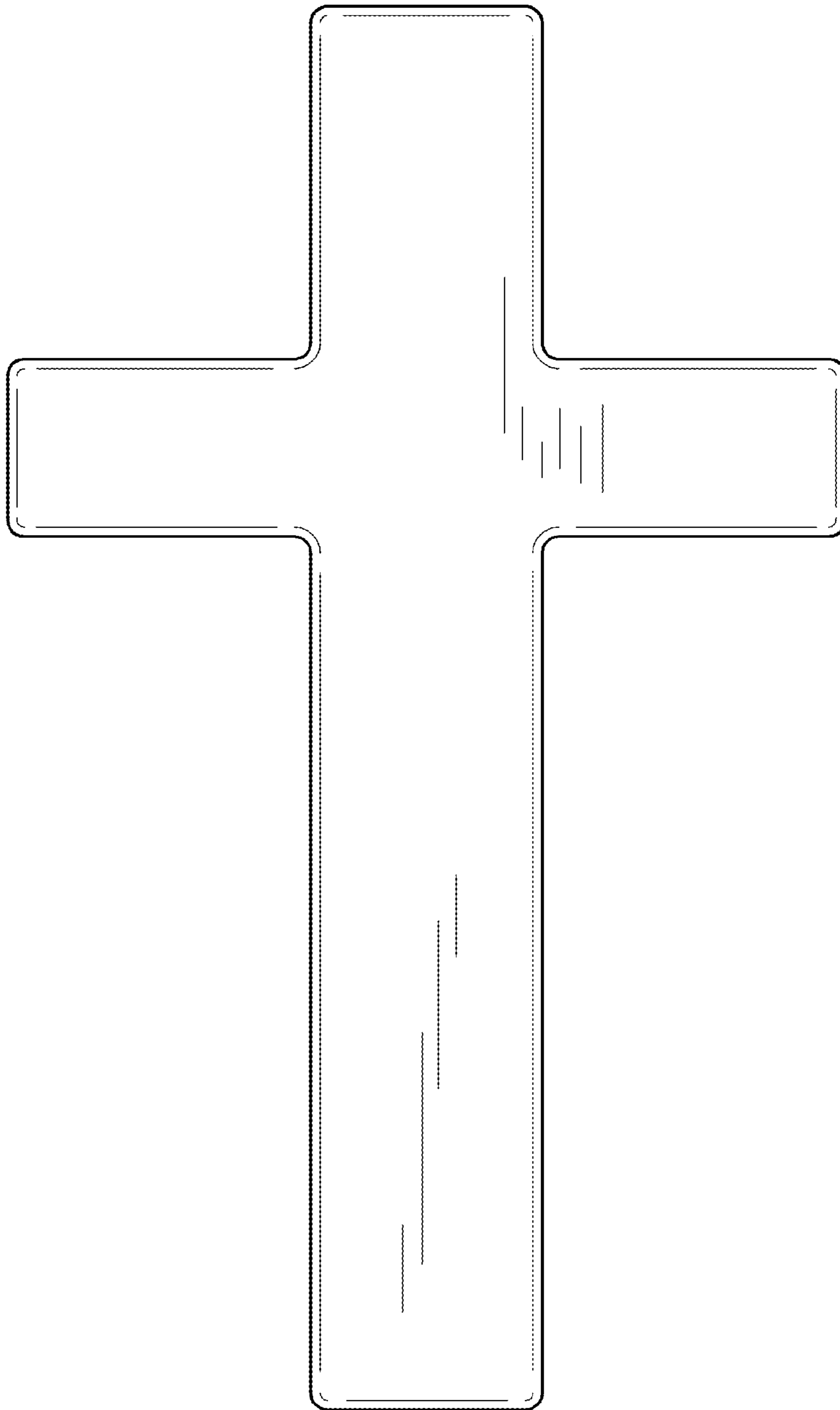


FIG. 2

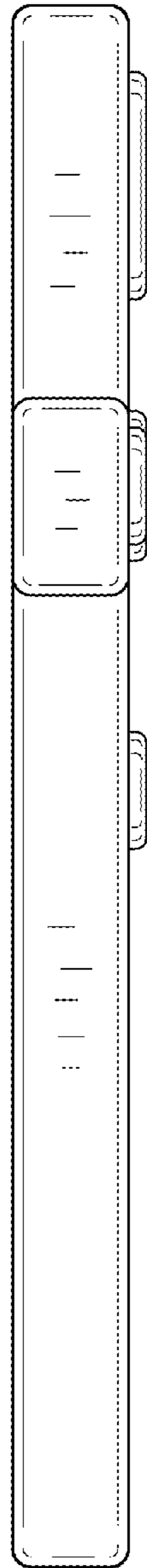


FIG. 3

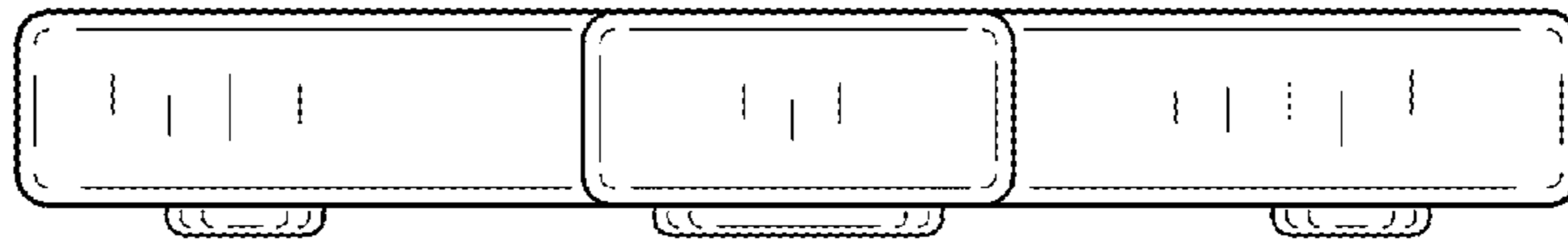


FIG. 4

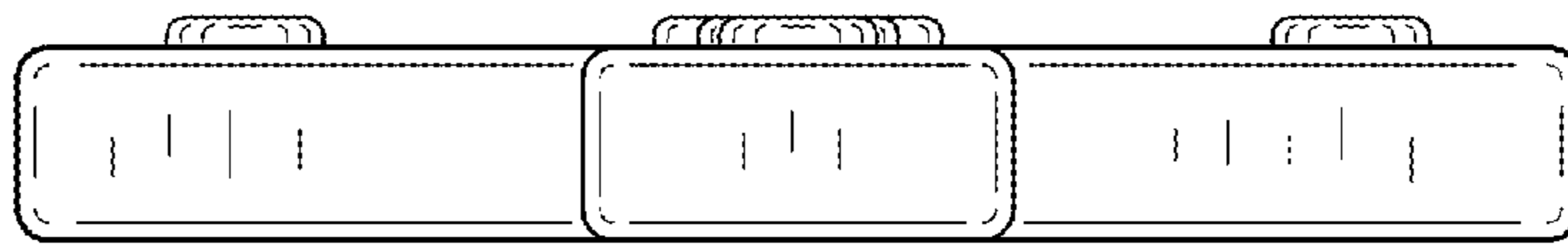


FIG. 5

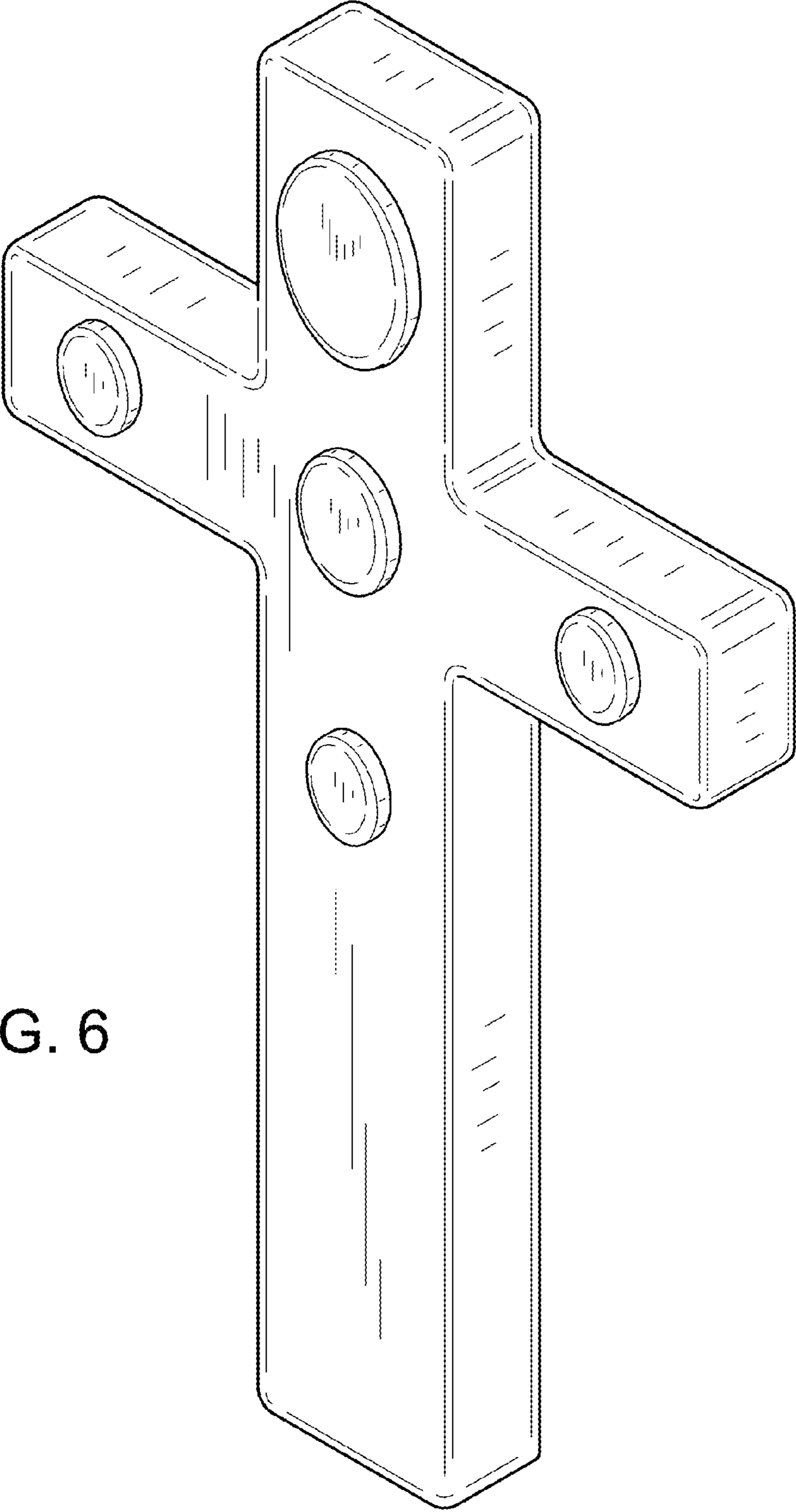


FIG. 6