



US00D753535S

(12) **United States Design Patent**
McNamara

(10) **Patent No.:** **US D753,535 S**

(45) **Date of Patent:** **** Apr. 12, 2016**

- (54) **ARTICLE OF JEWELRY**
- (71) Applicant: **Vela Jewelry, LLC**, New York, NY (US)
- (72) Inventor: **Michael T. McNamara**, New York, NY (US)
- (73) Assignee: **Vela Jewelry LLC**, New York, NY (US)
- (**) Term: **14 Years**
- (21) Appl. No.: **29/504,182**
- (22) Filed: **Oct. 2, 2014**
- (51) **LOC (10) Cl.** **11-01**
- (52) **U.S. Cl.**
USPC **D11/87**
- (58) **Field of Classification Search**
USPC D11/1-2, 7, 40-44, 46-49, 53, 56, 57,
D11/59-61, 63, 65, 79-83, 86-87, 89-90,
D11/91-92, 99, 101, 106, 114-116,
D11/200-201; 63/18-20
CPC A44C 5/02-5/246
See application file for complete search history.

D632,204 S *	2/2011	Schmitz	D11/87
D662,006 S *	6/2012	Lilak	D11/87
2005/0006566 A1	1/2005	Maeda		
2009/0002983 A1	1/2009	Lee		

FOREIGN PATENT DOCUMENTS

EP 1052917 A1 11/2000

OTHER PUBLICATIONS

<http://markgarbarini.com/> Site by TMG & Ricotta Design, 2013.
PCT/US2015/053666, International Search Report and Written Opinion, mailed Nov. 27, 2015, 13 pages.

* cited by examiner

Primary Examiner — Zenia Bennett

(74) *Attorney, Agent, or Firm* — Kilpatrick Townsend & Stockton, LLP

(57) **CLAIM**

The ornamental design for an article of jewelry, as shown and described.

DESCRIPTION

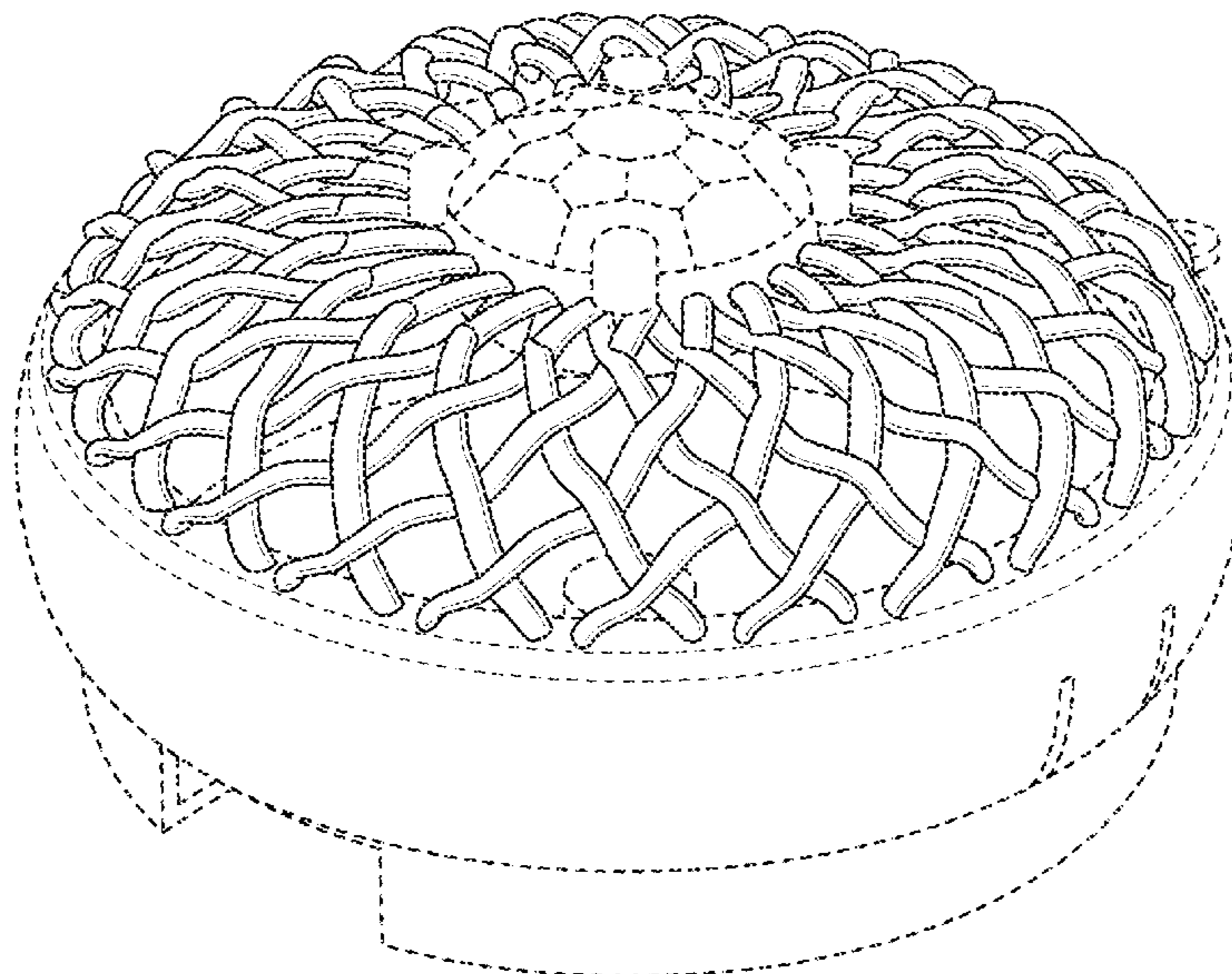
FIG. 1 is a perspective view of an embodiment of an article of jewelry.
FIG. 2 is a bottom view of the article of jewelry of FIG. 1.
FIG. 3 is a top view of the article of jewelry of FIG. 1.
FIG. 4 is a right side view of the article of jewelry of FIG. 1.
FIG. 5 is a left side view of the article of jewelry of FIG. 1.
FIG. 6 is a front view of the article of jewelry of FIG. 1; and,
FIG. 7 is a back view of the article of jewelry of FIG. 1.
In the drawings, details shown in broken lines form no part of the claimed design.

1 Claim, 5 Drawing Sheets

(56) **References Cited**

U.S. PATENT DOCUMENTS

D314,929 S *	2/1991	Chia	D11/6
5,323,300 A	6/1994	McCrary		
6,729,159 B2 *	5/2004	Rose	A44C 17/0208 24/574.1
D526,592 S *	8/2006	Crawford	D11/86
7,350,376 B2 *	4/2008	Couling	A44C 5/2095 63/3
D573,915 S *	7/2008	Moss	D11/213



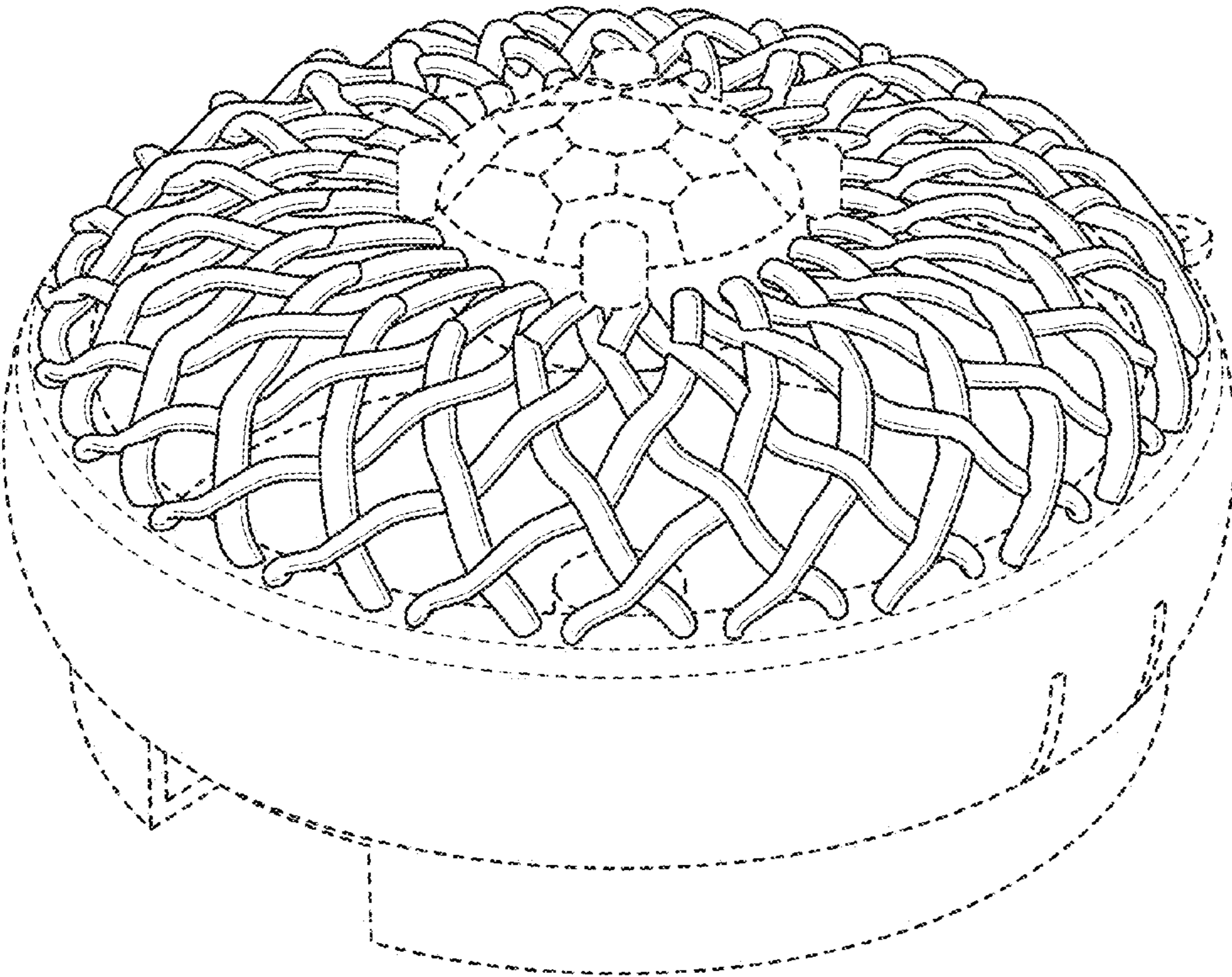


FIG. 1

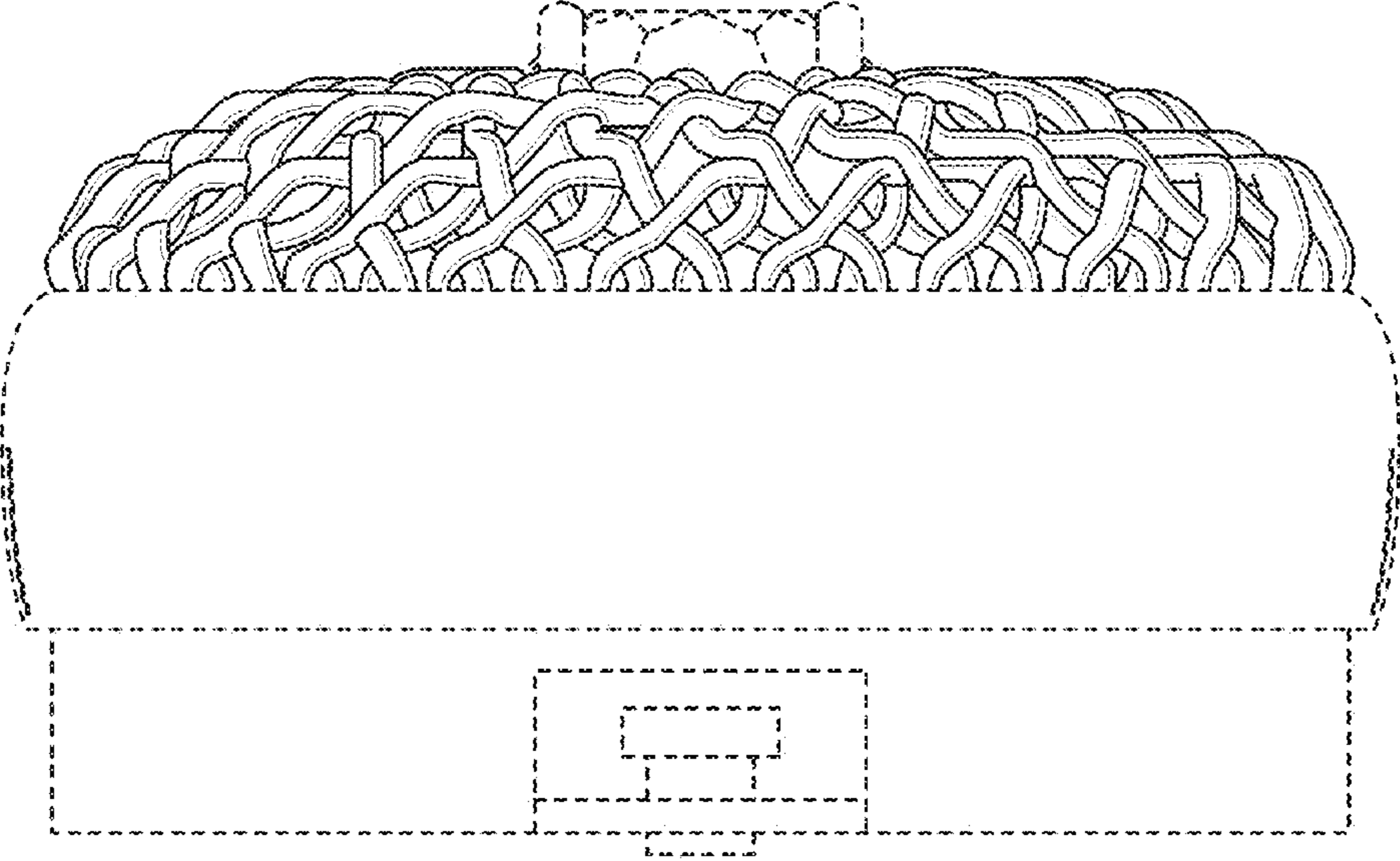


FIG. 2

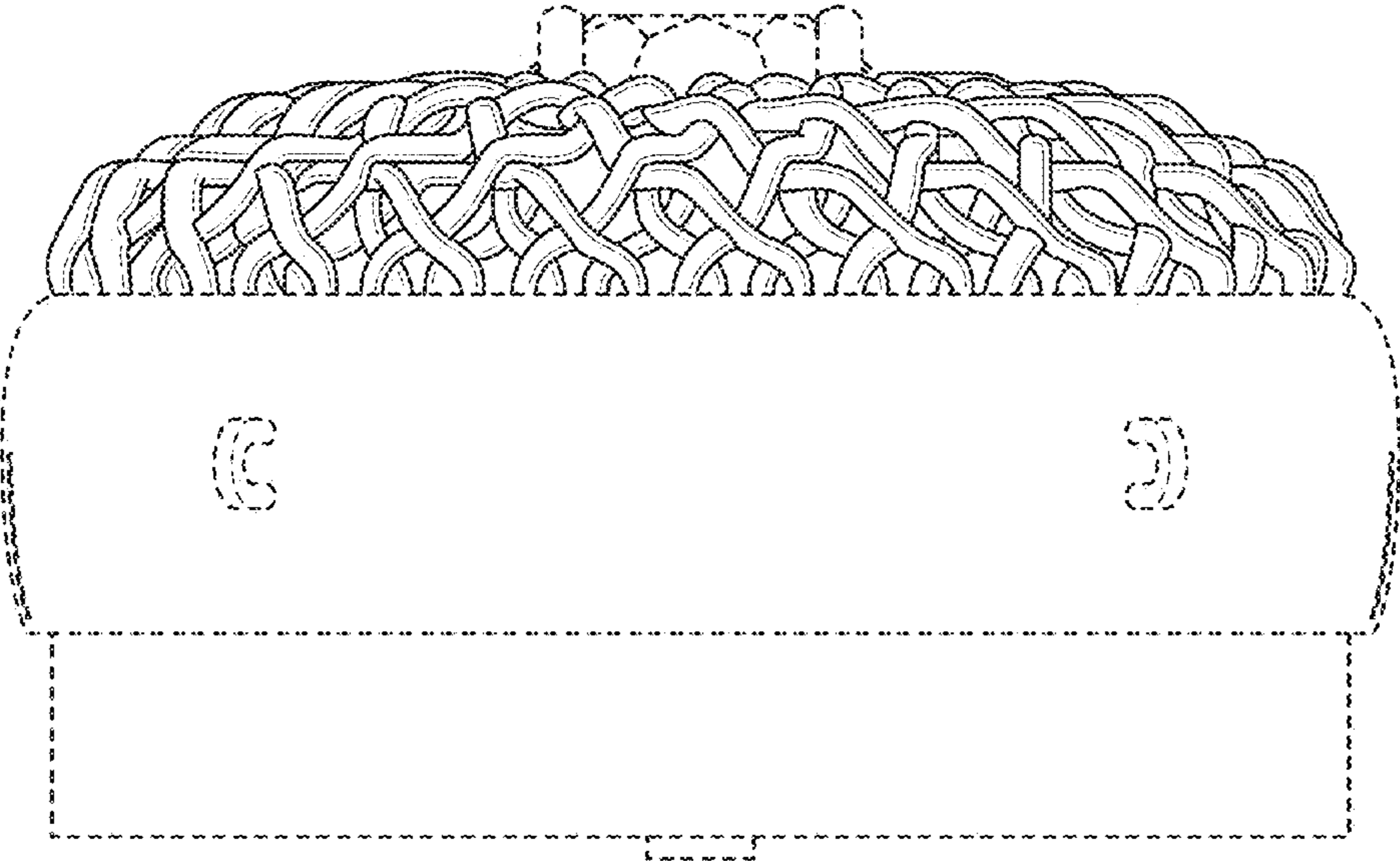


FIG. 3

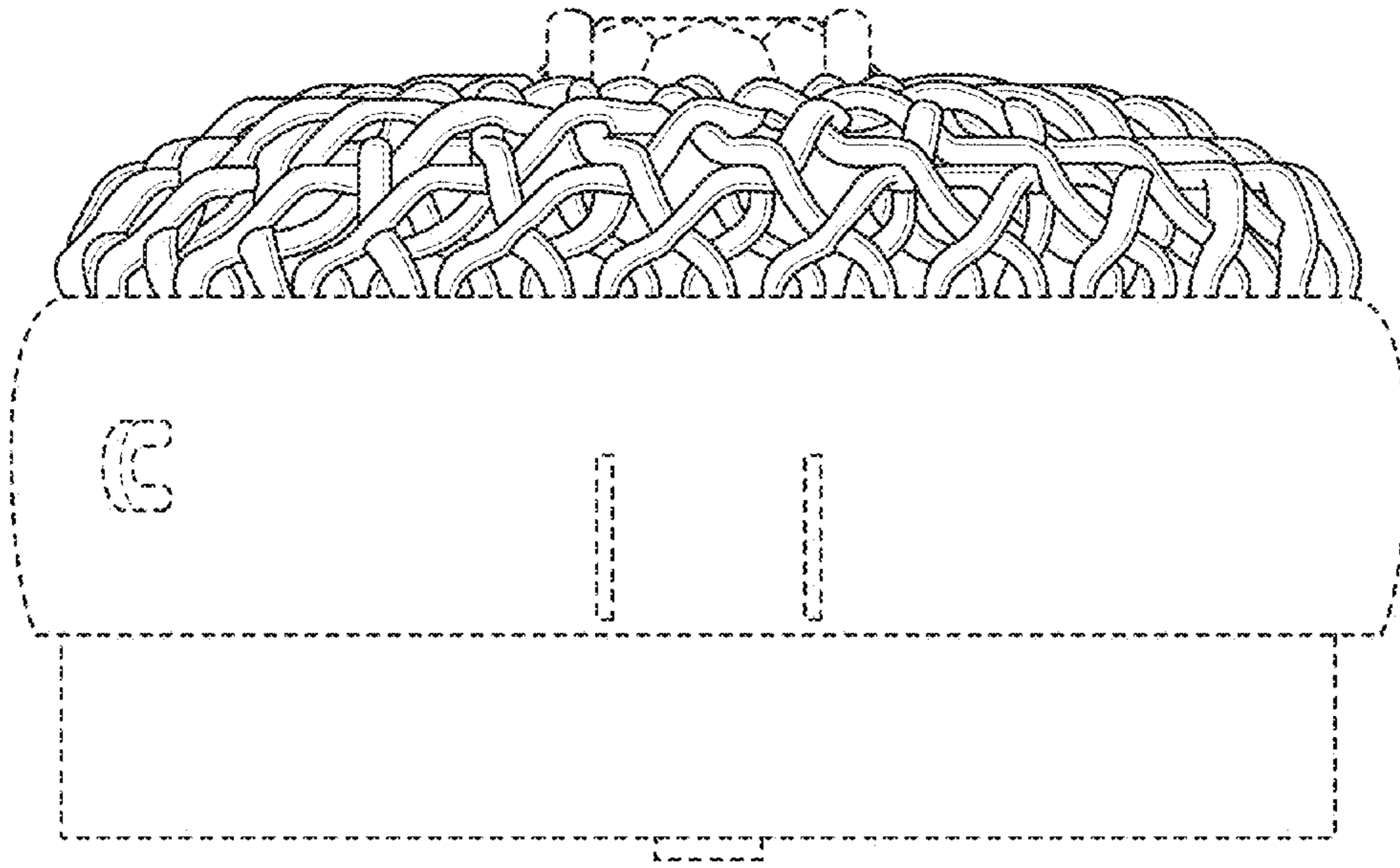


FIG. 4

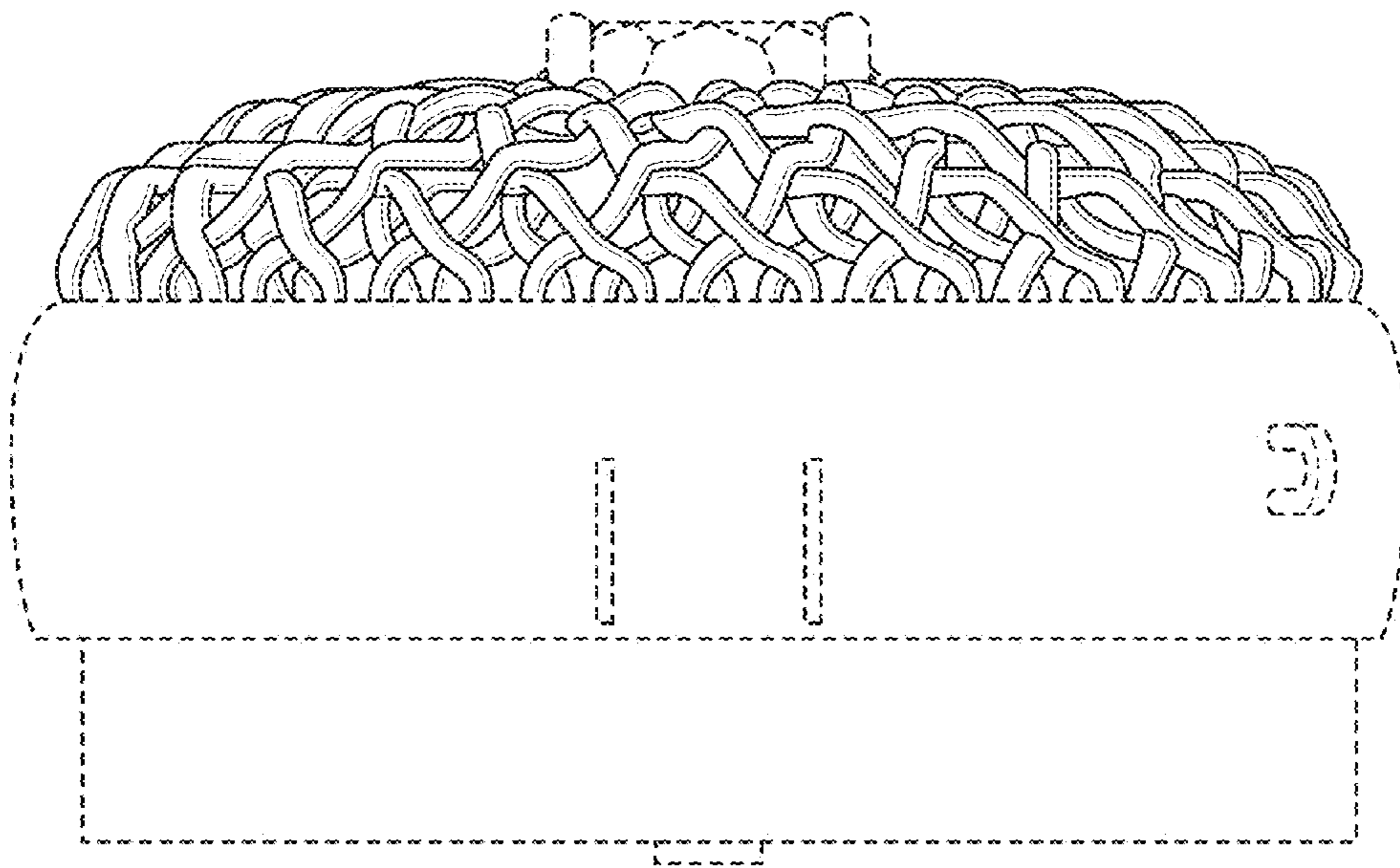


FIG. 5

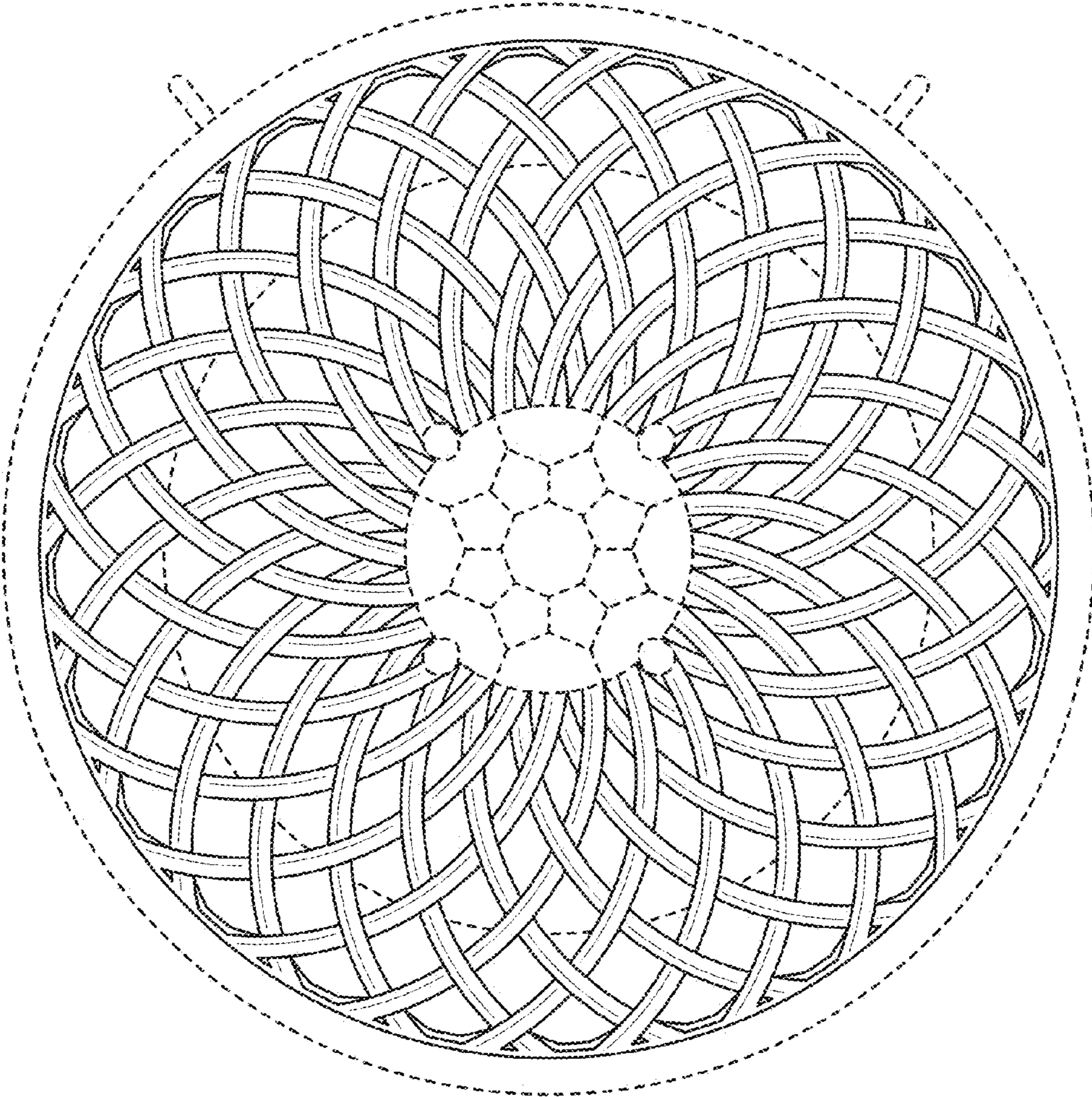


FIG. 6

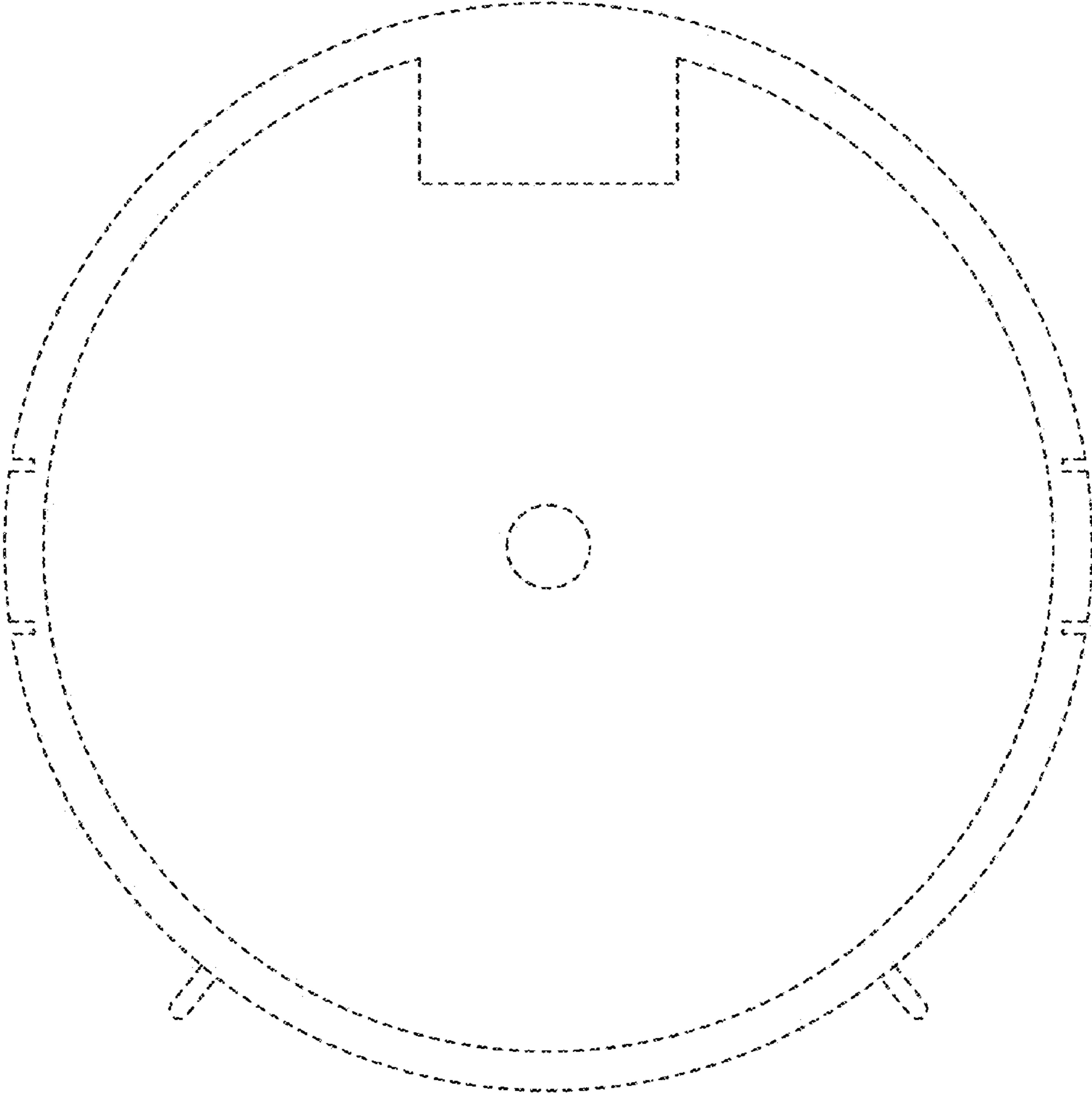


FIG. 7