



US00D753526S

(12) **United States Design Patent**  
**Wu**

(10) **Patent No.:** **US D753,526 S**  
(45) **Date of Patent:** **\*\* Apr. 12, 2016**

(54) **LED WARNING BEACON**

(71) Applicant: **XIAMEN LONAKO INDUSTRY CO., LTD.**, Xiamen (CN)

(72) Inventor: **Ting Lun Wu**, Xiamen (CN)

(73) Assignee: **XIAMEN LONAKO INDUSTRY CO., LTD.**, Xiamen, Fujian (CN)

(\*\*) Term: **14 Years**

(21) Appl. No.: **29/521,126**

(22) Filed: **Mar. 20, 2015**

(51) **LOC (10) Cl.** ..... **10-05**

(52) **U.S. Cl.**  
USPC ..... **D10/114.1**

(58) **Field of Classification Search**  
USPC ..... D10/109.1, 114.1, 114.2, 114.4;  
D26/28, 2, 71  
CPC ..... Y10S 362/80  
See application file for complete search history.

(56) **References Cited**

U.S. PATENT DOCUMENTS

D446,323 S *	8/2001	Hurayt .....	D26/28
7,158,020 B2 *	1/2007	Grady, Jr. ....	B60Q 7/00 116/63 T
D663,051 S *	7/2012	Xu .....	D26/2
D729,956 S *	5/2015	Obrzut .....	D26/2
D741,517 S *	10/2015	Hwang .....	D26/2
D744,123 S *	11/2015	Ooshima .....	D26/2

\* cited by examiner

*Primary Examiner* — George D Kirschbaum  
(74) *Attorney, Agent, or Firm* — Leong C. Lei

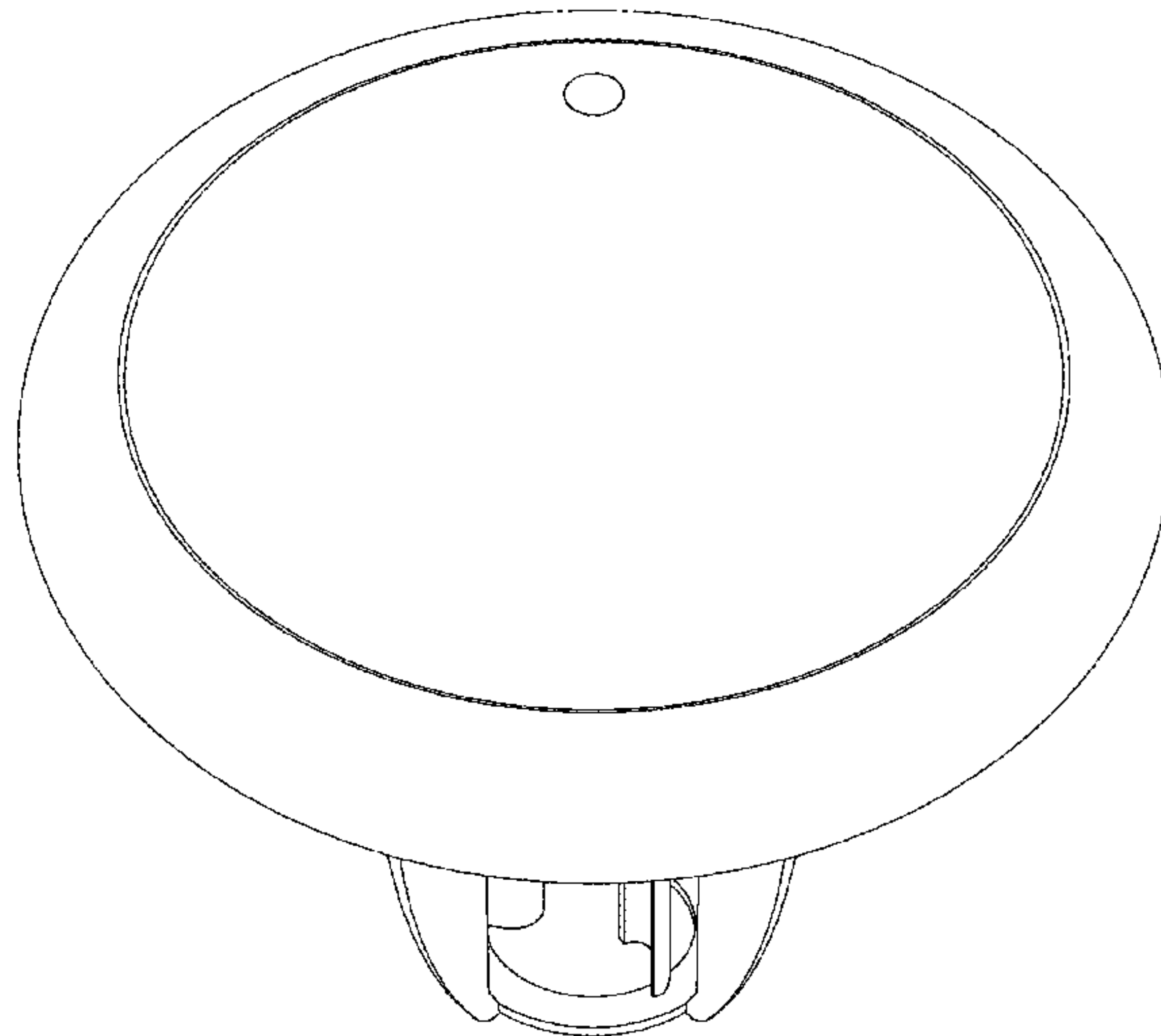
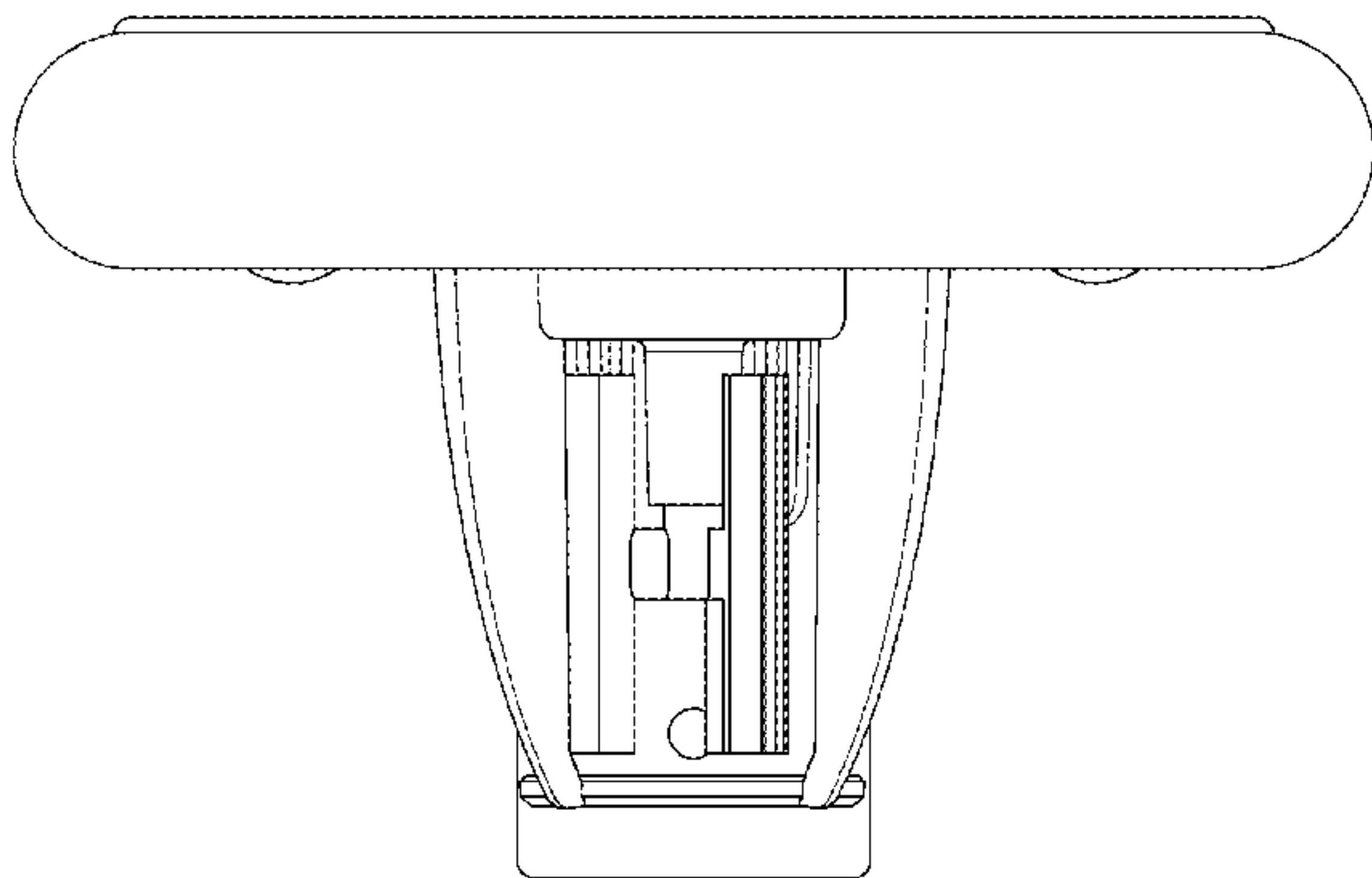
(57) **CLAIM**

The ornamental design for a LED warning beacon, as shown and described.

**DESCRIPTION**

FIG. 1 is a front view thereof of LED warning beacon showing my new design;  
FIG. 2 is a rear view thereof;  
FIG. 3 is a left side view thereof;  
FIG. 4 is a right side view thereof;  
FIG. 5 is a top view thereof;  
FIG. 6 is a bottom view thereof;  
FIG. 7 is a perspective view thereof; and,  
FIG. 8 is a rear perspective view of LED warning beacon thereof.

**1 Claim, 8 Drawing Sheets**



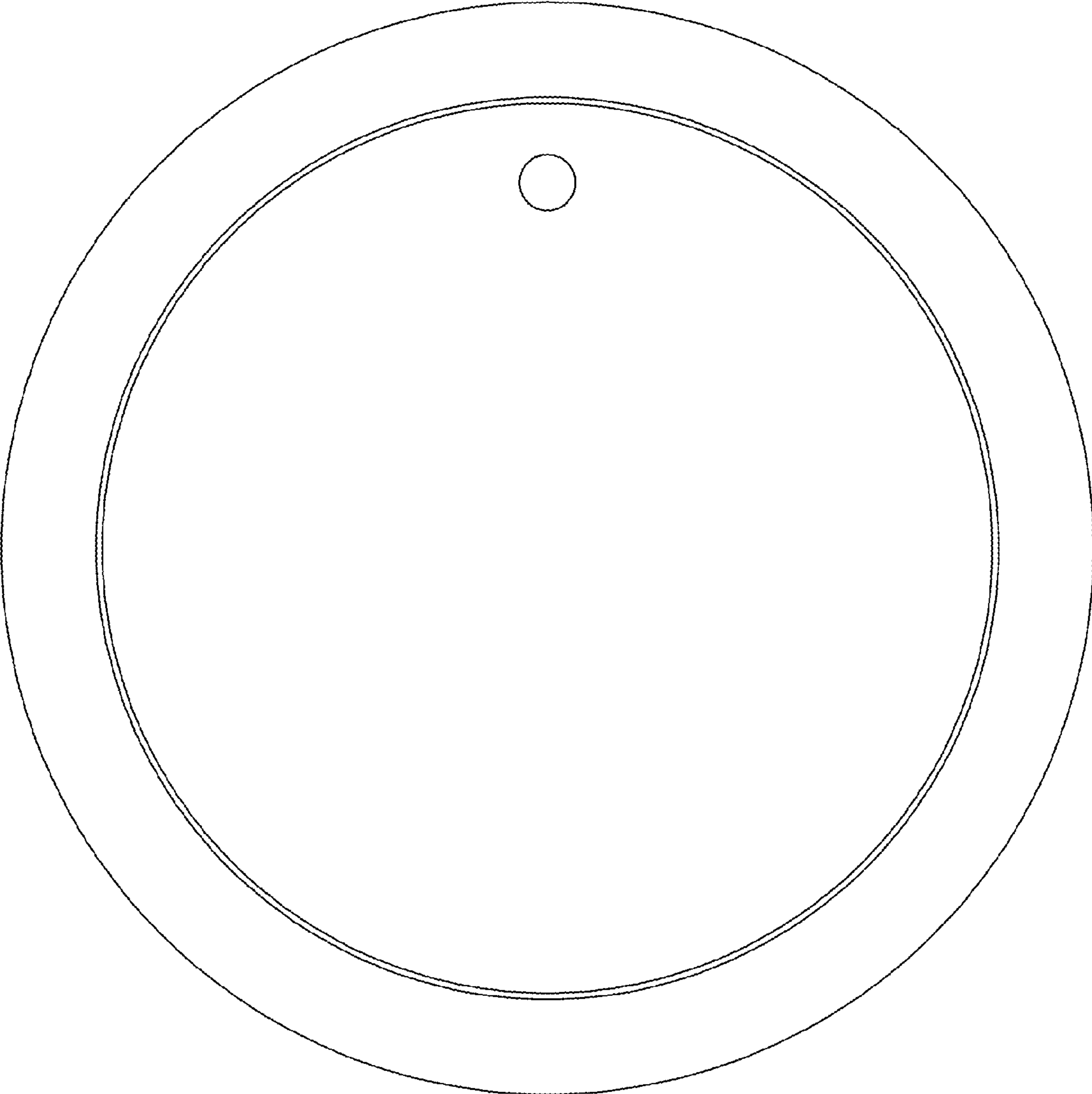


FIG.1

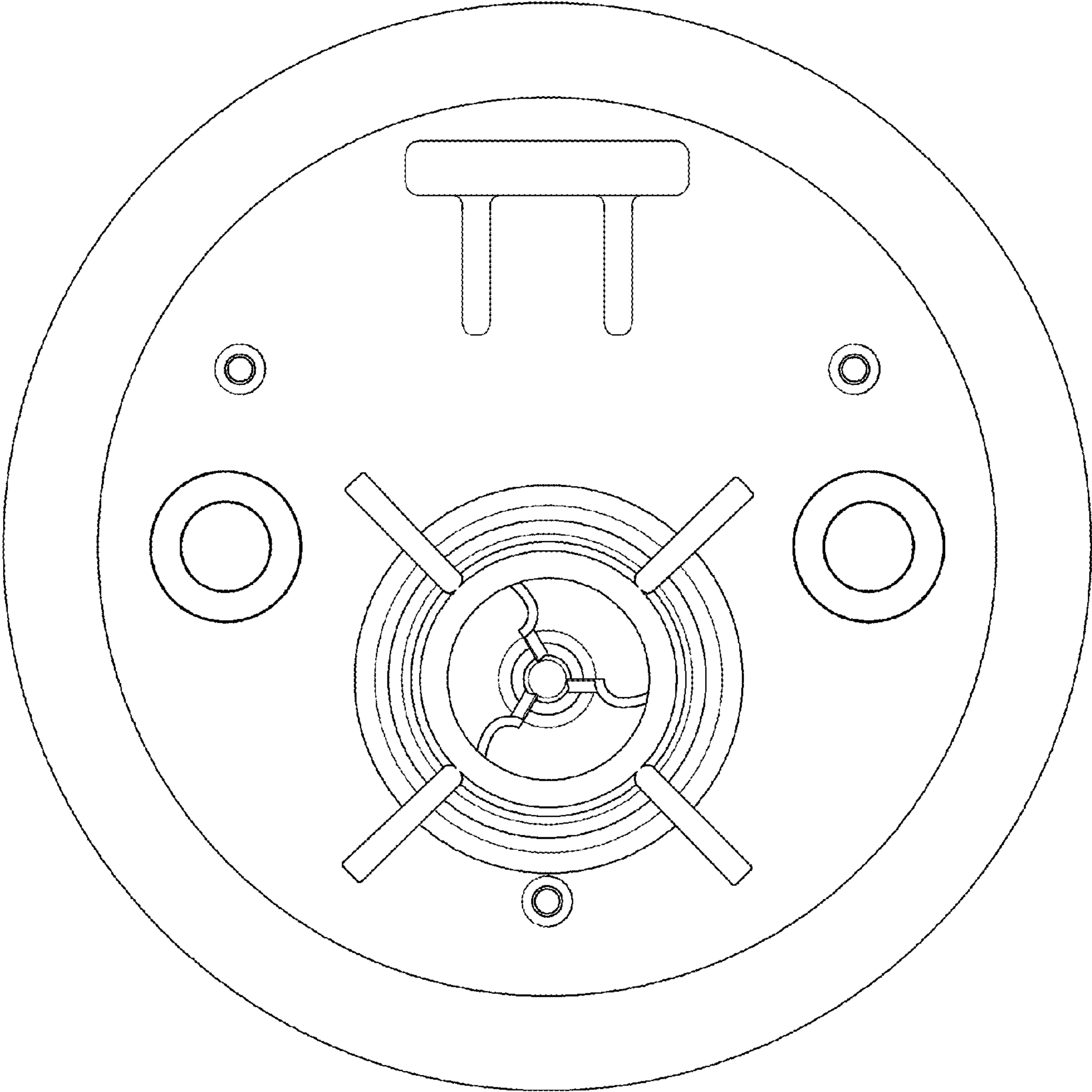


FIG.2

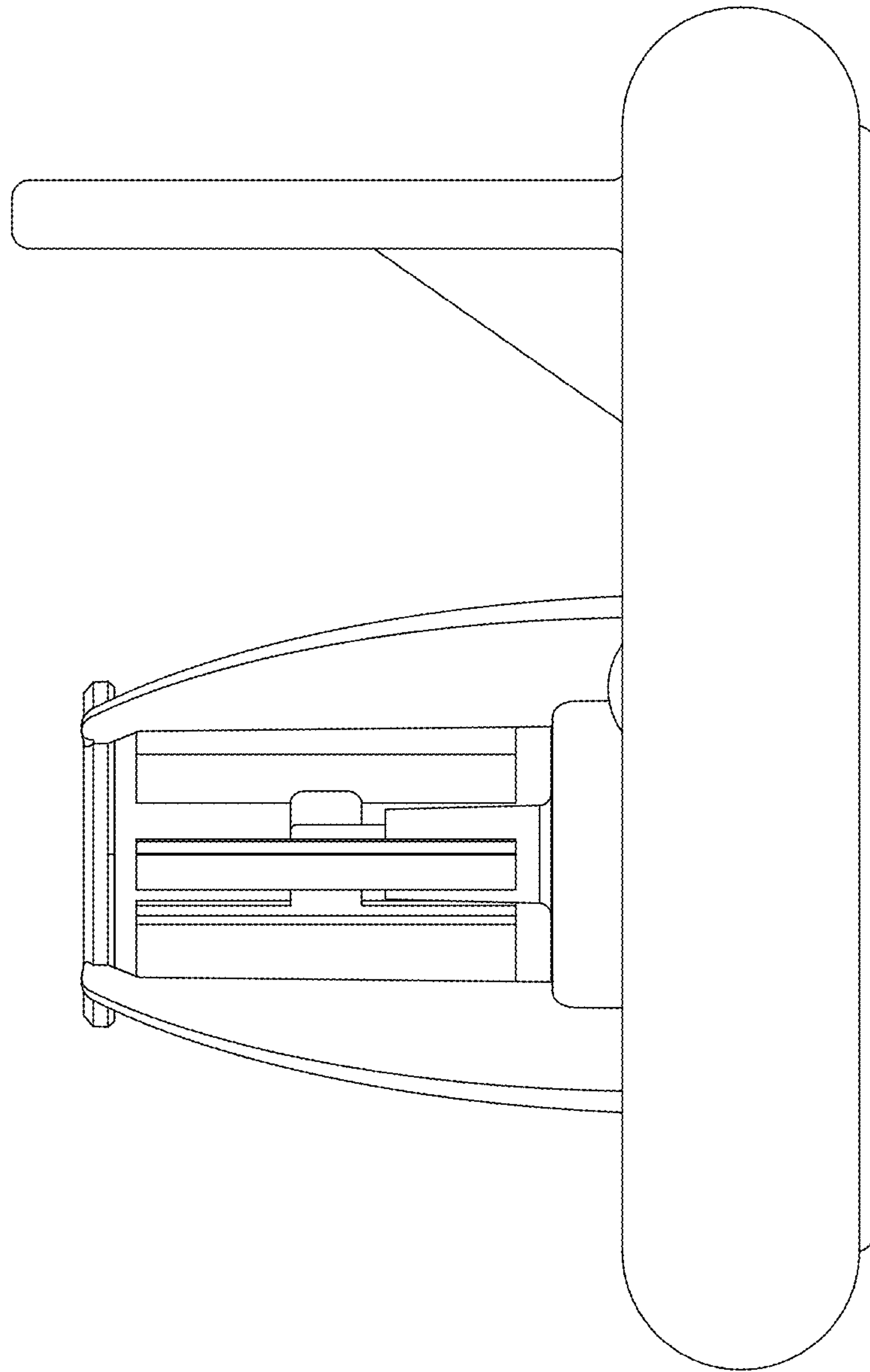


FIG.3

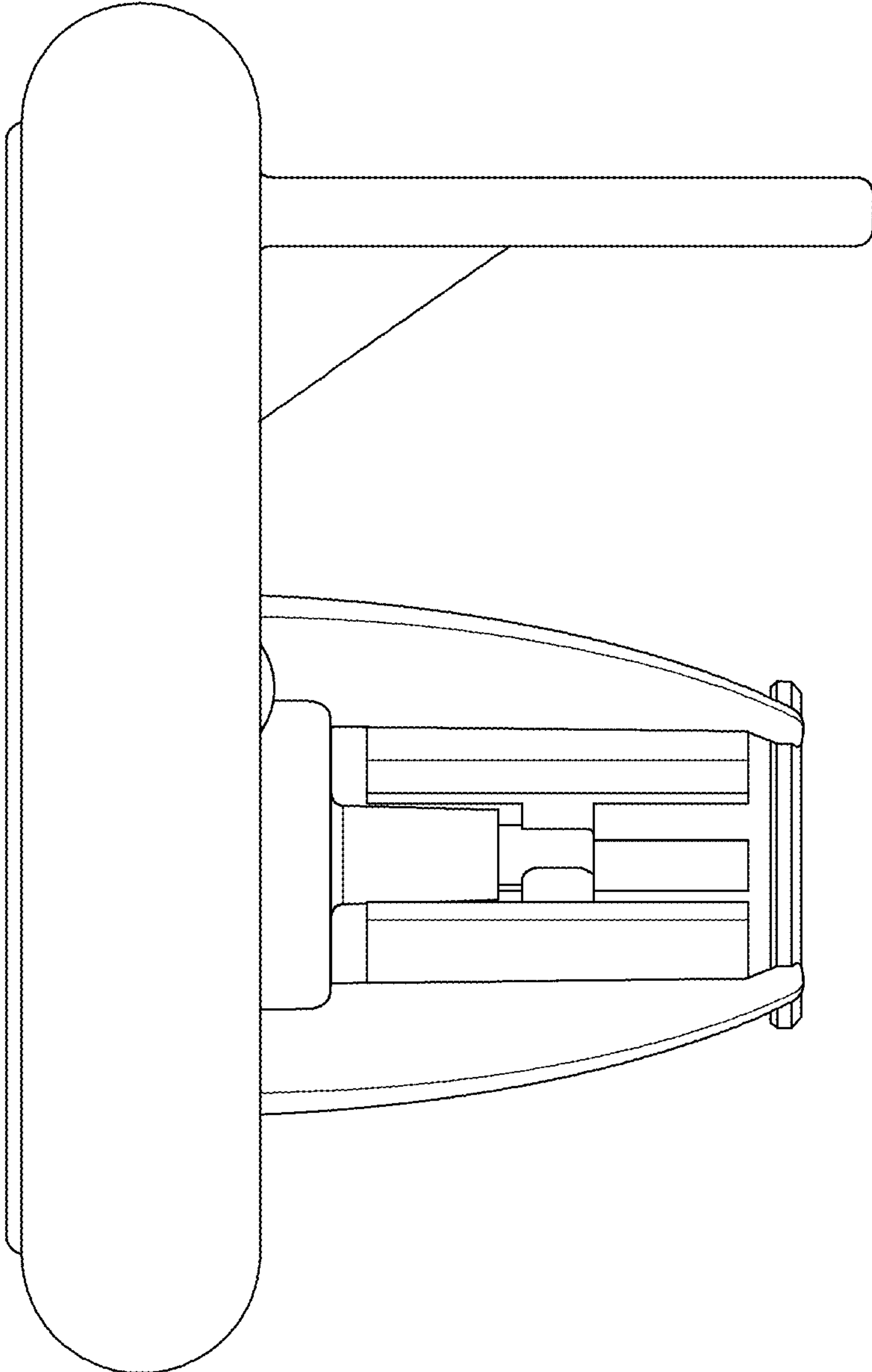


FIG.4

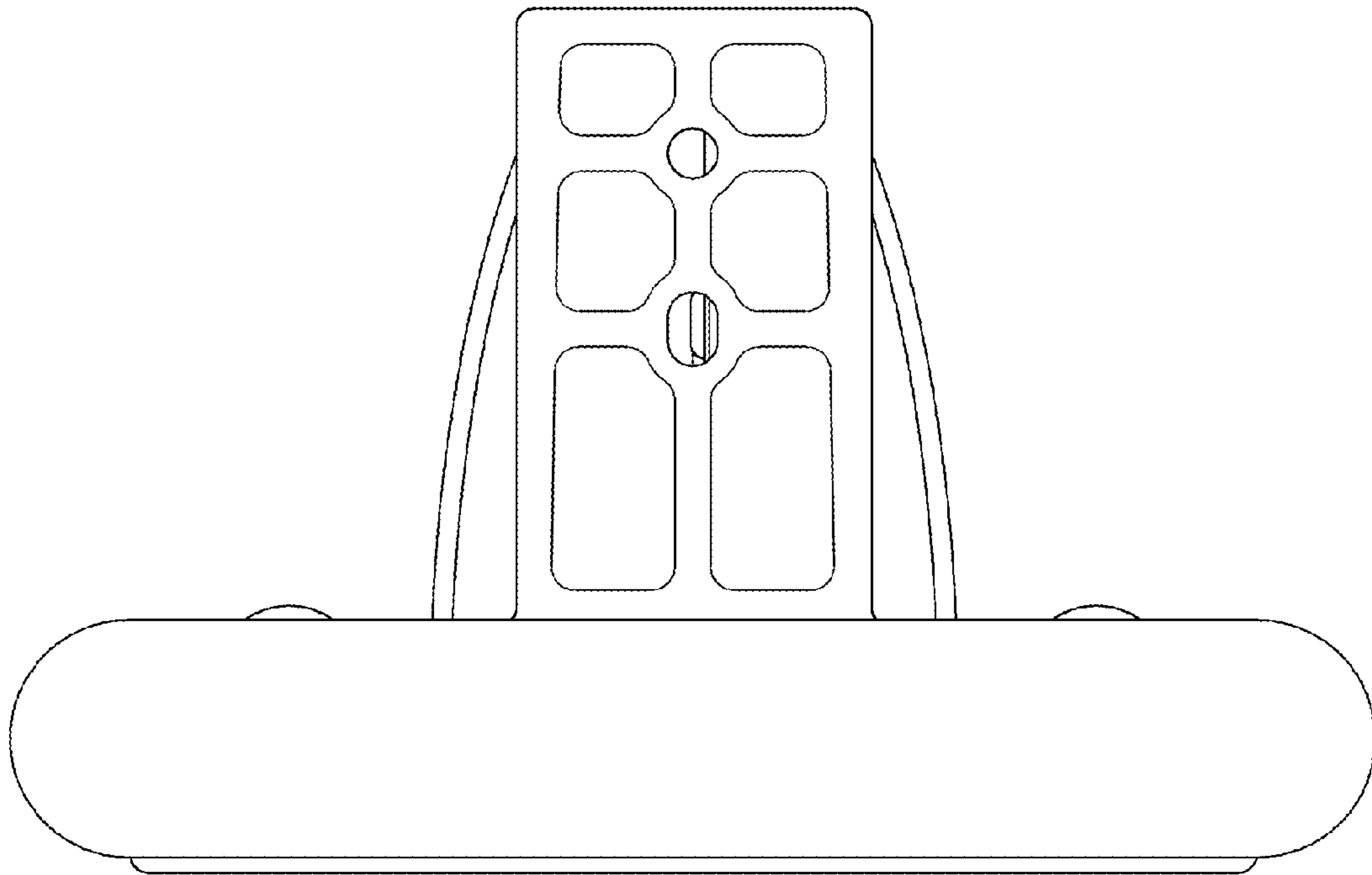


FIG.5

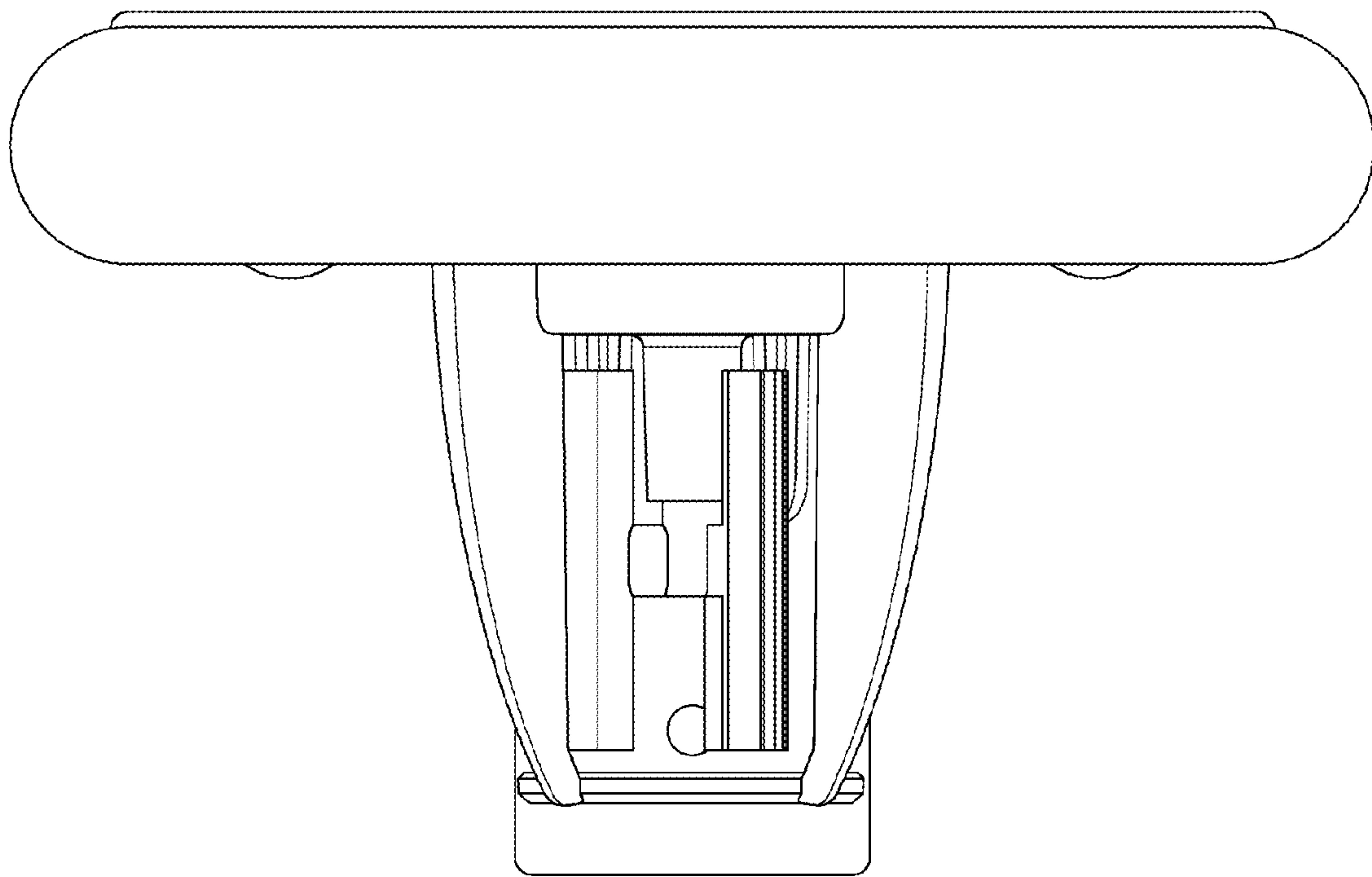


FIG.6

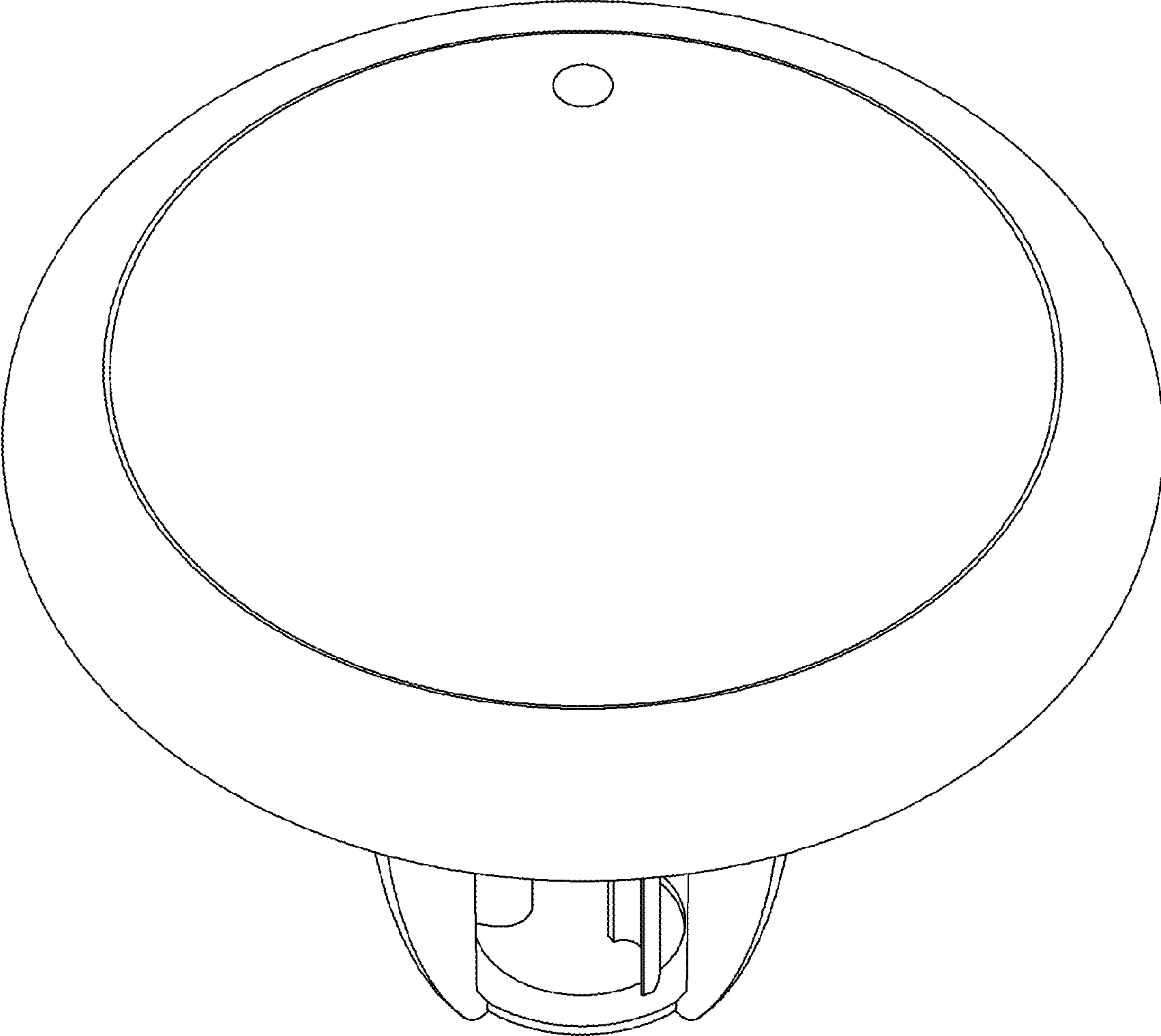


FIG.7



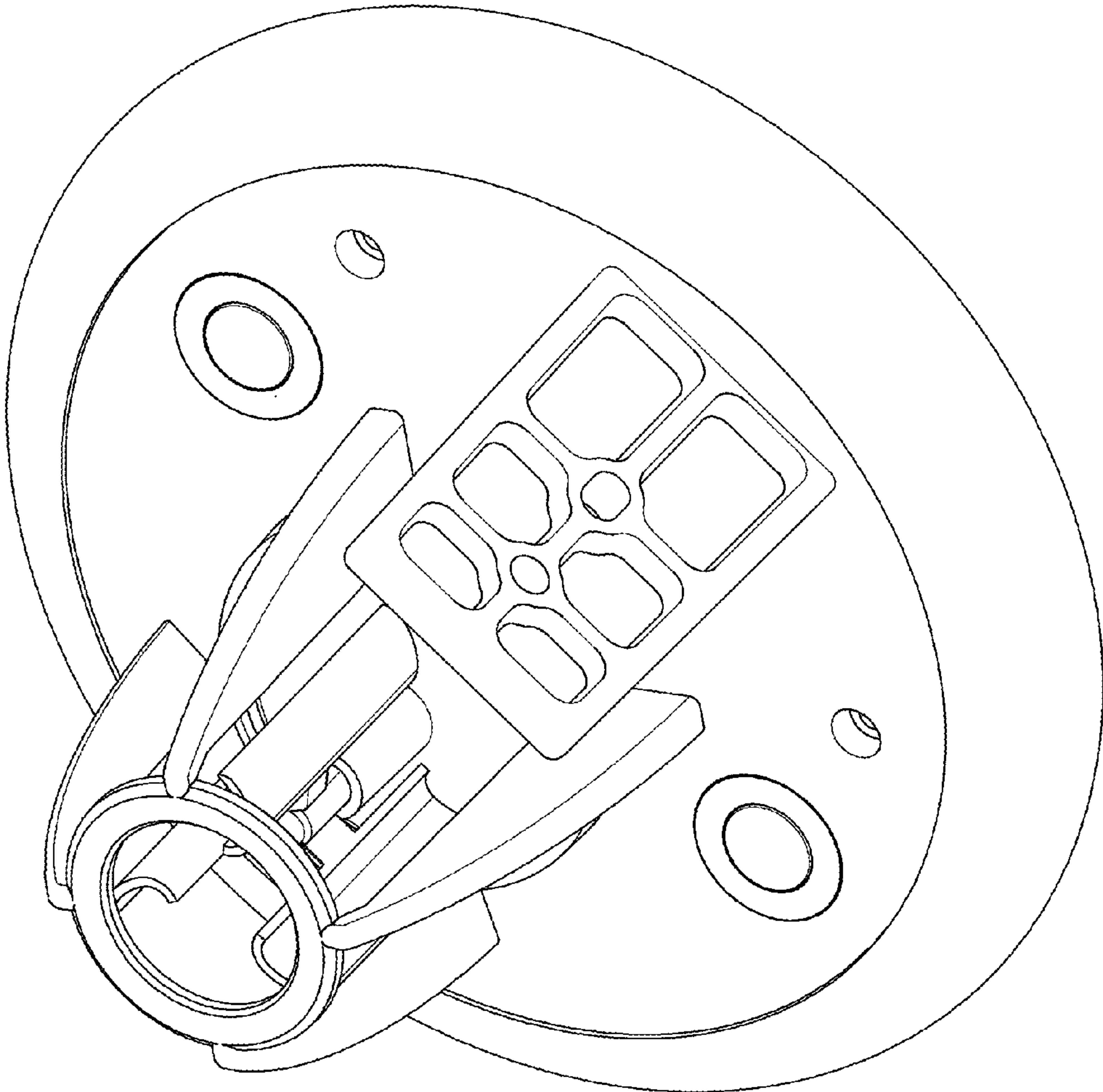


FIG.8