



US00D753521S

(12) **United States Design Patent**
Koshimizu et al.

(10) **Patent No.:** **US D753,521 S**

(45) **Date of Patent:** **** *Apr. 12, 2016**

(54) **CURRENT SENSOR**

(71) Applicant: **NIDEC SANKYO CORPORATION**,
Nagano (JP)

(72) Inventors: **Takeshi Koshimizu**, Nagano (JP);
Tsuyoshi Yokouchi, Nagano (JP)

(73) Assignee: **NIDEC SANKYO CORPORATION**
(JP)

(*) Notice: This patent is subject to a terminal disclaimer.

(**) Term: **14 Years**

(21) Appl. No.: **29/507,739**

(22) Filed: **Oct. 30, 2014**

(30) **Foreign Application Priority Data**

Apr. 30, 2014 (JP) 2014-009444

(51) **LOC (10) Cl.** **10-04**

(52) **U.S. Cl.**
USPC **D10/75**

(58) **Field of Classification Search**
USPC D10/75, 78
CPC .. G01R 15/202; G01R 15/205; G01R 15/207;
G01R 15/18; G01R 15/20; G01R 15/148;
G01R 15/181; G01R 15/183; G01R 33/0005;
G01R 33/02; G01R 33/06; G01R 33/063;
G01R 33/066; G01R 33/07; G01R 33/072;
G01R 33/075

See application file for complete search history.

(56) **References Cited**

U.S. PATENT DOCUMENTS

D401,171	S	*	11/1998	Cattaneo	D10/78
6,005,393	A	*	12/1999	Baumgartl	324/509
D420,297	S	*	2/2000	Cattaneo	D10/78
D494,078	S	*	8/2004	Vuillermoz	D10/75
7,196,506	B2	*	3/2007	Catona et al.	324/117 H
7,385,394	B2	*	6/2008	Auburger et al.	324/252
D600,576	S	*	9/2009	Marcoz	D10/79

* cited by examiner

Primary Examiner — Antoine D Davis

(74) *Attorney, Agent, or Firm* — Cantor Colburn LLP

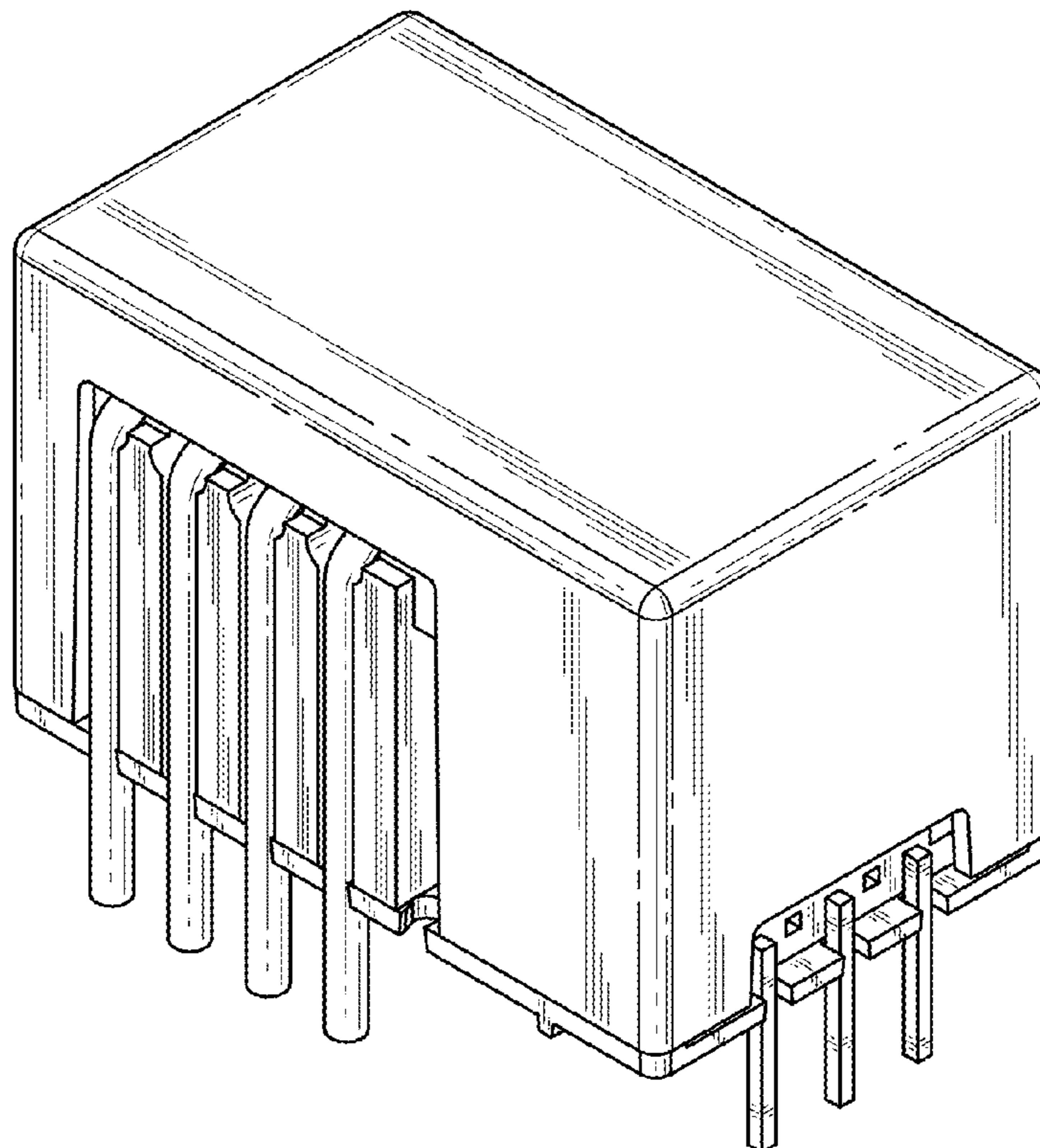
(57) **CLAIM**

We claim the ornamental design for an current sensor, as shown and described.

DESCRIPTION

FIG. 1 is a front perspective view of a current sensor. FIG. 2 is a front elevation view of the current sensor; FIG. 3 is a rear elevation view of the current sensor; FIG. 4 is a left side view of the current sensor; FIG. 5 is a right side view of the current sensor; FIG. 6 is a top plan view of the current sensor; and, FIG. 7 is a bottom plan view of the current sensor.

1 Claim, 4 Drawing Sheets



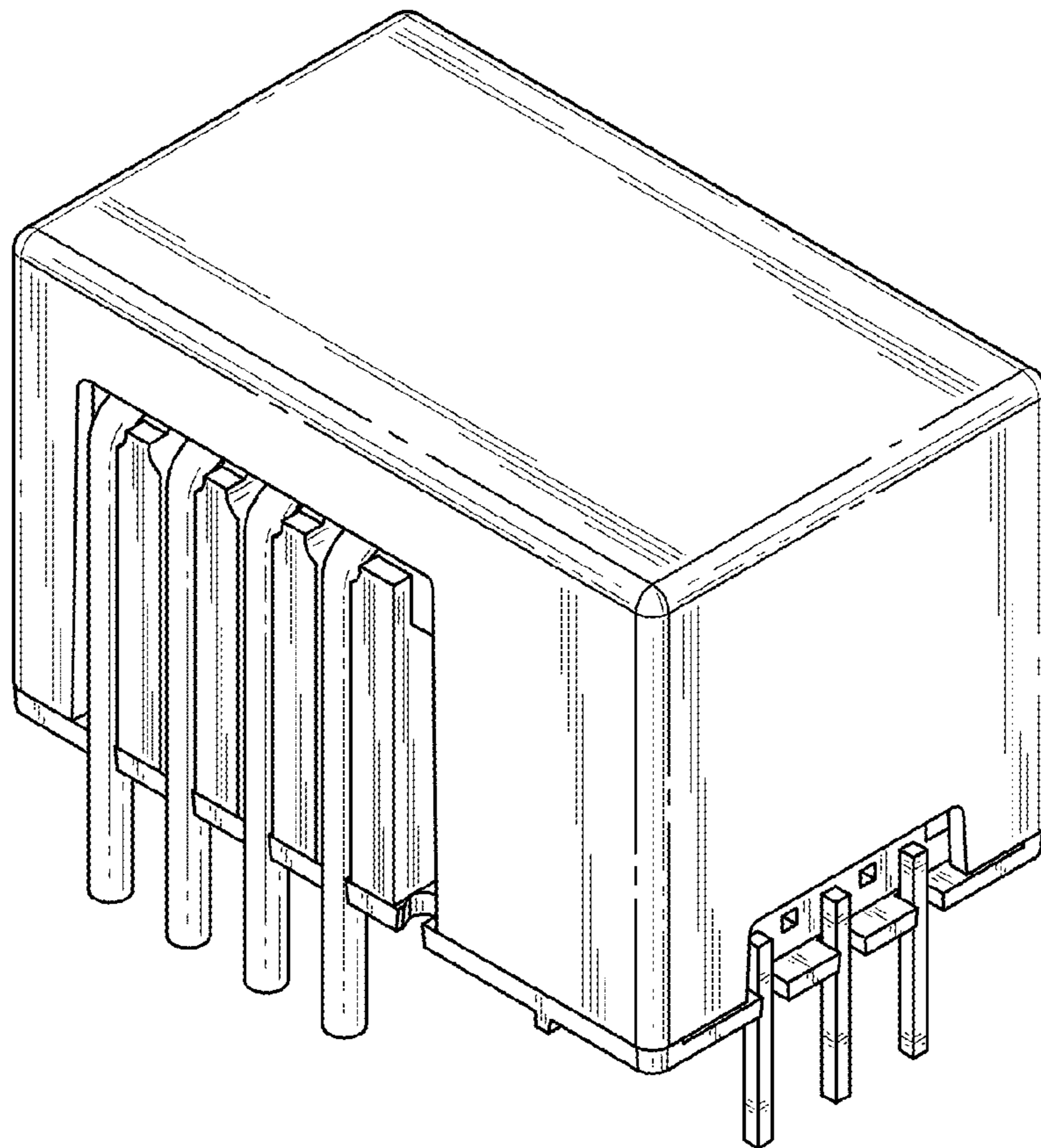


FIG. 1

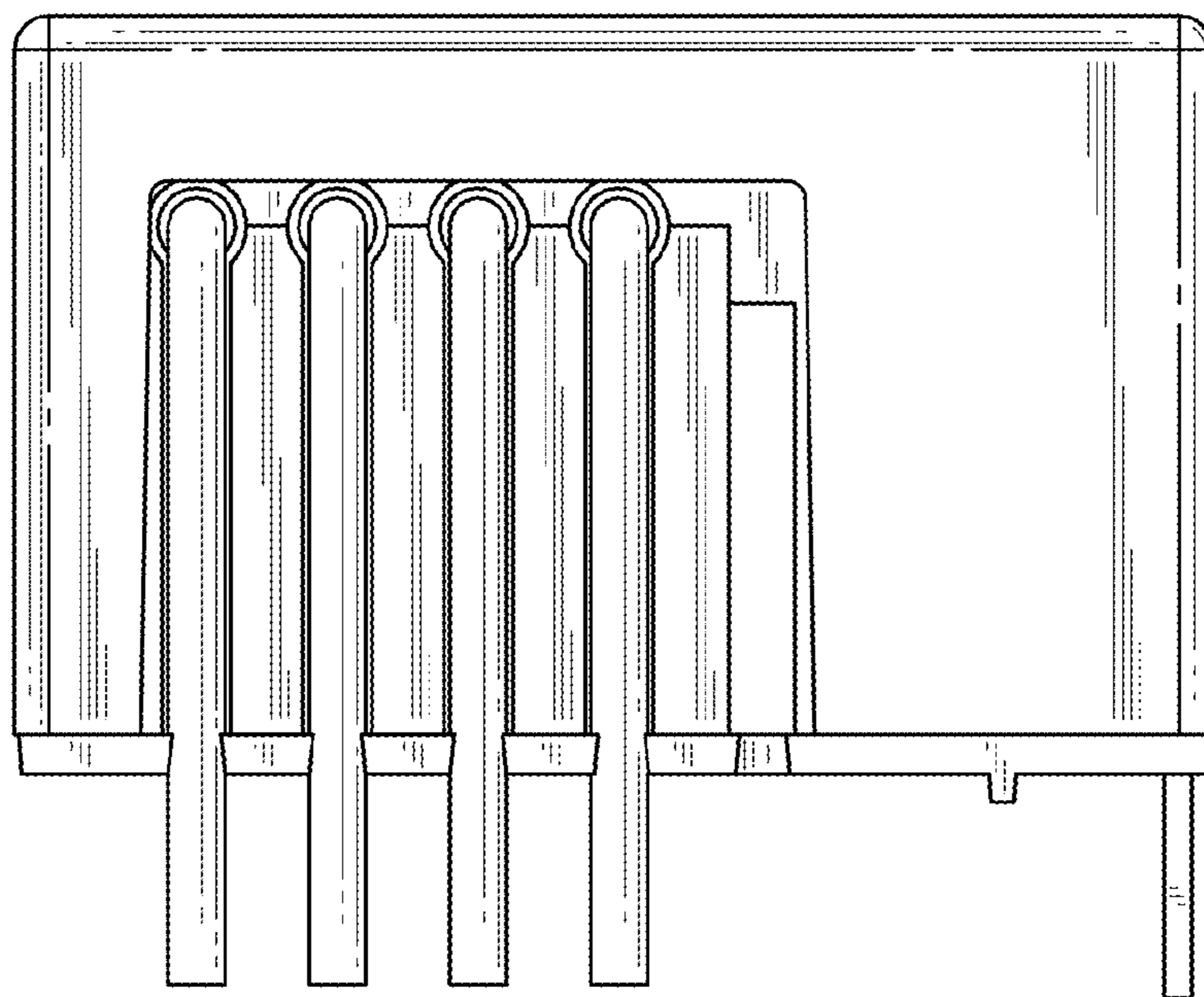


FIG. 2

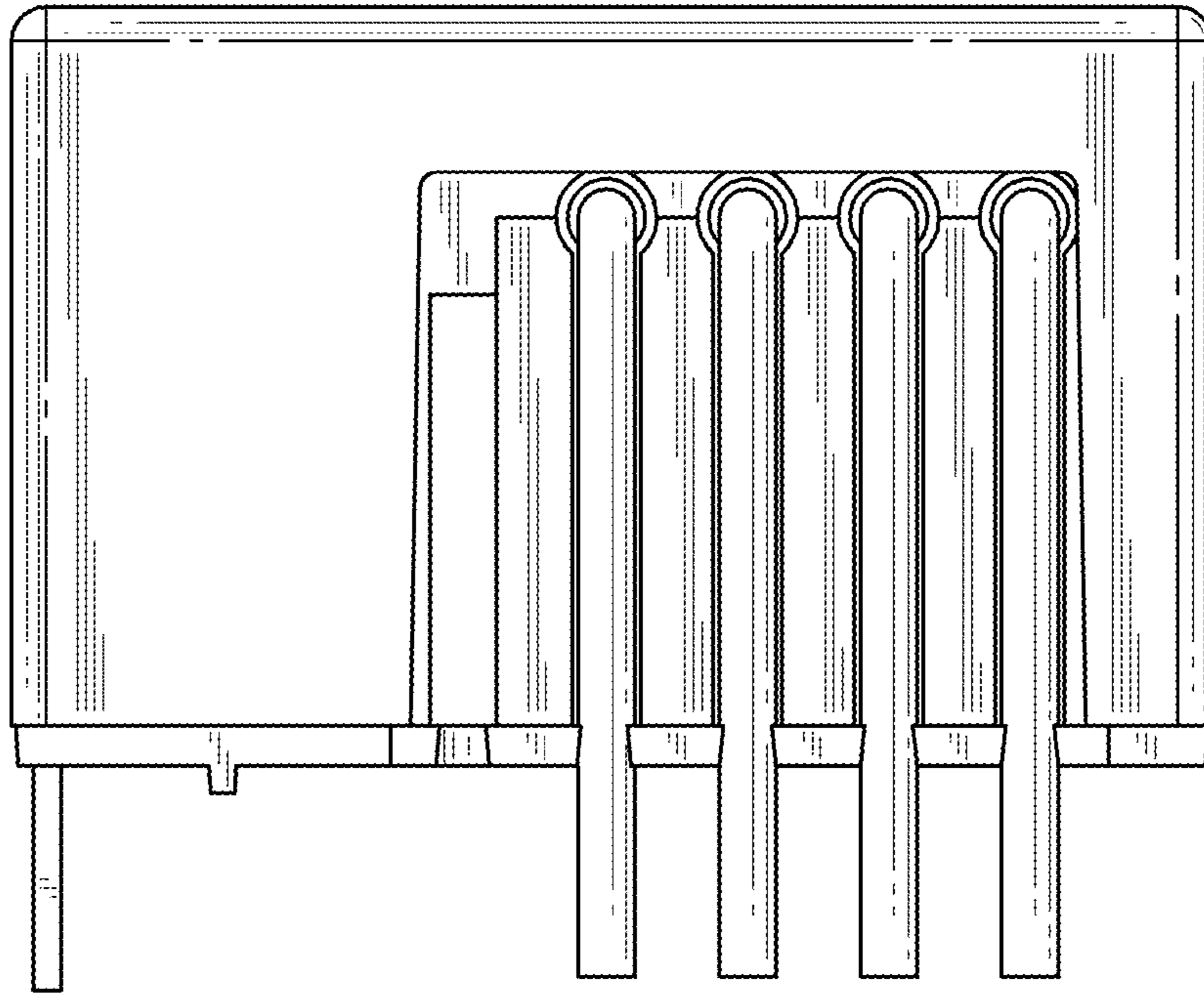


FIG. 3

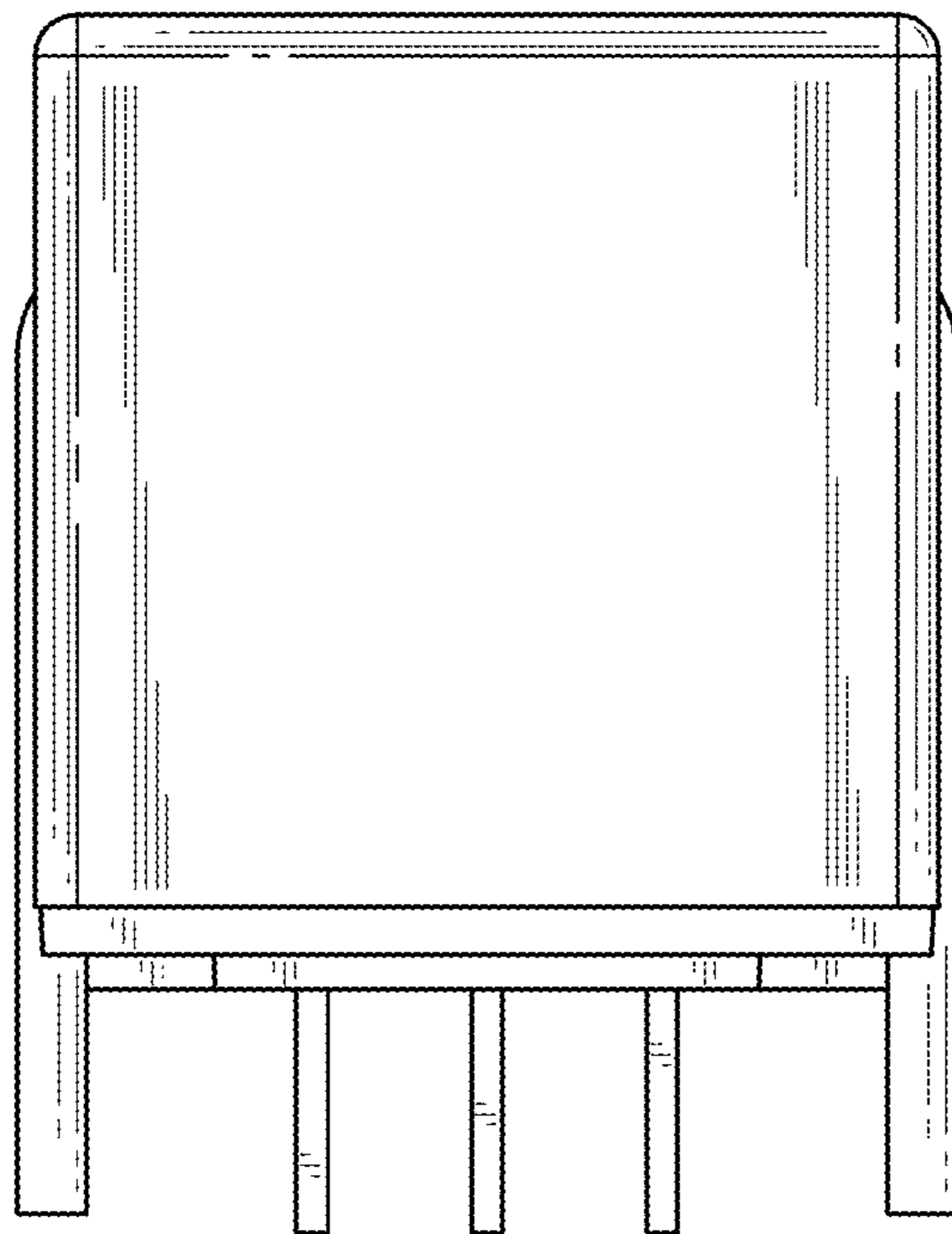


FIG. 4

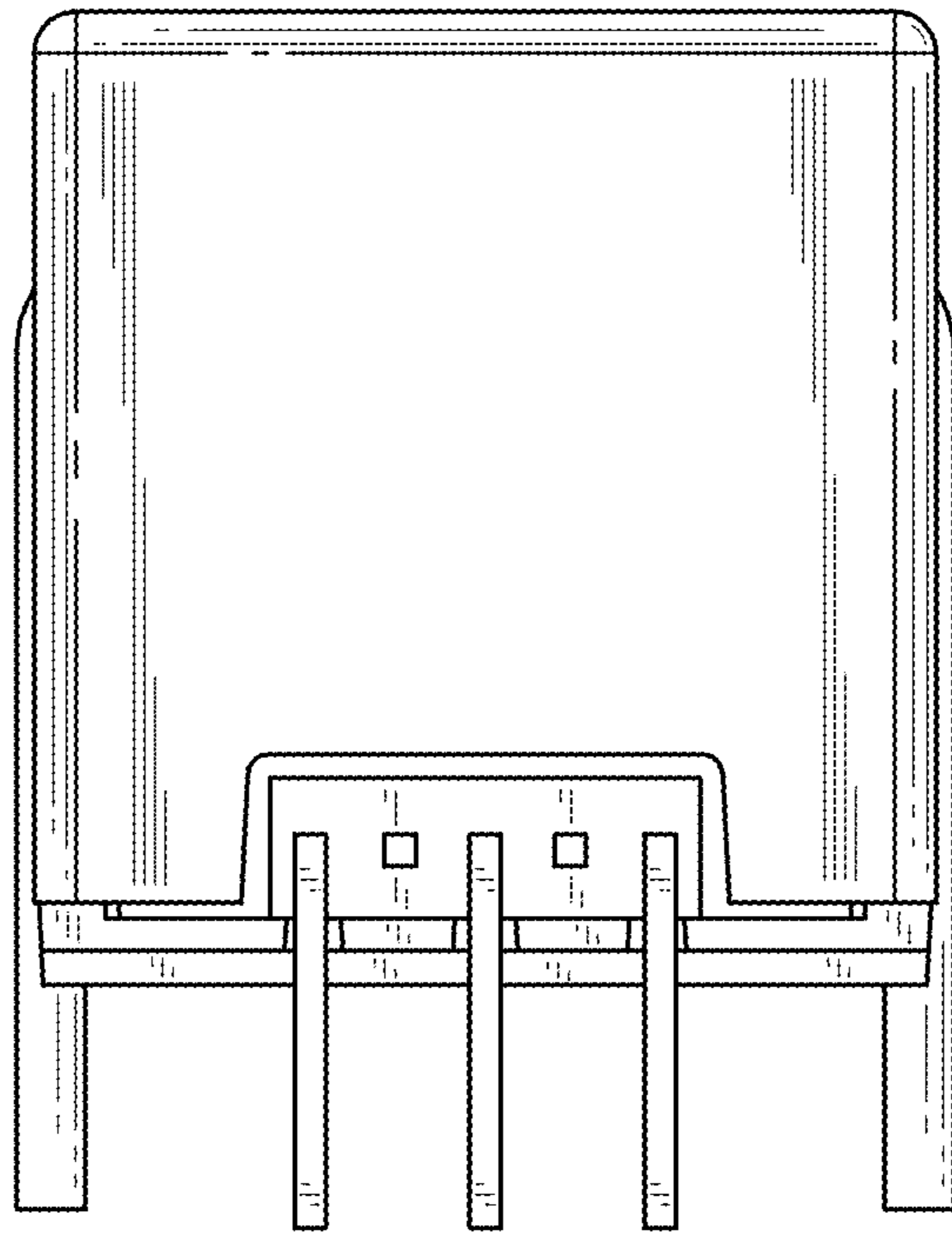


FIG. 5

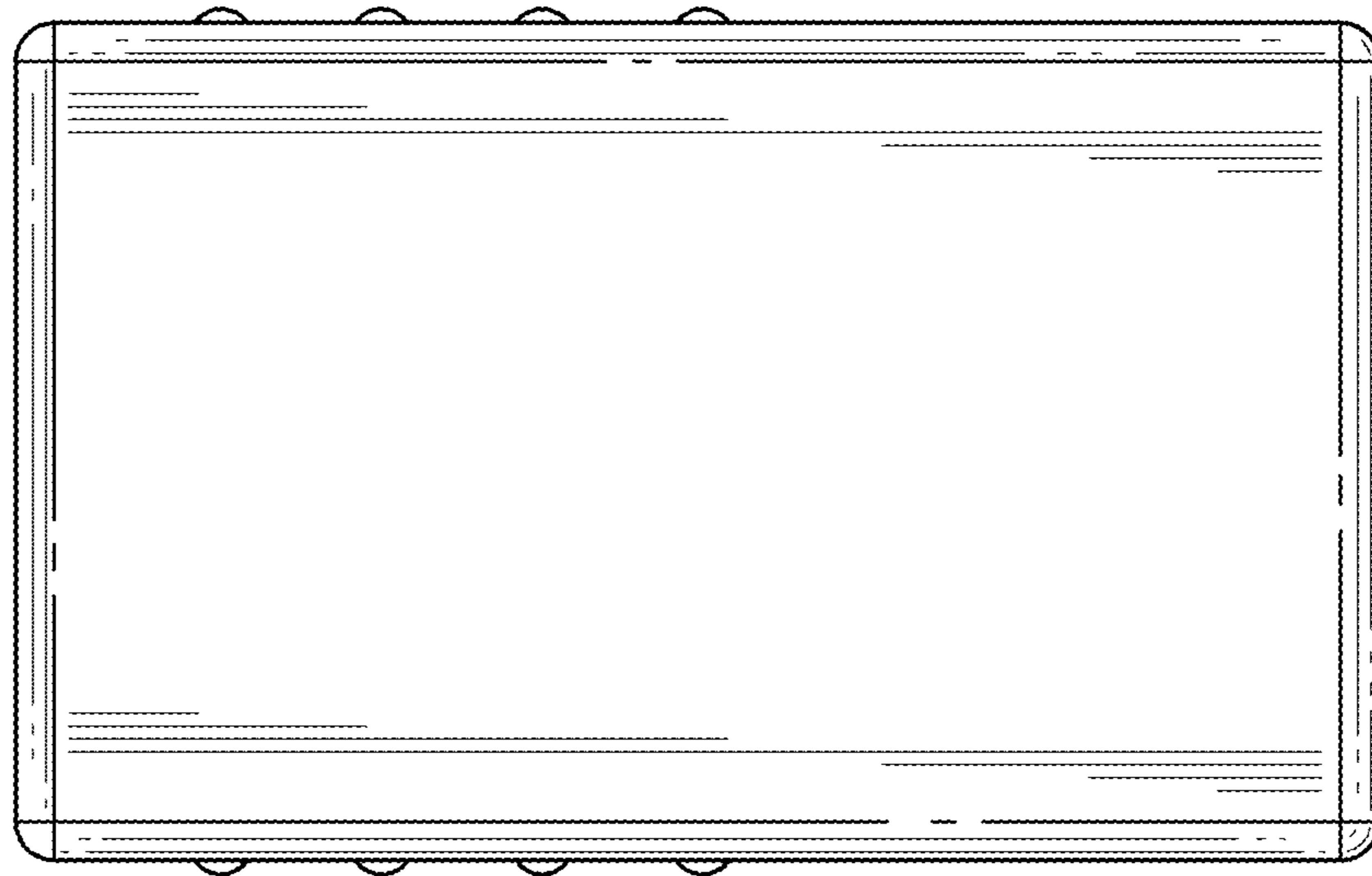


FIG. 6

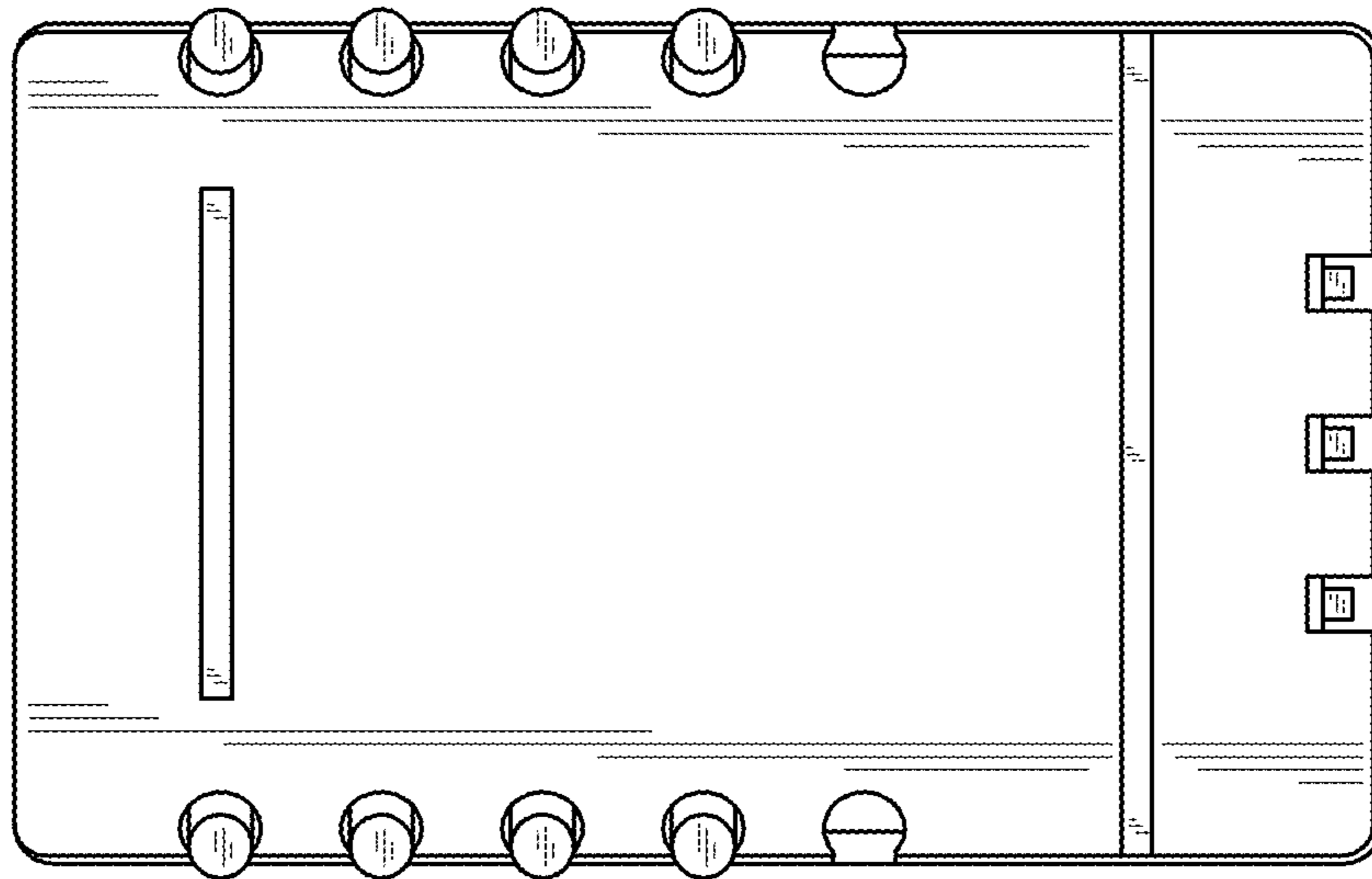


FIG. 7